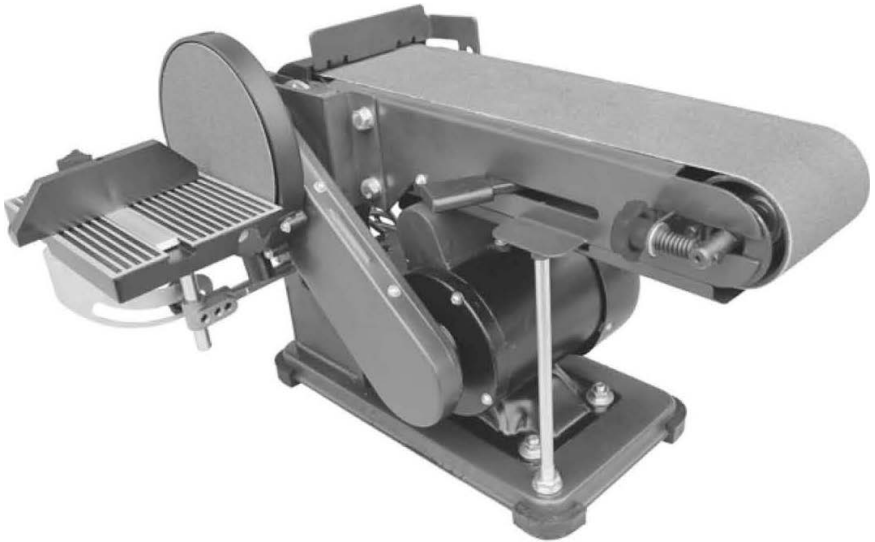




## **DISC SANDER 4" x 36"**

**ITEM # 46001**



## **OWNER'S MANUAL AND SAFETY INSTRUCTIONS**

**SAVE THIS MANUAL. KEEP THIS MANUAL FOR SAFETY WARNINGS, PRECAUTIONS, ASSEMBLY, OPERATION, INSPECTION, MAINTENANCE AND CLEANING PROCEDURES. WRITE THE PRODUCT'S SERIAL NUMBER ON THE BACK OF THE MANUAL, OR THE MONTH AND YEAR OF PURCHASE IF PRODUCT HAS NO SERIAL NUMBER**






**FOR QUESTIONS, PLEASE CALL CUSTOMER SERVICE: 909.628.0880**

# SAFETY WARNINGS

## Table of Contents

Safety .....	2	Maintenance .....	12
Specifications .....	6	Parts List and Diagram .....	14
Setup .....	6	Warranty .....	16
Operation .....	9		

### WARNING SYMBOLS AND DEFINITIONS

	This is the safety alert symbol. It is used to alert you to potential personal injury hazards. Obey all safety messages that follow this symbol to avoid possible injury or death.
	Indicates a hazardous situation which, if not avoided, will result in death or serious injury.
	Indicates a hazardous situation which, if not avoided, could result in death or serious injury.
	Indicates a hazardous situation which, if not avoided, could result in minor or moderate injury.
	Addresses practices not related to personal injury.

## IMPORTANT SAFETY INFORMATION

### General Tool Safety Warnings

#### **WARNING**

Read all safety warnings and instructions.

*Failure to follow the warnings and instructions may result in electric shock, fire and/or serious injury.*

Save all warnings and instructions for future reference.

- KEEP GUARDS IN PLACE** and in working order.
- REMOVE ADJUSTING KEYS AND WRENCHES.**  
Form habit of checking to see that keys and adjusting wrenches are removed from tool before turning it on.
- KEEP WORK AREA CLEAN.**  
Cluttered areas and benches invite accidents.
- DON'T USE IN DANGEROUS ENVIRONMENT.**  
Don't use power tools in damp or wet locations, or expose them to rain. Keep work area well lighted.
- KEEP CHILDREN AWAY.** All visitors should be kept safe distance from work area.
- MAKE WORKSHOP KID PROOF** with padlocks, master switches, or by removing starter keys.
- DON'T FORCE TOOL.** It will do the job better and safer at the rate for which it was designed.
- USE RIGHT TOOL.** Don't force tool or attachment to do a job for which it was not designed.

# SAFETY WARNINGS

**Table A: RECOMMENDED MINIMUM WIRE GAUGE FOR EXTENSION CORDS (120 VOLT)**

NAMEPLATE AMPERES (at full load)	EXTENSION CORD LENGTH			
	25'	50'	100'	150'
0 – 6	18	16	16	14
6.1 – 10	18	16	14	12
10.1 – 12	16	16	14	12
12.1 – 16	14	12	<b>Do not use.</b>	

9. **USE A PROPER EXTENSION CORD.** Make sure your extension cord is in good condition. When using an extension cord, be sure to use one heavy enough to carry the current your product will draw. An undersized cord will cause a drop in line voltage resulting in loss of power and overheating. Table A shows the correct size to use depending on cord length and nameplate ampere rating. If in doubt, use the next heavier gauge. The smaller the gauge number, the heavier the cord.
10. **WEAR PROPER APPAREL.** Do not wear loose clothing, gloves, neckties, rings, bracelets, or other jewelry which may get caught in moving parts. Non-slip footwear is recommended. Wear protective hair covering to contain long hair.
11. **ALWAYS USE SAFETY GLASSES.** Also use face or dust mask if cutting operation is dusty. Everyday eyeglasses only have impact resistant lenses, they are NOT safety glasses.
12. **SECURE WORK.** Use clamps or a vise to hold work when practical. It's safer than using your hand and it frees both hands to operate tool.
13. **DON'T OVERREACH.**  
Keep proper footing and balance at all times.
14. **MAINTAIN TOOLS WITH CARE.** Keep tools sharp and clean for best and safest performance. Follow instructions for lubricating and changing accessories.
15. **DISCONNECT TOOLS** before servicing; when changing accessories, such as blades, bits, cutters, and the like.
16. **REDUCE THE RISK OF UNINTENTIONAL STARTING.** Make sure switch is in off position before plugging in.
17. **USE RECOMMENDED ACCESSORIES.** Consult the owner's manual for recommended accessories. The use of improper accessories may cause risk of injury to persons.
18. **NEVER STAND ON TOOL.**  
Serious injury could occur if the tool is tipped or if the cutting tool is unintentionally contacted.
19. **CHECK DAMAGED PARTS.** Before further use of the tool, a guard or other part that is damaged should be carefully checked to determine that it will operate properly and perform its intended function – check for alignment of moving parts, binding of moving parts, breakage of parts, mounting, and any other conditions that may affect its operation. A guard or other part that is damaged should be properly repaired or replaced.
20. **DIRECTION OF FEED.**  
Feed work into a blade or cutter against the direction of rotation of the blade or cutter only.
21. **NEVER LEAVE TOOL RUNNING UNATTENDED.**  
**TURN POWER OFF.** Don't leave tool until it comes to a complete stop.

# SAFETY WARNINGS

## Grounding Instructions



### **▲WARNING**

**TO PREVENT ELECTRIC SHOCK AND DEATH FROM INCORRECT GROUNDING WIRE CONNECTION READ AND FOLLOW THESE INSTRUCTIONS:**

## 110-120 VAc Grounded Tools: Tools with Three prong plugs

1. In the event of a malfunction or breakdown, grounding provides a path of least resistance for electric current to reduce the risk of electric shock. This tool is equipped with an electric cord having an equipment-grounding conductor and a grounding plug. The plug must be plugged into a matching outlet that is properly installed and grounded in accordance with all local codes and ordinances.
6. Repair or replace damaged or worn cord immediately.

2. Do not modify the plug provided, if it will not fit the outlet, have the proper outlet installed by a qualified electrician.



**125 VAc 3-prong plug and Outlet  
(for up to 125 VAc and up to 15 A)**

3. Improper connection of the equipment-grounding conductor can result in a risk of electric shock. The conductor with insulation having an outer surface that is green with or without yellow stripes is the equipment-grounding conductor. If repair or replacement of the electric cord or plug is necessary, do not connect the equipment-grounding conductor to a live terminal.
4. Check with a qualified electrician or service personnel if the grounding instructions are not completely understood, or if in doubt as to whether the tool is properly grounded.
5. Use only 3-wire extension cords that have 3-prong grounding plugs and 3-pole receptacles that accept the tool's plug.

7. This tool is intended for use on a circuit that has an outlet that looks like the one illustrated above in **125 VAc 3-prong plug and Outlet**. The tool has a grounding plug that looks like the plug illustrated above in **125 VAc 3-prong plug and Outlet**.
8. The outlet must be properly installed and grounded in accordance with all codes and ordinances.
9. Do not use an adapter to connect this tool to a different outlet.

## Sander Safety Warnings

### **For your Own Safety Read Instruction Manual Before Operating Sander**

1. Wear eye protection.
2. Support workpiece with miter gauge, backstop, or worktable.
3. Maintain 1/16 inch maximum clearance between table and sanding belt or disc.
4. Avoid kickback by sanding in accordance with the directional arrows.
5. The backstop is a fence near the surface that helps the operator maintain control of the workpiece and prevents the workpiece from being pulled into the machine. For safety, it must be adjusted very close to the sanding surface.

6. The worktable is the surface mounted close to the sanding surface that the operator rests the workpiece against to prevent it from being pulled adjusted very close to the sanding surface.
7. The sanding belt is designed to rotate down towards the table while the disc rotates both up from the table and down towards the table. Sand on the belt with the workpiece in front of the backstop and/or table. Sand only on the downward moving surface of the disc - sanding on the upward moving surface may result in the workpiece being thrown up and towards the operator.
8. Remove Safety Key when the Switch is turned off. Do not leave the Safety Key in the Switch when the tool is not in use.

# SAFETY WARNINGS

9. **DO NOT OPERATE WITH ANY GUARD DISABLED, DAMAGED, OR REMOVED. Moving guards must move freely and close instantly.**
10. The use of accessories or attachments not recommended by the manufacturer may result in a risk of injury to persons.
11. When servicing use only identical replacement parts.
12. Only use safety equipment that has been approved by an appropriate standards agency. Unapproved safety equipment may not provide adequate protection. Eye protection must be ANSI-approved and breathing protection must be NIOSH-approved for the specific hazards in the work area.
13. Stay alert, watch what you are doing and use common sense when operating a power tool. Do not use a power tool while you are tired or under the influence of drugs, alcohol or medication. A moment of inattention while operating power tools may result in serious personal injury.
14. Industrial applications must follow OSHA guidelines.
15. Maintain labels and nameplates on the tool. These carry important safety information.
16. Avoid unintentional starting. Prepare to begin work before turning on the tool.
17. People with pacemakers should consult their physician(s) before use. Electromagnetic fields in close proximity to heart pacemaker could cause pacemaker interference or pacemaker failure.
18. The warnings, precautions, and instructions discussed in this instruction manual cannot cover all possible conditions and situations that may occur. It must be understood by the operator that common sense and caution are factors which cannot be built into this product, but must be supplied by the operator.

## Vibration Safety

This tool vibrates during use. Repeated or long-term exposure to vibration may cause temporary or permanent physical injury, particularly to the hands, arms and shoulders. To reduce the risk of vibration-related injury:

1. Anyone using vibrating tools regularly or for an extended period should first be examined by a doctor and then have regular medical check-ups to ensure medical problems are not being caused or worsened from use. Pregnant women or people who have impaired blood circulation to the hand, past hand injuries, nervous system disorders, diabetes, or Raynaud's Disease should not use this tool. If you feel any medical or physical symptoms related to vibration (such as tingling, numbness, and white or blue fingers), seek medical advice as soon as possible.

2. Do not smoke during use. Nicotine reduces the blood supply to the hands and fingers, increasing the risk of vibration-related injury.
3. Use tools with the lowest vibration when there is a choice between different processes.
4. Include vibration-free periods each day of work.
5. Grip tool as lightly as possible (while still keeping safe control of it). Let the tool do the work.
6. To reduce vibration, maintain the tool as explained in this manual. If any abnormal vibration occurs, stop use immediately.



**SAVE THESE INSTRUCTIONS.**

## Specifications

Electrical Rating	120VAC / 60Hz / 3.5A
Belt Size	4" W x 36" L
Disc Size	6"
Maximum Speed	1819 RPM (Disc) 1185 FPM (Belt)

## Setup - Before Use:



Read the **ENTIRE IMPORTANT SAFETY INFORMATION** section at the beginning of this manual including all text under subheadings therein before set up or use of this product.

## **WARNING**

**TO PREVENT SERIOUS INJURY FROM ACCIDENTAL OPERATION:**

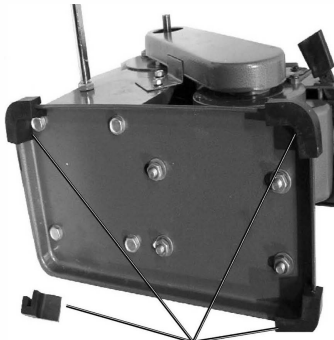
Turn the power Switch of the tool off and unplug the tool from its electrical outlet before performing any procedure in this section.

**Note:** For additional information regarding the parts listed in the following pages, refer to the Assembly Diagram near the end of this manual.

## Assembly/Mounting

### Feet placement

1. Carefully set the Belt/Disc Sander on its side.
2. Press Rubber Feet (28) over the four corner lips of the Base. Refer to Figure A.



Rubber Feet (28)  
Figure A

### Install Disc cover

1. Set the Belt/Disc Sander on its feet.
2. Attach the Disc Cover (8) to the Sander using three M4x8 Screws (7) and Flat Washers (2). Refer to Figure B.

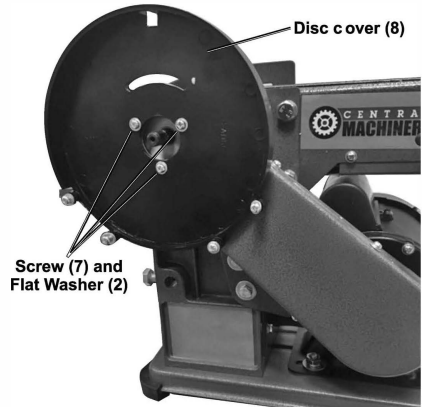


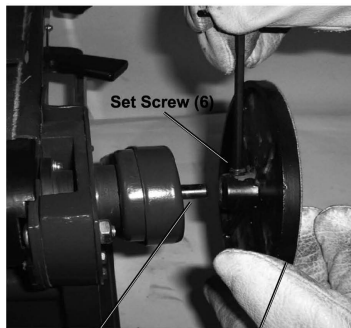
Figure B

## Mounting Backing Disc

1. Slide the Backing Disc (5) onto the Drive Axle (54). The Set Screw (6) must face the flat surface of the Drive Axle. Refer to Figure C.

**Note:** For clarity, installed Disc Cover is not shown.

2. Tighten the Set Screw securely.

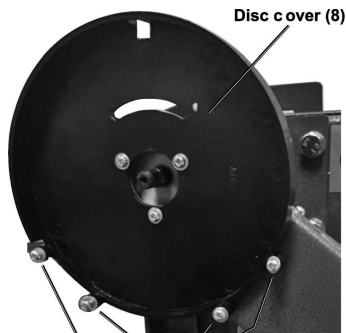


Drive Axle (54)      Backing Disc (5)

Figure c

## Installing the front cover:

1. Remove four M4x12 Screws (1) and Flat Washers (2) from the bottom of the Disc Cover (8). Refer to Figure D.
2. Attach the Front Cover (3) to the Disc Cover using the four M4x12 Screws and Flat Washers. Refer to the completed assembly in Figure E.



Screw (1) and Flat Washer (2)

Figure D

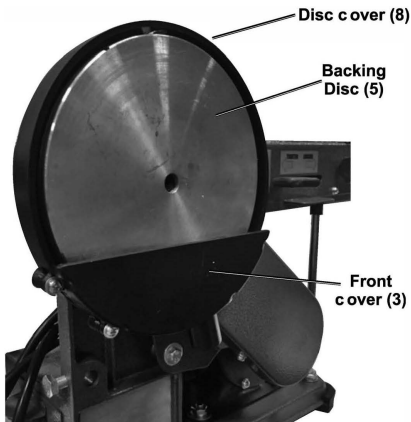


Figure E

# INSTALLATION

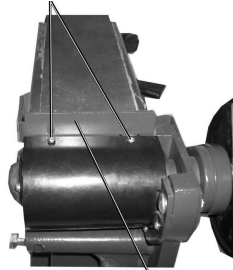
## Mounting Fence

1. The Fence (63) fits across the top of the sanding belt to prevent workpiece from moving to the rear when sanding.
2. Align two Tabs on the Fence with two holes on the top of the Belt End Guard (58). Place Fence tabs underneath the Belt End Guard. Insert two Machine Screws through Flat Washers and into holes. Thread Machine Screws into the Tabs on the Fence.

**Note:** Use Flat Washers between screw heads and Belt End Guard. Refer to Figure F.

3. Bolt the Fence to the Belt Support Housing (52) using M8x16 Bolt (32), Flat Washer (26), and Lock Washer (27).

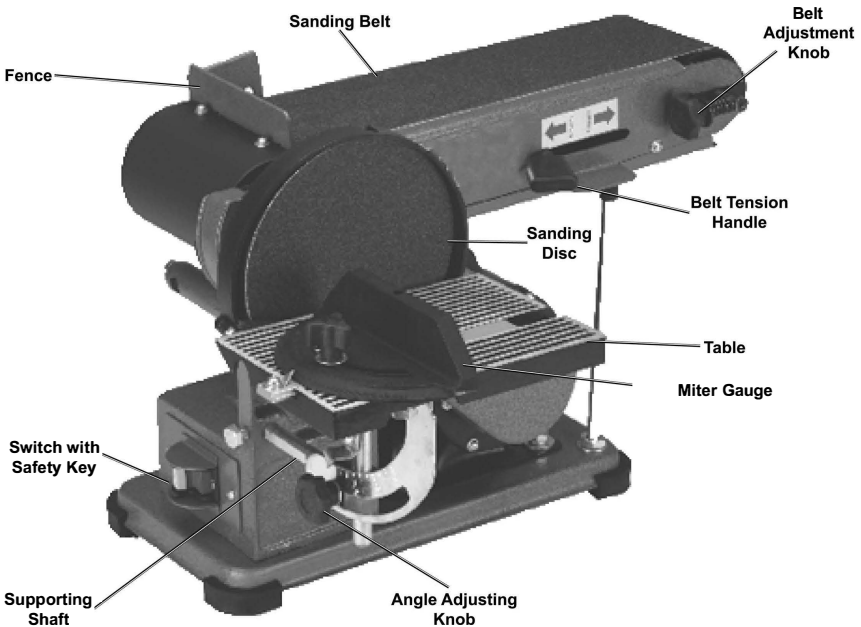
## Machine Screws



**Fence (63)**  
Tabs (not shown) are underneath Belt End Guard (58) where Machine Screws are shown.

**Figure F**

## PARTS INFORMATION



**Figure G**

## Safety Switch

Insert the Safety Key into the Switch. This "Key" is a safety precaution and should remain in the Switch during use and be removed after Switch is turned off and/or any time the Belt/Disc Sander is left unattended or in storage.





Read the **ENTIRE IMPORTANT SAFETY INFORMATION** section at the beginning of this manual including all text under subheadings therein before set up or use of this product.

## Tool Set Up

### ⚠️WARNING

**TO PREVENT SERIOUS INJURY FROM ACCIDENTAL OPERATION:**

Turn the power Switch of the tool off and unplug the tool from its electrical outlet before performing any procedure in this section.

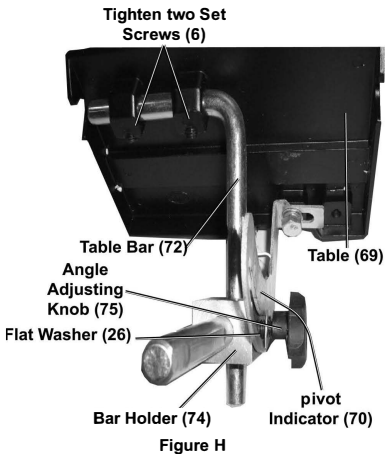
**TO PREVENT SERIOUS INJURY:**

**DO NOT OPERATE WITH ANY GUARD DISABLED, DAMAGED, OR REMOVED.**

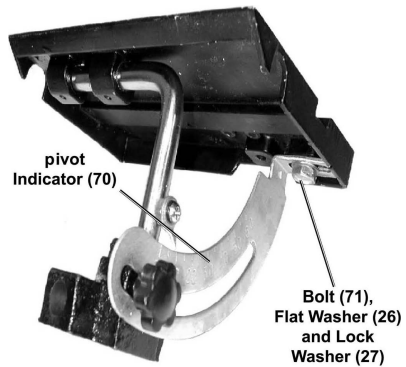
## Mounting Table for Use as Disc Sander

**Note:** The Table (69) may be used as support for both horizontal and vertical applications.

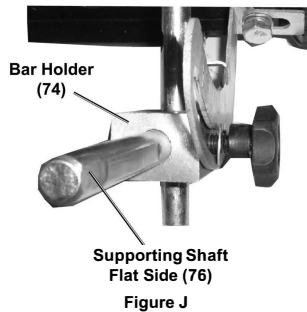
1. Insert the end of Table Bar (72) with Pivot Indicator (70) into the Bar Holder (74). Refer to Figure H.



2. Insert free end of Table Bar into two Mounting Supports on bottom of Table. Tighten the two Set Screws (6). Refer to Figure H.
3. Mount the Pivot Indicator tab to the Table using a M8x10 Hex Bolt (71), Flat Washer (26) and Lock Washer (27). Refer to Figure I.
4. Mount Pivot Indicator to the Bar Holder using the Angle Adjusting Knob (75) and Flat Washer (26). Finger tighten. Refer to Figure H and Figure I.
5. Tighten all fasteners. Make sure the Pivot Indicator operates smoothly when the Angle Adjusting Knob is loosened.



6. Slide the Supporting Shaft (76) into Bar Holder (74). Align the flat face of the Supporting Shaft with Set Screws and tighten securely. Refer to Figure J.
7. Slide the Supporting Shaft (76) into the hole on side of Machine Body (33) and tighten Bolt (32). Refer to Figure G on page 8.



## Mounting Table for Use as Belt Sander

**Note:** The Table (69) may be used for both horizontal and vertical operations.

1. Remove Table from Machine Body (33) by loosening Bolt (32) and sliding Supporting Shaft (76) out.

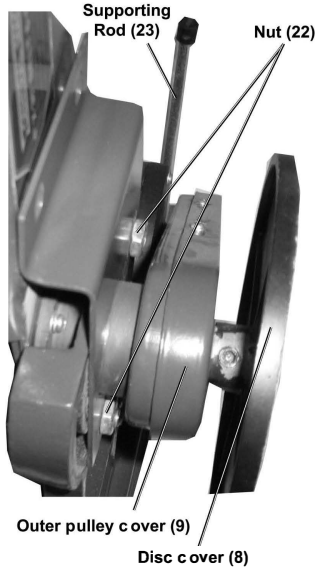


Figure K

2. Set Belt/Disc Sander in vertical position by loosening both Nuts (22). Raise the Belt Support Housing (52). When it is vertical, wrench tighten both Nuts securely to prevent the Belt Support Housing from slipping. Refer to Figure K.
3. Insert Supporting Shaft (76) into the hole facing the belts and tighten Bolt (32) against flat side of Supporting Shaft. Refer to Figure L.

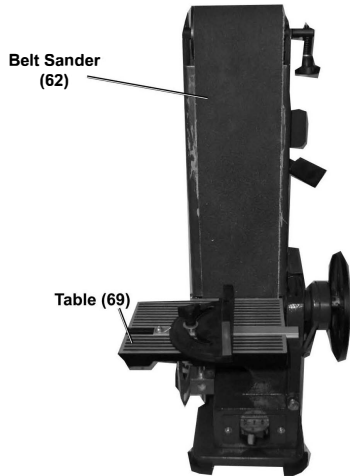


Figure L

## Leveling the Table

**Note:** For these instructions and "General Operating Instructions" on following pages, refer to Figure G on page 8 of this manual.

1. Loosen the Angle Adjusting Knob (75) on the Pivot Indicator (70). Place a combination square (not supplied) on the Table (69) so that the combination square touches the sanding disc. If the Table is 90° to the sanding disc, the table is level. Always maintain a maximum of 1/16" clearance between the Table and the Sanding Disc. Tighten the Angle Adjusting Knob.

## Adjusting the Sanding Belt Tracking

1. With the Belt/Disc Sander turned off, manually move the Sanding Belt.
2. If the belt starts moving to the side of either roller, it needs to be adjusted.

2. If the Table is not 90° to the sanding disc pad, loosen the Angle Adjusting Knob and tilt the Table until it is square with the sanding disc. Tighten the Angle Adjusting Knob.
3. Loosen Screw (29) holding the Angle Pointer (73) and adjust it to point to 90°. Tighten the Screw.
3. Turn the Belt Adjustment Knob (49) until the belt rides the center of the Rear Roller (56) and the Front Roller (44).
4. Move the Sanding Belt manually after adjustment to assure proper alignment.

## **Mounting Sanding Discs**

**Note:** Before using the Sanding Disc the first time, wipe down the Backing Disc with denatured alcohol (shellac thinner). This will clean the surface, leave no residue and assure a secure bond.

1. Remove the Table (69) if it is mounted in front of the Sanding Disc.
2. Peel off old Sanding Disc.
3. Align perimeter of new Sanding Disc over the Backing Disc (5) and press firmly onto the Backing Disc.

## **Workpiece and Work Area Set Up**

---

1. Designate a work area that is clean and well lit. The work area must not allow access by children or pets to prevent distraction and injury.
2. Route the power cord along a safe route to reach the work area without creating a tripping hazard or exposing the power cord to possible damage. The power cord must reach the work area with enough extra length to allow free movement while working.
3. Secure loose workpieces using a vise or clamps (not included) to prevent movement while working.
4. There must not be objects, such as utility lines, nearby that will present a hazard while working.

## **General Operating Instructions**

---

1. Make sure that the Switch is in the off-position, then plug in the tool.
2. Insert Safety Key into Switch.
3. Make sure nothing is contacting the Sanding Disc or Belt, then turn on the Switch.
4. When using the Disc Sander, only use the LEFT side of the Sanding Disc (as you face it) to sand. The Sanding Disc turns counterclockwise and using the right side could cause kickback.
5. Use two hands and hold workpiece securely against the fence/table at all times. Press the workpiece against the belt/disc to start sanding. Keep the workpiece moving for a better finish.
6. After use, turn off the tool, remove the Safety Key from the Switch, and disconnect from the power supply. Clean and store the tool indoors out of children's reach.

## Maintenance and Servicing



procedures not specifically explained in this manual must be performed only by a qualified technician.

### **⚠WARNING**

#### **TO pREVENT SERIOUS INJURY FROM AccIDENTAL OPERATION:**

Turn the power Switch of the tool off and unplug the tool from its electrical outlet before performing any procedure in this section.

#### **TO pREVENT SERIOUS INJURY FROM TOOL FAILURE:**

Do not use damaged equipment. If abnormal noise or vibration occurs, have the problem corrected before further use.

## Cleaning, Maintenance, and Lubrication

- BEFORE EACH USE**, inspect the general condition of the tool. Check for:
  - loose hardware
  - misalignment or binding of moving parts
  - cracked or broken parts
  - damaged electrical wiring
  - any other condition that may affect its safe operation.
- AFTER USE**, turn off the tool, remove the Safety Key from the Switch, and disconnect its power supply. Wipe external surfaces of the tool with clean cloth.
- A Dust Port (59) is located on the bottom of the Lower Guard Plate (60). It is held in place with a Screw (61) and can be removed for vacuuming collected dust and sanding residue. Replace the Dust Port after cleaning and tighten Screw.
- Apply a light coat of paste wax to the Table to make feeding material easier.
- Use compressed air to blow dust and debris from the Sander and Motor.
- The Bearings on this Sander are sealed and do not require lubrication.
- ⚠WARNING! If the supply cord of this power tool is damaged, it must be replaced only by a qualified service technician.**

## Sanding Belt Replacement

---

- Push the Belt Tension Handle (50) forward to loosen the belt.
- Remove Upper Guard Plate (58) by unscrewing four Screws (7).
- Remove the Lower Guard Plate (60) by unscrewing the four Screws (7) that hold it to the Belt Support Housing (52).
- Slide the old Sanding Belt off the Rear Roller (56) and Front Roller (44).
- Replace with a 4"x36" Sanding Belt with the correct grit for the project you are working on. Note: The larger the grit number, the smaller the grain. Use small numbered grits for cutting and larger for smoothing and finishing.
- Slide a new Sanding Belt onto Front and Rear Rollers.
- Replace the Lower Guard Plate and tighten the four Screws securely.
- Replace the Upper Guard Plate and tighten the four Screws.
- Push the Belt Tension Handle to the rear to tighten the belt.
- Before using, manually check the new belt for alignment. See instructions in the "General Operating" section of this manual.

## V-Belt Replacement

1. Remove Set Screws (6) and pull off Backing Disc (5).
2. Remove four Screws (11) and Washers (10) from Outer Pulley Cover (9).
3. Once the Outer Pulley Cover is removed, the V-Belt (12) is accessible.
4. Remove the V-Belt using a flat screwdriver (not supplied). Place the tip of the screwdriver between the Motor Pulley (13) and the V-Belt while turning the V-Belt by hand. As it turns, the V-Belt will ride up and out of the Motor Pulley groove. Once off the Motor Pulley, lift the V-Belt off of the Spindle Pulley (14).
5. Place the new V-Belt (12) onto the Spindle Pulley, by using a flat screwdriver (not supplied) as a wedge. Turn the Spindle Pulley and ride the new V-Belt onto the Motor Pulley.
6. Replace Outer Pulley Cover. Tighten Screws and Washers.


**⚠WARNING!** If the supply cord of this power tool is damaged, it must be replaced only by a qualified service technician.

## V-Belt Tensioning

1. Remove Set Screws (6) and pull off Backing Disc (5).
2. Remove four Screws (11) and Washers (10) from Outer Pulley Cover (9).
3. Loosen four motor mount Nuts (22) and slide the Motor (40) further forward towards Front Roller (44), making sure to pull evenly on the motor. While holding the Motor in its current position, tighten the Nuts.
4. Place a straight edge on the faces of the two pulleys to ascertain alignment. Contact surfaces of the pulleys and the straight edge must fully touch. Fully tighten the Nuts.
5. Replace Outer Pulley Cover and tighten Screws and Washers. Replace Backing Disc and tighten Set Screws.

## Troubleshooting

problem	possible causes	Likely Solutions
Belt/Disc Sander does not turn on	<ol style="list-style-type: none"> <li>1. Not plugged in.</li> <li>2. No power at outlet.</li> <li>3. Safety Key not inserted into Switch.</li> <li>4. Switch is not turned "ON".</li> </ol>	<ol style="list-style-type: none"> <li>1. Plug in Sander.</li> <li>2. Check power at outlet and/or circuit breaker.</li> <li>3. Insert Safety Key into Switch.</li> <li>4. Turn on the Switch.</li> </ol>
Motor slows when sanding	<ol style="list-style-type: none"> <li>1. V-Belt too tight.</li> <li>2. Applying too much pressure while sanding</li> </ol>	<ol style="list-style-type: none"> <li>1. Have the V-Belt adjusted by a qualified technician.</li> <li>2. Use less pressure.</li> </ol>
Wood burns while sanding	<ol style="list-style-type: none"> <li>1. Sanding disc or belt may be loaded with dirt or debris.</li> <li>2. Too much pressure.</li> </ol>	<ol style="list-style-type: none"> <li>1. Clean or replace disc or belt using instructions in this manual.</li> <li>2. Use less pressure.</li> </ol>



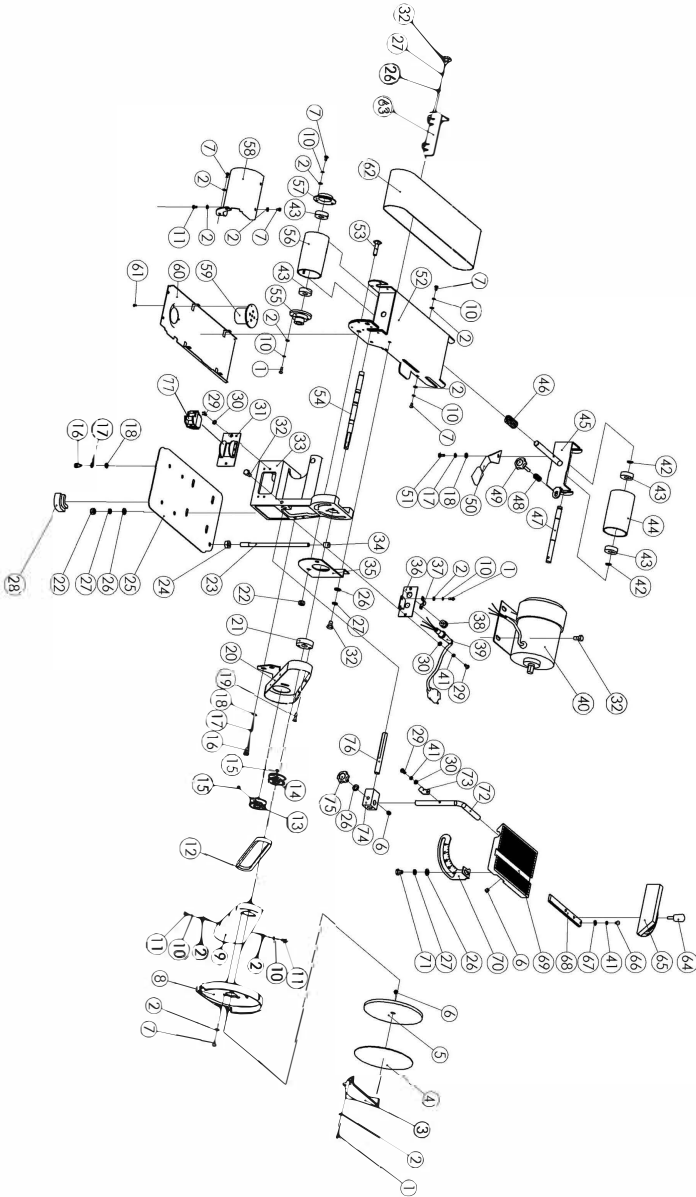
**Follow all safety precautions whenever diagnosing or servicing the tool. Disconnect power supply before service.**

# PARTS INFORMATION

part	Description	Qty
1	Screw M4x12	9
2	Flat Washer	27
3	Front Cover	1
4	Sanding Disc	1
5	Backing Disc	1
6	Screw M8x8	6
7	Screw M4x8	14
8	Disc Cover	1
9	Outer Pulley Cover	1
10	Washer	16
11	Screw M4x8	6
12	V-Belt	1
13	Motor Pulley	1
14	Spindle Pulley	1
15	Screw M8x6	2
16	Bolt M6x12	6
17	Lock Washer	7
18	Flat Washer	7
19	Screw M5x20	3
20	Inner Pulley Cover	1
21	Spacer	1
22	Nut 8	6
23	Supporting Rod	1
24	Nut	1
25	Base	1
26	Flat Washer 8	9
27	Lock Washer 8	8
28	Rubber Foot	4
29	Screw M5x12	5
30	Flat Washer 5	5
31	Switch	1
32	Bolt M8x16	8
33	Housing	1
34	Rubber Pad	1
35	Steel Plate	1
36	Holding Plate	1
37	Cable Fixing Plate	1
38	Grommet	1

part	Description	Qty
39	Power Cord	1
40	Motor	1
41	Washer 5	4
42	Retaining Ring 12	2
43	Ball Bearing	4
44	Front Roller	1
45	Adjusting Bracket	1
46	Spring	1
47	Shaft	1
48	Spring	1
49	Belt Adjustment Knob	1
50	Belt Tension Handle	1
51	Screw M6x12	1
52	Belt Support Housing	1
53	Carriage Bolt M8x35	2
54	Drive Axle	1
55	Bearing Housing	1
56	Rear Roller	1
57	Left Bearing Housing	1
58	Belt End Guard	1
59	Dust Port	1
60	Lower Guard Plate	1
61	Screw	3
62	Sanding Belt	1
63	Fence	1
64	Knob M5x16	1
65	Miter Gauge	1
66	Screw M5x6	1
67	Miter Pointer	1
68	Sliding Bar	1
69	Table	1
70	Pivot Indicator	1
71	Hex Bolt M8x10	1
72	Table Bar	1
73	Angle Pointer	1
74	Bar Holder	1
75	Angle Adjusting Knob	1
76	Supporting Shaft	1

# PARTS INFORMATION



# DISCLAIMER

## PLEASE READ THE FOLLOWING CAREFULLY

THE MANUFACTURER AND/OR DISTRIBUTOR HAS PROVIDED THE PARTS LIST AND ASSEMBLY DIAGRAM IN THIS MANUAL AS A REFERENCE TOOL ONLY. NEITHER THE MANUFACTURER OR DISTRIBUTOR MAKES ANY REPRESENTATION OR WARRANTY OF ANY KIND TO THE BUYER THAT HE OR SHE IS QUALIFIED TO MAKE ANY REPAIRS TO THE PRODUCT, OR THAT HE OR SHE IS QUALIFIED TO REPLACE ANY PARTS OF THE PRODUCT. IN FACT, THE MANUFACTURER AND/OR DISTRIBUTOR EXPRESSLY STATES THAT ALL REPAIRS AND PARTS REPLACEMENTS SHOULD BE UNDERTAKEN BY CERTIFIED AND LICENSED TECHNICIANS, AND NOT BY THE BUYER. THE BUYER ASSUMES ALL RISK AND LIABILITY ARISING OUT OF HIS OR HER REPAIRS TO THE ORIGINAL PRODUCT OR REPLACEMENT PARTS THERETO, OR ARISING OUT OF HIS OR HER INSTALLATION OF REPLACEMENT PARTS THERETO.

**Record Product's Serial Number Here:** \_\_\_\_\_

**Note: If product has no serial number, record month and year of purchase instead.**

**Note: Some parts are listed and shown for illustration purposes only and are not available individually as replacement parts.**

The material in this manual is for informational purposes only. The product(s) it describes are subject to change without prior notice, due to the manufacturer's continuous development program. XtremePowerUS makes no representations or warranties with respect to this manual or with respect to the products described herein. XtremePowerUS shall not be liable for any damages, losses, costs or expenses, direct, indirect or incidental, consequential or special, arising out of, or related to the use of this material or the products described herein.

## Questions, issues or missing parts?

Before returning to your retailer, our customer service team is here to help.



**Call Us: 909.628.0880**

**Email Us: [customer@xtremepowerusa.com](mailto:customer@xtremepowerusa.com)**

**Hours of Operation: 9am - 3pm PST Monday - Friday**

**MADE IN CHINA**