

## 14" POWER CUTTER

ITEM: 50118



### OWNER'S MANUAL AND SAFETY INSTRUCTIONS

SAVE THIS MANUAL: KEEP THIS MANUAL FOR SAFETY WARNINGS, PRECAUTIONS, ASSEMBLY, OPERATING, INSPECTION, MAINTENANCE AND CLEANING PROCEDURES. WRITE THE PRODUCT'S SERIAL NUMBER ON THE BACK OF THE MANUAL NEAR THE ASSEMBLY DIAGRAM (OR MONTH AND YEAR OF PURCHASE IF PRODUCT HAS NO NUMBER).

FOR QUESTIONS PLEASE CALL OUR CUSTOMER SUPPORT: (909) 628 0880 MON-FRI 9AM TO 3PM PST

# IMPORTANT SAFETY INFORMATION

## WARNING

### GENERAL SAFETY WARNINGS

Read all safety warnings and instructions. Failure to follow the warnings and instructions may result in electric shock, fire and/or serious injury. Save all warnings and instructions for future reference.

### SAFETY

---

The warnings, precautions, and instructions discussed in this instruction manual cannot cover all possible conditions and situations that may occur. It must be understood by the operator that common sense and caution are factors which cannot be built into this product, but must be supplied by the operator. Read carefully and understand all ASSEMBLY AND OPERATION INSTRUCTIONS before operating. Failure to follow the safety rules and other basic safety precautions may result in serious personal injury.

- **Read and understand all instructions.** Failure to follow all instructions may result in serious injury or property damage.
- **DO NOT** allow persons to operate or assemble the product until they have read this manual and have developed a thorough understanding of how it works.
- **DO NOT modify this product in any way.** Unauthorized modification may impair the function and/or safety and could affect the life of the product. There are specific applications for which the product was designed.
- **Inspect the work area before each use.** Keep work area clean, dry, free of clutter, and well-lit. Cluttered, wet, or dark work areas can result in injury. Using the product in confined work areas may put you dangerously close to cutting tools and rotating parts.
- **DO NOT use the product where there is a risk of causing a fire or an explosion;** e.g., in the presence of flammable liquids, gases, or dust. The product can create sparks, which may ignite the flammable liquids, gases, or dust.
- **Keep children and bystanders away from the work area while operating the tool. DO NOT** allow children to handle the product.
- Stay alert, watch what you are doing, and use common sense when operating the tool. **DO NOT** use the tool while you are tired or under the influence of drugs, alcohol, or medication.
- **Dress properly. DO NOT** wear loose clothing, dangling objects, or jewelry. Keep your hair, clothing and gloves away from moving parts. Loose clothes, jewelry, or long hair can be caught in moving parts. Air vents on the tool often cover moving parts and should be avoided.
- **Wear the proper personal protective equipment when necessary.** Use ANSI Z87.1 compliant safety goggles (not safety glasses) with side shields, or when needed, a face shield. Use a dust mask in dusty work conditions. Also use non-skid safety shoes, hard-hat, gloves, dust collection systems, and hearing protection when appropriate. This applies to all persons in the work area.
- **DO NOT** operate power tools in explosive atmospheres, such as in the presence of flammable liquids, gases or dust. Power tools create sparks which may ignite the dust or fumes.
- Power tool plugs must match the outlet. Never modify the plug in any way. **DO NOT** use any adapter plugs with earthed (grounded) power tools. Unmodified plugs and matching outlets will reduce risk of electric shock.

# IMPORTANT SAFETY INFORMATION

- Avoid body contact with earthed or grounded surfaces such as pipes, radiators, ranges and refrigerators. There is an increased risk of electric shock if your body is earthed or grounded.
- **DO NOT** expose power tools to rain or wet conditions. Water entering a power tool will increase the risk of electric shock.
- **DO NOT** abuse the cord. Never use the cord for carrying, pulling or unplugging the power tool. Keep cord away from heat, oil, sharp edges or moving parts. Damaged or entangled cords increase the risk of electric shock.
- When operating a power tool outdoors, use an extension cord suitable for outdoor use. Use of a cord suitable for outdoor use reduces the risk of electric shock.
- This product is equipped with a GFCI. ALWAYS use this device whenever using the machine to reduce the risk of shock. ALWAYS position the GFCI as close as possible to the power source. Test and reset the device before each use. Press the "TEST" button to test. Press the RESET button to energize the circuit to the machine.
- Prevent unintentional starting. Ensure the switch is in the off-position before connecting to power source and/or battery pack, picking up or carrying the tool. Carrying power tools with your finger on the switch or energizing power tools that have the switch on invites accidents.
- Remove any adjusting key or wrench before turning the power tool on. A wrench or a key left attached to a rotating part of the power tool may result in personal injury.
- If devices are provided for the connection of dust extraction and collection facilities, ensure these are connected and properly used. Use of dust collection can reduce dust-related hazards.
- **DO NOT** force the power tool. Use the correct power tool for your application. The correct power tool will do the job better and safer at the rate for which it was designed.
- **DO NOT** use the power tool if the switch does not turn it on and off. Any power tool that cannot be controlled with the switch is dangerous and must be repaired.
- Disconnect the plug from the power source and/or the battery pack from the power tool before making any adjustments, changing accessories, or storing power tools. Such preventive safety measures reduce the risk of starting the power tool accidentally.
- Maintain power tools. Check for misalignment or binding of moving parts, breakage of parts and any other condition that may affect the power tool's operation. If damaged, have the power tool repaired before use. Many accidents are caused by poorly maintained power tools.
- Keep cutting tools sharp and clean. Properly maintained cutting tools with sharp cutting edges are less likely to bind and are easier to control.
- Use the power tool, accessories and tool bits etc. in accordance with these instructions, taking into account the working conditions and the work to be performed. Use of the power tool for operations different from those intended could result in a hazardous situation.
- Keep cutting tools sharp and clean. Properly maintained cutting tools with sharp cutting edges are less likely to bind and are easier to control.
- Have your power tool serviced by a qualified repair person using only identical replacement parts. This will ensure that the safety of the power tool is maintained.
- Store idle power tools out of the reach of children and do not allow persons unfamiliar with the power tool or these instructions to operate the power tool. Power tools are dangerous in the hands of untrained users.

# IMPORTANT SAFETY INFORMATION

- **DANGER:** Keep hands away from cutting area and the blade. Keep your second hand on auxiliary handle, or motor housing. If both hands are holding the saw, they cannot be cut by the blade.
- **DO NOT** reach underneath the workpiece. The guard cannot protect you from the blade below the workpiece.
- Adjust the cutting depth to the thickness of the workpiece. Less than a full tooth of the blade teeth should be visible below the workpiece.
- **NEVER** hold piece being cut in your hands or across your leg. Secure the workpiece to a stable platform. It is important to support the work properly to minimize body exposure, blade binding, or loss of control.
- Hold the power tool by insulated gripping surfaces only, when performing an operation where the cutting tool may contact hidden wiring or its own cord. Contact with a "live" wire will also make exposed metal parts of the power tool "live" and could give the operator an electric shock.
- **ALWAYS** use blades with correct size and shape (diamond versus round) of arbour holes. Blades that **DO NOT** match the mounting hardware of the saw will run eccentrically, causing loss of control.
- **NEVER** use damaged or incorrect blade washers or bolt. The blade washers and bolt were specially designed for your saw, for optimum performance and safety of operation.
- Kickback is a sudden reaction to a pinched, bound or misaligned saw blade, causing an uncontrolled saw to lift up and out of the workpiece toward the operator.
- When the blade is pinched or bound tightly by the kerf closing down, the blade stalls and the motor reaction drives the unit rapidly back toward the operator.
- **DO NOT** use dull or damaged blades. Unsharpened or improperly set blades produce narrow kerf causing excessive friction, blade binding and kickback.
- Blade depth and bevel adjusting locking levers must be tight and secure before making cut. If blade adjustment shifts while cutting, it may cause binding and kickback.
- Use extra caution when sawing into existing walls or other blind areas. The protruding blade may cut objects that can cause kickback.
- **ALWAYS** hold the tool firmly with both hands. **NEVER** place your hand, leg or any part of your body under the tool base or behind the saw, especially when making cross-cuts. If kickback occurs, the saw could easily jump backwards over your hand, leading to serious personal injury.
- **NEVER** force the saw. Push the saw forward at a speed so that the blade cuts without slowing. Forcing the saw can cause uneven cuts, loss of accuracy, and possible kickback.

## LOWER GUARD FUNCTION

- Check lower guard for proper closing before each use. **DO NOT** operate the saw if lower guard does not move freely and close instantly. Never clamp or tie the lower guard into the open position. If saw is accidentally dropped, lower guard may be bent. Raise the lower guard with the retracting handle and make sure it moves freely and does not touch the blade or any other part, in all angles and depths of cut.
- Check the operation of the lower guard spring. If the guard and the spring are not operating properly, they must be serviced before use. Lower guard may operate sluggishly due to damaged parts, gummy deposits, or a build-up of debris.

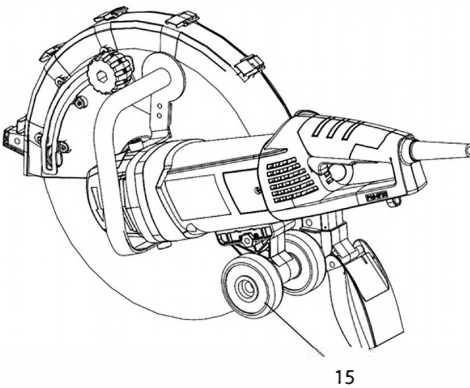
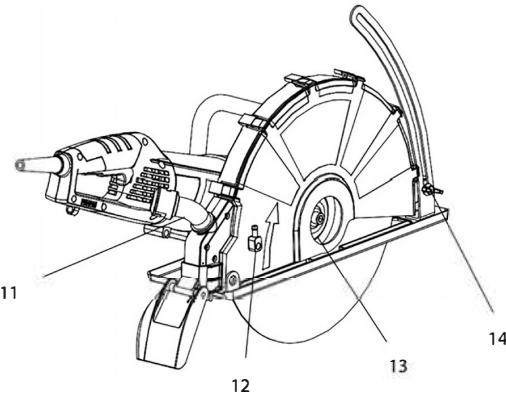
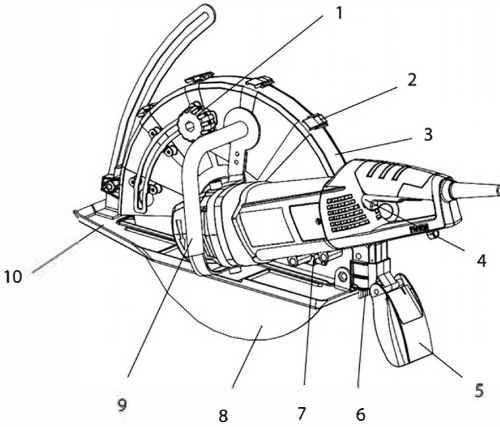
# IMPORTANT SAFETY INFORMATION

- Lower guard may be retracted manually only for special cuts such as "plunge cuts" and "compound cuts". Raise lower guard by retracting handle and as soon as blade enters the material, the lower guard must be released. For all other sawing, the lower guard should operate automatically.
- **ALWAYS** observe that the lower guard is covering the blade before placing saw down on bench or floor. An unprotected, coasting blade will cause the saw to walk backwards, cutting whatever is in its path. Be aware of the time it takes for the blade to stop after switch is released.
- To check lower guard, open lower guard by hand, then release and watch guard closure. Also check to see that retracting handle does not touch tool housing. Leaving blade exposed is **VERY DANGEROUS** and can lead to serious personal injury.
- Use extra caution when cutting damp wood, pressure treated lumber, or wood containing knots. Maintain smooth advancement of tool without decrease in blade speed to avoid overheating the blade tips.
- **DO NOT** attempt to remove cut material when blade is moving. Wait until blade stops before grasping cut material. Blades coast after turn off.
- Avoid cutting nails. Inspect for and remove all nails from lumber before cutting.
- Place the wider portion of the saw base on that part of the workpiece which is solidly supported, not on the section that will fall off when the cut is made. If the workpiece is short or small, clamp it down. **DO NOT TRY TO HOLD SHORT PIECES BY HAND!**
- Before setting the tool down after completing a cut, be sure that the guard has closed and the blade has come to a complete stop.
- **NEVER** attempt to saw with the circular saw held upside down in a vise. This is extremely dangerous and can lead to serious accidents.
- Some material contains chemicals which may be toxic. Take caution to prevent dust inhalation and skin contact. Follow material supplier safety data.
- **DO NOT** stop the blades by lateral pressure on the saw blade.
- **DO NOT** use any abrasive wheels.
- Only use the saw blade with the diameter that is marked on the tool or specified in the manual. Use of an incorrectly sized blade may affect the proper guarding of the blade or guard operation which could result in serious personal injury.
- Keep blade sharp and clean. Gum and wood pitch hardened on blades slows saw and increases potential for kickback. Keep blade clean by first removing it from tool, then cleaning it with gum and pitch remover, hot water or kerosene. Never use gasoline.



**SAVE THESE WARNINGS**

# PARTS DIAGRAM



1. Clamping Nut
2. Toggle Latches
3. Adjustable Wheel Guard
4. Trigger Switch
5. Splash Guard
6. Blade Guard Brush
7. Alternate Feed Nozzle 1
8. Saw Blade
9. Anti-vibration Front handle
10. Base
11. Vacuum port
12. Alternate Feed Nozzle 2
13. Outer/Inner Flange
14. Wing Bolt
15. Guide Roller

# ASSEMBLY

## DESCRIPTION

The machine is equipped with two handles and a blade guard. The motor has overload and overheat protection. It has an integrated water feed system as required for diamond cutting and has a portable residual current device (PRCD) for electrical safety. It is used primarily with diamond blades, but abrasive wheels may also be used with this machine. It is intended for cutting masonry, stone, concrete, reinforced concrete and similar materials. All other uses are prohibited.

## ADJUSTING THE DEPTH OF CUT

Loosen the wing bolt on the depth guide and move the base up or down. At the desired depth of cut, secure the base by tightening the wing bolt. In the case that you adjust the cutting depth to the maximum one, **ALWAYS** be sure to do the adjustment after adjustment of the wheel guard.

## SECURING THE WHEEL GUARD

**CAUTION:** The wheel guard must be adjusted on the tool so that the closed side of the guard always points toward the operator. The wheel guard can be adjusted about 80 degrees, after you loosen the clamping nut. Adjust to the desired angle, then secure the clamping nut.

## SWITCH ACTION

**CAUTION:** Before plugging in the tool, **ALWAYS** check to see that the switch trigger actuates properly and returns to the OFF position when released.

**CAUTION:** Switch can be locked in ON position for ease of operator comfort during extended use. Apply caution when locking the tool in the ON position and maintain a firm grasp on the tool. To start the tool, simply pull the switch trigger. Release the switch trigger to stop. For continuous operation, pull the switch trigger, push in the lock lever and then release the switch trigger. To stop the tool from the locked position, pull the switch trigger fully, then release it.

**DO NOT** pull the switch trigger hard without pressing the lock lever. This can cause switch breakage. To prevent the switch trigger from accidentally being pulled, a lock lever is provided. To start the tool, push in the lock lever and then pull the switch trigger. Release the switch trigger to stop.

## BLADE GUARD BRUSH

There is a removable brush at the rear of the guard to help contain sparks, dust, debris and slurry. To install simply push the brush into the slot in the bottom of the dust port bracket until it clicks into place. This brush may be pulled straight out to replace when worn.

## SPLASH GUARD

the spring-loaded splash guard is useful to help contain slurry which splashes toward the back. To install, simply clip into place on the back of the dust port bracket. To remove, tilt upward to pop free. If the splash guard is not needed, such as when cutting dry, it may be clipped up out of the way. Simply engage the male clip on the flap with the female clip on the mount. Unclip to release.

## WATER CONNECTION

Water is a basic requirement for diamond sawing with wet-type diamond blades. The water serves as a coolant to avoid the working surface of the diamond segments from overheating. When the diamond bit becomes overheated, both the bond matrix and even the diamonds break down, thus destroying the blade. Beside cooling, water also keeps down dust and flushes away abrasive particles.

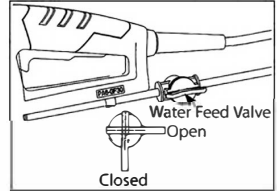
**WARNING: ALWAYS** use the GFCI when operating with water. **NEVER** allow water to enter the motor. It can lead to electric shock.

**WARNING: The maximum water pressure should not exceed 70PSI (4bar).**

# ASSEMBLY

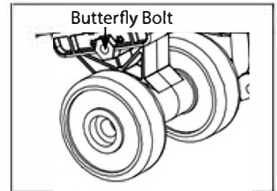
Use a water collector with a wet vacuum to collect cooling water if nearby objects could be damaged by water. The water feed system is built into the machine. To connect with the water supply, first pull the quick-release collar to remove the female side of the water coupling. Then unscrew the nut and engage the coupling to the water hose. Now reconnect the water coupling to the male water feed valve. Press it until it clicks. The water flow is controlled by the water feed valve. The water to the blade may be finely adjusted to the required amount and no more.

**NOTE:** Contaminants in the water supply can easily plug up the fine water nozzles in the blade guard. Ensure that the supply water is clean. If you find that there is no water flow to the blade, then clean out the water feed system on the machine.



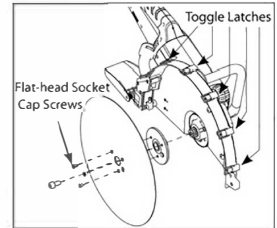
## GUIDE ROLLER ASSEMBLY

The guide rollers make it easier to keep the blade plane perpendicular to the workpiece. To install, slacken the butterfly bolt slightly and engage the four claws with the four eyelets on the bottom of the motor housing, then tighten the butterfly bolt. Note that roller assembly is offset to one side to avoid contacting the blade, so it may only be installed in one orientation. If it is not needed, the guide roller assembly may be removed and set aside.



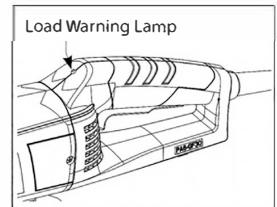
## FLUSH CUTTING KIT INSTRUCTIONS (OPTIONAL)

The flush cutting kit enables a flush cut blade (not included) to be mounted to the machine which allows flush cuts to be made while the outer blade guard is temporarily removed. The flush cut blade may be left in place and the operator may return to standard cutting simply by replacing the outer blade guard and securing with the 4 toggle latches. In this way, it is quick and convenient to switch between standard and flush cutting mode. Or if desired, the flush cutting blade and flange may be removed and the machine returned to the standard configuration.



## OVERLOAD PROTECTION, OVERHEAT PROTECTION

When full load is reached, the load warning lamp will flash red. If full load is exceeded and sustained for too long, the motor will shut down and the load warning lamp will glow solid red. In this case, the motor must be first shut off and then restarted. When this happens, the motor will very likely be near overheating, so it is also a good idea to run the motor at no load for a few minutes to cool it before continuing.



## OVERHEAT THERMAL PROTECTION

If the temperature of the motor gets too high, the thermal protection will shut the motor down. The switch must be first shut off and then restarted. When this happens, do not immediately start cutting after restarting the motor. Always run the machine at no load for a few minutes to return to a normal operating temperature before continuing.

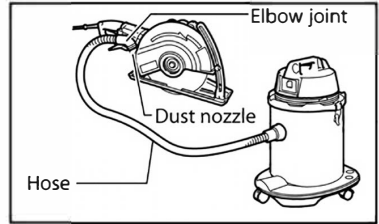
**CAUTION:** The motor will be damaged if it is repeatedly overloaded or overheated. Always cool the motor by running at no load for a few minutes whenever it stops from either overheat or overload.



# ASSEMBLY and OPERATION

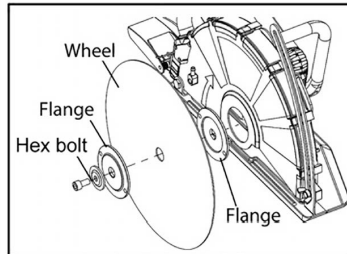
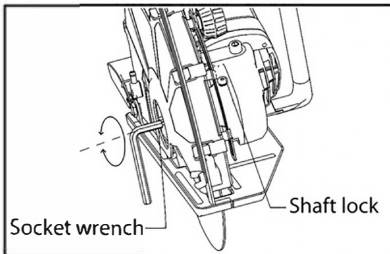
## CONNECTING TO VACUUM CLEANER

When you wish to perform cleaner operation, connect a vacuum cleaner to your tool. Connect a hose of vacuum cleaner to the dust nozzle via an elbow joint (accessory).



## INSTALLING OR REMOVING THE WHEEL

To remove the wheel, depress the shaft lock to hold the shaft stationary, then loosen the hex bolt clockwise with the socket wrench. To install a wheel, place flange with its partly elevated side facing the tool, and then place ring before installing a wheel onto the spindle (shaft) and another flange with partly elevated side facing outward. Be sure to fully tighten the hex bolt counterclockwise after mounting the new wheel, or operation will be dangerous.

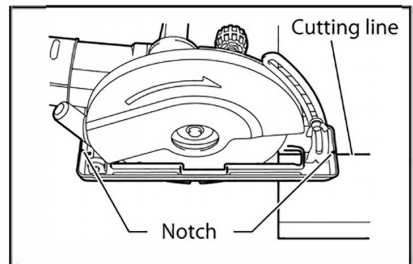


## OPERATION

**CAUTION:** Be sure to pull the tool when cutting a workpiece.

- This tool should only be used on horizontal surfaces.
- Use this tool for straight line cutting only. Cutting curves can cause stress cracks or fragmentation of the diamond wheel and abrasive cut-off wheel resulting in possible injury to persons in the vicinity.
- After operation, always switch off the tool and wait until the wheel has come to a complete stop before putting the tool down.
- When cutting concrete blocks, tiles or masonry materials, do not make a cut in depth more than 60 mm (2-3/8"). When you need to cut a workpiece over 60 mm (2-3/8") up to 100 mm (4"), make more than two passes of cuts. The depth of the most efficient cut is about 40 mm (1-9/16").

Hold the tool firmly with both hands. First keep the wheel without making any contact with a workpiece to be cut. Then turn the tool on and wait until the wheel attains full speed. The cut is made by pulling the tool toward you (not by pushing away from you). Align the notch on the base with your cutting line when performing a cut. Switch off the tool on the position posed when finishing a cut. Raise the tool after the wheel comes to a complete stop.



# MAINTENANCE

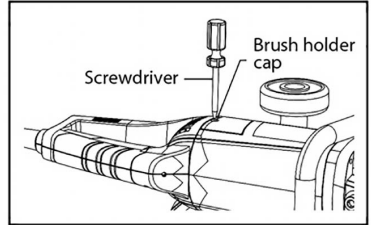
**CAUTION: ALWAYS** be sure that the tool is switched off and unplugged before attempting to perform inspection or maintenance. **NEVER** use gasoline, benzine, thinner, alcohol or the like. Discoloration, deformation or cracks may result.

## INSTALLING OR REMOVING THE WHEEL

If the cutting action of the diamond wheel begins to diminish, use an old discarded coarse grit bench grinder wheel or concrete block to dress the diamond wheel. To do this, tightly secure the bench grinder wheel or concrete block and cut in it.

## REPLACING CARBON BRUSHES

Use a screwdriver to remove the brush holder caps. Take out the worn carbon brushes, insert the new ones and secure the brush holder caps. To maintain product SAFETY and RELIABILITY, repairs, any other maintenance or adjustment should be performed by Factory Service Centers, always using FACTORY replacement parts.



## TECHNICAL DATA

ITEM	50118
POWER	15A
VOLTAGE	120V/60Hz
NO LOAD SPEED	4300RPM
CUTTING DISC DIAMETER	14"
MAX CUTTING DEPTH	5"



**! SAVE THESE INSTRUCTIONS**

# EXPLODER DRAWING



# PART LIST

No.	English description	Qty	No.	English description	Qty
1	Screw M4*10	3	52	Screw nut M8	1
2	Single channel spout	2	53	Front handle assembly (iron pipe + black hose)	1
3	Shield cover	1			
4	screw M10*20	1	54	Screw setM5*10	2
5	Small plate	1	55	Front handle support1	1
6	upper plate	1	56	Round screw M10*20	2
7	Saw blade ferrule	1	57	Gear box	1
8	Blade	1	58	Middle cover	1
9	Lower plate	1	59	Anti-wind ring	1
10	Screw M5*12	3	60	Small gear	1
11	Shield press cover	1	61	Rectangular circle 35*1.5	1
12	screw ST4*25(flat)	4	62	Bearing 6202RSF	1
13	Vacuum tube fixing buckle 2	1	63	Anti-dust piece2	1
14	Vacuum tube fixing hook spring black	1	64	Rotor	1
15	Connect pin	1	65	Creepage ring	1
16	fender	1	66	Bearing 629/RST	1
17	Fender hook spring	1	67	Bearing sleeve	1
18	Fender spring	1	68	Screw ST5*80-F	2
19	Fender connection buckle	1	69	Stator	1
20	brush	1	70	Housing	1
21	Vacuum pipe plug	1	71	Brush holder	2
22	Vacuum pipe	1	72	Screw ST4*10-F	4
23	double channel spout	1	73	Carbon Brush	1
24	Vacuum tube fixing buckle 1	1	74	Brush cover	2
25	Shield	1	75	Screw ST4*10-F	4
26	Trigger assembly	6	76	Coil spring	1
27	Output shaft	1	77	Screw Nut	1
28	semi-cicular key 4*13	1	78	Roller bracket 2	1
29	Anti-dust cover	1	79	Soft start	1
30	Friction plate	1	80	Roller bracket 1	1
31	Screw set M5*22	4	81	Hex Bolts M6*50	1
32	Front cover	1	82	Roller (3 inches)	2
33	Anti-dust piece 1	1	83	Washer 8*16*1	4
34	Bearing 6004/2RS	1	84	Roller shaft	1
35	Output shaft spacer	1	85	Circlip for shaft φ8	2
36	Self-lock pin	1	86	Screw ST4*50	2
37	O ring 5*2	1	87	Screw ST4*16-F	6
38	Self-lock pin spring	1	88	Right handle	1
39	Self-lock pin cap	1	89	Switch	1
40	Bearing press cover	1	90	Capacitor	1
41	Screw set M5*12	3	91	Left handle	1
42	Rubber ring 2*88	1	92	Cable	1
43	Big gear	1	93	PRCD	1
44	Shaft retaining ring φ20	1	94	Cable sleeve	1
45	Bearing 6000Z	1	95	Press plate	1
46	Rubber column	1	96	Bolts M8*16	1
47	Screw ST5*50	3	97	Washer 8	1
48	Screw M8*25	1	98	Bottle plate	1
49	Rotate ruler	1	99	Screw M8*15	2
50	Screw M5*12	6	100	Screw M6*12	2
51	Hand wheel	1	101	Wrench	1

# DISCLAIMER

## PLEASE READ THE FOLLOWING CAREFULLY

THE MANUFACTURER AND/OR DISTRIBUTOR HAS PROVIDED THE PARTS LIST AND ASSEMBLY DIAGRAM IN THIS MANUAL AS A REFERENCE TOOL ONLY. NEITHER THE MANUFACTURER OR DISTRIBUTOR MAKES ANY REPRESENTATION OR WARRANTY OF ANY KIND TO THE BUYER THAT HE OR SHE IS QUALIFIED TO MAKE ANY REPAIRS TO THE PRODUCT, OR THAT HE OR SHE IS QUALIFIED TO REPLACE ANY PARTS OF THE PRODUCT. IN FACT, THE MANUFACTURER AND/OR DISTRIBUTOR EXPRESSLY STATES THAT ALL REPAIRS AND PARTS REPLACEMENTS SHOULD BE UNDERTAKEN BY CERTIFIED AND LICENSED TECHNICIANS, AND NOT BY THE BUYER. THE BUYER ASSUMES ALL RISK AND LIABILITY ARISING OUT OF HIS OR HER REPAIRS TO THE ORIGINAL PRODUCT OR REPLACEMENT PARTS THERETO, OR ARISING OUT OF HIS OR HER INSTALLATION OF REPLACEMENT PARTS THERETO.

**Record Product's Serial Number Here:** \_\_\_\_\_

**Note:** If product has no serial number, record month and year of purchase instead.

**Note:** Some parts are listed and shown for illustration purposes only and are not available individually as replacement parts.

The material in this manual is for informational purposes only. The product(s) it describes are subject to change without prior notice, due to the manufacturer's continuous development program. XtremePowerUS makes no representations or warranties with respect to this manual or with respect to the products described herein. XtremePowerUS shall not be liable for any damages, losses, costs or expenses, direct, indirect or incidental, consequential or special, arising out of, or related to the use of this material or the products described herein.

### Questions, issues or missing parts?

Before returning to your retailer, our customer service team is here to help.



Call Us: 909.628.0880

Email Us: [customer@xtremepowerusa.com](mailto:customer@xtremepowerusa.com)

Hours of Operation: 9am - 3pm PST Monday - Friday