



## 5T HYDRAULIC CAR RAMP

ITEM # 50525



## OWNER'S MANUAL AND SAFETY INSTRUCTIONS

SAVE THIS MANUAL. KEEP THIS MANUAL FOR SAFETY WARNINGS, PRECAUTIONS, ASSEMBLY, OPERATION, INSPECTION, MAINTENANCE AND CLEANING PROCEDURES. WRITE THE PRODUCT'S SERIAL NUMBER ON THE BACK OF THE MANUAL, OR THE MONTH AND YEAR OF PURCHASE IF PRODUCT HAS NO SERIAL NUMBER

FOR QUESTIONS, PLEASE CALL CUSTOMER SERVICE: 909.628.4900

# SAFETY WARNINGS

## **WARNING**

Read all safety warnings and instructions. Failure to follow the warnings and instructions may result in injury and/or property damage. Save all warnings and instructions for future reference.

The warning and safety instructions in this manual are not meant to cover all possible conditions and situations that may occur. Common sense, caution and care must be exercised when operating or cleaning tools and equipment. Always contact your dealer, distributor, service agent or manufacturer about problems or conditions you do not understand before operating the product.

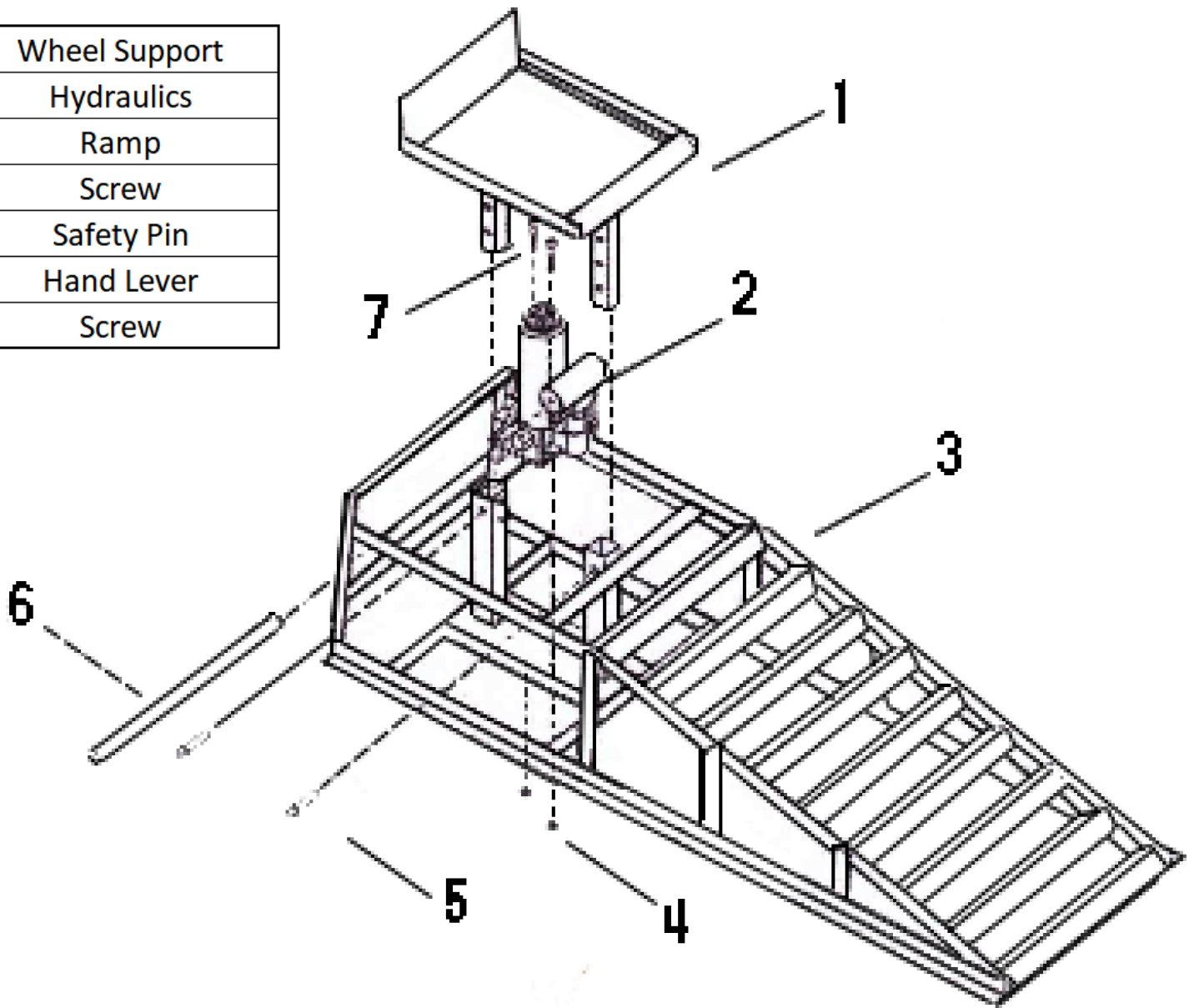
Do not attempt to use this lift if you have never been trained on basic automotive lift procedures. Never attempt to lift components without proper lifting tools such as forklift or cranes. Stay clear of any moving parts that can fall and cause injury. These instructions must be followed to insure proper installation and operation of your lift. Failure to comply with these instructions can result in serious bodily harm and void product warranty. Manufacturer will assume no liability for loss or damage of any kind, expressed or implied resulting from improper installation or use of this product.

- For safety, this product is limited to use for vehicles of less than 2 tons.
- Drive the vehicle to the level road parking place the ramp in from of the front wheel and the central position of the front wheels.
- Only experinced drivers and operators should use the adjustable car lift.
- Please make sure that the wheels are running in the middle of the ramp.
- After the vehicle is parked to the ramp, please remember to pull the handbrake, to avoid the harm caused by the shaking of the vehicle.
- You can place the retaining device at the rear wheels to prevent the vehicle backward.
- Do not use when the product is found to have damage, bending and other factors that affect the safety.
- **CHECK FOR DAMAGED PARTS.** Check for alignment of moving parts, breakage of parts or any condition that may affect its operation. Do not use lift if any component is broken or damaged.
- This product is suitable for the use of vehicles close to the angle greater than 17 degrees.
- No more than 4400lbs maximum load weight at a time.
- Be sure to safely stop the vehicle and fixed hydraulic drive on ramp.
- Visually inspect the site where the lift is to be installed and check for cracked or defective concrete.

**SAVE THESE WARNINGS.**

# PARTS AND MAINTENANCE

1	Wheel Support
2	Hydraulics
3	Ramp
4	Screw
5	Safety Pin
6	Hand Lever
7	Screw



## MAINTENANCE

1. Regularly check whether the Hydraulic drive-on ramp deformation and cracks.
2. Clean pollution of any kind on the Hydraulic drive-on ramp after each use such as Oil stains, etc.
3. Regularly check whether all the screws are loose and reinforce the screws.

# DISCLAIMER

## PLEASE READ THE FOLLOWING CAREFULLY

THE MANUFACTURER AND/OR DISTRIBUTOR HAS PROVIDED THE PARTS LIST AND ASSEMBLY DIAGRAM IN THIS MANUAL AS A REFERENCE TOOL ONLY. NEITHER THE MANUFACTURER OR DISTRIBUTOR MAKES ANY REPRESENTATION OR WARRANTY OF ANY KIND TO THE BUYER THAT HE OR SHE IS QUALIFIED TO MAKE ANY REPAIRS TO THE PRODUCT, OR THAT HE OR SHE IS QUALIFIED TO REPLACE ANY PARTS OF THE PRODUCT. IN FACT, THE MANUFACTURER AND/OR DISTRIBUTOR EXPRESSLY STATES THAT ALL REPAIRS AND PARTS REPLACEMENTS SHOULD BE UNDERTAKEN BY CERTIFIED AND LICENSED TECHNICIANS, AND NOT BY THE BUYER. THE BUYER ASSUMES ALL RISK AND LIABILITY ARISING OUT OF HIS OR HER REPAIRS TO THE ORIGINAL PRODUCT OR REPLACEMENT PARTS THERETO, OR ARISING OUT OF HIS OR HER INSTALLATION OF REPLACEMENT PARTS THERETO.

**Record Product's Serial Number Here:** \_\_\_\_\_

**Note: If product has no serial number, record month and year of purchase instead.**

**Note: Some parts are listed and shown for illustration purposes only and are not available individually as replacement parts.**

The material in this manual is for informational purposes only. The product(s) it describes are subject to change without prior notice, due to the manufacturer's continuous development program. XtremePowerUS makes no representations or warranties with respect to this manual or with respect to the products described herein. XtremePowerUS shall not be liable for any damages, losses, costs or expenses, direct, indirect or incidental, consequential or special, arising out of, or related to the use of this material or the products described herein.

## Questions, issues or missing parts?

Before returning to your retailer, our customer service team is here to help.



**Call Us: 909.628.4900**

**Email Us: [info@starktoolsusa.com](mailto:info@starktoolsusa.com)**

**Hours of Operation: 9am - 3pm PST Monday - Friday**

**MADE IN CHINA**