



12 TON HYDRUALIC FLOOR PRESS

ITEM #56030



OWNER'S MANUAL AND SAFETY INSTRUCTIONS

SAVE THIS MANUAL: KEEP THIS MANUAL FOR SAFETY WARNINGS, PRECAUTIONS, ASSEMBLY, OPERATING, INSPECTION, MAINTENANCE AND CLEANING PROCEDURES. WRITE THE PRODUCT'S SERIAL NUMBER ON THE BACK OF THE MANUAL NEAR THE ASSEMBLY DIAGRAM (OR MONTH AND YEAR OF PURCHASE IF PRODUCT HAS NO NUMBER).

FOR QUESTIONS PLEASE CALL OUR CUSTOMER SUPPORT: (909) 628 4900 MON-FRI 9AM TO 3PM PST

IMPORTANT SAFETY INFORMATION



GENERAL SAFETY WARNINGS

Read all safety warnings and instructions. Failure to follow the warnings and instructions may result in electric shock, fire and/or serious injury. Save all warnings and instructions for future reference.

SAFETY

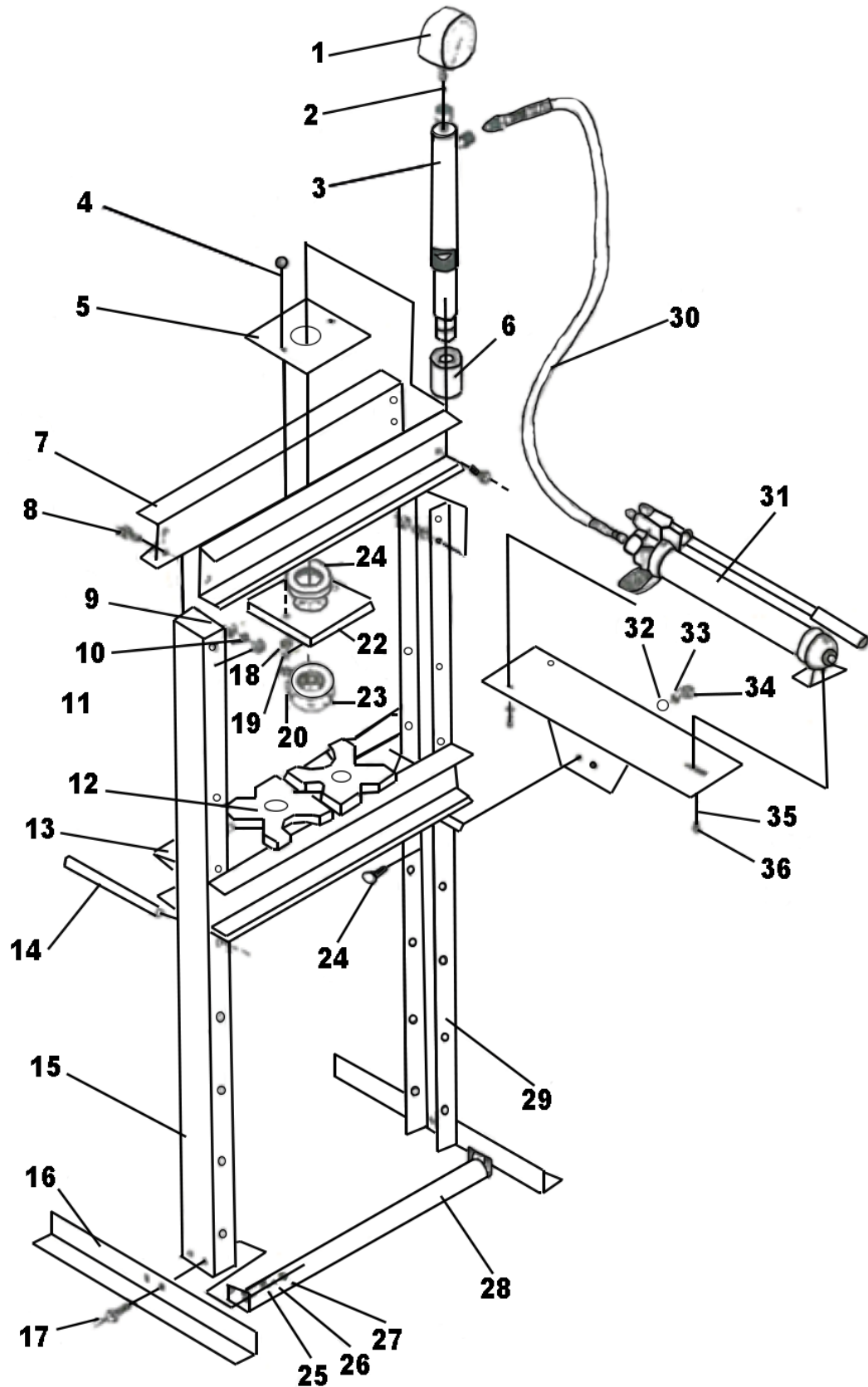
The warnings, precautions, and instructions discussed in this instruction manual cannot cover all possible conditions and situations that may occur. It must be understood by the operator that common sense and caution are factors which cannot be built into this product, but must be supplied by the operator. Read carefully and understand all ASSEMBLY AND OPERATION INSTRUCTIONS before operating. Failure to follow the safety rules and other basic safety precautions may result in serious personal injury.

- **Read and understand all instructions.** Failure to follow all instructions may result in serious injury or property damage.
- **DO NOT** allow persons to operate or assemble the product until they have read this manual and have developed a thorough understanding of how it works.
- **DO NOT modify this product in any way.** Unauthorized modification may impair the function and/or safety and could affect the life of the product. There are specific applications for which the product was designed.
- **Use the right tool for the job. DO NOT** attempt to force small equipment to do the work of larger industrial equipment. There are certain applications for which this equipment was designed. This product will be safer and do a better job at the capacity for which it was intended. **DO NOT** use this equipment for a purpose for which it was not intended.
- **Keep children and bystanders away from the work area while operating the tool. DO NOT** allow children to handle the product.
- Dress properly. **DO NOT** wear loose clothing or jewelry. Keep your hair, clothing and gloves away from moving parts. Loose clothes, jewelry or long hair can be caught in moving parts.
- Wear ANSI approved safety goggles and heavy duty work gloves during use and service.
- **DO NOT** overreach. Keep proper footing at all times.

 **SAVE THESE WARNINGS**

PRODUCT INFORMATION

DESCRIPTION	QTY
1 Pressure Gauge	1
2 Nylon Ring	1
3 Ram	1
4 Bolt M10x140	2
5 Upper Plate	1
6 Serrated Saddle	1
7 Crossbeam	2
8 Bolt M12x35	8
9 Washer Φ 12	8
10 Lock Washer Φ 12	8
11 Nut M12	8
12 Pad Plate	2
13 Press Platform	1
14 Rod	2
15 Left Post	1
16 Steel Angle	2
17 Bolt M12x30	4
18 Washer Φ 10	2
19 Lock Washer Φ 10	2
20 Nut M10	2
21 Upper Round Nut	1
22 Upper Plate	1
23 Under Round Nut	1
24 Bolt M12x30	2
25 Washer Φ 12	4
26 Lock Washer Φ 12	4
27 Nut M12	4
28 Spreader	1
29 Right Post	1
30 Hydraulic Hose	1
31 Pump	1
32 Washer Φ 12	2
33 Lock Washer Φ 12	2
34 Nut M12	2
35 Washer Φ 8	3
36 Bolt M8x15	3



SPECIFICATIONS

Capacity Max Working Distance Min Working Distance

12 Tons	29.52"	1.18"
---------	--------	-------

Stroke Packing Size Net Weight

4.92"	53x8.85x5.90 inches	115lbs
-------	---------------------	--------

OPERATION

1. This shop press comes with two arbor plates. The arbor plates can be used individually or connected.
2. To set the aprons at a specific height, slide the two pins through opposite adjustment holes on the press frame legs and secure in place using the two R-clips.
3. Place the arbor plate onto the press apron, making sure to center it on the press apron.

WARNING: If the arbor plates rest on an obstruction (such as bolts, debris, etc) an uneven base can be created. This can lead to unusual stress on the arbor plates and possibly a break and/or personal injury.

4. Insert the narrower jack handle (the end with a pin) into the larger handle and engage the pin into the "T" slot.
5. Using the slotted end of the jack handle. Tighten (turn clockwise) the relief valve of the jack.
6. Insert the larger tube of the jack handle into the jack handle connector located to the side of the jack.
7. Pump the handle up and down to extend the jack and operate the press.

WARNING: Should you detect any kind of structural failure, stop using the press immediately. If necessary, have the unit repaired by a qualified technician.

8. When finished, remove the jack handle from the jack handle connector and loosen (turn counter-clockwise) the relief valve of the jack.

BLEEDING

1. Remove the oil fill plug located on the back of the jack to expose the oil fill hole.
2. Open the release valve located on the front of the jack. Insert the jack handle into the pump core. Slowly pump the handle to force the air out of the oil fill hole.
3. As soon as the oil starts to come out of the hole, stop pumping. Replace the oil fill plug and close the release valve.
4. Check the oil level. It must be just below the oil fill hole. If necessary, fill with high quality hydraulic oil.

MAINTENANCE

CAUTION: ALWAYS release load from the shop press before performing any inspections, maintenance or cleaning.

1. Before each use, inspect the general condition of the press. Check for structural failure, loose, cracked, bent or damaged parts, misalignment or binding of moving parts and any other condition that may affect its safe operation. DO NOT use damaged equipment.
2. To prevent rust, coat all exposed areas with a lightweight oil.
3. ALWAYS keep the arbor plates and the press apron area clean and free of oil and other lubricants.
4. To clean, always clean with a clean, damp cloth. DO NOT use abrasives to clean the press.
5. When storing, keep the press covered with a drop cloth in a cool, dry location out of reach of children and pets.

DISCLAIMER

PLEASE READ THE FOLLOWING CAREFULLY

THE MANUFACTURER AND/OR DISTRIBUTOR HAS PROVIDED THE PARTS LIST AND ASSEMBLY DIAGRAM IN THIS MANUAL AS A REFERENCE TOOL ONLY. NEITHER THE MANUFACTURER OR DISTRIBUTOR MAKES ANY REPRESENTATION OR WARRANTY OF ANY KIND TO THE BUYER THAT HE OR SHE IS QUALIFIED TO MAKE ANY REPAIRS TO THE PRODUCT, OR THAT HE OR SHE IS QUALIFIED TO REPLACE ANY PARTS OF THE PRODUCT. IN FACT, THE MANUFACTURER AND/OR DISTRIBUTOR EXPRESSLY STATES THAT ALL REPAIRS AND PARTS REPLACEMENTS SHOULD BE UNDERTAKEN BY CERTIFIED AND LICENSED TECHNICIANS, AND NOT BY THE BUYER. THE BUYER ASSUMES ALL RISK AND LIABILITY ARISING OUT OF HIS OR HER REPAIRS TO THE ORIGINAL PRODUCT OR REPLACEMENT PARTS THERETO, OR ARISING OUT OF HIS OR HER INSTALLATION OF REPLACEMENT PARTS THERETO.

Record Product's Serial Number Here: _____

Note: If product has no serial number, record month and year of purchase instead.

Note: Some parts are listed and shown for illustration purposes only and are not available individually as replacement parts.

The material in this manual is for informational purposes only. The product(s) it describes are subject to change without prior notice, due to the manufacturer's continuous development program. Stark Tools makes no representations or warranties with respect to this manual or with respect to the products described herein. Stark Tools shall not be liable for any damages, losses, costs or expenses, direct, indirect or incidental, consequential or special, arising out of, or related to the use of this material or the products described herein.

Questions, issues or missing parts?

Before returning to your retailer, our customer service team is here to help.



Call Us: 909.628.4900

Email Us: info@starktoolsusa.com

Hours of Operation: 9am - 3pm PST Monday - Friday

PRODUCT MADE IN CHINA