



20 GALLON OIL DRAIN TANK

ITEM # 66076



OWNER'S MANUAL AND SAFETY INSTRUCTIONS

SAVE THIS MANUAL. KEEP THIS MANUAL FOR SAFETY WARNINGS, PRECAUTIONS, ASSEMBLY, OPERATION, INSPECTION, MAINTENANCE AND CLEANING PROCEDURES. WRITE THE PRODUCT'S SERIAL NUMBER ON THE BACK OF THE MANUAL, OR THE MONTH AND YEAR OF PURCHASE IF PRODUCT HAS NO SERIAL NUMBER

FOR QUESTIONS, PLEASE CALL CUSTOMER SERVICE: 909.628.0880

SAFETY WARNINGS

WARNING

Read all safety warnings and instructions. Failure to follow the warnings and instructions may result in injury and/or property damage. Save all warnings and instructions for future reference.

The warning and safety instructions in this manual are not meant to cover all possible conditions and situations that may occur. Common sense, caution and care must be exercised when operating or cleaning tools and equipment. Always contact your dealer, distributor, service agent or manufacturer about problems or conditions you do not understand before operating the product.

This device dispenses fluid using pressurized air and complies with the specifications of the Uniform Fire Code, Standard Fire Prevention Code, and the National Fire Protection Association, (NFPA-30). It does not comply with current provisions of BOCA section F.5.3. You should consult your local Fire Marshall concerning code compliance of this device.

- Read all labels on the Used Oil Receiver carefully, do not cover them and replace them immediately if damaged.
- The Used Oil Receiver must only be used by authorized personnel trained in its use.
- **NEVER** leave unit unattended when operating or evacuating.
- **NEVER** use near open flame or heat source.
- **ALWAYS** disconnect air supply after emptying.
- **NEVER** use unit for handling highly volatile fuels and fluids.
- Use only the nozzle assembly provided.
- Pay attention to other people in the vicinity while the Used Oil Receiver is operating, especially children.
- **DO NOT** use the Used Oil Receiver in an environment subject to explosion hazard.
- **DO NOT** use the Used Oil Receiver as a means of transport.
- **DO NOT** use acid solutions which could damage the Used Oil Receiver and/or injure persons.
- The Used Oil Receiver will remain in place up to a maximum gradient of 0.5%, before beginning to slide.
- If the Used Oil Receiver malfunctions, contact the seller or send it to the nearest service center.
- When replacing parts, always demand ORIGINAL replacement parts from an authorized dealer or retailer.
- **IMPORTANT!** The Used Oil Receiver must not be used at more than 10.0 PSI (0.69bar).

SAVE THESE WARNINGS.

SPECIFICATIONS

TANK CAPACITY	72.0 QTS. / 68.1 LT.
DRAIN BOWL CAPACITY	11 QT. / 10.4 LT

OPERATION

INSPECTION:

- Prior to operation or maintenance, a visual inspection shall be made. Check for worn parts, air leaks, damaged, loose or missing parts.
- Check tank operation by connecting air nipple and closing ball valve. Verify that there is sufficient air flow coming from nozzle/hose assembly.
- If the unit is damaged, badly worn or operates abnormally, it should be removed from service. Contact a factory authorized service center for repair.
- An annual tank/component inspection is recommended to be performed by a factory authorized service center.

OPERATION

1. Put the machine below the engine of the car, close the ball valve on the draining hose, switch valve open, adjust the basin to proper height, open the release valve. Move the release plug of engine bottom, then collect the waste oil.
2. Check the inspection window, when the tank is full, close the switch valve, move this machine to the collection bucket, lift the basin to max height and fasten it. Put draining hose into the bucket, open the ball valve, open the air release valve, connect the pneumatic power source, drain the waste oil into the collection bucket.
3. When it is completed, clean the machine, and put it in proper place.

CAUTION

1. Please conduct this work when the oil temperature is about 60°C.
2. When collect the waste oil, please make sure the car is horizontal.
3. Please clean the basin timely with proper cleanser.
4. Do not adjust the release valve casually. It may cause danger.

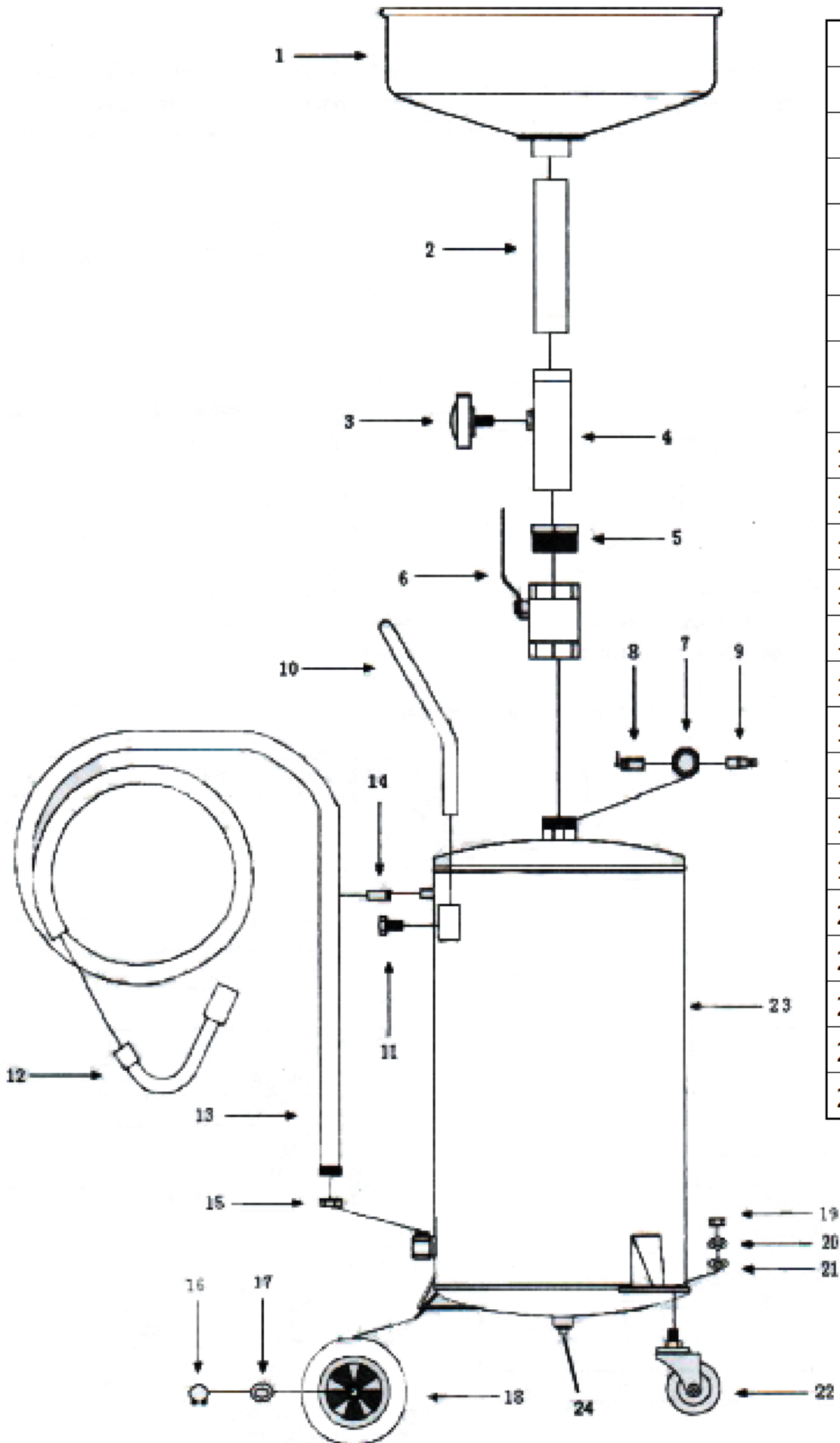
DRAINING OIL INTO THE TANK

1. Air tube must be disconnected from tank. Do not overfill tank. Check sight gauge tube frequently. Do not fill above hose strap.
2. Raise drain bowl/tube to desired height and lock in place by turning knob clockwise.
3. Main valve must be fully open, with valve handle in vertical position.

REMOVING OIL FROM THE TANK

1. The tank should be wheeled to the main oil collection reservoir.
2. Place drain nozzle securely into reservoir opening.
3. With drain bowl raised, main valve must be fully closed, with valve handle in horizontal position.
4. Connect air supply to tank (maximum supply pressure of 150 PSI [10.3 BAR])
5. Oil will drain from tank into reservoir. Disconnect air supply when finished.

PARTS INFORMATION



1	Bowl
2	Drain Tube
3	Lock Knob
4	Bushing
5	Nut
6	Ball Valve
7	Regulator + Gauge
8	Safety Valve
9	Air Inlet Connector
10	Handle
11	Bolt
12	Nozzle
13	Hose
14	Hoop
15	Locking Nut
16	Retaining Ring
17	Washer
18	Fixed Wheel
19	Locking Nut
20	Spring Washer
21	Washer
22	Swivel Caster
23	Tank
24	Drain Plug

DISCLAIMER

PLEASE READ THE FOLLOWING CAREFULLY

THE MANUFACTURER AND/OR DISTRIBUTOR HAS PROVIDED THE PARTS LIST AND ASSEMBLY DIAGRAM IN THIS MANUAL AS A REFERENCE TOOL ONLY. NEITHER THE MANUFACTURER OR DISTRIBUTOR MAKES ANY REPRESENTATION OR WARRANTY OF ANY KIND TO THE BUYER THAT HE OR SHE IS QUALIFIED TO MAKE ANY REPAIRS TO THE PRODUCT, OR THAT HE OR SHE IS QUALIFIED TO REPLACE ANY PARTS OF THE PRODUCT. IN FACT, THE MANUFACTURER AND/OR DISTRIBUTOR EXPRESSLY STATES THAT ALL REPAIRS AND PARTS REPLACEMENTS SHOULD BE UNDERTAKEN BY CERTIFIED AND LICENSED TECHNICIANS, AND NOT BY THE BUYER. THE BUYER ASSUMES ALL RISK AND LIABILITY ARISING OUT OF HIS OR HER REPAIRS TO THE ORIGINAL PRODUCT OR REPLACEMENT PARTS THERETO, OR ARISING OUT OF HIS OR HER INSTALLATION OF REPLACEMENT PARTS THERETO.

Record Product's Serial Number Here: _____

Note: If product has no serial number, record month and year of purchase instead.

Note: Some parts are listed and shown for illustration purposes only and are not available individually as replacement parts.

Questions, issues or missing parts?

Before returning to your retailer, our customer service team is here to help.



Call Us: 909.628.0880

Email Us: customer@xtremepowerusa.com

Hours of Operation: 9am - 3pm PST Monday - Friday

MADE IN CHINA