



12 TON HYDRAULIC LOG SPLITTER

ITEM: 65067



OWNER'S MANUAL AND SAFETY INSTRUCTIONS

SAVE THIS MANUAL: KEEP THIS MANUAL FOR SAFETY WARNINGS, PRECAUTIONS, ASSEMBLY, OPERATING, INSPECTION, MAINTENANCE AND CLEANING PROCEDURES. WRITE THE PRODUCT'S SERIAL NUMBER ON THE BACK OF THE MANUAL NEAR THE ASSEMBLY DIAGRAM (OR MONTH AND YEAR OF PURCHASE IF PRODUCT HAS NO NUMBER)

FOR QUESTIONS PLEASE CALL OUR CUSTOMER SUPPORT: 909.628.0880 MON-FRI 9AM TO 3PM PST



GENERAL SAFETY WARNINGS

The operator must read and understand all safety and warning information, operating instructions, maintenance, and storage instructions before operating this equipment. Failure to properly operate and maintain the log splitter could result in serious injury to the operator or bystanders.

SAFETY

The warnings, precautions, and instructions discussed in this instruction manual cannot cover all possible conditions and situations that may occur. It must be understood by the operator that common sense and caution are factors which cannot be built into this product, but must be supplied by the operator. Read carefully and understand all **ASSEMBLY AND OPERATION INSTRUCTIONS** before operating. Failure to follow the safety rules and other basic safety precautions may result in serious personal injury.

- Keep work area clean and well-lit. Set up the equipment and use it only on a flat and level surface in an outdoor, well-ventilated area.
- Use only accessories that are recommended by XtremePowerUS for your model. Accessories that may be suitable for one piece of equipment may become hazardous when used on another piece of equipment.
- Dress properly. **DO NOT** wear loose clothing or jewellery. Keep hair, clothing and gloves away from moving parts. Loose clothes, jewellery or long hair can be caught in moving parts.
- Stay alert, watch what you are doing and use common sense when operating this piece of equipment. **DO NOT** use this piece of equipment while tired or under the influence of drugs, alcohol or medication.
- Before use, check for misalignment or binding of moving parts, breakage of parts, and any other condition that may affect the equipment's operation. If damaged, have the equipment serviced before using. Many accidents are caused by poorly maintained equipment.
- Wear personal protective equipment – When using this tool, wear safety glasses with side shields or goggles to provide necessary eye protection. Wear ear defenders to prevent hearing damage when necessary. Use a face or dust mask if the work environment is dusty.
- Store idle tool indoors – When not in use, the log splitter should be stored indoors in a dry and high or locked-up place out of the reach of children.
- Maintain the log splitter with care – Keep the log splitter clean for optimal performance and to reduce the risk of injury. Follow the additional recommendations described in the maintenance section of this manual.
- Use the right tool – **DO NOT** use the tool for any job except that for which it is intended.
- Maintain the log splitter with care – Keep the log splitter clean for optimal performance and to reduce the risk of injury. Follow the additional recommendations described in the maintenance section of this manual.

OPERATIONAL SAFETY

- **DO NOT** at any time carry passengers, sit, or stand on the log splitter.
- **DO NOT** allow children to play on, stand upon, or climb on the log splitter.
- **ALWAYS** inspect the log splitter before using to ensure it is in proper working order.
- Replace or repair damaged or worn parts immediately.

IMPORTANT SAFETY INFORMATION

- **ALWAYS** use the splitter on a flat and level surface.
- **ALWAYS** check and tighten hardware and assembled parts before operation.
- Only use the log splitter for its intended purpose: splitting logs.
- **DO NOT** exceed the maximum permitted log length of 18 inch (46 cm) or the maximum permitted log diameter of 8 inch (20.3 cm).
- **ALWAYS** split wood in the direction of the grain. **DO NOT** split wood against the grain.
- **DO NOT** exceed the equipment's maximum load capacity of 10 tons.
- **NEVER** leave the log splitter unattended while operating the equipment.
- Keep area around the log splitter clear of debris to prevent injury.
- **ALWAYS** clear away wood pieces from the work area before splitting another log.
- **DO NOT** tow the log splitter with any motorized vehicles, such as lawn and garden tractors or ATVs.
- **ALWAYS** keep hands and feet clear from moving and cutting parts while operating the equipment.
- **ALWAYS** clear the work area and keep it clean and free of debris when operating the log splitter.
- **ALWAYS** wear safety gear, including eye protection, heavy duty gloves, and steel-toed boots, when operating the log splitter.

- **WARNING!** The warnings, cautions, and instructions outlined in this instruction manual cannot cover all possible conditions or situations that may occur. It must be understood by the operator that common sense and caution are factors that cannot be built into this product and must be supplied by the operator.

WOOD SAFETY

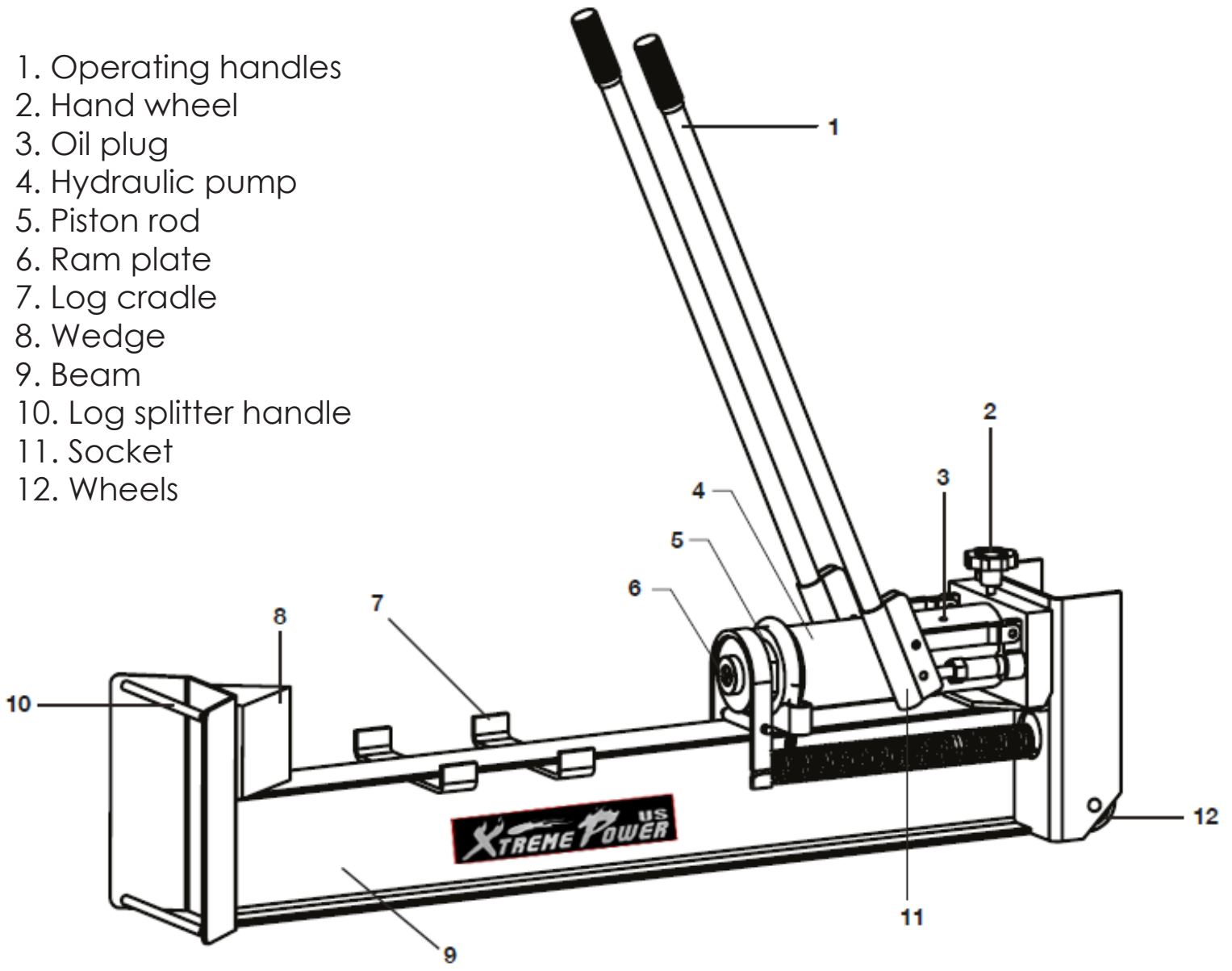
- This log splitter is designed to split standard size logs [max log diameter: 8 inch (20.3 cm); max log length 18 inch (46 cm)]. Do not split oversized logs.
- **DO NOT** attempt to split "hard" wood that requires more than 5 seconds to split.
- Check the log prior to splitting to ensure it is free from foreign objects that may be projected or cause damage to the machine (ie.: nails, wire, etc.).
- Ensure that the end of the log is cut square and all branches have been cut flush.



SAVE THESE WARNINGS

PRODUCT INFORMATION

1. Operating handles
2. Hand wheel
3. Oil plug
4. Hydraulic pump
5. Piston rod
6. Ram plate
7. Log cradle
8. Wedge
9. Beam
10. Log splitter handle
11. Socket
12. Wheels



SPECIFICATIONS

SPLITTING FORCE MAX	10 TON	HYDRAULIC CYLINDER SIZE	9.9" x 2.1"
RAM FORCE/CONTINUOUS FORCE	10 TON	HYDRAULIC ROD SIZE	11.6" x 1.7"
MATERIAL	STEEL	HYDRAULIC CAPACITY	0.17gal (0.64L)
LOG LENGTH MAX	18" (46cm)	WHEEL SIZE	2.48" (6.3cm)
LOG DIAMETER MAX	8" (20.3cm)	WEIGHT	87lbs (39.5kg)
WEDGE HEIGHT	3.9" (10cm)		
BEAM HEIGHT	5.5" (14cm)		

ASSEMBLY AND OPERATION

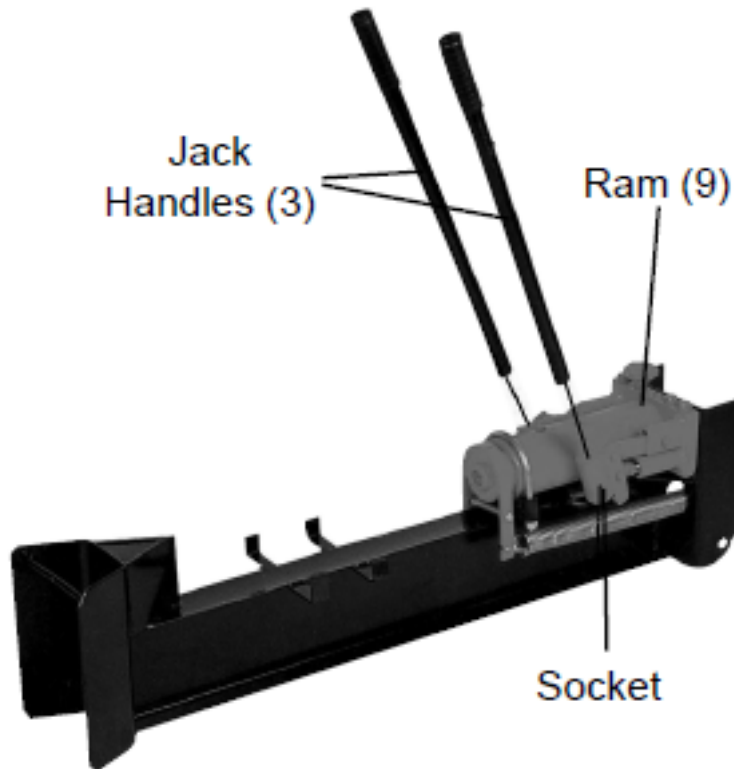
UNPACKING

When unpacking, make sure that the item is intact and undamaged. If any parts are missing or broken, please call XtremePowerUS at 1-909.628.0880 to obtain a replacement part.

PLEASE NOTE: The Log Splitter is heavy; use care and proper lifting techniques when move the Log Splitter.

ASSEMBLY

To assemble, insert one Jack Handle (3) into each of the sockets on the Ram (9). See Figure 1, above.



The Splitting Operation - Additional Safety Instructions:

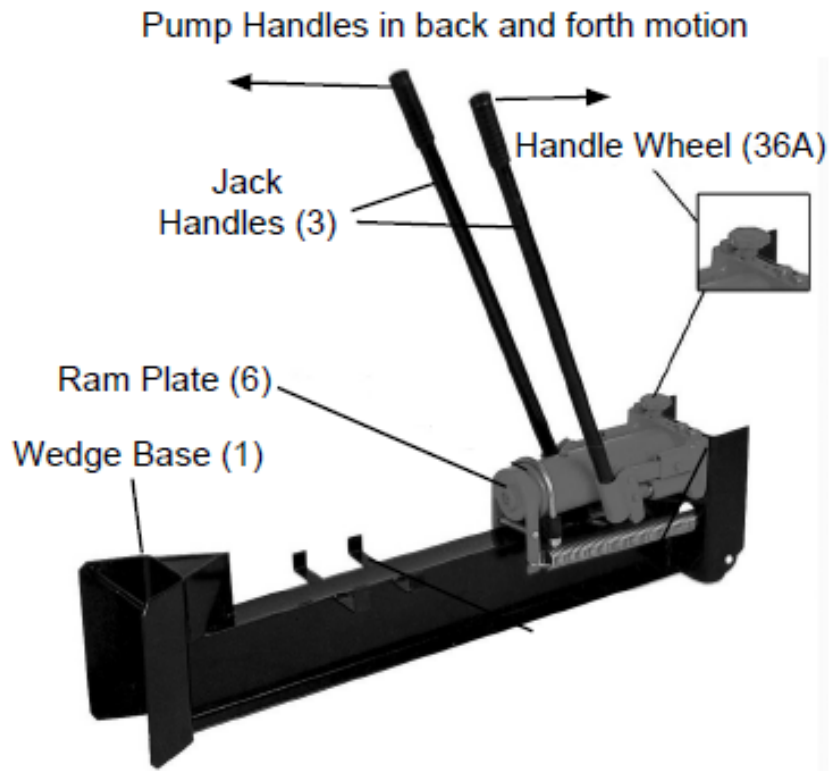
1. Hold the bark side of logs when loading or positioning, never the ends. Never place your hands or any body parts between a log and any part of the Log Splitter.
2. **NEVER** load or unload logs while the Ram (9) is moving.
3. **DO NOT** pile logs to be split in a place that will make you reach across the Log Splitter in order to load
4. Log ends that are not cut square can slide out while splitting and cause a safety hazard or cause excessive force to Log Splitter components. Use a chainsaw (not included) to cut logs square on each end before attempting to split them.
5. **NEVER** attempt to split more than one log at a time. A piece of log can unexpectedly be thrown from the machine, causing severe personal injury.
6. **DO NOT** use the Log Splitter to split logs across the grain. Doing so will damage the Log Splitter and could also cause pieces of log to be thrown, injuring the operator or bystanders.

NOTE: Note: Many accidents occur when there is more than one person involved in loading and operating the Log Splitter. Only one person should operate at a time. If a second person is assisting in loading logs, **NEVER** allow an assistant to hold the log in place while the operator pulls on the Jack Handles.

OPERATION

TO OPERATE:

1. Grip one Handle in each hand and pump the Handles in a back-and-forth stroke motion. See illustration.
2. This action will force the log against the Wedge Base and split the log.
3. Remove the split pieces.
4. Turn Handle Wheel (36A) counter-clockwise no more than one full turn to retrieve the Ram. See Figure 2.
5. Turn Hand wheel clockwise until snug.
6. When finished, store the Log Splitter with the Hand Wheel turned counter-clockwise one turn to relieve the hydraulic pressure built up during use.



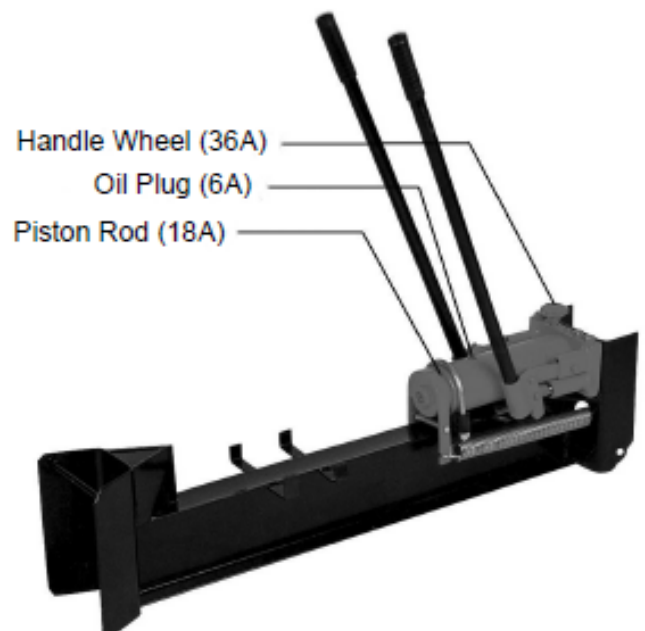
TO REMOVE A STUCK LOG:

1. A log can be stuck on the Wedge Base if the Wedge becomes embedded in the log and the log doesn't completely split and separate. This can happen if the log is too stringy or tough to split completely. If this happens, follow the directions below.
2. **WARNING!** Never attempt to remove a stuck log by doing the following: • Using the hydraulic force of the Log Splitter. • Modifying the Log Splitter. • Adding attachments to the Log Splitter.
3. **WARNING!** Personal injury could result from log or metal pieces flying out at high speed toward the operator or bystanders, or the Log Splitter could become damaged.
4. Fully retract the Ram then remove the stuck log from the wedge manually with a pry bar.
5. **DO NOT** attempt to re-split a stuck log once it has been removed from the Wedge. Manually split with a maul, or cut with a chainsaw.

WARNING! Remove Split Logs: Move each split log away from the Log Splitter. Split logs left near the Log Splitter are a tripping hazard.

TO BLEED THE LOG SPLITTER:

1. Extend Ram to its maximum length.
2. Remove the Oil Plug (6A) and top off oil.
3. Turn Hand-wheel counter-clockwise as fast as possible. Piston Rod (18A) will retract into Ram and push air out of Cylinder (23A) via Oil Plug hole. Top off oil as needed.
4. Replace the Oil Plug and repeat steps 1-3 as needed.
5. To add oil, remove the Oil Plug and add oil to just below the Fill Plug. Then Replace Oil Plug.



MAINTENANCE AND TROUBLESHOOTING

WARNING

TO PREVENT SERIOUS INJURY FROM EQUIPMENT FAILURE: DO NOT use damaged equipment. If abnormal noise or vibration occurs, have the problem corrected before further use.

Many maintenance procedures, including those not detailed in this manual, will need to be performed by a qualified technician for safety. If you have any doubts about your ability to safely service the Log Splitter, have a qualified technician service the equipment instead.

BEFORE EACH USE: Inspect the Log Splitter and verify that there are loose or damaged parts.

AFTER EACH USE: Wipe down Log Splitter with a clean, soft cloth, making sure to clean up any excess or spilled hydraulic oil.

WHEN STORING: Retract the Ram to and turn the Hand wheel counter-clockwise by one turn to keep the Hydraulic Cylinder Rod protected from corrosion.

Store the Log Splitter in a clean, dry, safe location away from children and other unauthorized persons.

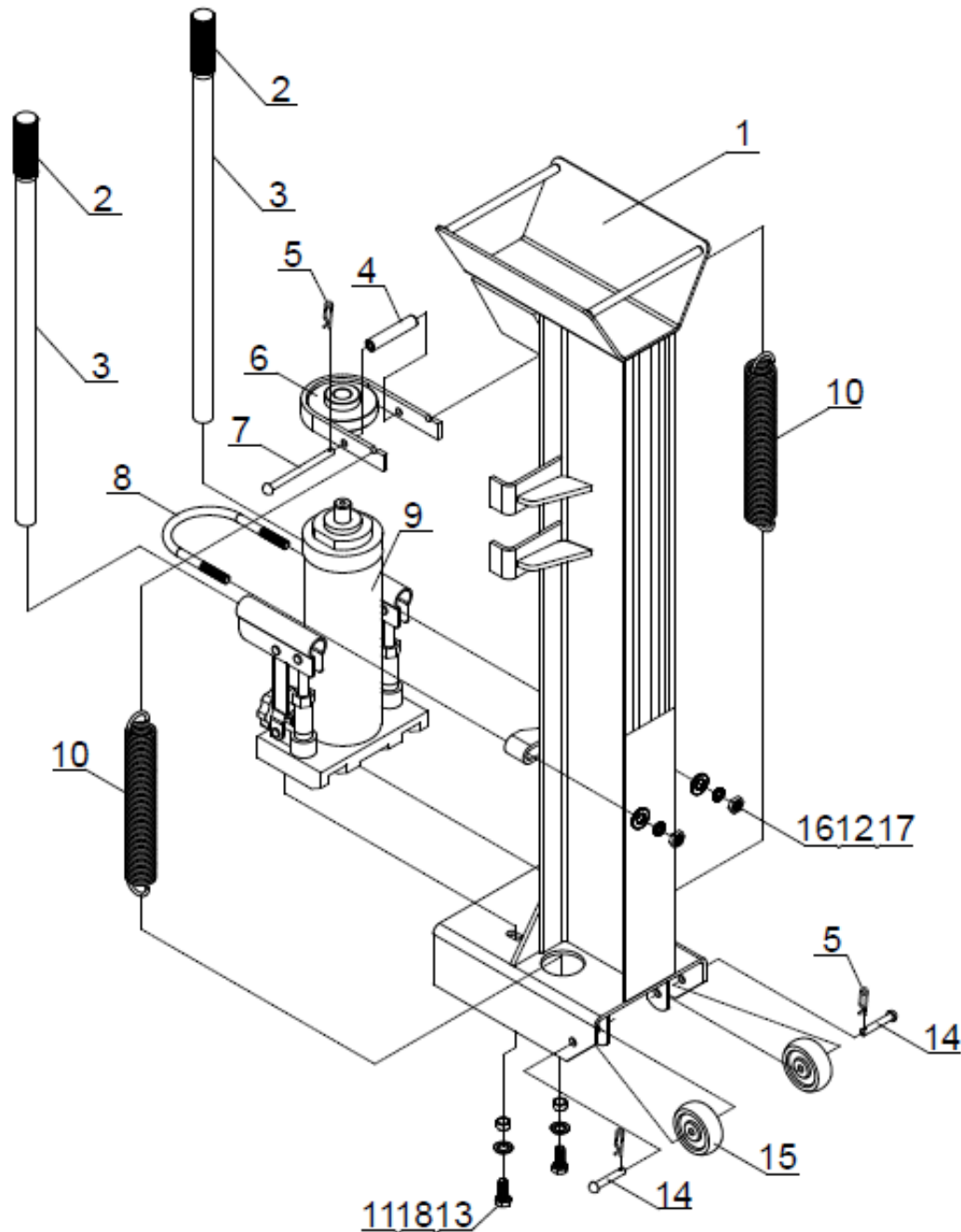
TROUBLESHOOTING

PROBLEM	POSSIBLE CAUSE	POSSIBLE SOLUTION
RAM WILL NOT MOVE	Handwheel is open	Turn Handwheel clockwise until snug
	Wedged wood under Ram	Remove an foreign objects from below Ram
	Blocked hydraulic lines	Flush and clean the Splitter's hydraulic system
	Blocked control valve	Flush and clean the Splitter's hydraulic system
	Damaged control valve	Have a qualified service technician repair/replace control valve
	Damaged cylinder piston	Have a qualified service technician repair/replace cylinder piston
SLOW RAM SPEED WHEN EXTENDING OR RETRACTING	Slow pumping of Jack Handles	Move Jack Handles at a faster pace
	Air in oil	Purge air from Splitter's hydraulic system
	Damaged control valve	Have a qualified service technician repair/replace control valve
	Internal control valve leak	Have a qualified service technician repair/replace control valve
	Internally damaged cylinder	Have a qualified service technician repair/replace cylinder
WOOD WILL NOT SPLIT, OR SPLITE VERY SLOWLY	Air in oil	Check for excessive air in hydraulic reservoir
	Excessive control valve inlet vacuum	Check control valve inlet hose for blockage or kinks
	Low control valve setting	Have a qualified service technician adjust control valve with a pressure gauge
	Internal control valve leak	Have a qualified service technician repair/replace control valve
	Internally damaged cylinder	Have a qualified service technician repair/replace cylinder

PARTS LIST AND ASSEMBLY DIAGRAM

Part	Description	Qty.
1	Wedge Base	1
2	Handle Grip	2
3	Jack Handle	2
4	Spacer	1
5	Lock Spring	3
6	Ram Plate	1
7	Pin	1
8	U-Bolt	1
9	Ram	1

Part	Description	Qty.
10	Ram Return Spring	2
11	Hex Bolt M8x20	2
12	Lock Washer Ø10	2
13	Flat Washer Ø8	2
14	Wheel Axle	2
15	Wheel	2
16	Large Flat Washer Ø10	2
17	Hex Nut M10	2
18	Spacer	2

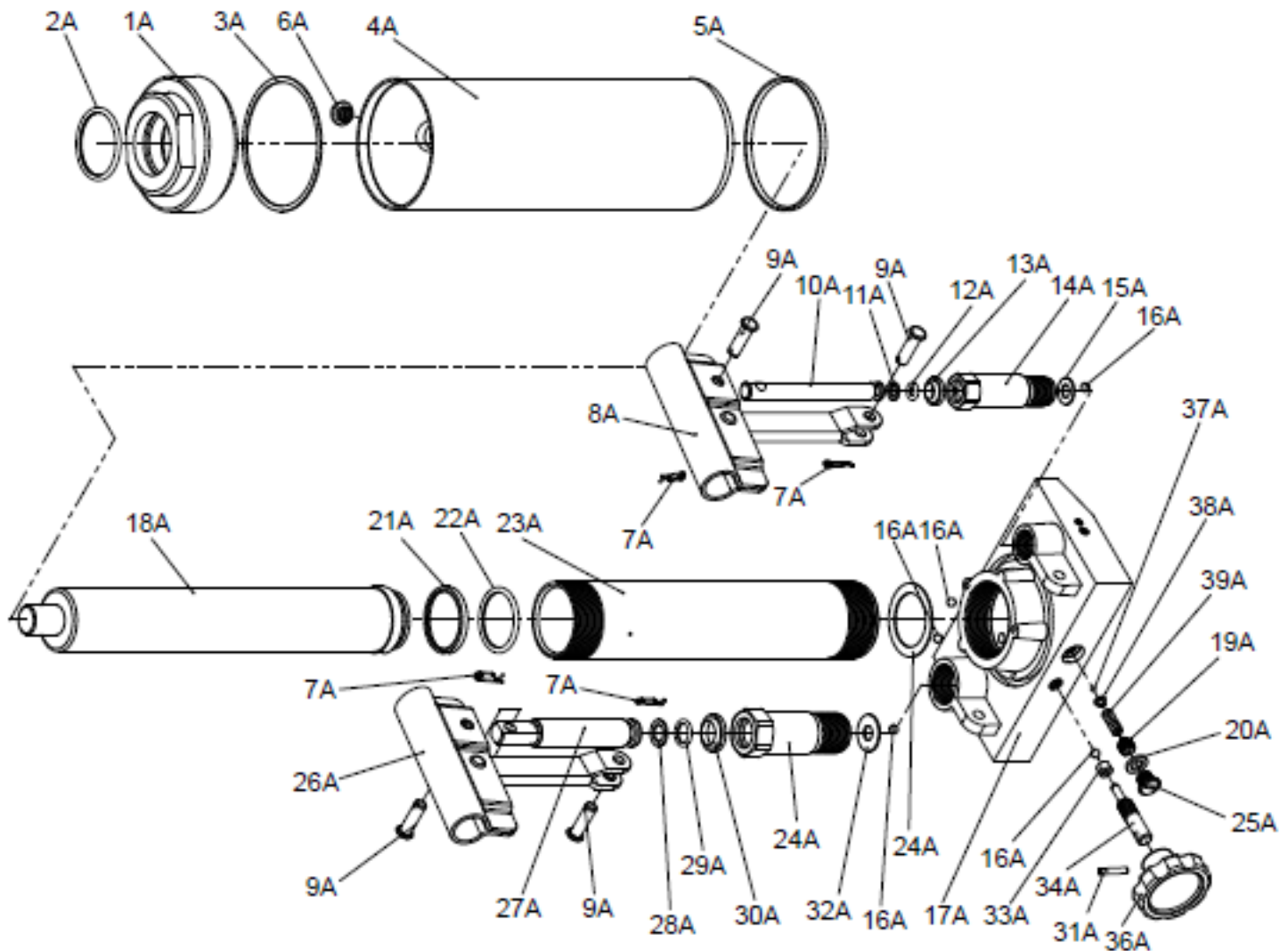


PARTS LIST AND ASSEMBLY DIAGRAM

PUMP PARTS LIST AND ASSEMBLY DIAGRAM

Part	Description	Qty.
1A	Cap	1
2A	O-Ring	1
3A	Rectangle Ring	1
4A	Cylinder Jacket	1
5A	Rectangle Ring	1
6A	Oil Plug	1
7A	Lock Spring	4
8A	Right Socket	1
9A	Axis Pin 8x28	4
10A	Pump Core	1
11A	Split Washer	1
12A	O-Ring 6.6x3	1
13A	J-Dust Ring	1
14A	Small Pump Cylinder	1
15A	Small Pump Washer	1
16A	Steel Ball Ø6	5
17A	Base	1
18A	Piston Rod	1
19A	Pressure Adjusting Screw	1
20A	O Ring	1

Part	Description	Qty.
21A	Bowl Washer	1
22A	O Ring	1
23A	Cylinder	1
24A	Cylinder Washer	1
25A	Safety Valve Screw	1
26A	Left Socket	1
27A	Big Pump Core	1
28A	Retainer Ring	1
29A	O Ring 12x3.5	1
30A	J-Dust Ring	1
31A	Big Pump Cylinder	1
32A	Big Pump Washer	1
33A	Rectangle Ring	1
34A	Release Valve Rod	1
35A	Spring Pin 4x22	1
36A	Handle Wheel	1
37A	Steel Ball Ø4	1
38A	Spring Base	1
39A	Adjusting Spring	1



DISCLAIMER

THE MANUFACTURER AND/OR DISTRIBUTOR HAS PROVIDED THE PARTS LIST AND ASSEMBLY DIAGRAM IN THIS MANUAL AS A REFERENCE TOOL ONLY. NEITHER THE MANUFACTURER OR DISTRIBUTOR MAKES ANY REPRESENTATION OR WARRANTY OF ANY KIND TO THE BUYER THAT HE OR SHE IS QUALIFIED TO MAKE ANY REPAIRS TO THE PRODUCT, OR THAT HE OR SHE IS QUALIFIED TO REPLACE ANY PARTS OF THE PRODUCT. IN FACT, THE MANUFACTURER AND/OR DISTRIBUTOR EXPRESSLY STATES THAT ALL REPAIRS AND PARTS REPLACEMENTS SHOULD BE UNDERTAKEN BY CERTIFIED AND LICENSED TECHNICIANS, AND NOT BY THE BUYER. THE BUYER ASSUMES ALL RISK AND LIABILITY ARISING OUT OF HIS OR HER REPAIRS TO THE ORIGINAL PRODUCT OR REPLACEMENT PARTS THERETO, OR ARISING OUT OF HIS OR HER INSTALLATION OF REPLACEMENT PARTS THERETO.

PLEASE READ THE FOLLOWING CAREFULLY

THE MANUFACTURER AND/OR DISTRIBUTOR HAS PROVIDED THE PARTS LIST AND ASSEMBLY DIAGRAM IN THIS MANUAL AS A REFERENCE TOOL ONLY. NEITHER THE MANUFACTURER OR DISTRIBUTOR MAKES ANY REPRESENTATION OR WARRANTY OF ANY KIND TO THE BUYER THAT HE OR SHE IS QUALIFIED TO MAKE ANY REPAIRS TO THE PRODUCT, OR THAT HE OR SHE IS QUALIFIED TO REPLACE ANY PARTS OF THE PRODUCT. IN FACT, THE MANUFACTURER AND/OR DISTRIBUTOR EXPRESSLY STATES THAT ALL REPAIRS AND PARTS REPLACEMENTS SHOULD BE UNDERTAKEN BY CERTIFIED AND LICENSED TECHNICIANS, AND NOT BY THE BUYER. THE BUYER ASSUMES ALL RISK AND LIABILITY ARISING OUT OF HIS OR HER REPAIRS TO THE ORIGINAL PRODUCT OR REPLACEMENT PARTS THERETO, OR ARISING OUT OF HIS OR HER INSTALLATION OF REPLACEMENT PARTS THERETO.

Record Product's Serial Number Here: _____

Note: If product has no serial number, record month and year of purchase instead.

Note: Some parts are listed and shown for illustration purposes only and are not available individually as replacement parts.



SAVE THESE INSTRUCTIONS.



Questions, problems, missing parts?

Before returning to your retailer, our exceptional customer service is available.

Call us Tel: **909 628 0880**

Hour : **9am To 3pm PST (Monday to Friday)**

Email : **customer@xtremepowerusa.com**