

XTREMEPOWER **US**

5.8 GALLON FOGGER BACKPACK

ITEM # 71016



OWNER'S MANUAL AND SAFETY INSTRUCTIONS

SAVE THIS MANUAL. KEEP THIS MANUAL FOR SAFETY WARNINGS, PRECAUTIONS, ASSEMBLY, OPERATION, INSPECTION, MAINTENANCE AND CLEANING PROCEDURES. WRITE THE PRODUCT'S SERIAL NUMBER ON THE BACK OF THE MANUAL, OR THE MONTH AND YEAR OF PURCHASE IF PRODUCT HAS NO SERIAL NUMBER

FOR QUESTIONS, PLEASE CALL CUSTOMER SERVICE: 909.628.0880

SAFETY WARNINGS



GENERAL SAFETY WARNINGS

Read all safety warnings and instructions. Failure to follow the warnings and instructions may result in electric shock, fire and/or serious injury. Save all warnings and instructions for future reference.

- Keep area well lit. Cluttered or dark areas invite accidents.
- **DO NOT** operate power tools in an explosive atmosphere, such as in the presence of flammable liquids, gases or dust. Power tools create sparks which may ignite dust or fumes.
- This appliance is not intended for use by persons, including children with reduced sensory or mental capabilities or lack of experience or knowledge.
- Keep children and bystanders away while operating the power tool. Distractions can cause the user to lose control.

ELECTRICAL SAFETY

- Power tool plugs must match the power outlet. Never modify the plug on this power tool in any way.
- **DO NOT** use any adapter plugs with earthed (grounded) power tools. Unmodified plugs and matching outlets will reduce the risk of electric shock.
- Always use an approved extension lead suitable for the power input for this tool. Before use, inspect the extension lead for signs of damage, wear or aging. Replace the extension lead if damaged or defective.
- Power tool plugs must match the outlet. Never modify the plug in any way. **DO NOT** use any adapter plugs with grounded power tools. Unmodified plugs and matching outlets will reduce risk of electric shock.
- Avoid body contact with grounded surfaces such as pipes, radiators, ranges and refrigerators. There is an increased risk of electric shock if your body is grounded.
- **DO NOT** expose power tools to rain or wet conditions. Water entering a power tool will increase the risk of electric shock.
- **DO NOT** abuse the cord. Never use the cord for carrying, pulling or unplugging the power tool. Keep cord away from heat, oil, sharp edges or moving parts. Damaged or entangled cords increase the risk of electric shock.
- When operating a power tool outdoors, use an extension cord suitable for outdoor use. Use of a cord suitable for outdoor use reduces the risk of electric shock.
- If operating a power tool in a damp location is unavoidable, use a Ground Fault circuit interrupter (GFCI) protected supply. Use of a GFCI reduces the risk of electric shock.
- Stay alert, watch what you are doing and use common sense when operating a power tool. **DO NOT** use a power tool while you are tired or under the influence of drugs, alcohol or medication. A moment of inattention while operating power tools may result in serious personal injury.
- Use personal protective equipment. Always wear eye protection. Safety equipment such as dust mask, non-skid safety shoes, hard hat, or hearing protection used for appropriate conditions will reduce personal injuries.
- **DO NOT** force the power tool. Use the correct power tool for the application.
- **DO NOT** use the power tool if the power switch does not turn on or off.
- Disconnect the plug from the power source and/or the battery pack from the power tool before making any adjustments, changing accessories or storing powering tools.

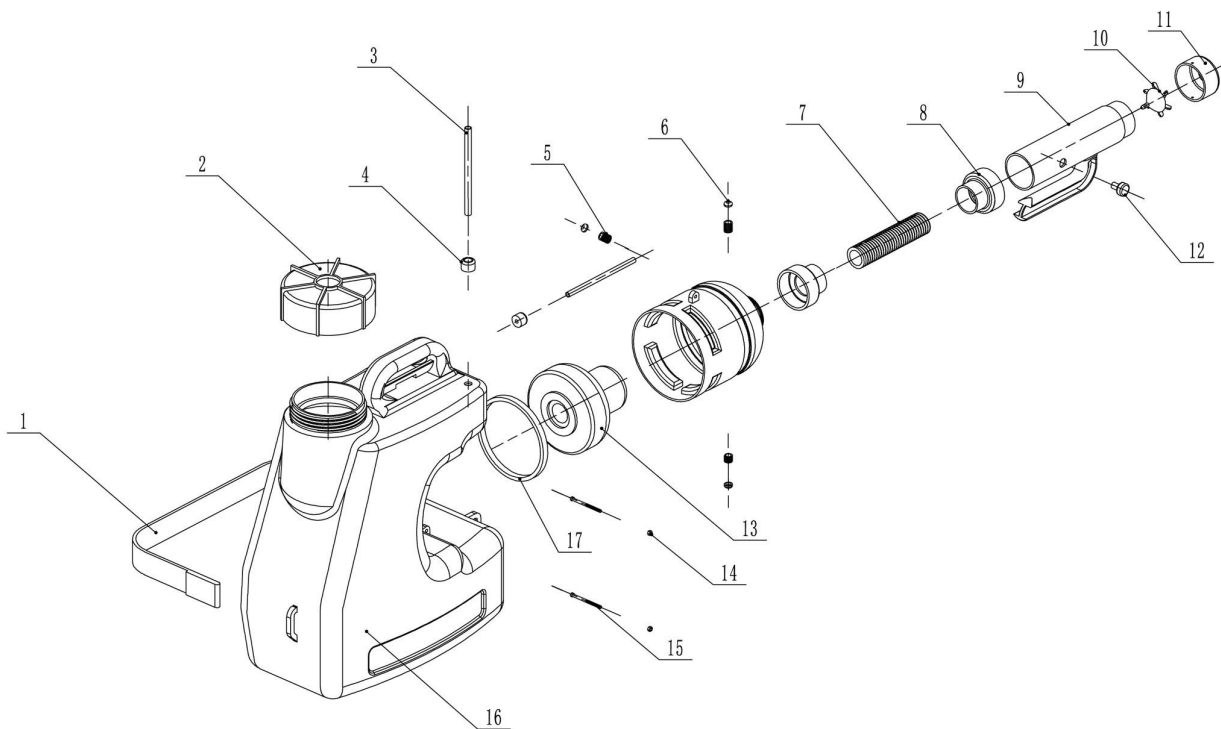
SAFETY WARNINGS

- Store idle power tools out of the reach of children and do not allow persons unfamiliar with the power tool or these instructions to operate the tool.
- Power tools are dangerous in the hands of untrained users. Maintain power tools. Check for misalignment or binding of moving parts, breakage of parts and any other condition that may affect the power tool's operation. If damaged, have the power tool repaired before use.
- During the slotting operation, keep the machine straight and advance uniformly.
- Wear insulated gloves and shoes, when using the water cutting operation to avoid electric shock.
- Draw the guide wire on the work surface to improve efficiency and accuracy of slotting.
- This machine is high-powered with a heavier work load, ensure that the inter-connecting components are solid and reliable before using the Wall Climber.
- Waterless cutting operations should be equipped with dust removal equipment.
- When turning the machine, you should open the cover while paying special attention to the protection of flying sand. Slotting work without protection is very dangerous. In serious cases, it will cause personal injury.
- When using a pump to groove on the wall, work from top to bottom. Be careful not to let water flow into the machine.

SAVE THESE WARNINGS.

Name of the component

- | | | |
|-----------------|------------------------|------------------|
| 1、 Straps | 7、 connecting pipe | 13、 Motor |
| 2、 Barrel cover | 8、 Sealing ring | 14、 Screw |
| 3、 Water pipe | 9、 Sprinkler head | 15、 Screw |
| 4、 Sealing ring | 10、 Turbine fan | 16、 barrel |
| 5、 Trachea | 11、 Cover | 17、 Sealing ring |
| 6、 Water pipe | 12、 flow control valve | |



Announcements:

1. Use suitable wires and sockets.
2. Check the machine before use, make sure that the leakage protector work properly. Keep the machine dry during use, and DO NOT touch the switch with wet hands.
3. Tighten the cap after injection to prevent leak of the air. DO NOT place the machine upside down, otherwise the liquid will flow to the motor.
4. If you want to stop the machine, turn off the switch, and wait for the motor closing down, then you can hang the nozzle up.
5. Wear protective equipment when using the machine.
6. DO NOT use this machine for spraying strong acid or strong base.
7. Turn the switch off if you hear or smell something wrong.
8. Keep the machine in cool and dry place if no use.
9. DO NOT point the nozzle toward people.
10. Warranty of major critical component (tank , motor) is 12 months.

PRODUCT INFORMATION

Warning:The machine is used on 110V power supply. Read the instruction carefully before operation, and pay attention to electricity safety

Parameters

Power	110V
Rate of work	1200W
N.W.	5.5Kg
Capacity	22L
Spraying distance	≥12m
Diameter of Atomization Granule	≤50μm
Max. spray volume	60L/h

DISCLAIMER

PLEASE READ THE FOLLOWING CAREFULLY

THE MANUFACTURER AND/OR DISTRIBUTOR HAS PROVIDED THE PARTS LIST AND ASSEMBLY DIAGRAM IN THIS MANUAL AS A REFERENCE TOOL ONLY. NEITHER THE MANUFACTURER OR DISTRIBUTOR MAKES ANY REPRESENTATION OR WARRANTY OF ANY KIND TO THE BUYER THAT HE OR SHE IS QUALIFIED TO MAKE ANY REPAIRS TO THE PRODUCT, OR THAT HE OR SHE IS QUALIFIED TO REPLACE ANY PARTS OF THE PRODUCT. IN FACT, THE MANUFACTURER AND/OR DISTRIBUTOR EXPRESSLY STATES THAT ALL REPAIRS AND PARTS REPLACEMENTS SHOULD BE UNDERTAKEN BY CERTIFIED AND LICENSED TECHNICIANS, AND NOT BY THE BUYER. THE BUYER ASSUMES ALL RISK AND LIABILITY ARISING OUT OF HIS OR HER REPAIRS TO THE ORIGINAL PRODUCT OR REPLACEMENT PARTS THERETO, OR ARISING OUT OF HIS OR HER INSTALLATION OF REPLACEMENT PARTS THERETO.

Record Product's Serial Number Here: _____

Note: If product has no serial number, record month and year of purchase instead.

Note: Some parts are listed and shown for illustration purposes only and are not available individually as replacement parts.



SAVE THESE INSTRUCTIONS.

Questions, problems, missing parts?



Before returning to your retailer, our exceptional customer service is here to help.

Call Us: 909.628.0880

Email Us: customer@xtremepowerusa.com

Hours of Operation: 9am - 4pm (Monday - Friday)

PRODUCT MADE IN CHINA