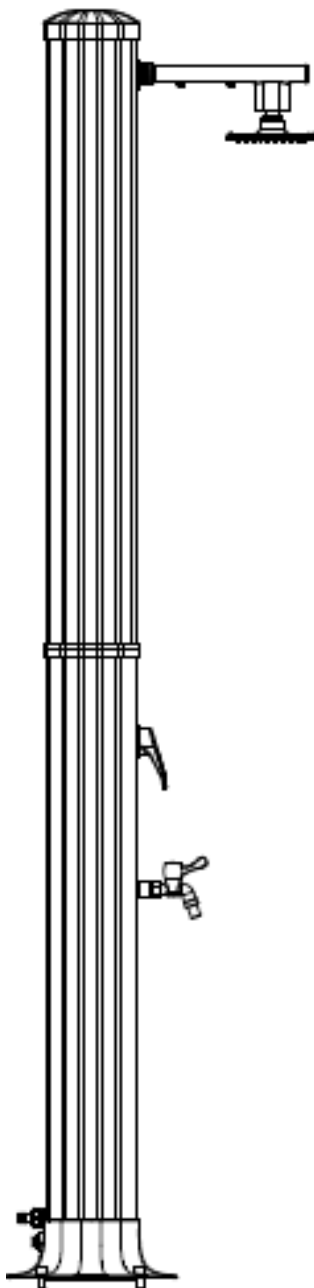




## 10 GALLON POOL SOLAR SHOWER

ITEM # 75029



### OWNER'S MANUAL AND SAFETY INSTRUCTIONS

SAVE THIS MANUAL. KEEP THIS MANUAL FOR SAFETY WARNINGS, PRECAUTIONS, ASSEMBLY, OPERATION, INSPECTION, MAINTENANCE AND CLEANING PROCEDURES. WRITE THE PRODUCT'S SERIAL NUMBER ON THE BACK OF THE MANUAL, OR THE MONTH AND YEAR OF PURCHASE IF PRODUCT HAS NO SERIAL NUMBER

FOR QUESTIONS, PLEASE CALL CUSTOMER SERVICE: 909.628.0880

# SAFETY WARNINGS / ASSEMBLY

## **WARNING**

Read all safety warnings and instructions. Failure to follow the warnings and instructions may result in injury and/or property damage. Save all warnings and instructions for future reference.

The warning and safety instructions in this manual are not meant to cover all possible conditions and situations that may occur. Common sense, caution and care must be exercised when operating or cleaning tools and equipment. Always contact your dealer, distributor, service agent or manufacturer about problems or conditions you do not understand before operating the product.

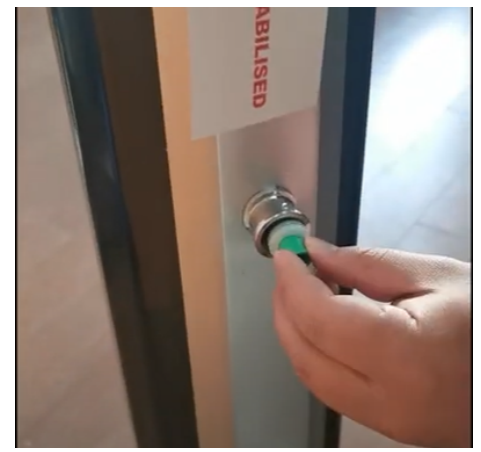
- **WARNING:** WATER TEMPERATURE IN SHOWER MAY REACH OVER 130°F (55°C)! WE RECOMMEND OPENING HANDLE IN THE MIDDLE POSITION BETWEEN HOT AND COLD, THEN SETTING TO DESIRED TEMPERATURE.
- **WARNING:** IF SHOWER HAS NOT BEEN USED FOR MORE THAN THREE DAYS, WE RECOMMEND RUNNING SOLAR SHOWER FOR 2 MINUTES TO REMOVE STAGNANT WATER. STAGNANT WATER IN WARM ENVIRONMENT CAN PROVIDE A GROWTH ENVIRONMENT FOR HAZARDOUS BACTERIA.
- **CAUTION:** ALWAYS START YOUR SHOWER COOL TO AVOID INJURY
- When temperatures are high, especially in the summer, the water inside the tube will be hot, do not stand under the solar head when first using the shower. Test the water with your finger to make sure the water is at a comfortable temperature.

**SAVE THESE WARNINGS.**

# ASSEMBLY INFORMATION



Screw in the connector piece inside the shower head base. Attach the shower head and screw into place.



Screw in the green gasket piece into the faucet.



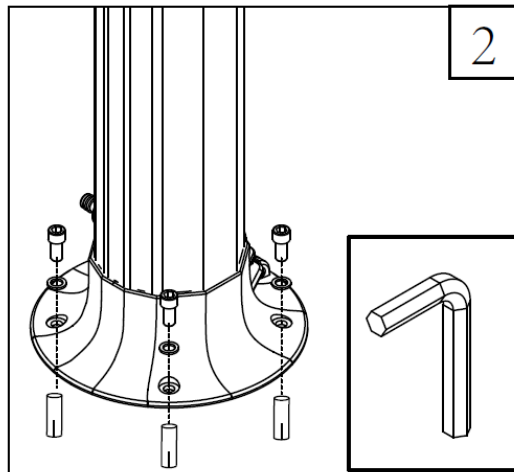
Screw in the faucet piece. Make sure the spigot part where water comes out is facing downward.



Connect the two shower body pieces and tighten them securely.



Attach the shower head assembly to the shower body. Tighten securely.



Mount the shower base to concrete slab or wood base with four bolts, nuts and gaskets. Using a Hex key and wrench.



Scan the QR code above to watch the full assembly video.

# ASSEMBLY / OPERATION

## ASSEMBLY

**Set up your solar shower in a place that is exposed to direct sunlight as long as possible.**

1. Connect the shower head to shower body tube. Do not use a wrench. Secure the gasket.
2. Mount the shower base to concrete slab or wood base with four bolts, nuts and gaskets. Use a wrench for this process.
3. Connect the footwash to the shower.
4. Put an O-ring on the slot of the lower tube. Lift the shower upper tube on to the lower tube. Turn the locking ring clockwise to securely connect the upper tube to the lower tube.

**NOTE:** The handle and shower head need to face in the same direction.

5. Connect the hose adaptor to the inlet of the shower, then connect the garden hose to the hose adaptor and water supply.

## OPERATION

### FIRST USE

1. Turn the shower handle to the ON HOT position.

**NOTE:** Filling the tube with the valve in the hot position ensures no air pockets are trapped in shower.

**This procedure is for first use only.**

2. Turn on the water supply to the garden hose to fill the shower. It will take 5 to 6 minutes to fill up the shower.
3. When the water flows from the shower head, turn the shower handle off. Turning the shower handle off makes water begin heating in tube.
4. Depending on sunlight and outside temperature, the shower will take two to three hours to fully heat water.

**WARNING:** To avoid scald, always turn the shower handle to the cold water (blue) direction before using the shower. Then set to the desired temperature.

## WINTERIZATION

1. Turn off and disconnect the garden hose.
2. Open the handle to the full on hot position and allow the water to drain from the hose adaptor (about 7 to 8 minutes).

**NOTE:** Don't touch or turn shower handle while draining water, otherwise water will stop draining.

3. Turn the locking ring counterclockwise to separate the upper tube and the lower tube. Unbolt the lower shower tube and pour the remaining water out of tube.
4. Clean and dry the shower parts and move shower from outdoors to indoors. Store it in dry and warm place during winter season.

## WARNING

1. DO NOT USE SALT WATER OR ANTI-FREEZING METHODS.
2. WATER PRESSURE: MAX 3.5BARS
3. ALWAYS START YOUR SHOWER FROM COOL TO AVOID SCALD.

# DISCLAIMER

## PLEASE READ THE FOLLOWING CAREFULLY

THE MANUFACTURER AND/OR DISTRIBUTOR HAS PROVIDED THE PARTS LIST AND ASSEMBLY DIAGRAM IN THIS MANUAL AS A REFERENCE TOOL ONLY. NEITHER THE MANUFACTURER OR DISTRIBUTOR MAKES ANY REPRESENTATION OR WARRANTY OF ANY KIND TO THE BUYER THAT HE OR SHE IS QUALIFIED TO MAKE ANY REPAIRS TO THE PRODUCT, OR THAT HE OR SHE IS QUALIFIED TO REPLACE ANY PARTS OF THE PRODUCT. IN FACT, THE MANUFACTURER AND/OR DISTRIBUTOR EXPRESSLY STATES THAT ALL REPAIRS AND PARTS REPLACEMENTS SHOULD BE UNDERTAKEN BY CERTIFIED AND LICENSED TECHNICIANS, AND NOT BY THE BUYER. THE BUYER ASSUMES ALL RISK AND LIABILITY ARISING OUT OF HIS OR HER REPAIRS TO THE ORIGINAL PRODUCT OR REPLACEMENT PARTS THERETO, OR ARISING OUT OF HIS OR HER INSTALLATION OF REPLACEMENT PARTS THERETO.

**Record Product's Serial Number Here:** \_\_\_\_\_

**Note: If product has no serial number, record month and year of purchase instead.**

**Note: Some parts are listed and shown for illustration purposes only and are not available individually as replacement parts.**

## Questions, issues or missing parts?

Before returning to your retailer, our customer service team is here to help.



**Call Us: 909.628.0880**

**Email Us: [customer@xtremepowerusa.com](mailto:customer@xtremepowerusa.com)**

**Hours of Operation: 9am - 3pm PST Monday - Friday**

**MADE IN CHINA**