

XTREMEPOWER **US**

1.5HP ABOVE GROUND POOL PUMP & 19" 4500GPH SAND FILTER

ITEM #75032



OWNER'S MANUAL AND SAFETY INSTRUCTIONS

SAVE THIS MANUAL: KEEP THIS MANUAL FOR SAFETY WARNINGS, PRECAUTIONS, ASSEMBLY, OPERATING, INSPECTION, MAINTENANCE AND CLEANING PROCEDURES. WRITE THE PRODUCT'S SERIAL NUMBER ON THE BACK OF THE MANUAL NEAR THE ASSEMBLY DIAGRAM (OR MONTH AND YEAR OF PURCHASE IF PRODUCT HAS NO NUMBER).

FOR QUESTIONS PLEASE CALL OUR CUSTOMER SUPPORT: (909) 628 0880 MON-FRI 9AM TO 3PM PST



GENERAL SAFETY WARNINGS

SERIOUS BODILY INJURY OR DEATH CAN RESULT IF THIS PUMP AND SAND FILTER IS NOT INSTALLED AND USED CORRECTLY. INSTALLERS, POOL OPERATORS AND POOL OWNERS MUST READ THESE WARNINGS AND ALL INSTRUCTIONS BEFORE USING THIS PUMP AND SAND FILTER.

SAFETY

Most states and local codes regulate the construction, installation, and operation of public pools and spas, and the construction of residential pools and spas. It is important to comply with these codes, many of which directly regulate the installation and use of this product. Consult your local building and health codes for more information.

IMPORTANT: Attention Installer: This Installation and User's Guide contains important information about the installation, operation and safe use of this pump and sand filter. This Guide should be given to the owner and/or operator of this equipment.

- The sand filters are designed to work with water temperature $> 0^{\circ} \text{C}$ and $<$ than 45°C . The filter should never be operated outside of these temperatures or damage may occur. The installation should be carried out in accordance to the safety instructions of swimming pools and the specific instructions for each facility.
- A pool or spa pump must be installed by a qualified pool and spa service professional in accordance with the National Electrical Code and all applicable local codes and ordinances. Improper installation may create an electrical hazard which could result in death or serious injury to pool users, installers, or others due to electrical shock, and may also cause damage to property
- To reduce the risk of injury, do not permit children to use or operate this pump and sand filter.
- **DO NOT** store chemicals around your pool. Chemical spills and fumes can weaken swimming pools and/or spas.
- Any modifications of this equipment of the filter requires prior consent from the supplier's original replacement and accessories authorized by the manufacturer to ensure a high level of safety. The supplier assumes no liability for any damage or injuries caused by unauthorized replacement parts and/or accessories. In the even of defective operation or fault, contact the supplier or the nearest authorized service agent.
- When setting up pool water turnovers or flow rates the operator must consider local codes governing turnover as well as disinfectant feed ratios
- **DO NOT** increase pump size; this may increase the flow rate through the system and exceed the maximum flow rate stated on the drain cover.
- Pumps improperly sized or installed or used in applications other than for which the pump was intended can result in serious personal injury or death. These risks may include but not be limited to electric shock, fire, flooding, suction entrapment or serious injury or property damage caused by a structural failure of the pump or other system component

IMPORTANT SAFETY INFORMATION

WARNING

HIGH PRESSURE FROM THE SAND FILTER CAN CAUSE SEVERE INJURY OR MAJOR PROPERTY DAMAGE DUE TO TANK SEPARATION. RELEASE ALL PRESSURE AND READ INSTRUCTIONS BEFORE WORKING ON THE SAND FILTER. IF THE FILTER CLAMP IS ADJUSTED UNDER PRESSURE, THE TANK CAN SEPARATE, CAUSING SERIOUS INJURY OR MAJOR PROPERTY DAMAGE.

PUMPS REQUIRE HIGH VOLTAGE WHICH CAN SHOCK, BURN, OR CAUSE DEATH. BEFORE WORKING ON PUMP! ALWAYS DISCONNECT POWER TO THE POOL PUMP AT THE CIRCUIT BREAKER BEFORE SERVICING THE PUMP. FAILURE TO DO SO COULD RESULT IN DEATH OR SERIOUS INJURY TO SERVICE PERSON, POOL USERS OR OTHERS DUE TO ELECTRIC SHOCK.

⚠ DANGER SUCTION ENTRAPMENT HAZARD



POOL AND SPA PUMPS MOVE LARGE VOLUMES OF WATER, WHICH CAN POSE EXTREME DANGER IF A PERSON'S HAIR COMES IN PROXIMITY TO A DRAIN THAT IS NOT THE PROPER SIZE FOR THE PUMP OR PUMPS.

The Virginia Graeme Baker Pool and Spa Safety Act imposes certain new requirements on owners and operators of swimming pools and spas. Pools or spas constructed on or after December 20, 2008, shall utilize:

- (A) No submerged suction outlets, a gravity drainage system with ASME/ANSI cover(s), one or more unblock-able outlets; or
- (B) A multiple main drain system without isolation capability with suction outlet covers that meet ASME/ANSI A112.19.8 Suction Fittings for Use in Swimming Pools, Wading Pools, Spas, and Hot Tubs and either:
 - (i) A safety vacuum release system (SVRS) meeting ASME/ANSI A112.19.17 Manufactured Safety Vacuum Release Systems (SVRS) for Residential and Commercial Swimming Pool, Spa, Hot Tub, and Wading Pool Suction Systems and/or ASTM F2387 Standard Specification for Manufactured Safety Vacuum Release Systems (SVRS) for Swimming Pools, Spas and Hot Tubs or
 - (ii) A properly designed and tested suction-limiting vent system or
 - (iii) An automatic pump shut-off system.

Pools and spas constructed prior to December 20, 2008, with a single submerged suction outlet shall use a suction outlet cover that meets ASME/ANSI A112.19.8 and either:

- (A) A multiple main drain system without isolation capability, or
- (B) A safety vacuum release system (SVRS) meeting ASME/ANSI A112.19.17 and/or ASTM F2387, or
- (C) A properly designed and tested suction-limiting vent system, or
- (D) An automatic pump shut-off system, or
- (E) Disabled submerged outlets, or
- (F) Suction outlets shall be reconfigured into return inlets.

IMPORTANT SAFETY INFORMATION

WARNING

This filter operates under high pressure. When any part of the circulating system (e.g., clamp, pump, filter, valves, etc.) is serviced, air can enter the system and become pressurized. Pressurized air can cause the lid or control valve to separate which may result in serious injury, death, or property damage. To avoid this potential hazard, follow these instructions.

1. Before repositioning valves and before beginning the assembly, disassembly, or adjustment of the clamp or any other service of the circulating system:
 - (a) Turn the pump off and shut off any automatic controls to ensure the system is not inadvertently started during the servicing;
 - (b) Open manual air relief valve;
 - (c) Wait until all pressure is relieved, pressure gauge must read zero (0).
2. Whenever installing the filter clamp, follow the filter valve and clamp installation instructions exactly.
3. Once service on the circulating system is complete, follow system restart instructions exactly.
4. Maintain circulation system properly. Replace worn or damaged parts immediately (e.g., clamp, pressure gauge, relief valve, o-rings, etc.).
5. Be sure that the filter is properly mounted and positioned according to instructions provided.

WARNING

Failure to operate your filter system or inadequate filtration can cause poor water clarity obstructing visibility in your pool and can allow diving into or on top of obscured objects, which can cause serious personal injury or drowning.

This filter operates under pressure. With the valve clamped properly and operated without air in the system, this filter will operate in a safe manner. Air entering the filter and the valve not clamped correctly can cause the valve to separate, which could cause serious personal injury and/or property damage.

Always turn pump off before changing valve positions. Changing valve positions while the pump is running can damage the control valve, which may cause serious injury or property damage.

Chemical fumes and/or spills can cause serious corrosion to the filter and pump structural components. Structurally weakened components can cause filter, pump or valve attachments to separate and could cause serious bodily injury or property damage. High voltage can cause serious or fatal injury. Always install a suitable GFCI at the power source of this unit as an added safety precaution. Article 681-31 of the NEC requires that a GFCI be used if this pump is used with a storable pool.

NEVER work on the pump while it is running or power is still connected. High voltage can cause serious or fatal injury. A suitable ground fault interrupter should always be installed at the power supply source of this unit. Be sure to ground the motor before connecting to electrical AC power supply. Failure to ground the motor can cause serious or fatal electrical shock hazard. **DO NOT** ground to a gas supply pipe line.

FOR CORD AND PLUG CONNECTED UNITS: Connect only to a ground type receptacle protected by a Ground Fault Circuit Interrupter (GFCI). Contact a qualified electrician if you cannot verify that the receptacle is protected by GFCI. Do Not Bury Cord. Locate cord to minimize abuse from lawn mowers, hedge trimmers, and other equipment. To reduce the risk of electrical shock, replace damaged cord immediately. To reduce the risk of electrical shock, Do Not Use an extension cord to connect unit to electrical supply; provide a properly located outlet.

INSTALLATION

SAND FILTRATION WORKING PRINCIPLE

Incoming water from the piping system is automatically directed by the multi-port valve to the top of the filter bed. As the water is pumped through the filter sand, dirt and debris are trapped by the filter bed, and filtered out. The filter water is returned from the bottom of the filter tank., through the multi-port and back through the piping system .

PREPARATION BEFORE INSTALLATION

1. Position the filter as close to the swimming pool / spa as possible.
2. The filter should be placed on a level concrete slab, very firm ground, or equivalent. Ensure that the ground will not subside to prevent any strain to the attached plumbing.
3. Position the filter so that the piping connections, Multi-Port Valve and winter drain is convenient and accessible for operation, servicing and winterizing.
4. Ensure that the compliance label is facing the front to allow easy identification in the case of service difficulties.

INSTALLATION

WARNING: This product should be installed and serviced only by a qualified professional.

1. Put the filter tank on the base. Turn the filter tank to the right to tighten it. Position the outlet drain plug so it is facing outside for easy operation.
2. Before filling the filter media into the filter vessel, do a visual check of the laterals. Look for broken or loose laterals. Replace if necessary. The laterals of side-mount valve sand filter are all installed.
3. Match the Raised Point of the laterals to Folding Umbrella lateral holder, insert the laterals and turn 90° clockwise. Listen for a sound to confirm the lateral is in place.
4. Make sure the air release hose is running along side the body of the lateral holder. One end of the air release hose **MUST** be out of the sand. **DO NOT** bury the air release hose in the sand.
5. To eliminate stress on the laterals, fill the filter vessel with enough water to provide a cushioning effect when the filter sand is poured in.
6. Use Sand Shield to protect the filter top mount and make sure the central stem pipe has been fully covered.
7. Carefully pour the exact amount of sand into the filter vessel. **DO NOT** allow sand to go into the stem pipe. **DO NOT** damage the filter top mount or it can cause a leak.
8. Put the O-Ring on the top mount valve and then connect the valve on the filter vessel. The stem pipe should be straight and aligned with the top mount valve. Tighten the flange clamp on the valve. **NOTE:** The flange clamp should be in place and tight or it could cause injuries.
9. To connect the pump to the base, use the screws from the pump hardware pack.
10. Adjust the valve position. The pressure hose connects to the pump output/input valve.
11. The other two connection ends of the valve connect to the swimming pool and the drain outlet hose.

INSTALLATION NOTES

1. Make sure the filter is operating under the working pressure and using a pressure control valve when the system is using a booster pump.
2. To aid in winterization and maintenance it is recommended that a separate gate valve be installed.
3. Minimize the length of pipe and the number of fittings to minimize friction loss to ensure maximum efficiency.
4. Connect all plumbing to the Multi-port Valve taking care that all joints are glued or tightened securely to prevent leaking.
5. To prevent breakage and damage to the pump and Multi-port Valve, use only pipe sealants specifically formulated for plastics.
6. Ensure solvents are not excessively applied to fittings as this could run into O-Rings and create sealing problems.
7. **DO NOT** over tighten fittings or adapters.

MULTI-PORT VALVE INSTALLATION

Top Mount Sand Filters are supplied with a screw down Multi-port Valve. Supplied with the Multi-port Valve are Flange clamp, screws and O-Ring.

1. Screw the barrel unions onto the threaded ports on the Multi-port Valve.
2. When rotating the Multi-port Valve into position on a Top Mount Filter, leave some leeway for better alignment of plumbing.
3. Once the Multi-port Valve is in position and the plumbing is aligned, apply the thread tape to the barrel union thread.
4. Using a roll of Teflon tape, wrap the Teflon tape around the thread (tail) of the barrel union in a clockwise direction.
5. Screw the barrel union into the thread of the Multi-port Valve and hand tighten. The barrel union should be firmly threaded into the Multi-port Valve and there should be no play between the thread.
6. Once you have done this tighten the barrel union with an appropriate tool until it is tight.
7. Repeat steps until all barrel unions are firmly onto the Multi-port Valve.
8. Glue the plumbing to the Barrel unions and allow 24 hours for glue (solvent) to set before starting the filter.
9. Test the filter and check for leaks around the threads. If leaking occurs disconnect plumbing and repeat the steps 2 to 6 until the leak has stopped.

INITIAL STARTUP OF FILTER

Confirm correct amount of filter media is in tank and that all connections have been made and are secure.

1. Depress Multi-port Valve handle and rotate to the **BACKWASH** position. **NOTE:** To prevent damage to control valve seal, always depress handle before turning.
2. Switch on the Pump. (OPTIONAL) If a gate valve is installed open the valve before turning on the pump, allowing the filter tank to fill with water.
3. Once water flow is steadily exiting the waste line, run the pump for at least one minute. The initial backwashing of the filter is recommended to remove any impurities or fine sand particles in the filter media.
4. Turn the pump off. Set the Multi-port Valve to the **RINSE** position. Switch on the Pump and allow it to run until water in sight glass is clear - approximately 10 to 15 seconds.
5. Switch off the Pump. Set the Multi-port Valve to the **FILTER** position and Switch on the Pump. Your filter is now operating in the normal filter mode.
6. Adjust pool suction and return valves to achieve desired flow. Check the plumbing and filter for water leaks and tighten connections, bolts, and nuts, as required. **NOTE:** During initial clean-up of the pool water, it may be necessary to backwash frequently due to the unusually heavy initial dirt load.
7. Record the pressure gauge reading (start up pressure) during initial operation. After a period of time, the accumulated dirt and debris in the filter causes a resistance to flow, and the flow diminishes. The pressure will start to rise and the flow of water will start diminishing. When the pressure gauge reading is 8-10 PSI higher than the initial "Start up" pressure, it is time to backwash (clean) the filter.

CAUTION: All suction and discharge valves must be open when starting the pump. Failure to do so could cause severe personal injury and/ or property damage. **NOTE:** If a pump is installed, switch the pump on and off, instead of closing and opening the optional gate valve.

NOTE: To prevent unnecessary strain on piping system and valve, always shut off the pump before switching filter control valve position. To prevent damage to the pump and filter and for proper operation of they system, clean pump strainer and skimmer baskets regularly.

BACKWASHING CONDITIONS

The function of backwashing is to separate the deposited particles from filter media grains and flush them from the filter bed. Backwashing is achieved by reversing the flow of water through the filter bed at a fairly high flow rate. This high flow rate expands the filter bed and the water collects the debris taking it to waste.

Time for backwashing is determined by the following conditions:

1. The flow rate through the filter bed decreases until it is insufficient to meet the demand.
2. The removal efficiency of the filter bed decreases to the point where the effluent quality deteriorates and is no longer acceptable.
3. When the pressure gauge reading is 8-10 PSI higher than the start up pressure.
4. If the filter is connected to the water main, pressure rise is not an accurate indicator as water main pressure tends to fluctuate. It is best to rely on the actual flow rate.

NOTE: We recommend that you backwash a swimming pool sand filter in a residential installation at least once a month.

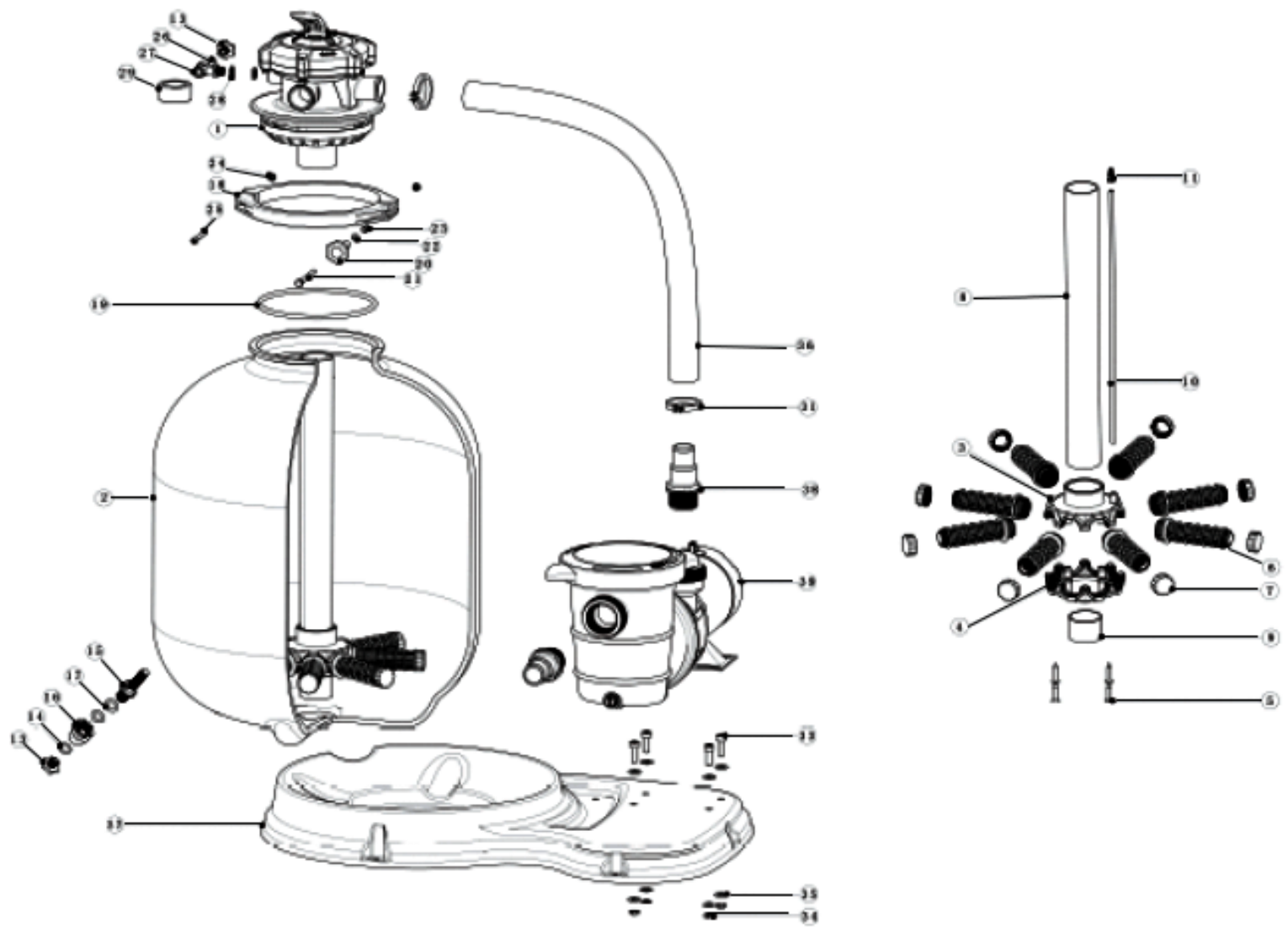
IMPORTANCE OF BACKWASHING

The importance of backwashing cannot be overstated. Dense filter media can become “packed” without proper and frequent enough backwashing. Debris will remain trapped and create channelling within the filter bed. This will result in the filter bed exhausting early. Moreover, if debris is not flushed from the media grains, the filter bed will become dirtier and dirtier as time goes on until the filter operation fails.

BACKWASHING INSTRUCTIONS

1. Switch off the Pump. Close the Inlet Valve. **NOTE:** If a pump is installed, switch the pump on and off, instead of closing and opening the Gate Valve.
2. Release the filter’s pressure by loosening Pressure Release Valve until the Pressure Gauge needle drops to zero <0>.
3. Re-tighten Pressure Release Valve.
4. Depress and turn Handle to the **BACKWASH** position. In the **BACKWASH** position, the water flow is automatically reversed through the filter so that it is directed to the bottom of the filter vessel, up through the sand, flushing the previously trapped dirt and debris out the waste line.
5. Switch on the Pump. Backwash water will flow out through drain pipe.
6. When the backwash water in the sight glass appears clear, switch off the Pump.
7. Depress and turn the handle to the **RINSE** position. In the **RINSE** position, the water flow is directed through the filter bed and out of the filter through the backwash outlet. This process settles the filter media bed into place and ensures any dirt or debris is rinsed out of the filter, preventing possible return to the pool.
8. Switch on the Pump. Rinse water will flow out through the drain pipe.
9. When the rinse water in the sight glass appears clear. Switch off the Pump.
10. Depress and turn the handle to the Filter position and switch on the Pump.

PARTS LIST



No.	Description	No.	Description	No.	Description	No.	Description
1	Outer six angle nut	11	Hexagonal handle	21	Catchment arm end cap	31	PVC hose
2	Flange bolt rubber pad	12	Gasket	22	Catchment arm	32	Throat hoop
3	Valve exhaust joint body	13	Liner	23	Exhaust pipe	33	Fitting
4	Pressure gauge	14	O-ring	24	Exhaust pipe cap	34	Pump
5	Valve exhaust joint pad	15	Tank	25	Plastic bolt	35	Screw
6	1.25" top valve	16	PVC pipe	26	Plastic bolt o-ring	36	Pad
7	Stainless steel bolts	17	catchment arm upper cover	27	Conical plastic nut	37	Nut
8	Clamp	18	catchment arm lower cover	28	O-ring		
9	Square stainless steel nut	19	Catchment arm pipe	29	Hexagonal drain bolt		
10	Hexagonal head bolts	20	Countersunk tapping screw	30	Base		

DISCLAIMER

PLEASE READ THE FOLLOWING CAREFULLY

THE MANUFACTURER AND/OR DISTRIBUTOR HAS PROVIDED THE PARTS LIST AND ASSEMBLY DIAGRAM IN THIS MANUAL AS A REFERENCE TOOL ONLY. NEITHER THE MANUFACTURER OR DISTRIBUTOR MAKES ANY REPRESENTATION OR WARRANTY OF ANY KIND TO THE BUYER THAT HE OR SHE IS QUALIFIED TO MAKE ANY REPAIRS TO THE PRODUCT, OR THAT HE OR SHE IS QUALIFIED TO REPLACE ANY PARTS OF THE PRODUCT. IN FACT, THE MANUFACTURER AND/OR DISTRIBUTOR EXPRESSLY STATES THAT ALL REPAIRS AND PARTS REPLACEMENTS SHOULD BE UNDERTAKEN BY CERTIFIED AND LICENSED TECHNICIANS, AND NOT BY THE BUYER. THE BUYER ASSUMES ALL RISK AND LIABILITY ARISING OUT OF HIS OR HER REPAIRS TO THE ORIGINAL PRODUCT OR REPLACEMENT PARTS THERETO, OR ARISING OUT OF HIS OR HER INSTALLATION OF REPLACEMENT PARTS THERETO.

Record Product's Serial Number Here: _____

Note: If product has no serial number, record month and year of purchase instead.

Note: Some parts are listed and shown for illustration purposes only and are not available individually as replacement parts.



SAVE THESE INSTRUCTIONS.

The material in this manual is for informational purposes only. The product(s) it describes are subject to change without prior notice, due to the manufacturer's continuous development program. XtremePowerUS makes no representations or warranties with respect to this manual or with respect to the products described herein. XtremePowerUS shall not be liable for any damages, losses, costs or expenses, direct, indirect or incidental, consequential or special, arising out of, or related to the use of this material or the products described herein.

Questions, issues or missing parts?

Before returning to your retailer, our customer service team is here to help.



Call Us: 909.628.0880

Email Us: customer@xtremepowerusa.com

Hours of Operation: 9am - 3pm PST Monday - Friday

PRODUCT MADE IN CHINA