



POOL CLEANER 2-WHEEL SUCTION

ITEM # 75051



OWNER'S MANUAL AND SAFETY INSTRUCTIONS

SAVE THIS MANUAL. KEEP THIS MANUAL FOR SAFETY WARNINGS, PRECAUTIONS, ASSEMBLY, OPERATION, INSPECTION, MAINTENANCE AND CLEANING PROCEDURES. WRITE THE PRODUCT'S SERIAL NUMBER ON THE BACK OF THE MANUAL, OR THE MONTH AND YEAR OF PURCHASE IF PRODUCT HAS NO SERIAL NUMBER

FOR QUESTIONS, PLEASE CALL CUSTOMER SERVICE: 909.628.0880

SAFETY INFORMATION

WARNING

Read all safety warnings and instructions. Failure to follow the warnings and instructions may result in injury and/or property damage. Save all warnings and instructions for future reference.

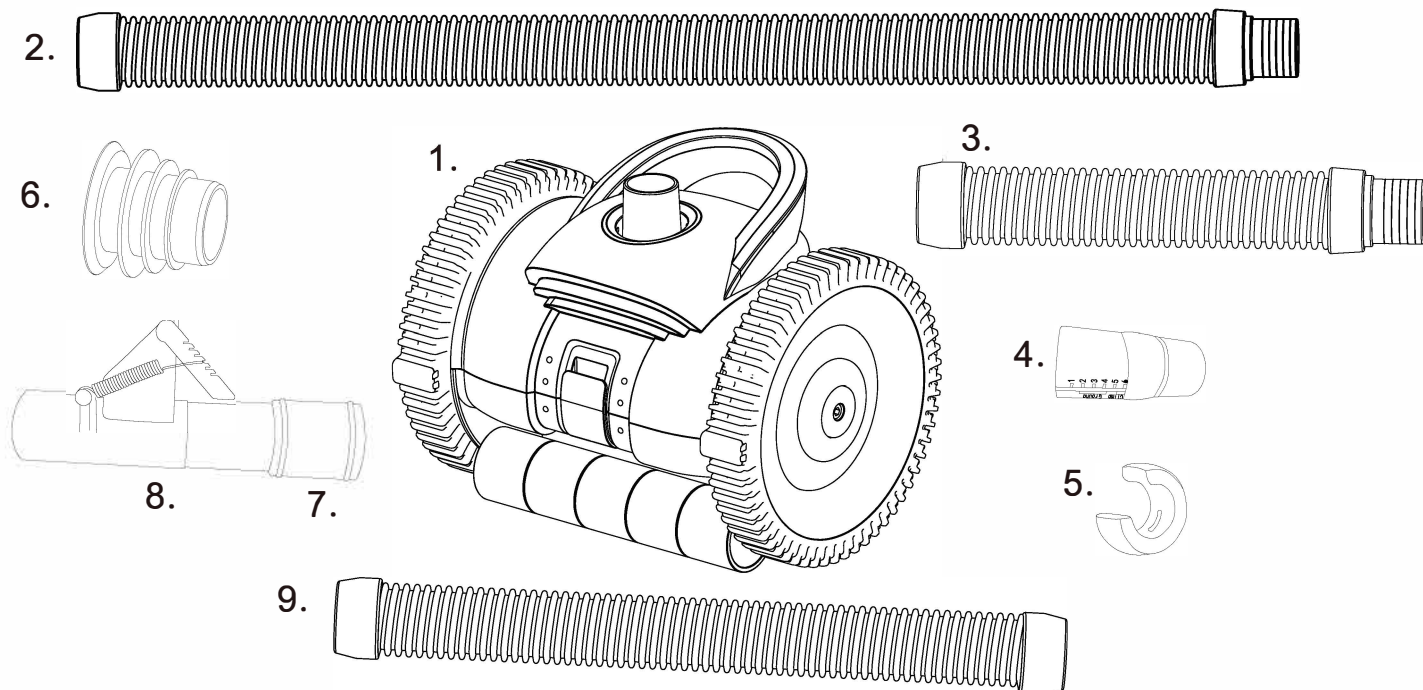
The warnings, precautions, and instructions discussed in this instruction manual cannot cover all possible conditions and situations that may occur. It must be understood by the operator that common sense and caution are factors which cannot be built into this product, but must be supplied by the operator.

- If you have one, be sure to cover your suction port/vac port/ automatic pool cleaner port when not in use by the cleaner.
- **DO NOT** allow anyone, especially children, to use or play with or around the cleaner or hose. Children must be supervised when the cleaner is operating.
- **DO NOT** enter the pool when the cleaner is in use.
- Make sure the cleaner and hose are removed completely from the pool. Swimmers can become entangled in the hose.
- Make sure the cleaner is powered off and unplugged before performing any maintenance.
- Keep the power supply out of standing water.
- Position the power supply at least 12ft away from the edge of the pool
- **DO NOT** coil the hose. Store the hose laying straight otherwise it will create a kink over time and not move around the pool freely.
- Remove the pool cleaner when performing any backwashing, pool maintenance or when swimmers enter the pool.
- When removing or storing the cleaner, always store it in a clean, dry and shaded room.
- **DO NOT** run the cleaner under a pool cover.

SAVE THESE WARNINGS.

PARTS INFORMATION

NO	Description	Quantity
1	Head Cleaner	1
2	Hose Lengths	14
3	Leader Hose	1
4	Flow Gauge	1
5	Hose Float	2
6	Control Valve Adapter	1
7	Hose Adapter (fitted to Flow Control Valve)	1
8	Flow Control Valve	1
9	Female Female Hose	1



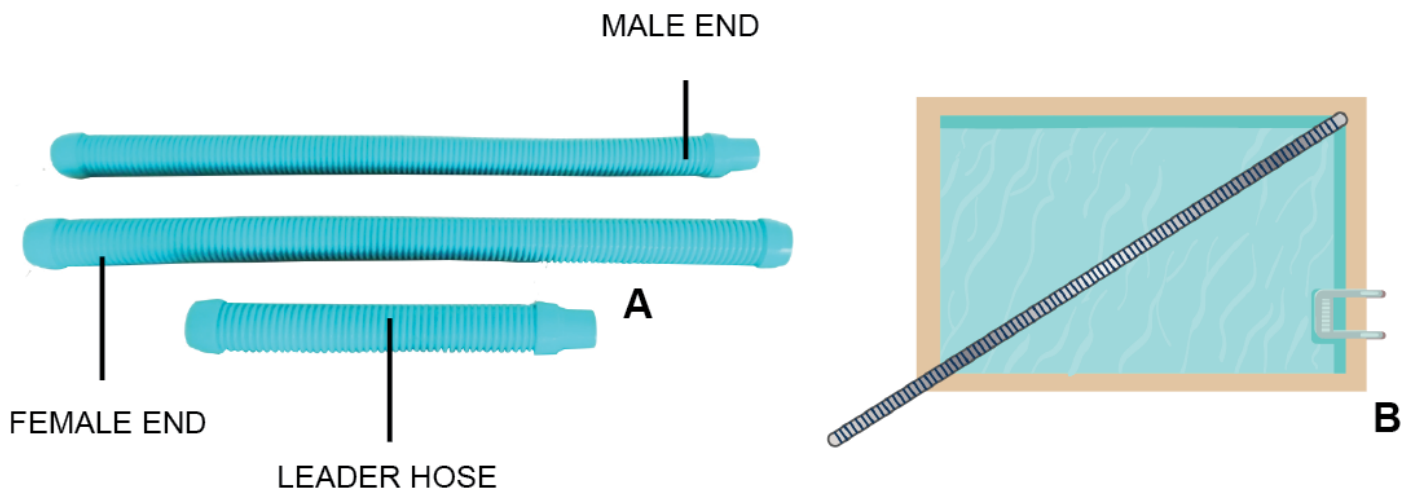
ASSEMBLY

BEFORE INSTALLING THE CLEANER, CONFIRM YOU HAVE DONE THE FOLLOWING:

- Prior to installing your cleaner, you must do an inspection of your pool. For vinyl pools you must inspect the lining of your pool for wrinkles, tears, rocks under the liner. Make sure your pool is in good condition and if any damage is noted in the pool, do not use the cleaner until the issues are remedied.
- Clean the filter system before installing the cleaner. Make sure to backwash as well. The cleaner will not work properly until the filter system is thoroughly clean and free of debris. The filter basket should be cleaned as well.
- The chemical PH should be maintained at ideal levels to prohibit algae growth.
- The cleaner is not designed to work on steps or ladders. These will need to be cleaned manually.
- Remove the cleaner from the water when performing routine maintenance on the pool like adding chlorine or other chemicals. Wait at least 4 hours before putting the cleaner back in the water after a new treatment.
- Make sure to brush the pool before using the cleaner to loosen any debris.

ASSEMBLING THE CLEANER

1. Connect your hoses. Be sure to connect the male end of the hose with the female end. Make sure they are not loosely connected.
2. Connect the remaining female end of the leader hose to the swivel at the top of the cleaner.
3. Add the hose floats to the cleaner. Make sure the first hose is about 12" from the swivel on the cleaner and the second hose is about 10" from the first float.
4. Then connect the remaining hose to cover the distance from the vacuum point to the furthest point of your pool. Make sure you have enough hose to accomplish this. See diagram below. See Fig. B
5. Connect the last female hose cuff to the male cuff on the leader (shorter) hose. Then connect the male hose to the flow control valve inside the skimmer, or directly to the suction port of the pool. See Fig. A



INSTALLATION

A flow control valve must be used when using the pool skimmer. Confirm that the pool pump is turned off and make sure there is no air left in the hose and cleaner.

1. Confirm the pool pump is powered OFF.
2. Remove all air from the cleaner and hose.

TIP: The best way to achieve this is to confirm the hose sections are tightly fitted together and the cleaner is attached to the hose. Then switch the pool pump ON. Next, take the open end of the hose and hold it over one of the pool return lines / inlets, then switch the pool pump OFF.

3. Attach Flow Control Valve to the Male Hose (smaller end).
4. Remove the skimmer basket.
5. Insert the flow control valve into the skimmer. If there are two holes at the bottom of the skimmer, place it into the one at the back (the hole farthest from the opening in the skimmer).
6. Turn the pool pump ON and the cleaner will begin vacuuming your pool.

TIP: The flow may need adjusted depending on your pool. Set the flow for the ideal water flow by adjusting the flow meter. 1 is medium flow up to 6 which is maximum flow.

CONNECTING TO A VACUUM LINE

1. Confirm the pool pump is powered OFF.
2. Remove all air from the cleaner and hose.
3. Open the flap on the vacuum line wall fitting and insert the male open end of the hose. Confirm it is secured.
4. If more or less flow is required, adjust valves at pool pad as needed.

The cleaner comes with standard setting, once it is in the pool you need to adjust the wheel RPM. The optimal RPM for your Pool Cleaner should be between 11 and 14.

NOTE: Pool Cleaner will still clean you pool at lower RPM, but it may struggle to move around corners, steps etc. While your cleaner is running, bring it up to right beneath the surface of the pool water.

NOTE: Keep the cleaner below the surface of the water or it will take in air. It is best to do this step at the shallow end of the pool. The pump must be operating so the pool cleaner is running.

TROUBLESHOOTING

IF THE CLEANER WON'T RUN:

1. Make sure the cleaner is turned off and remove it from the pool and remove the hose. Check that there is nothing clogging the hose.
2. If the wheels won't rotate, remove the cover of the cleaner and unscrew the shroud and place it to the side. Remove any noticeable debris. Reattach the shroud and cover.

CLEANER WON'T MOVE:

1. Confirm the drain is closed and make sure the strainer and filter are clear of debris.
2. Make sure there is adequate flow to the cleaner. Adjust the valves to achieve optimum flow.
3. Check for any leaks in the pool cleaner.

CLEANER WONT CLIMB:

1. Increase flow to the cleaner.
2. Confirm the float is in the right position.
3. Make sure the tires are not worn or damaged, this will affect the cleaner's ability to climb. If the tires are worn, replace them immediately before using the cleaner.
4. Confirm that the climbing option is selected.

CLEANER WONT CLIMB:

1. Increase/decrease flow to the cleaner.
2. Confirm the hose length is sufficient to extend across the pool's length.
3. Make sure the tires are not worn or damaged, this will affect the cleaner's ability to climb. If the tires are worn, replace them immediately before using the cleaner.
4. Confirm that the hose flat option is selected.

CLEANER STAYS ON THE MAIN DRAIN:

1. Confirm the drain is closed and make sure the grate is present.
2. Put the tire bumpers on the cleaner.

DISCLAIMER

PLEASE READ THE FOLLOWING CAREFULLY

THE MANUFACTURER AND/OR DISTRIBUTOR HAS PROVIDED THE PARTS LIST AND ASSEMBLY DIAGRAM IN THIS MANUAL AS A REFERENCE TOOL ONLY. NEITHER THE MANUFACTURER OR DISTRIBUTOR MAKES ANY REPRESENTATION OR WARRANTY OF ANY KIND TO THE BUYER THAT HE OR SHE IS QUALIFIED TO MAKE ANY REPAIRS TO THE PRODUCT, OR THAT HE OR SHE IS QUALIFIED TO REPLACE ANY PARTS OF THE PRODUCT. IN FACT, THE MANUFACTURER AND/OR DISTRIBUTOR EXPRESSLY STATES THAT ALL REPAIRS AND PARTS REPLACEMENTS SHOULD BE UNDERTAKEN BY CERTIFIED AND LICENSED TECHNICIANS, AND NOT BY THE BUYER. THE BUYER ASSUMES ALL RISK AND LIABILITY ARISING OUT OF HIS OR HER REPAIRS TO THE ORIGINAL PRODUCT OR REPLACEMENT PARTS THERETO, OR ARISING OUT OF HIS OR HER INSTALLATION OF REPLACEMENT PARTS THERETO.

Record Product's Serial Number Here: _____

Note: If product has no serial number, record month and year of purchase instead.

Note: Some parts are listed and shown for illustration purposes only and are not available individually as replacement parts.



SAVE THESE INSTRUCTIONS.

Questions, issues or missing parts?

Before returning to your retailer, our customer service team is here to help.



Call Us: 909.628.0880

Email Us: customer@xtremepowerusa.com

Hours of Operation: 9am - 3pm PST Monday - Friday

PRODUCT MADE IN CHINA