



A-FRAME ABOVE GROUND POOL LADDER

ITEM # 75136



OWNER'S MANUAL AND SAFETY INSTRUCTIONS

SAVE THIS MANUAL. KEEP THIS MANUAL FOR SAFETY WARNINGS, PRECAUTIONS, ASSEMBLY, OPERATION, INSPECTION, MAINTENANCE AND CLEANING PROCEDURES. WRITE THE PRODUCT'S SERIAL NUMBER ON THE BACK OF THE MANUAL, OR THE MONTH AND YEAR OF PURCHASE IF PRODUCT HAS NO SERIAL NUMBER

FOR QUESTIONS, PLEASE CALL CUSTOMER SERVICE: 909.628.0880

SAFETY WARNINGS

WARNING

Read all safety warnings and instructions. Failure to follow the warnings and instructions may result in injury and/or property damage. Save all warnings and instructions for future reference.

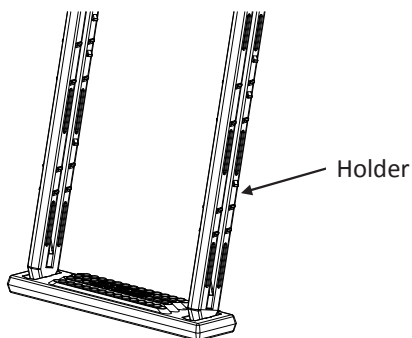
The warning and safety instructions in this manual are not meant to cover all possible conditions and situations that may occur. Common sense, caution and care must be exercised when operating or cleaning tools and equipment. Always contact your dealer, distributor, service agent or manufacturer about problems or conditions you do not understand before operating the product.

- Locate the ladder on a solid, flat surface.
- One person should be permitted on the ladder at a time.
- The Ladder **MUST** be installed and used per manufacturers instructions only.
- **DANGER: No Jumping or Diving from ladder.**
- Do not let children play on or near the ladder
- In order to avoid injury during the installation and handling of heavy objects, it is recommended to have two people carry the ladder at a time.
- To prevent entrapment or drowning **DO NOT** swim through, behind or around ladder.
- **DO NOT** install the ladder at the suction point.
- Exceeding the maximum weight restriction of 250lbs may cause the ladder to fail.
- When ladder is not in use be sure lock up outer treads.

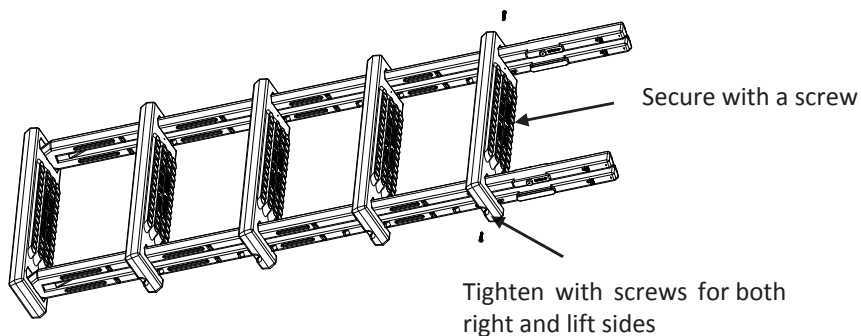
SAVE THESE WARNINGS.

ASSEMBLY

1. Remove the A-Frame ladder and its accessories from the box and check whether all the accessories are complete.
2. First place the bottom tread on a flat surface with the grooved side facing up; then snap the two holders into the groove. Note: The two holders need to be snapped into the groove in the same direction.

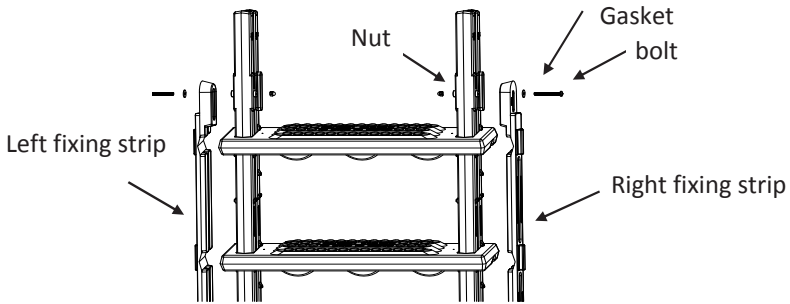


3. Install four treads to the holder, see the picture as below. Affix the top tread to the holder by #10x1-1/4 screws.

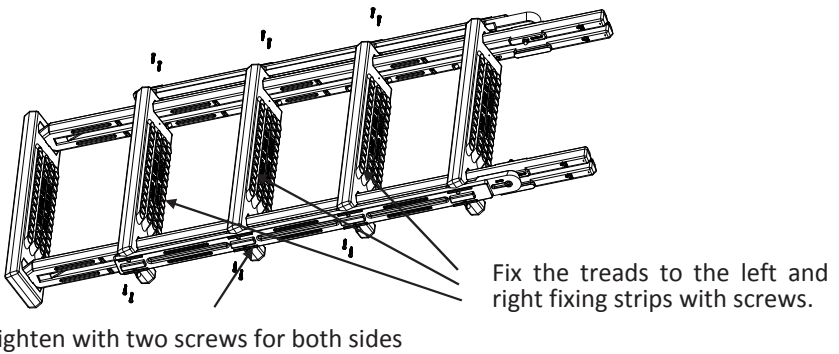


ASSEMBLY

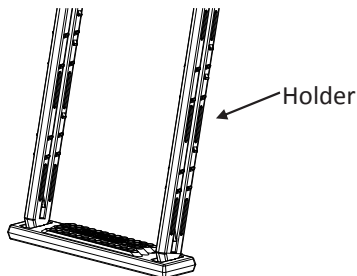
4. Affix the left and right fixing strips with bolt & gasket (M6), and nut M6*85, do not over tighten (the accessories are in screw kit 5862050002)



5. Use the 10x1-1/4 screws to affix the other three treads. Then put aside for later.

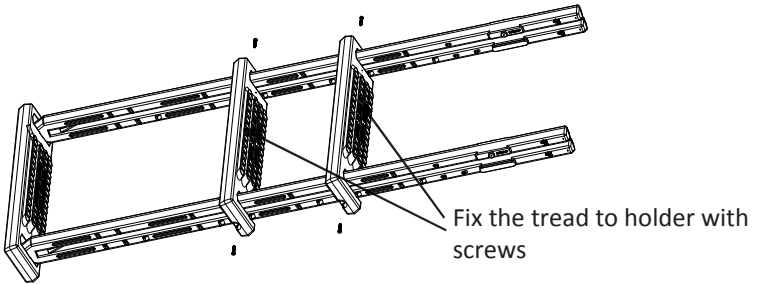


6. Put another bottom tread on a flat surface with the grooved side facing up. Then snap the two holders into the groove. Note: The two holders need to be snapped into the groove in the same direction.

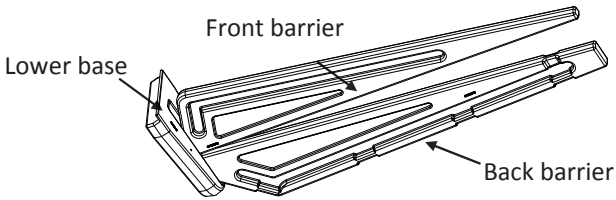


ASSEMBLY

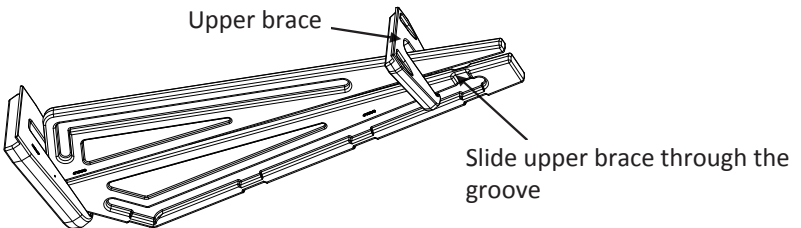
7. Fix the treads to the holders with screws with #10x1-1 / 4 .



8. Place the Lower Base on a level surface. Snap the front barrier into the groove on the lower base facing round edge. Snap the back barrier into the groove on the lower base facing the straight side.



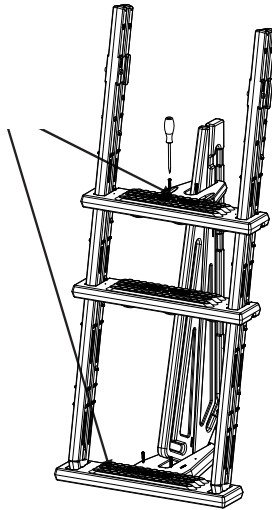
9. Slide the upper brace over the front barrier as shown. Slide the upper brace through the groove in the Back Barrier and push down lightly to secure.



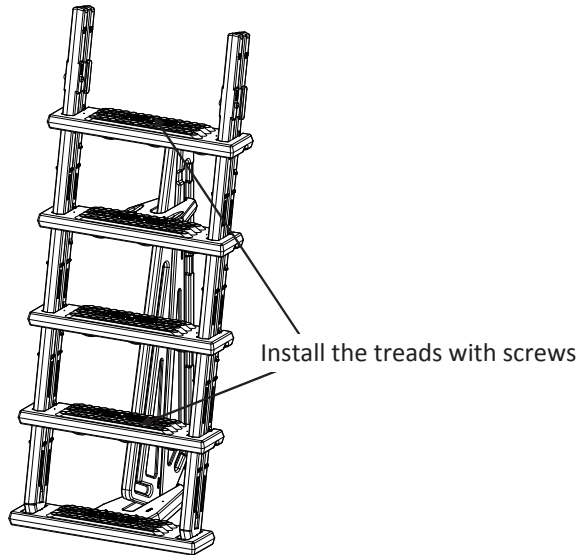
ASSEMBLY

10. Affix the lower base of the entrapment barrier into bottom step of the Inside portion of the Ladder with 2 pieces 10 x 1-1/4# screws.

Affix the barrier onto these two positions.

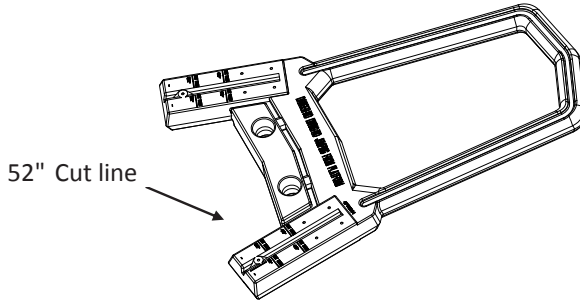


11. Affix the remaining two treads with 10 x 1-1/4 screws to the holder in the groove positions

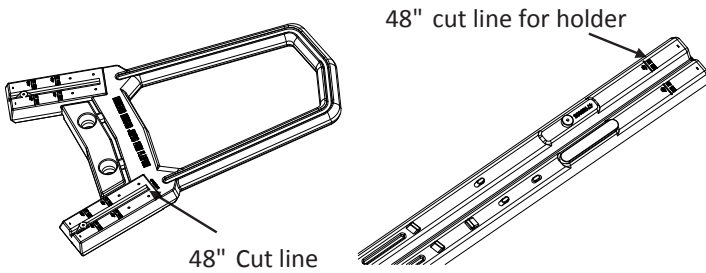


ASSEMBLY

12. The ladder is designed to fit multiple pool heights. If your pool height is 52", locate the first line on the handrail of the ladder. Using a hacksaw, cut the handrail evenly through both sides.



If the pool height is 48", locate the second line on the handrail. Using a hacksaw, cut the handrail evenly through both sides. Locate the line on the holder and cut the redundancies evenly through both sides.

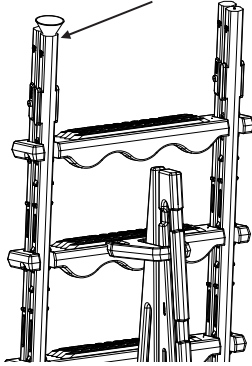


If your pool height is 54" there is no need to cut it.

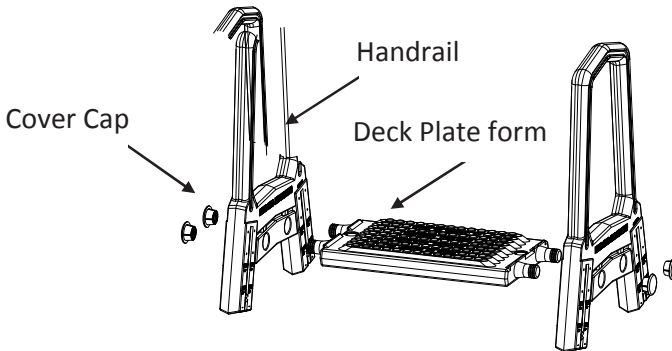
ASSEMBLY

13. Using a funnel, fill both holders with sand. Use approximately 20 Lbs. of sand in each holder. The barrier in step 11 have the front and back barrier.

Fill holder with sand using a funnel



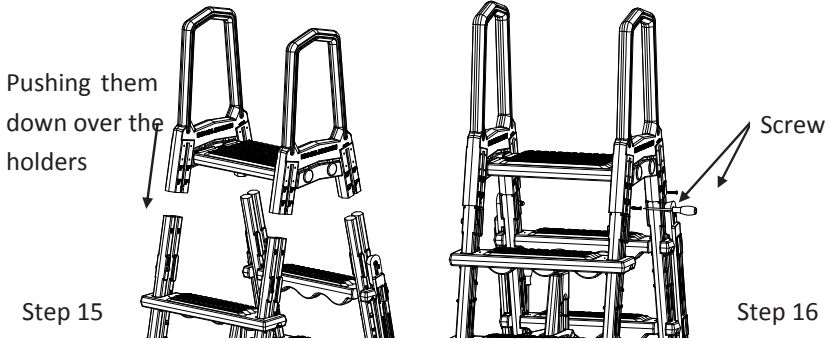
14. Assemble the handrails to the platform. Center the cover cap opening on the side of the handrail when the platform was just attached. Using a rubber mallet/hammer, tap on the cap until the cap is flush with the handrail.



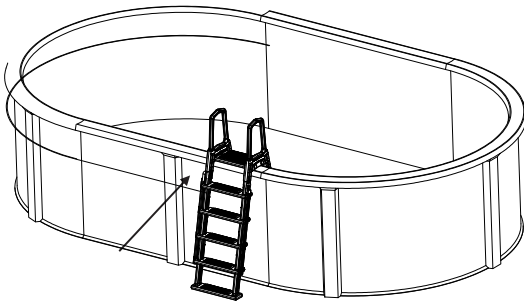
15. Attach handrails by pushing them down over the holders.

ASSEMBLY

16. Secure all handrails to the legs with #10 1-1/4# screws

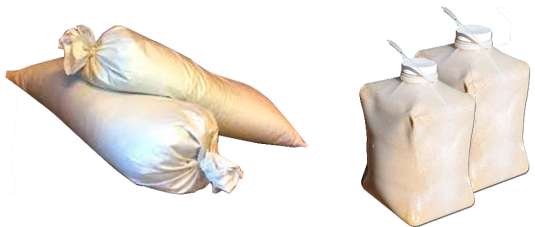


Place the ladder inside the pool where you want to enter and exit. The entrapment barrier should be inside of the pool. Once the ladder is placed in the pool, tip the ladder forwards and backwards and side to side to release any air that may be trapped inside.



The swing up outer tread is at the outside of pool

Place weighted sandbags and/or sand-filled containers on the base of the steps to secure it in place. Sold separately.



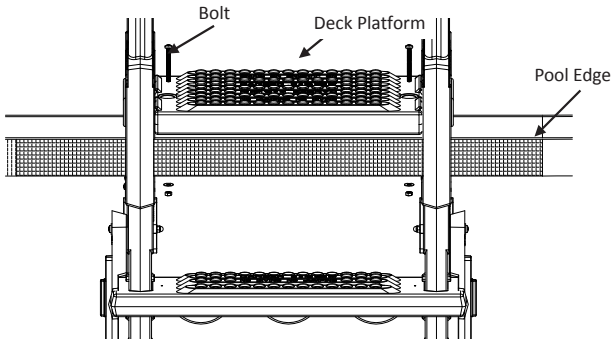
ASSEMBLY

The A-Frame ladder must be fixed on the edge of the pool. First, align the two holes on the surface of the deck platform with the edge of the pool, mark the hole positions at the edge of the pool with a fine marker pen, then drill through the edge of the swimming pool with a 5 / 16 " drill bit, and finally use bolts, nuts and washers to fix the ladder on the edge of the swimming pool.

If your pool height is 48", use the 2.5 bolt 5862050000 screw kit.

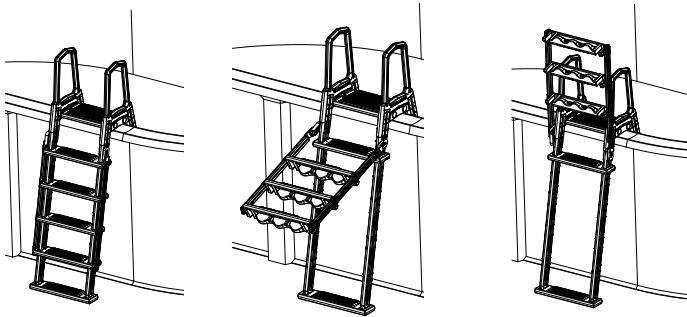
If your pool height is 52", use the 5 bolt 58620500001 screw kit.

If your pool height is 54", use the 5 bolt 5862050001 screw kit.



Routine Maintenance

When the swimming pool is not in use, it is recommended to flip the outer ladder upwards, then push it down and fix it.



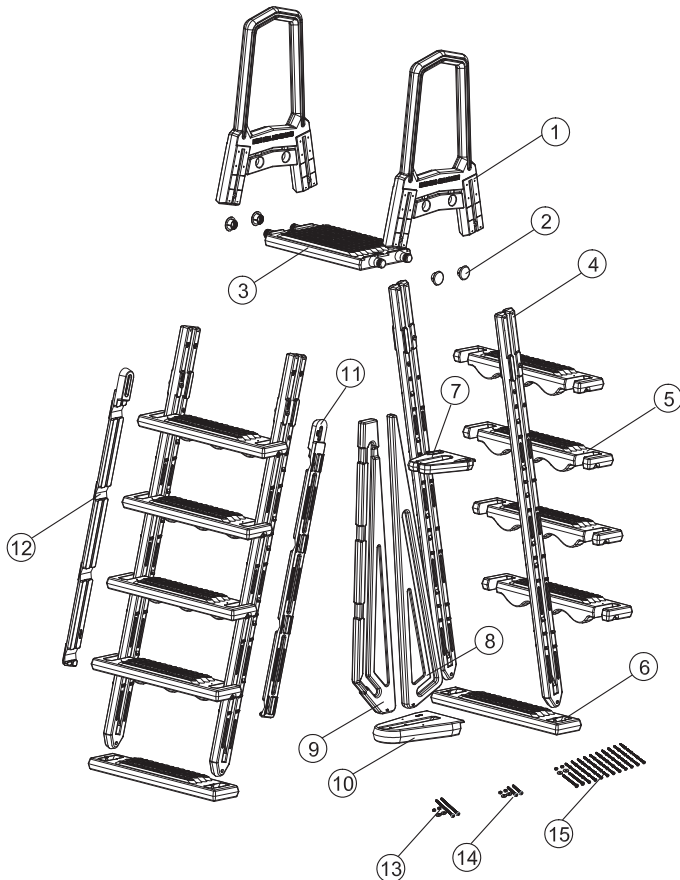
1. In cold weather and/or wintertime, remove the ladder and store it in a clean, dry place.
2. When removing the ladder, it is recommended to wash the ladder with soapy water to remove and debris.

ASSEMBLY

Parts List

No.	Description	Specification
1	Application	48 -54 height above ground pool
2	Weight limit	250 lbs
3	Material	Polythene
4	Products Size	42" x 25" x 77"
5	Gross Weight	
6	Package Size	24" x 8" x 60"

Product Diagram and Accessories



ASSEMBLY

No.	Part Number	Description	Qty
1	47155001	Handrail	2
2	48850112	Cover Cap	4
3	47155011	Deck Platform	1
4	47155005	Holder	4
5	47155002	Tread	8
6	47155008	Bottom Tread	2
7	47155003	Upper Brace	1
8	47155009	Front Barrier	1
9	47155010	Back Barrier	1
10	47155004	Lower Base	1
11	47155007	Left Fixing Strip	1
12	47155006	Right Fixing Strip	1
13	5862050001	Screw Kit (5" Bolt)	1
14	5862050000	Screw Kit (2.5" Bolt)	1
15	5862050002	Screw Kit (1-1/4" Bolt)	1

DISCLAIMER

PLEASE READ THE FOLLOWING CAREFULLY

THE MANUFACTURER AND/OR DISTRIBUTOR HAS PROVIDED THE PARTS LIST AND ASSEMBLY DIAGRAM IN THIS MANUAL AS A REFERENCE TOOL ONLY. NEITHER THE MANUFACTURER OR DISTRIBUTOR MAKES ANY REPRESENTATION OR WARRANTY OF ANY KIND TO THE BUYER THAT HE OR SHE IS QUALIFIED TO MAKE ANY REPAIRS TO THE PRODUCT, OR THAT HE OR SHE IS QUALIFIED TO REPLACE ANY PARTS OF THE PRODUCT. IN FACT, THE MANUFACTURER AND/OR DISTRIBUTOR EXPRESSLY STATES THAT ALL REPAIRS AND PARTS REPLACEMENTS SHOULD BE UNDERTAKEN BY CERTIFIED AND LICENSED TECHNICIANS, AND NOT BY THE BUYER. THE BUYER ASSUMES ALL RISK AND LIABILITY ARISING OUT OF HIS OR HER REPAIRS TO THE ORIGINAL PRODUCT OR REPLACEMENT PARTS THERETO, OR ARISING OUT OF HIS OR HER INSTALLATION OF REPLACEMENT PARTS THERETO.

Record Product's Serial Number Here: _____

Note: If product has no serial number, record month and year of purchase instead.

Note: Some parts are listed and shown for illustration purposes only and are not available individually as replacement parts.

The material in this manual is for informational purposes only. The product(s) it describes are subject to change without prior notice, due to the manufacturer's continuous development program. XtremePowerUS makes no representations or warranties with respect to this manual or with respect to the products described herein. XtremePowerUS shall not be liable for any damages, losses, costs or expenses, direct, indirect or incidental, consequential or special, arising out of, or related to the use of this material or the products described herein.

Questions, issues or missing parts?

Before returning to your retailer, our customer service team is here to help.



Call Us: 909.628.0880

Email Us: customer@xtremepowerusa.com

Hours of Operation: 9am - 3pm PST Monday - Friday

MADE IN CHINA