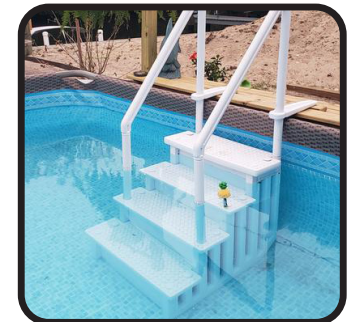
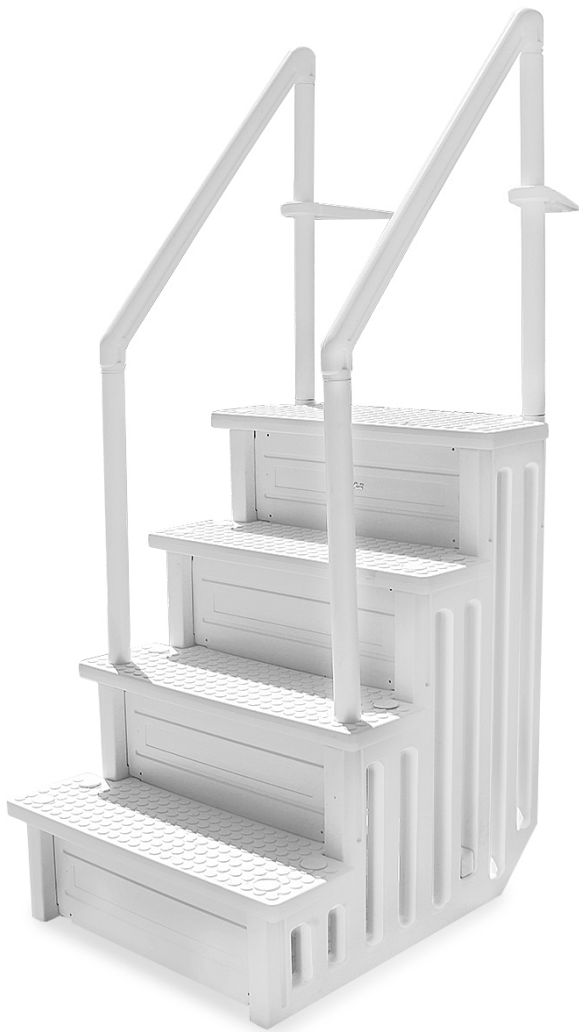




## A-FRAME ABOVE GROUND POOL LADDER

ITEM # 75137



## OWNER'S MANUAL AND SAFETY INSTRUCTIONS

SAVE THIS MANUAL. KEEP THIS MANUAL FOR SAFETY WARNINGS, PRECAUTIONS, ASSEMBLY, OPERATION, INSPECTION, MAINTENANCE AND CLEANING PROCEDURES. WRITE THE PRODUCT'S SERIAL NUMBER ON THE BACK OF THE MANUAL, OR THE MONTH AND YEAR OF PURCHASE IF PRODUCT HAS NO SERIAL NUMBER

FOR QUESTIONS, PLEASE CALL CUSTOMER SERVICE: 909.628.0880

# SAFETY WARNINGS

## **WARNING**

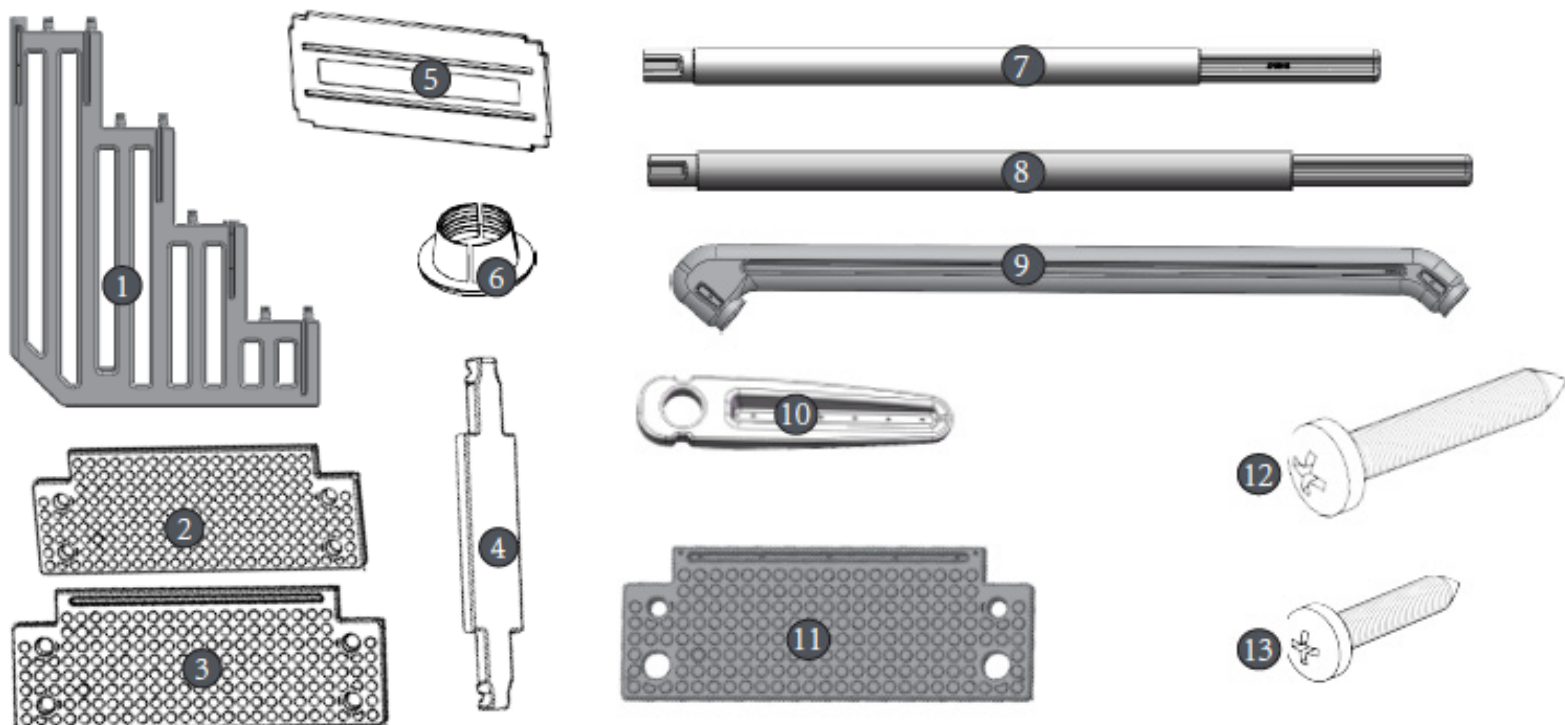
Read all safety warnings and instructions. Failure to follow the warnings and instructions may result in injury and/or property damage. Save all warnings and instructions for future reference.

The warning and safety instructions in this manual are not meant to cover all possible conditions and situations that may occur. Common sense, caution and care must be exercised when operating or cleaning tools and equipment. Always contact your dealer, distributor, service agent or manufacturer about problems or conditions you do not understand before operating the product.

- Locate the ladder on a solid, flat surface only.
- One person should be permitted on the ladder at a time
- The ladder must be installed and used per manufacturers instructions only. Do not modify the ladder.
- **DANGER:** Do not jump or dive from the ladder.
- **DO NOT** let children play on or near the ladder.
- In order to avoid injury during the installation and handling of heavy objects, it is recommended to have two people carry the ladder at a time.
- To prevent entrapment or drowning, DO NOT swim through or behind the ladder.
- **DO NOT** install the ladder at a suction point.
- Exceeding the maximum weight restriction of 250lbs may cause the ladder to fall.
- When the ladder is not in use, be sure to lock up the outer treads.
- The distance is adjustable from 48 to 54 inches.

**SAVE THESE WARNINGS.**

# PARTS INFORMATION

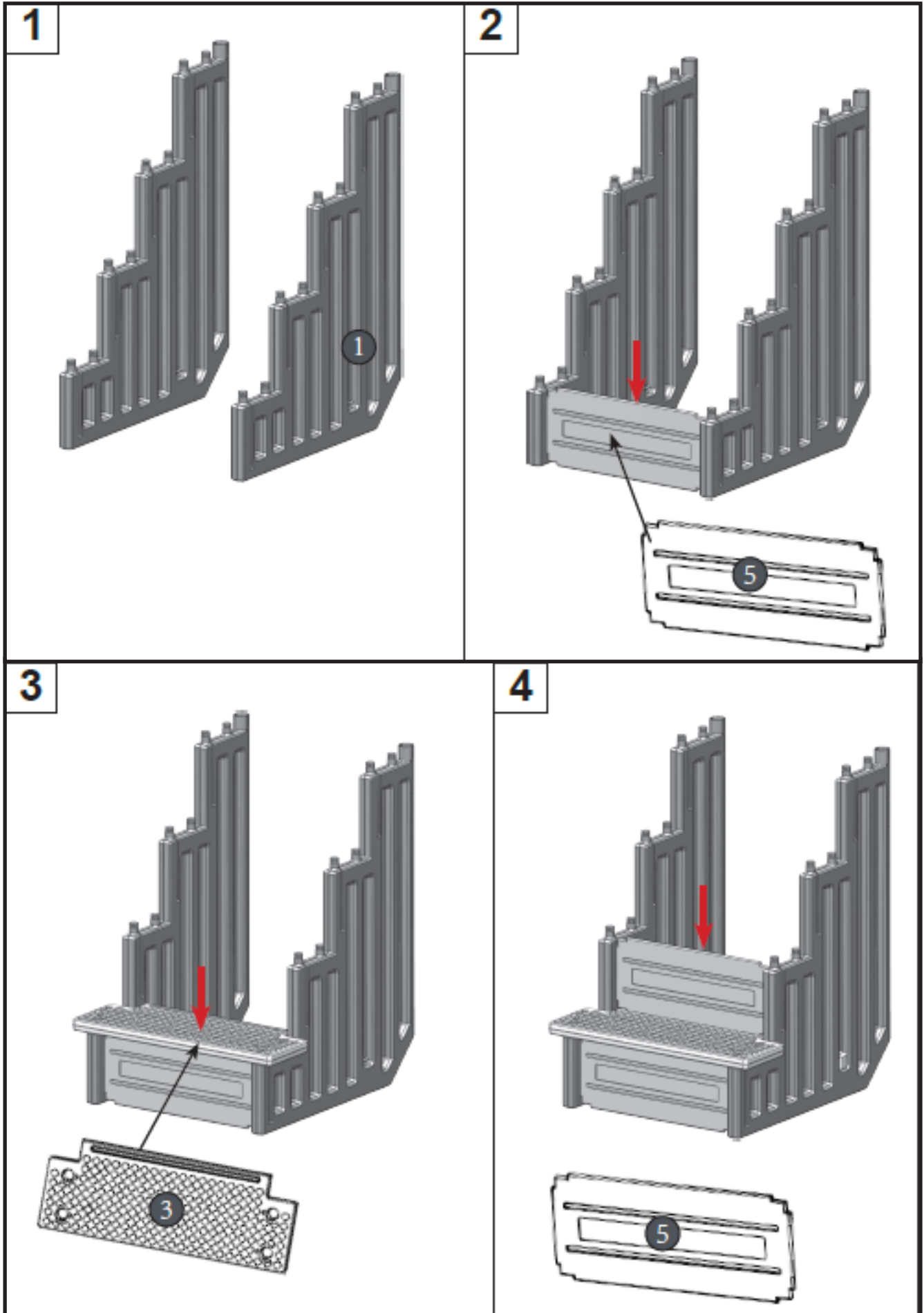


	Description	Qty		Description	Qty
1	Side Panels	2	8	Long Post	2
2	Steps	1	9	Handrail	2
3	Steps	2	10	Deck Connector	2
4	Locating Rack	1	11	Steps	1
5	Risers	4	12	Screw ST5.5x30	4
6	Lock Caps	16	13	Screw ST5.5x20	16
7	Post	2			

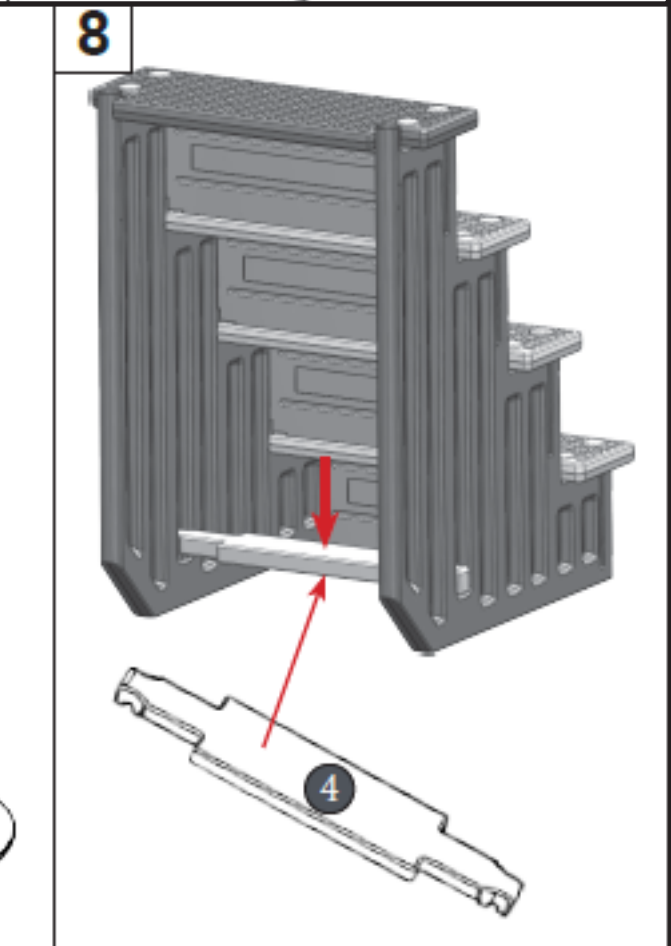
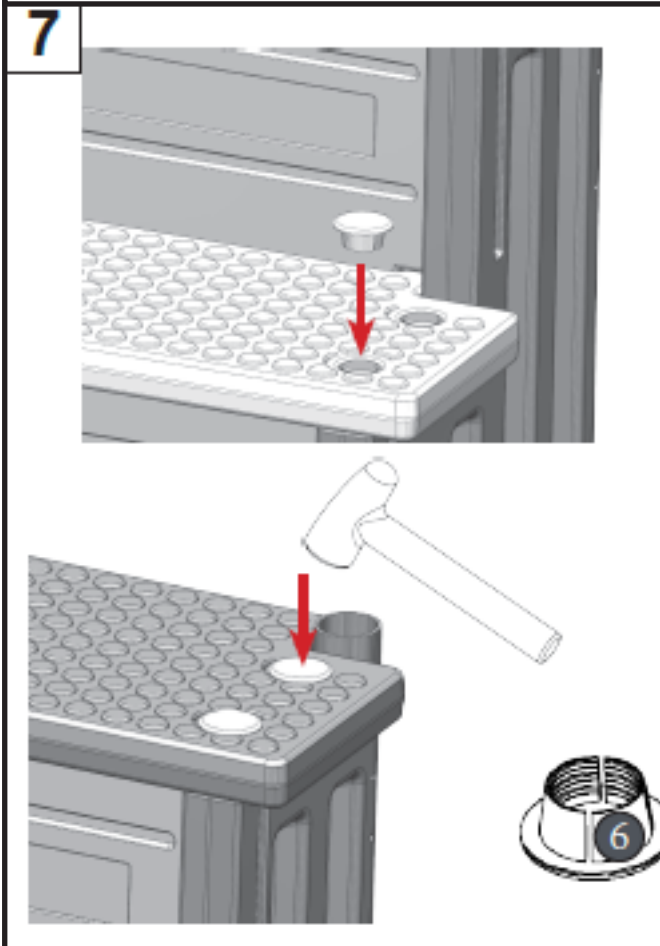
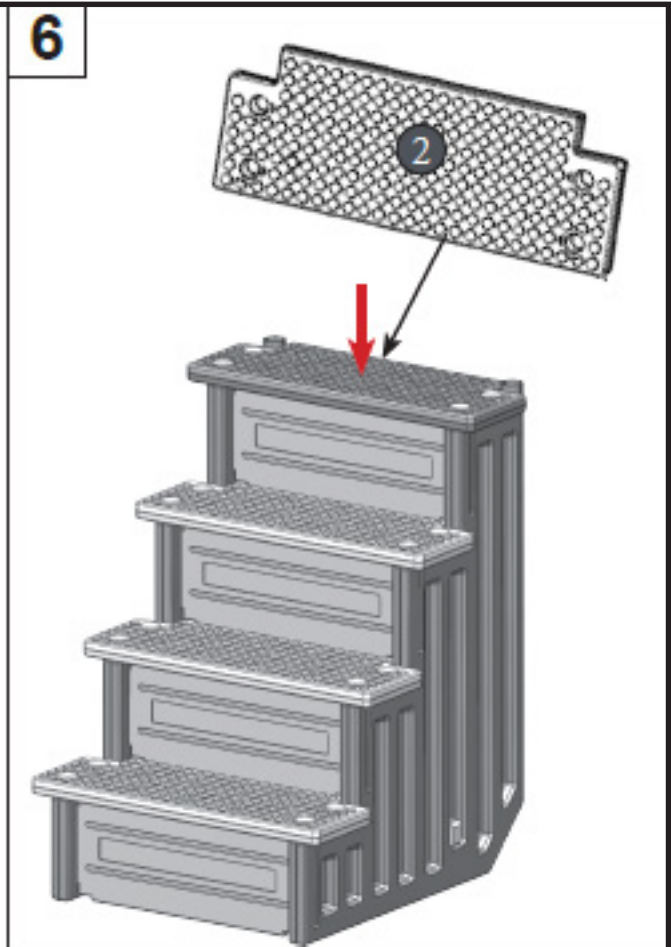
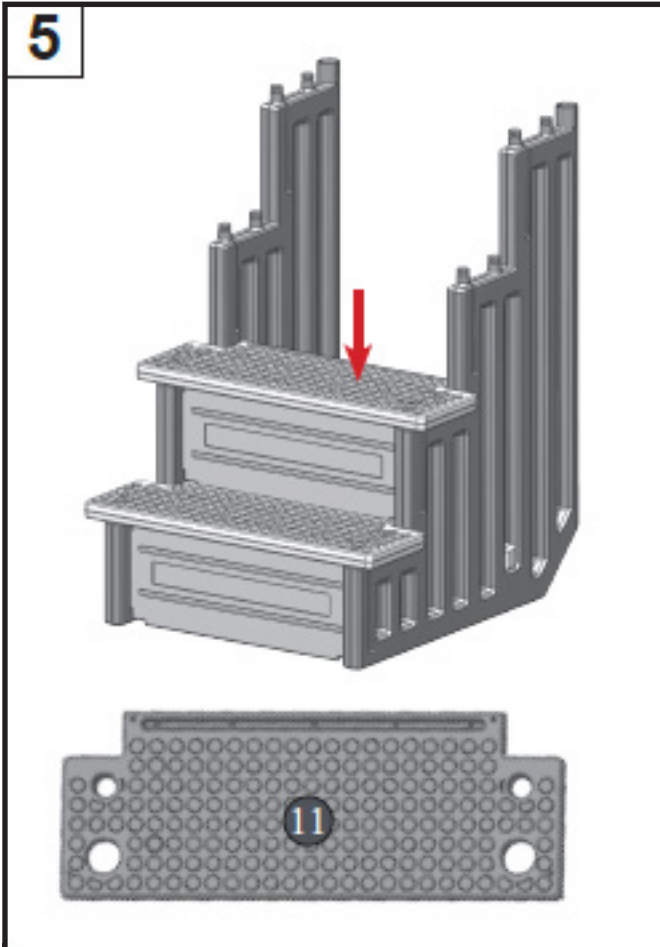
## Required for Installation:

Drill	Drill bit 1/8"	Star bit	Mallet	Sandbags

# ASSEMBLY



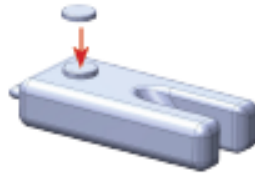
# ASSEMBLY



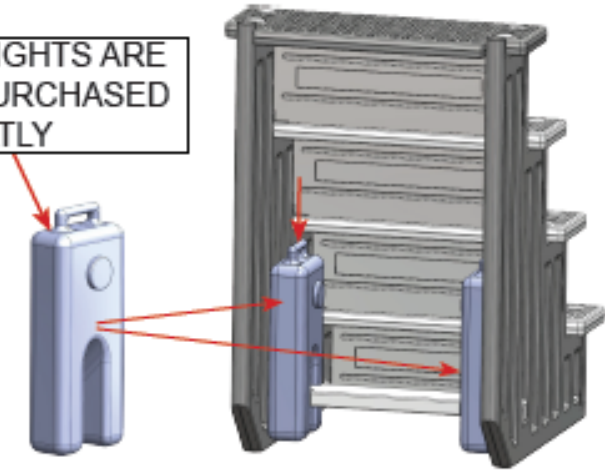
# ASSEMBLY

9

SOLUTION 1

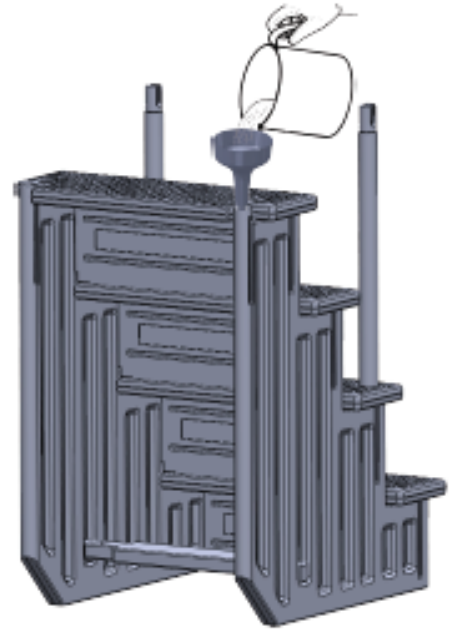


THE WEIGHTS ARE  
NEED PURCHASED  
SEPERATLY



10

SOLUTION 2

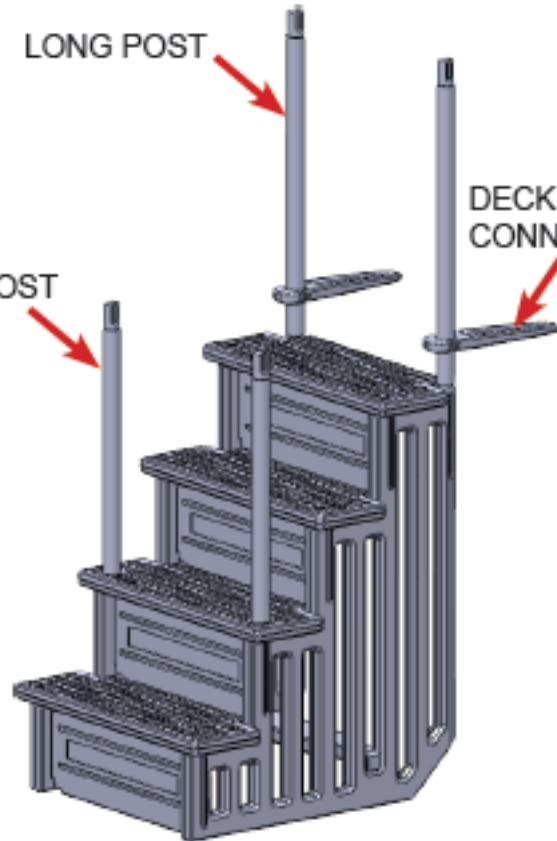


11

LONG POST

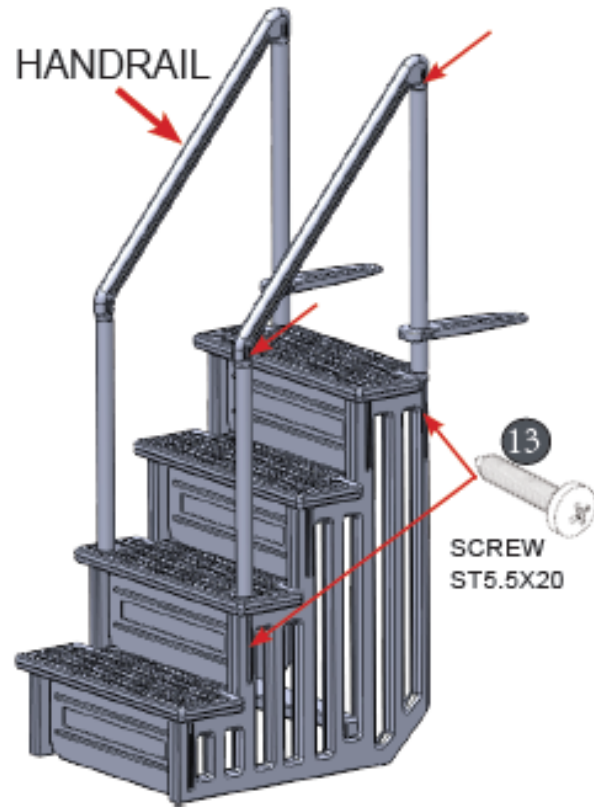
POST

DECK  
CONNECTOR

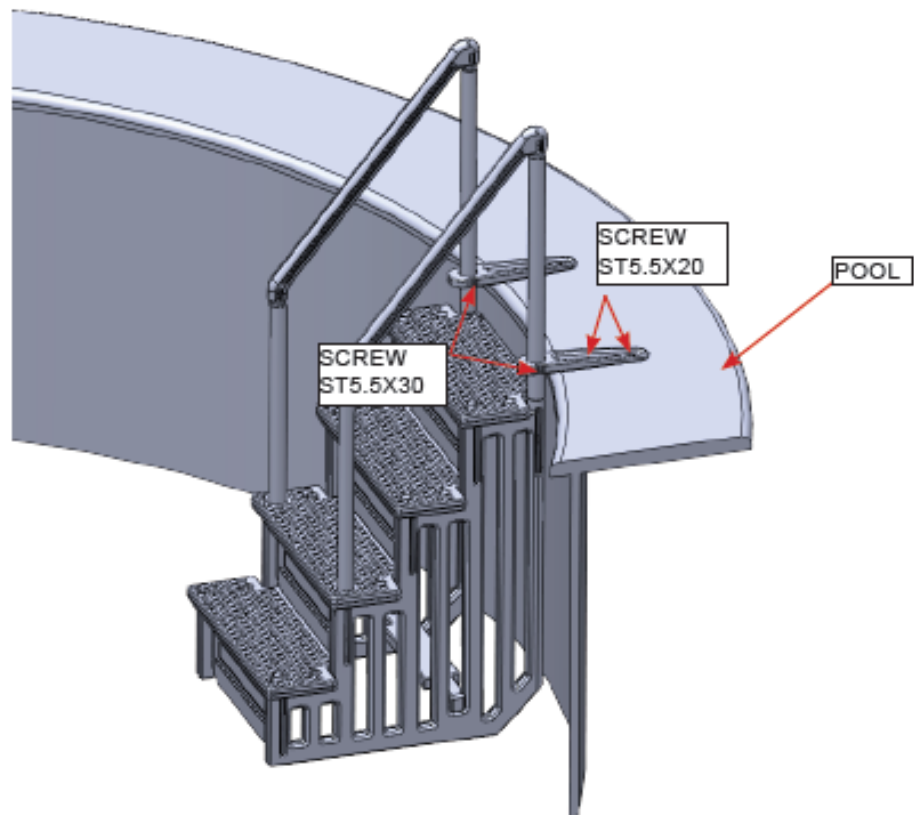


# ASSEMBLY

12



13



# DISCLAIMER

## PLEASE READ THE FOLLOWING CAREFULLY

THE MANUFACTURER AND/OR DISTRIBUTOR HAS PROVIDED THE PARTS LIST AND ASSEMBLY DIAGRAM IN THIS MANUAL AS A REFERENCE TOOL ONLY. NEITHER THE MANUFACTURER OR DISTRIBUTOR MAKES ANY REPRESENTATION OR WARRANTY OF ANY KIND TO THE BUYER THAT HE OR SHE IS QUALIFIED TO MAKE ANY REPAIRS TO THE PRODUCT, OR THAT HE OR SHE IS QUALIFIED TO REPLACE ANY PARTS OF THE PRODUCT. IN FACT, THE MANUFACTURER AND/OR DISTRIBUTOR EXPRESSLY STATES THAT ALL REPAIRS AND PARTS REPLACEMENTS SHOULD BE UNDERTAKEN BY CERTIFIED AND LICENSED TECHNICIANS, AND NOT BY THE BUYER. THE BUYER ASSUMES ALL RISK AND LIABILITY ARISING OUT OF HIS OR HER REPAIRS TO THE ORIGINAL PRODUCT OR REPLACEMENT PARTS THERETO, OR ARISING OUT OF HIS OR HER INSTALLATION OF REPLACEMENT PARTS THERETO.

**Record Product's Serial Number Here:** \_\_\_\_\_

**Note: If product has no serial number, record month and year of purchase instead.**

**Note: Some parts are listed and shown for illustration purposes only and are not available individually as replacement parts.**

The material in this manual is for informational purposes only. The product(s) it describes are subject to change without prior notice, due to the manufacturer's continuous development program. XtremePowerUS makes no representations or warranties with respect to this manual or with respect to the products described herein. XtremePowerUS shall not be liable for any damages, losses, costs or expenses, direct, indirect or incidental, consequential or special, arising out of, or related to the use of this material or the products described herein.

## Questions, issues or missing parts?

Before returning to your retailer, our customer service team is here to help.



Call Us: 909.628.0880

Email Us: [customer@xtremepowerusa.com](mailto:customer@xtremepowerusa.com)

Hours of Operation: 9am - 3pm PST Monday - Friday

**MADE IN CHINA**