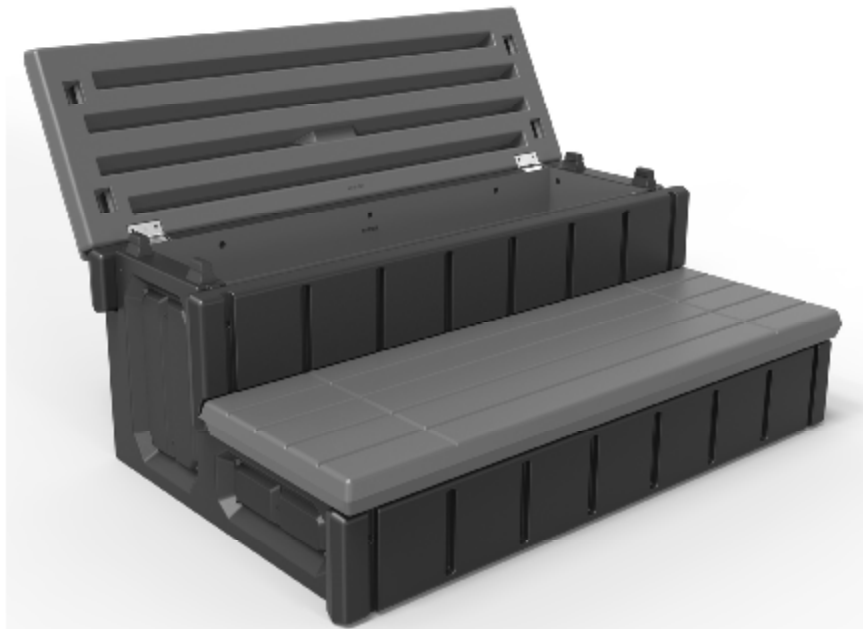




POOL / SPA STEP WITH STORAGE

ITEM # 75166

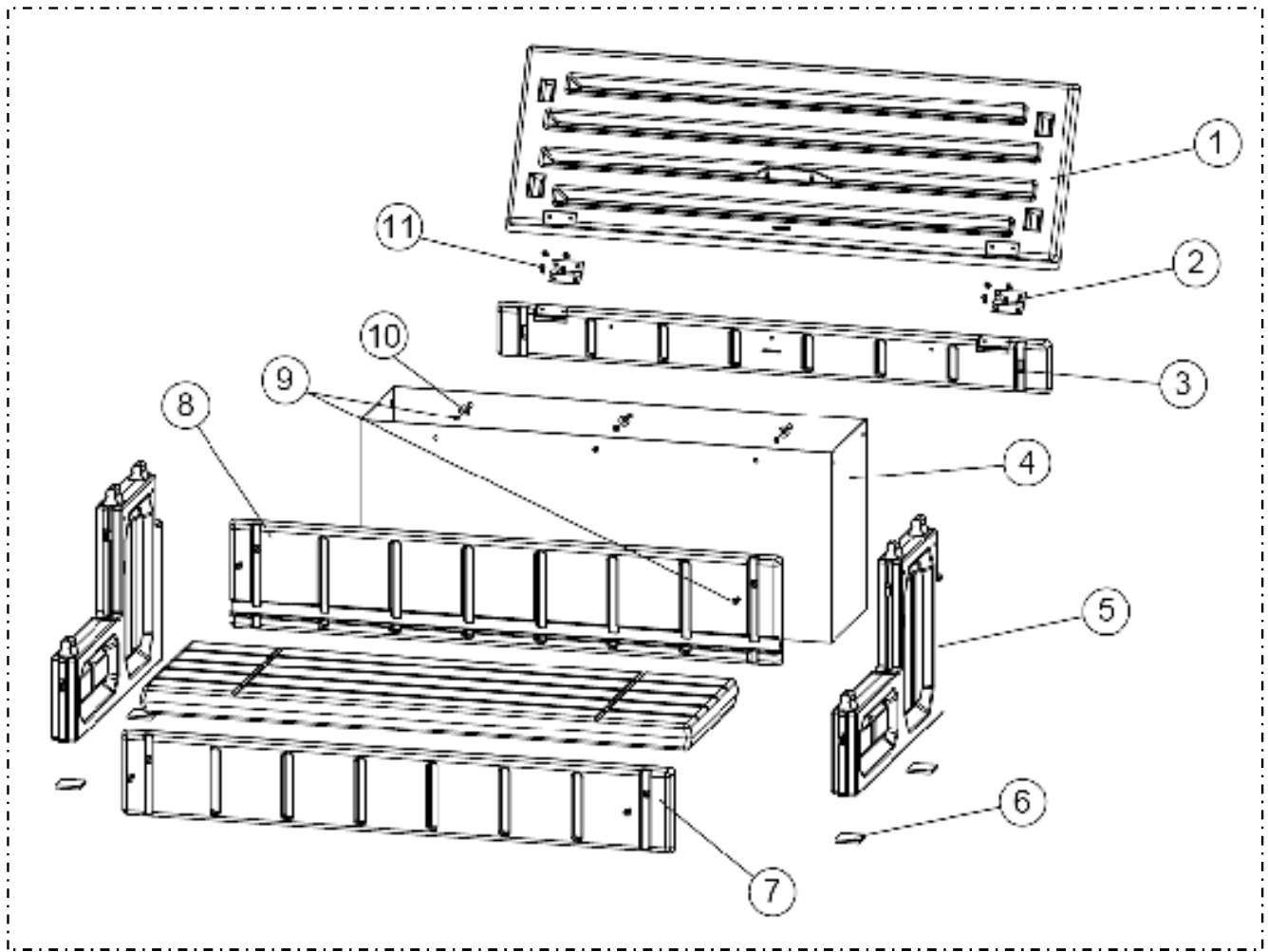


OWNER'S MANUAL AND SAFETY INSTRUCTIONS

SAVE THIS MANUAL. KEEP THIS MANUAL FOR SAFETY WARNINGS, PRECAUTIONS, ASSEMBLY, OPERATION, INSPECTION, MAINTENANCE AND CLEANING PROCEDURES. WRITE THE PRODUCT'S SERIAL NUMBER ON THE BACK OF THE MANUAL, OR THE MONTH AND YEAR OF PURCHASE IF PRODUCT HAS NO SERIAL NUMBER

FOR QUESTIONS, PLEASE CALL CUSTOMER SERVICE: 909.628.0880

PARTS INFORMATION



PART NO.	ITEM NO.	DESCRIPTION	QTY
1	47151001	Treads	2
2	5760101000	Hinges	2
3	47151006	Small support	1
4	5760100000	Storage liner	1
5	47151003	Side Walls	2
6	5760102080	Foam Strip	1
7	47151005	Medium Support	1
8	47151004	Big Support	1
9	5212012000	Screws(ST4.8*20)	16
10	5244006000	Gasket	10
11	5212005000	Screws(ST3.9*11.6)	8

SAFETY WARNINGS

Tools Needed

Rubber Mallet; Cordless Drill; Drill Bit

2. Warning and Caution

a) Check building codes/premitting

Please consult your local Building Department before installation of your step and equipment in order to reduce the risk of drowning, electrocution, falls, or other serious injury or death.

Equipment installation must comply with the codes of authority having jurisdiction and may require permits(e.g.,building, plumbing, electrical, zoning, etc.). Be sure that barriers (fences, gates, etc.) restricting spa access meet local codes.

b) Use for intended purpose only

Not intended for storing hazardous products(such as chemicals), which is not a secure location.

c) Check that you have all required parts

Check the contents of the carton with the parts list for the step. All parts and hardware are required. DO NOT attempt to assemble or install the step if any parts missing.

d) Select an appropriate location

The Step must be located on a level solid base and in a location that will be in full view of competent adult supervision when in use.

e) Follow all instructions

- All instructions must be followed completely as the manual shown for stable correct assembly and installation.

- Use the hand tools and equipment appropriately according to the manufacturer's recommendations. CORDLESS DRILL ONLY. DO NOT use a corded drill in or around the pools in order to lower the risks of electrocution.

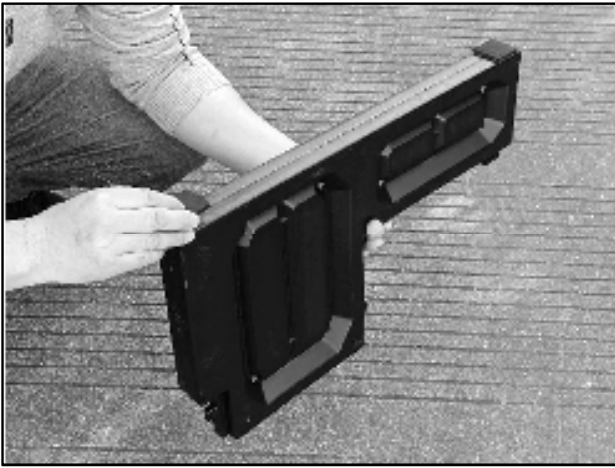
f) Lift safely

Have another person to help when lifting awkward or heavy loads.

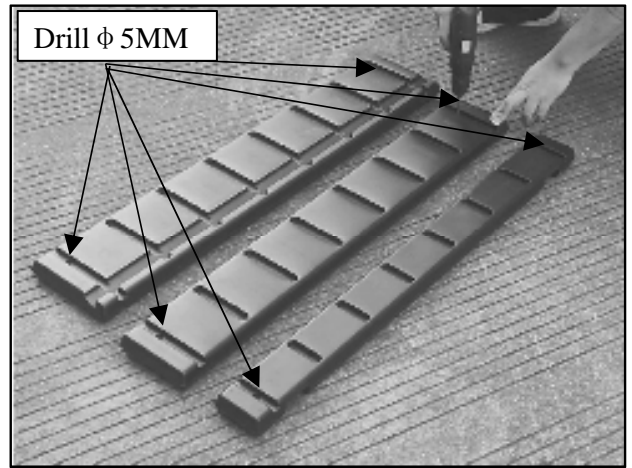
g) Double check after installation

After well assembled and installationed, please double check the instructions and procedures to make sure nothing has been overlooked before starting to use the step.

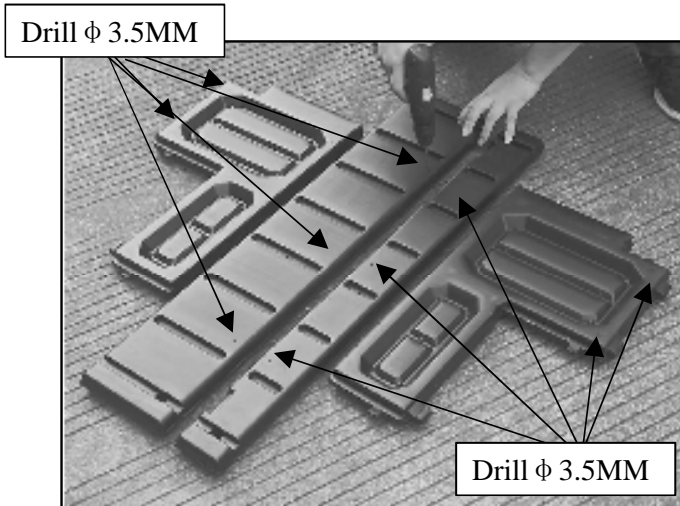
ASSEMBLY



STEP 1: Install 2 self-adhesive pads on each of the sidewalls.



STEP 2: Pre-drill $\phi 5\text{mm}$ pilot holes at the end of the three supports. See image above.



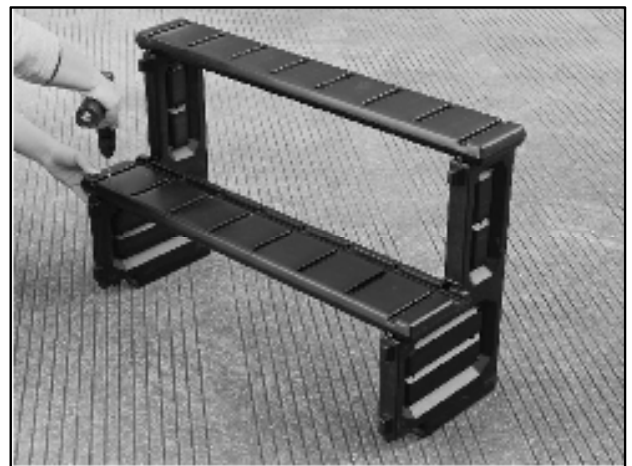
STEP 3: Mark the position on both big and small supports and the two sidewalls and pre-drill $\phi 3.5\text{mm}$ pilot holes.



STEP 4: Place the medium support over the two locking tabs on the sidewalls. Tap down with the mallet until seated on the locking tabs. Secure the support at both ends using 2 x ST4.8*20 screws.

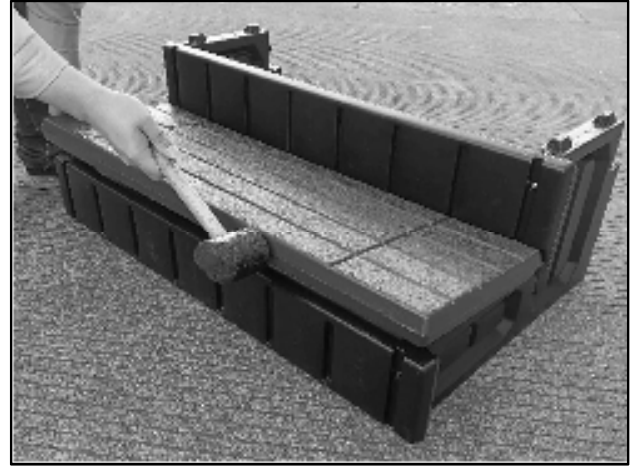


STEP 5: Place the large support over the two locking tabs with the groove facing up. Tap down with a rubber mallet until seated on the locking tabs.



STEP 6: Use 2 x ST4.8*20 screws to seal both ends of the support.

ASSEMBLY



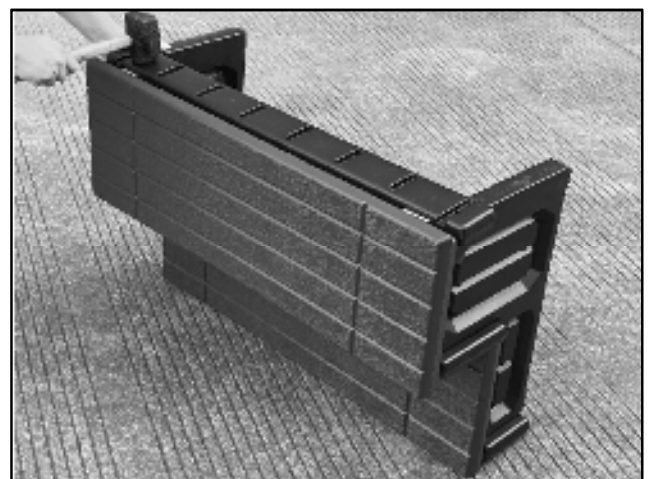
STEP 7: Place the tapered edge into the groove of the big support to install the bottom tread. Apply pressure to force the tapered edge into the groove. Tap the front of the tread with the rubber mallet while holding the tread in place. Tap down gently on the top of the tread until sealed on the locking tabs.



STEP 8: Place the hinge (barrel side up) over the mortised area of the small support. Attach 2 x ST3.9*11.6 screws to fix up the hinge. No need to drill the pilot holes. Please repeat to attach the second hinge.

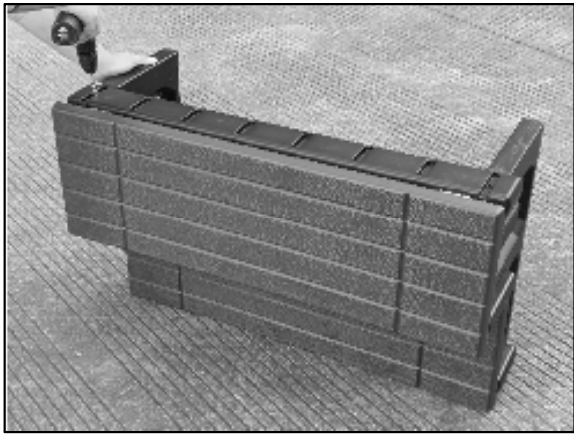


STEP 9: Place the tread on a flat surface with the bottom facing up. Place the hinges over the mortised area on the treads and fix with 2 x ST3.9*11.6 screws in each hinge.



STEP 10: Place the small support on the convex platform at the back of the sidewall, then tap down with a rubber mallet until seated onto the locking tabs.

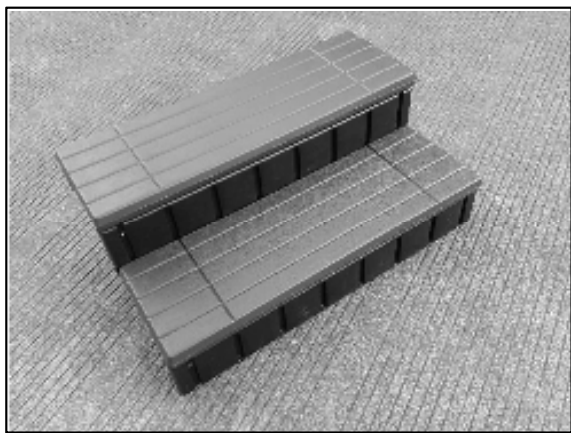
ASSEMBLY



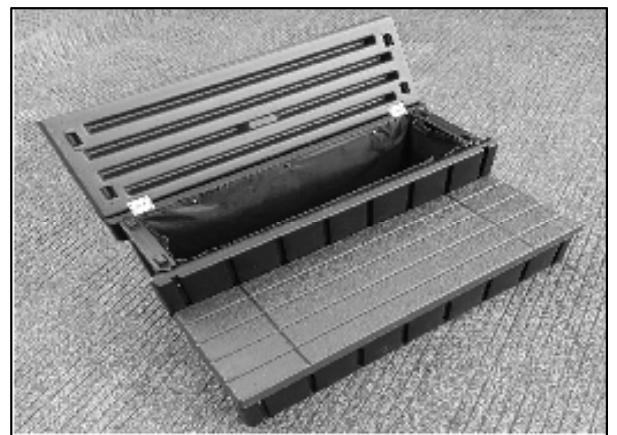
STEP 11: Secure both ends of the sidewall with 2 x ST4.8*20 screws.



STEP 12: Open the above tread and place the storage liner into the tread and fix with screws and gaskets.



Off state



Open state

Warning: To reduce the risk of drowning, falls, paralysis, electrocution, or other serious injury or death, use the step system properly.

- Use for intended purpose only, no intend for chemical storage.
- No diving or jumping from steps, risk of paralysis or death.
- Only one person allowed on the step system at a time.
- Illuminate the steps when using the step system at night.
- Weight limited-300lbs., exceeding maximum weight may cause the step broken.
- Secure the spa when not in use. Please refer to local codes.(E.g. with a locked cover or secure gate)
- Take care of the children at all times when they are in or around water to help prevent drowning.
- Be sure and safe. The manufacture is not responsible for improper assembly, installation and use.

DISCLAIMER

PLEASE READ THE FOLLOWING CAREFULLY

THE MANUFACTURER AND/OR DISTRIBUTOR HAS PROVIDED THE PARTS LIST AND ASSEMBLY DIAGRAM IN THIS MANUAL AS A REFERENCE TOOL ONLY. NEITHER THE MANUFACTURER OR DISTRIBUTOR MAKES ANY REPRESENTATION OR WARRANTY OF ANY KIND TO THE BUYER THAT HE OR SHE IS QUALIFIED TO MAKE ANY REPAIRS TO THE PRODUCT, OR THAT HE OR SHE IS QUALIFIED TO REPLACE ANY PARTS OF THE PRODUCT. IN FACT, THE MANUFACTURER AND/OR DISTRIBUTOR EXPRESSLY STATES THAT ALL REPAIRS AND PARTS REPLACEMENTS SHOULD BE UNDERTAKEN BY CERTIFIED AND LICENSED TECHNICIANS, AND NOT BY THE BUYER. THE BUYER ASSUMES ALL RISK AND LIABILITY ARISING OUT OF HIS OR HER REPAIRS TO THE ORIGINAL PRODUCT OR REPLACEMENT PARTS THERETO, OR ARISING OUT OF HIS OR HER INSTALLATION OF REPLACEMENT PARTS THERETO.

Record Product's Serial Number Here: _____

Note: If product has no serial number, record month and year of purchase instead.

Note: Some parts are listed and shown for illustration purposes only and are not available individually as replacement parts.

The material in this manual is for informational purposes only. The product(s) it describes are subject to change without prior notice, due to the manufacturer's continuous development program. XtremePowerUS makes no representations or warranties with respect to this manual or with respect to the products described herein. XtremePowerUS shall not be liable for any damages, losses, costs or expenses, direct, indirect or incidental, consequential or special, arising out of, or related to the use of this material or the products described herein.

Questions, issues or missing parts?

Before returning to your retailer, our customer service team is here to help.



Call Us: 909.628.0880

Email Us: customer@xtremepowerusa.com

Hours of Operation: 9am - 3pm PST Monday - Friday

MADE IN CHINA