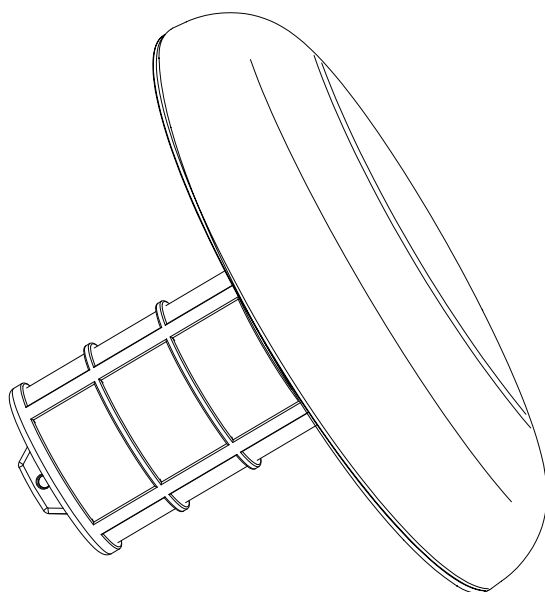




WATER PURIFIER

SKU: 90119

XL 10 INCH 7V UP TO 35,000 GALLONS



ASSEMBLY AND USER'S GUIDE

IMPORTANT:

Review the instruction manual thoroughly before operating the machine.
Keep it for future reference.



TABLE OF CONTENTS

TABLE OF CONTENTS	1
IMPORTANT SAFETY INSTRUCTIONS	2
SETUP.....	2
ADDITIONAL NOTES.....	2
OVERVIEW (PRODUCT INFORMATION)	4
IONIZER INFORMATION.....	4
COPPER TEST STRIPS INFORMATION.....	5
SOLAR IONIZERS VS. CHLORINE.....	6
PACKAGING CONTENTS.....	7
PRODUCT DIMENSIONS.....	7
ASSEMBLY & OPERATION	7
ASSEMBLY INSTRUCTION.....	7
OPERATION INSTRUCTION.....	7
REPLACEMENT PARTS	9
PARTS DIAGRAM.....	9
DISCLAIMER	10
<i>Disclaimer</i>	10
<i>Customer Service and Technical Support</i>	10

IMPORTANT SAFETY INSTRUCTIONS

IMPORTANT SAFETY INSTRUCTIONS

SETUP

Initial Inspection:

- Carefully inspect the solar panel for any damage or imperfections upon receipt.
- This guide provides instructions for installing and using the product. If you have any questions about the product, please contact XtremepowerUS.

Assembly Precaution:

- Securely hand-tighten the nut attaching the copper component to the solar panel to ensure a stable connection.

ADDITIONAL NOTES

Packaging Preservation:

- Keep the original packaging and inserts for safe storage during periods when the ionizer is not in use.

USE OF NON-XTREMEPOWERUS REPLACEMENT PARTS VOIDS WARRANTY

ATTENTION: This manual contains important information regarding the assembly, operation, and safe use of this product. It is essential to provide this manual to the end user of the product. Failure to read and follow all instructions could lead to severe injuries.

OVERVIEW (PRODUCT INFORMATION)

OVERVIEW (PRODUCT INFORMATION)

IONIZER INFORMATION

Solar Ionizer Overview:

- Function: Disintegrates matter at the atomic level, used for water purification.
- Historical Practice: Ionization used for thousands of years, especially with copper and silver containers.
- Technology: Utilizes a small electrical charge to energize electrodes, enhancing the ionization process.

Working Mechanism:

- Electrodes: Composed of copper/silver or silver/copper/zinc.
- Efficiency: Superior efficacy with chlorine at 0.2 to 0.4 PPM versus chlorine alone.
- Durability of Ions: Ions remain in the water for extended periods, don't evaporate under extreme conditions.

Safety and Compliance:

- Mineral Safety: Safe and essential for human consumption.
- Fish Pools: Safe for use, effectively maintains pool hygiene in fish-inhabited waters.

Longevity and Maintenance:

- Lifespan: Engineered for durability to match the swimming pool's lifetime.
- Electrodes: Consumable, replaceable as needed over time.

Usage Guidelines:

- Continuous Operation: Unneeded and not recommended to minimize electrode wear.
- Initial Activation: Daily deployment is necessary to reach the necessary ion levels.
- Routine Maintenance: Several days each week are adequate after the initial period.
- Adverse Conditions: Use more frequently in larger pools or during harsh weather.
- Safety During Use: It is completely safe to swim while the ionizer operates in the water.

Pool Cover and Solar Ionizer Functionality:

- The solar ionizer requires direct sunlight to function correctly.
- If your pool is covered, ensure the unit can access sunlight by tethering it to a spot where the cover is lifted or cutting a small hole in the cover for the unit.

OVERVIEW (PRODUCT INFORMATION)

IONIZER INFORMATION (CONTINUED)

Addressing Green Pool Water:

- Heavy rain or overcast days can imbalance water due to lack of sunlight for ionization.
- To correct the issue, administer a pool shock treatment, operate the filter for an extended period, and let the water regain its balance.
- Avoid excessive chemicals as they may worsen the situation.

Correct Number of Units for Pool Size:

- It is important to have the appropriate number of ionizer units based on the pool's volume.
- A single unit is suitable for pools up to 22,000 gallons; pools exceeding this size will need more units for effective performance.

Managing High pH Levels:

- The recommended pH range for the Chlorine-Free Sun Shock is now 7.2-7.8.
- The device operates efficiently even at higher pH levels; avoid unnecessary pH adjustments if within this range.
- Focus on maintaining adequate ion levels and minimize chlorine use to keep water clear.
- Allow the water to naturally find its balance without forcing conditions.

OVERVIEW (PRODUCT INFORMATION)

COPPER TEST STRIPS INFORMATION

Overview of Copper Test Strips:

- Copper test strips are optional and not essential for monitoring.
- High copper levels are not considered hazardous.

Accuracy of Copper Test Strips:

- Test strip readings may be inaccurate due to the presence of other minerals or chemicals in the water.
- Natural minerals in the local water supply can affect readings—this is a normal occurrence.

Interpreting Copper Test Strip Readings:

- Difficulty in obtaining accurate readings from copper test strips is common.
- If readings are low or zero, it might be due to interference from other substances in the water.
- Reducing chlorine levels is advised if the pool remains clear despite these readings.

Action Steps for Clear Pool Water with No Copper Reading:

- The sensitivity of copper test strips may lead to incorrect readings for various reasons, including remnants of previous chemicals or local water treatment substances.
- Zero copper readings with clear pool water suggest the Solar Pool Ionizer is successfully maintaining pool cleanliness.
- Clear water is a sign that the ionizer is functioning properly, and there's no need for concern over the absence of copper readings.

OVERVIEW (PRODUCT INFORMATION)

SOLAR IONIZERS VS. CHLORINE

Safety and Environmental Impact:

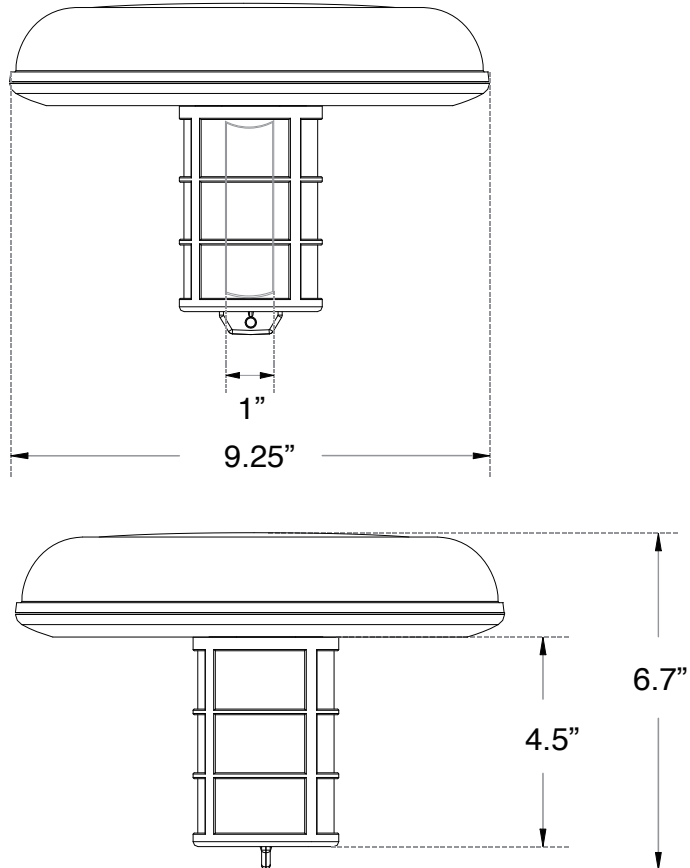
Topic	Concern	Chlorine	Solar Ionizer
Eye Irritation	Causes eye irritation?	Yes	No
Skin Irritation	Leads to skin irritation?	Yes	No
Swimwear Damage	Damages or fades swimwear?	Yes	No
Cancer Risk	Associated with cancer risk?	Yes	No
Trihalomethanes Production	Produces trihalomethanes?	Yes	No
Lung Harm	Harmful to lungs?	Yes	No
Skin Absorption	Absorbed through skin?	Yes	No
Benzene Formation	Creates benzene in PVC?	Yes	No
Strong Odor	Emits strong odor?	Yes	No
Environmental Harm	Environmentally harmful?	Yes	No
Handling Hazard	Storage/handling hazardous?	Yes	No
Evaporation	Evaporates easily?	Yes	No
Corrosion	Corrodes equipment/accessories?	Yes	No
Surface Damage	Damages stucco or paint?	Yes	No
Stabilizer Need	Requires cyanuric acid?	Yes	No

OVERVIEW (PRODUCT INFORMATION)

PACKAGING CONTENTS

Item	Description	Quantity
1	Cleaning Brush	1
2	Copper Test Kit	1
3	Copper Assembly	1
4	Solar Panel	1

PRODUCT DIMENSIONS



Net Weight: 2.75 LBS

ASSEMBLY & OPERATION

ASSEMBLY INSTRUCTION

Electrode Assembly:

- Fit the silicone gasket and copper rods to the base of the solar panel. Secure the copper rods firmly.

Spring Placement:

- Place the compression spring over the copper rods.

Filter Cover Installation:

- Position the filter cover over the compression spring.

Filter Cover Securing:

- Tighten the filter pressure ring to fix the filter cover in place.

Flotation Verification:

- Make sure the flotation device is correctly attached.

Safety Inspection:

- Double-check that all components are firmly in place.

OPERATION INSTRUCTION

Check Pool Conditions:

- Ensure the pool is ready for the ionizer.

Deploy Ionizer:

- Place the solar ionizer into the pool.

Verify Position:

- Make sure the ionizer is floating properly.

Activate Pool Cleaning:

- After 12 hours, start the pool's cleaning system.
- After 24 hours, check that the ionizer is functioning as expected.

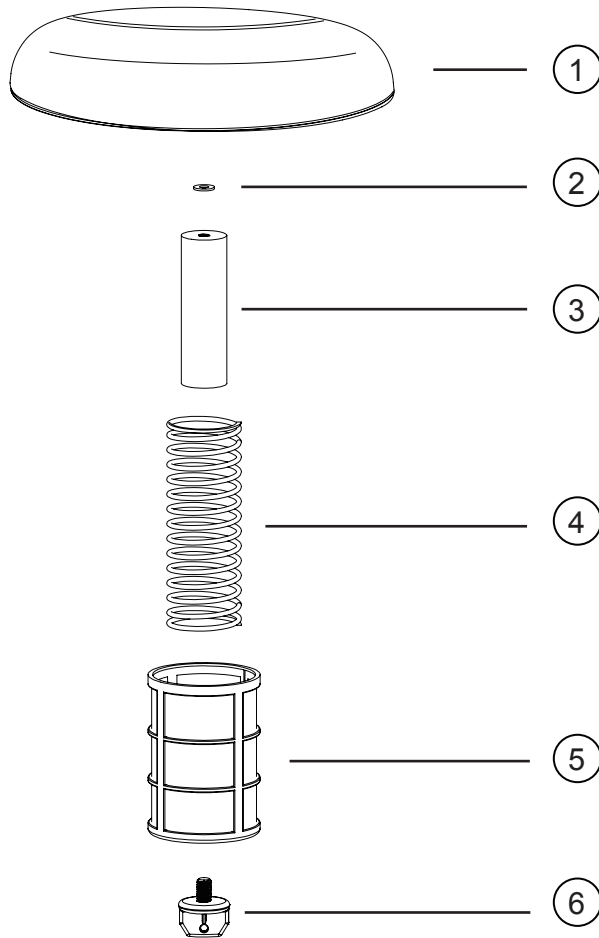
Maintenance:

- **Electrode Care:** Clean the electrode every 15 days with the supplied cleaning brush.
- **Copper Monitoring:** Weekly check of copper levels is recommended.
- **Ionizer Adjustment:**
 - If copper levels rise above 0.9 PPM, remove the ionizer to maintain water clarity.
 - Reinsert the ionizer when copper levels fall below 0.4 PPM.

REPLACEMENT PARTS

REPLACEMENT PARTS

PARTS DIAGRAM



Item	Part. No	Description	QTY
1		Copper Ion Components	1
2		Silicone Gasket	1
3		Copper Rod	1
4		Compression Spring	1
5		Filter Cover	1
6		Filter Pressure Ring	1

DISCLAIMER

DISCLAIMER

PLEASE READ THE FOLLOWING CAREFULLY

The manufacturer and/or distributor have provided the parts list and assembly diagram in this manual for reference purposes only. They do not make any representation or warranty to the buyer that they are qualified to make repairs to the product or replace any parts of the product. In fact, the manufacturer and/or distributor expressly state that all repairs and parts replacements should be undertaken by certified and licensed technicians, and not by the buyer.

The buyer assumes all risk and liability arising from their repairs to the original product or replacement parts or arising from their installation of replacement parts. It is strongly advised that qualified professionals handle any repairs or replacements to ensure safety and proper functioning of the product. Improper installation and operation may result in injury, property damage, or voiding of warranty. The manufacturer and/or distributor shall not be held responsible for any accidents, damages, or malfunctions resulting from the buyer's installation and operation of the product. It is essential to follow all safety guidelines and recommendations provided in this manual and to seek professional assistance if unsure about the installation or operation procedures.

CUSTOMER SERVICE

If you have any questions about ordering our outdoor furnitures and replacement parts or other furniture products, please feel free to contact us using the following contact information:

Customer Service and Technical Support

Phone: (909) 628-0880

Email: customer@xtremepowerusa.com

Hours of Operation: Monday – Friday, 9AM – 4PM (CST)
