



SALT WATER SYSTEM CHLORINATOR

ITEM: 90160 / 90161 / 90162



OWNER'S MANUAL AND SAFETY INSTRUCTIONS

SAVE THIS MANUAL: KEEP THIS MANUAL FOR SAFETY WARNINGS, PRECAUTIONS, ASSEMBLY, OPERATING, INSPECTION, MAINTENANCE AND CLEANING PROCEDURES. WRITE THE PRODUCT'S SERIAL NUMBER ON THE BACK OF THE MANUAL NEAR THE ASSEMBLY DIAGRAM (OR MONTH AND YEAR OF PURCHASE IF PRODUCT HAS NO NUMBER)

FOR QUESTIONS PLEASE CALL OUR CUSTOMER SUPPORT: 909.628.0880 MON-FRI 9AM TO 3PM PST



SAFETY

The warnings, precautions, and instructions discussed in this instruction manual cannot cover all possible conditions and situations that may occur. It must be understood by the operator that common sense and caution are factors which cannot be built into this product, but must be supplied by the operator. Read carefully and understand all **ASSEMBLY AND OPERATION INSTRUCTIONS** before operating. Failure to follow the safety rules and other basic safety precautions may result in serious personal injury.

- Please note, the total working hours for the T-Cell should be less than 8 hours total per day. If you are using a variable speed pump for 24 hours a day be sure to adjust the chlorine output to 25-30%. If the pump is only running 10 hours per day adjust the chlorine output between 60-80%.
- **You can use this calculation to calculate the appropriate chlorine output for your pool, suggest at 6 hours per day:**
 - Pump running 24** (Hours a day)*25% (Chlorine Output)= 6hr (cell run time per day at 25%).
 - Pump running 20** (Hours a day)*30% (Chlorine Output)= 6hr (cell run time per day at 30%).
 - Pump running 15** (Hours a day)*40% (Chlorine Output)= 6hr (cell run time per day at 40%).
 - Pump running 12** (Hours a day)*50% (Chlorine Output)= 6hr (cell run time per day at 50%).
 - Pump running 8** (Hours a day)*75% (Chlorine Output)= 6hr (cell run time per day at 75%).

INSTALLATION

Congratulations on your purchase of a new T Series Replacement Cell! Our cells are designed to meet or exceed original specifications, for optimal performance and reliability. T-Cell-5 and T-Cell-11 require software r1.5 for AquaRite or 4.2 for AquaLogic or newer to be compatible. These revisions started in 2009, meant for use in Hayward Goldline AquaRite, Aqua Logic and Pro Logic salt systems. T-Cell-15 requires software r1.50 for AquaRite or 4.2 for AquaLogic or newer to be compatible. These revisions started in 2009, meant for use in Hayward Goldline AquaRite, AquaLogic, Pro Logic, SwimPure, Mineral Springs.

IMPORTANT: Always make sure the input power is completely disconnected and all pool equipment is shut off before attempting any service procedures. All service should be performed by a qualified professional.

- Remove the old Cell from the plumbing by loosening the threaded collars on both ends of the Cell. Disconnect the Cell Cord from the control panel.
- Inspect the O-Rings on the plumbing unions. If damaged or worn, replace before installing the new Cell.
- Position the new T series Replacement Cell between the plumbing unions. Tighten the two threaded collars by hand for a water-tight seal, do not over-tighten. Plug the Cell Cord into the control panel.
- Once power is restored to the control panel (concurrently with the pump and filter), the system can now be operated as instructed in the original manufacturer's product manual.

OPERATION

How to replace CFT

Step 1. Turn off the power to the pump and chlorine salt generator. Ideally this should be done at the circuit breaker. The controller display should go blank.



Step 2. Relieve the water pressure at the relief valve, it is usually on top of your pool filter.

Step 3. Unscrew the threads on both sides of the original T cell.



Step 4. Original AquaRite Turbo Cell out from the piping.

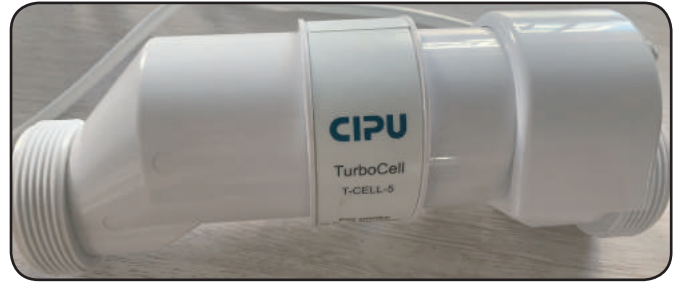
Step 5. Pull the plug out at the lower corner of the digital controller.



Step 6. Inspect the O-rings inside the union connected with the pipe for any wear and replace them if possible. Apply a thin layer of lubricant to the O-ring.

OPERATION

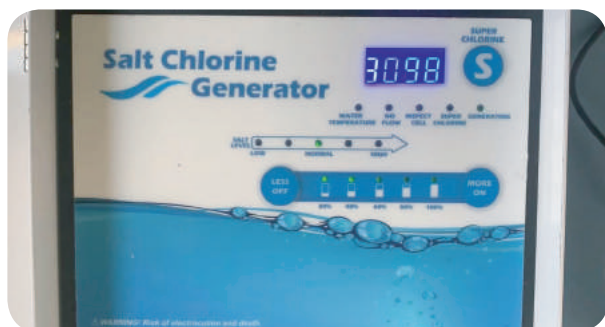
Step 7. Place the CFT cell into the piping and screw the unions back onto the ends of the new cell. Tighten the thread. The cell can be positioned either way. In fact, we suggest to reverse the cell every time you clean it to extend the life of the cell.



Step 8. Plug the power cord into the lower corner of the controller.

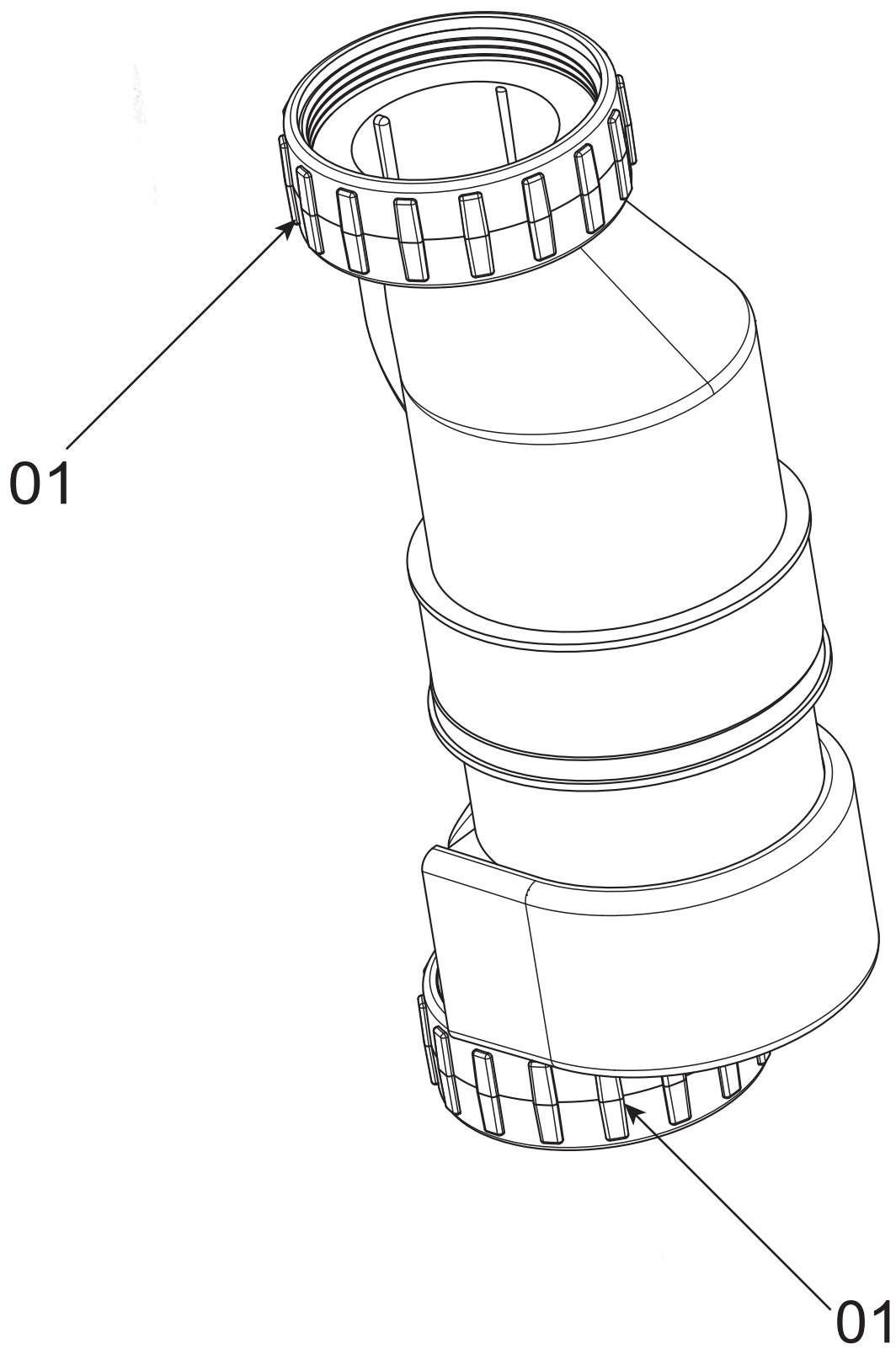
Step 9. Restart the pool pump and salt chlorine generator. The controller should light up and the pool pump should operate.

Step 10. Any air in the duct should be drained from the open safety valve. When the water begins to squirt from the safety valve, close the valve.



Step 11. After a couple of minutes, the controller display will show a salt value of between 2700 and 3400 and the "Power" and "Generating" LEDs should be light on.

PARTS LIST



1: THREAD

PLEASE READ THE FOLLOWING CAREFULLY

THE MANUFACTURER AND/OR DISTRIBUTOR HAS PROVIDED THE PARTS LIST AND ASSEMBLY DIAGRAM IN THIS MANUAL AS A REFERENCE TOOL ONLY. NEITHER THE MANUFACTURER OR DISTRIBUTOR MAKES ANY REPRESENTATION OR WARRANTY OF ANY KIND TO THE BUYER THAT HE OR SHE IS QUALIFIED TO MAKE ANY REPAIRS TO THE PRODUCT, OR THAT HE OR SHE IS QUALIFIED TO REPLACE ANY PARTS OF THE PRODUCT. IN FACT, THE MANUFACTURER AND/OR DISTRIBUTOR EXPRESSLY STATES THAT ALL REPAIRS AND PARTS REPLACEMENTS SHOULD BE UNDERTAKEN BY CERTIFIED AND LICENSED TECHNICIANS, AND NOT BY THE BUYER. THE BUYER ASSUMES ALL RISK AND LIABILITY ARISING OUT OF HIS OR HER REPAIRS TO THE ORIGINAL PRODUCT OR REPLACEMENT PARTS THERETO, OR ARISING OUT OF HIS OR HER INSTALLATION OF REPLACEMENT PARTS THERETO.

Record Product's Serial Number Here: _____

Note: If product has no serial number, record month and year of purchase instead.

Note: Some parts are listed and shown for illustration purposes only and are not available individually as replacement parts.



SAVE THESE INSTRUCTIONS.



Questions, problems, missing parts?

Before returning to your retailer, our exceptional customer service is here to help.

Call Us: 909.628.0880

Email Us: customer@xtremepowerusa.com

Hours of Operation: 9am - 4pm (Monday - Friday)

PRODUCT MADE IN CHINA