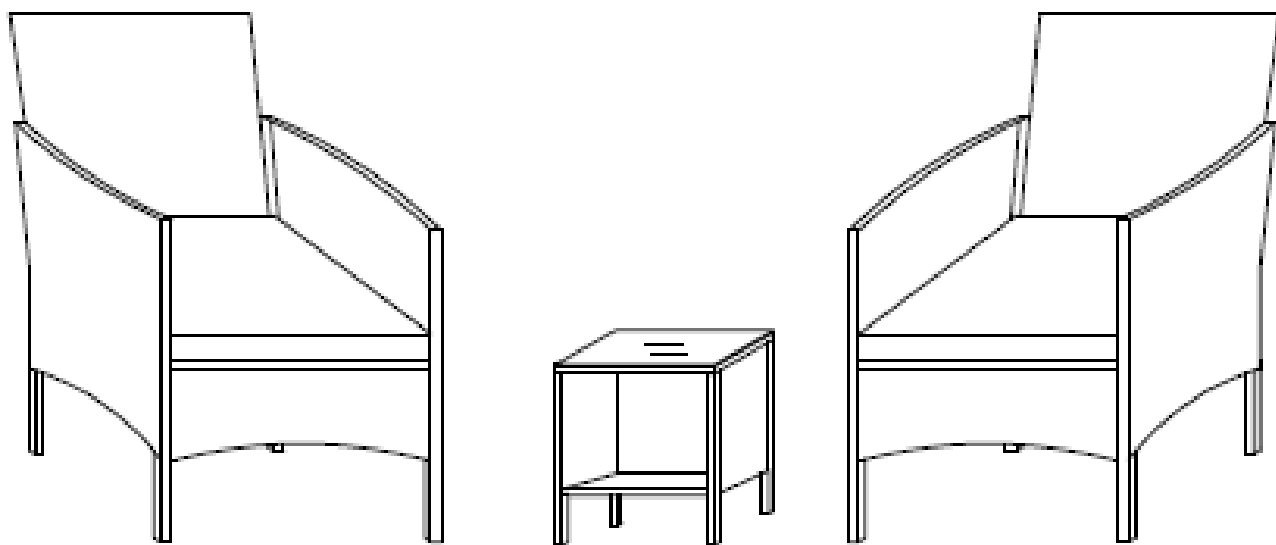


the LifeStyle
Barton
Home Office Patio

3PC RATTAN WICKER PATIO SET

ITEM # 93520

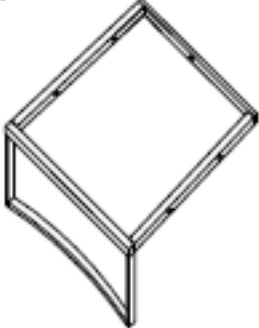
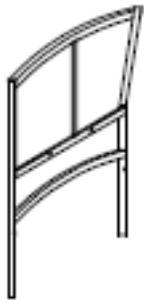
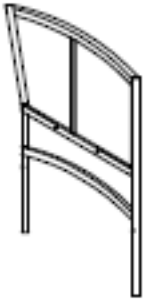
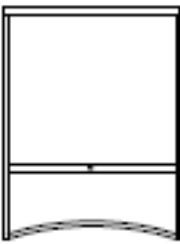
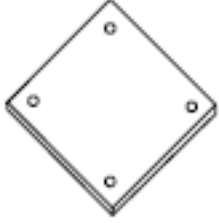
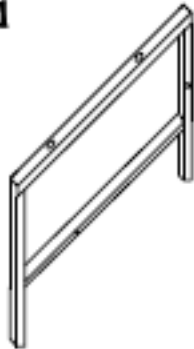
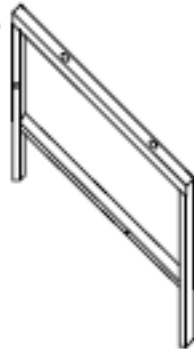

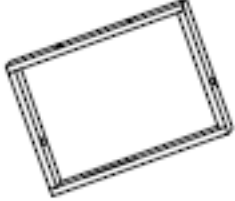
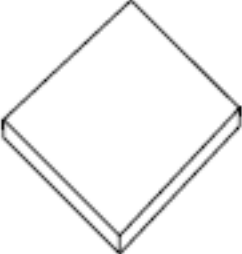



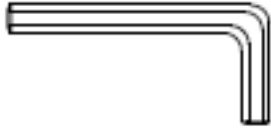


OWNER'S MANUAL AND SAFETY INSTRUCTIONS

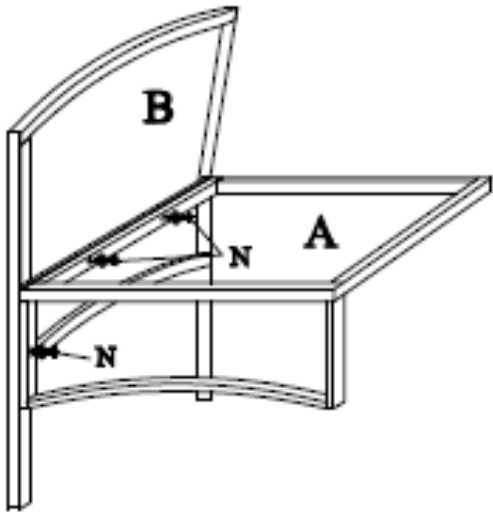
SAVE THIS MANUAL. KEEP THIS MANUAL FOR SAFETY WARNINGS, PRECAUTIONS, ASSEMBLY, OPERATION, INSPECTION, MAINTENANCE AND CLEANING PROCEDURES. WRITE THE PRODUCT'S SERIAL NUMBER ON THE BACK OF THE MANUAL, OR THE MONTH AND YEAR OF PURCHASE IF PRODUCT HAS NO SERIAL NUMBER

FOR QUESTIONS, PLEASE CALL CUSTOMER SERVICE: 909.628.4900

PARTS LIST AND HARDWARE

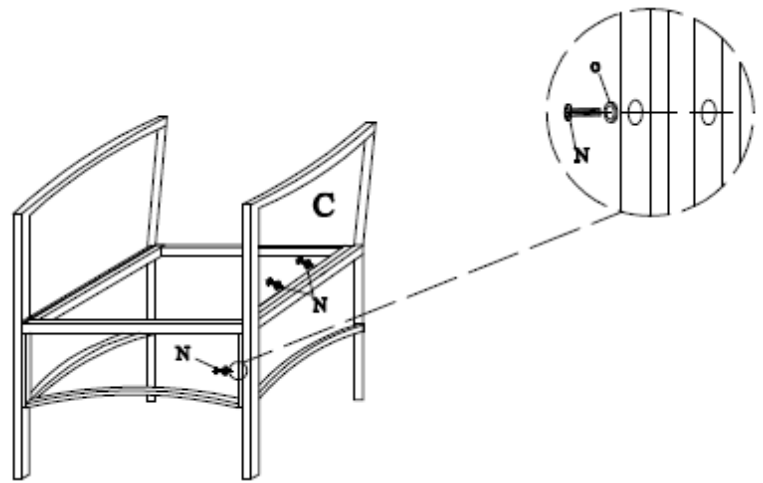
<p>Ax2</p>  <p>Seat Frame</p>	<p>Bx2</p>  <p>Left Frame</p>	<p>Cx2</p>  <p>Right Frame</p>	
<p>Dx2</p>  <p>Back Frame</p>	<p>Ex1</p>  <p>Table Frame</p>	<p>Fx1</p>  <p>Table Left Leg</p>	<p>Kx1</p>  <p>Table Right Leg</p>
<p>Gx1</p>  <p>Table Side Frame</p>	<p>Hx1</p>  <p>Table Under Frame</p>	<p>Jx2</p>  <p>Seat Cushion</p>	<p>Lx1</p>  <p>Table Glass</p>
<p>Nx33</p>  <p>Bolt M6x30</p>	<p>Ox33</p>  <p>Washer 16x8x1</p>	<p>Px1</p>  <p>Allen Key</p>	

ASSEMBLY



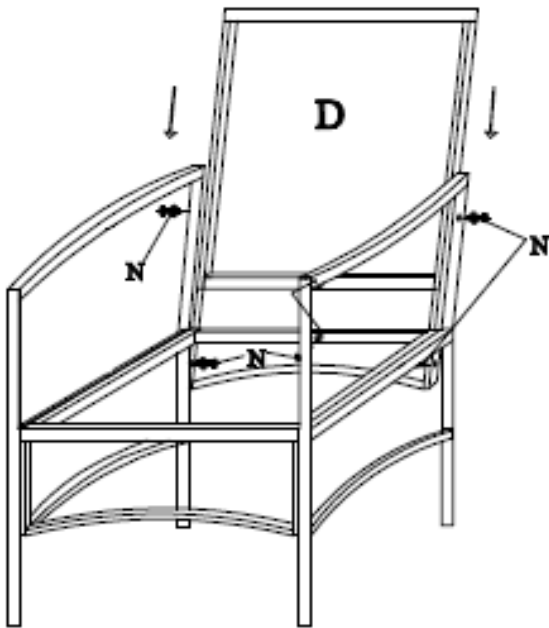
STEP 1:

Connect left frame **B** and seat frame **A** with bolt **N** and secure with the allen key.



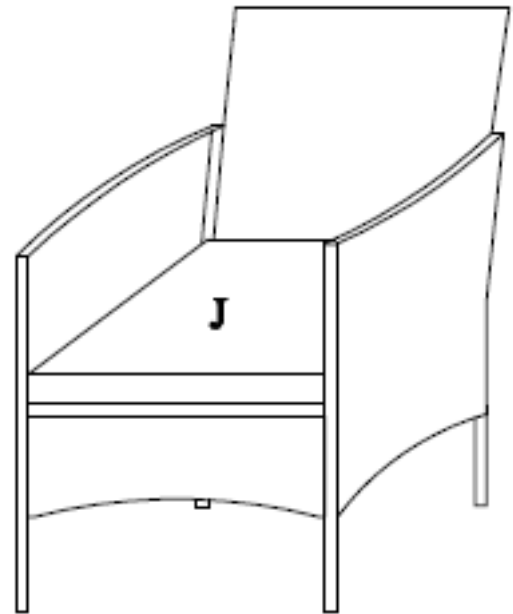
STEP 2:

Connect the parts from step 1 to the right frame **C** with bolt **N** and secure it with an allen wrench.



STEP 3:

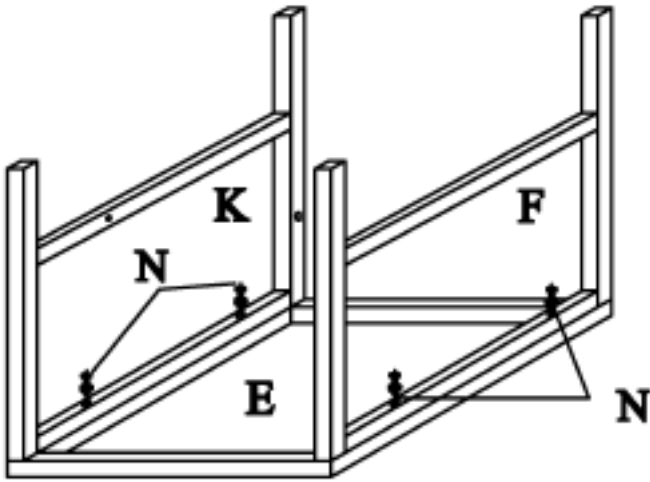
Connect the parts from step 2 and back frame **D** with bolt **N** with an allen key.



STEP 4:

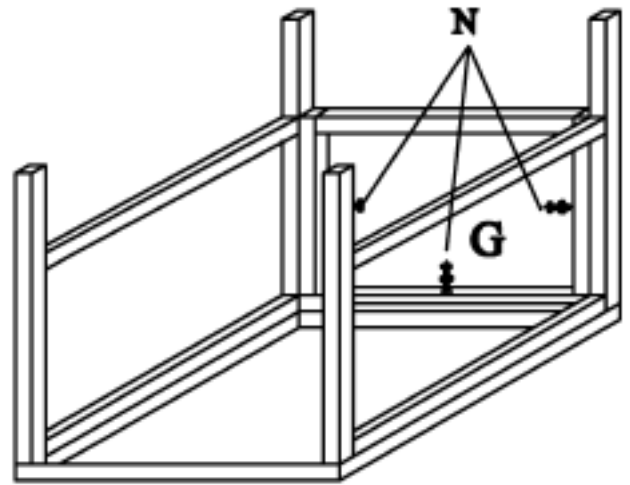
Put on the seat cushion **J** to finish assembly of the chair.

ASSEMBLY



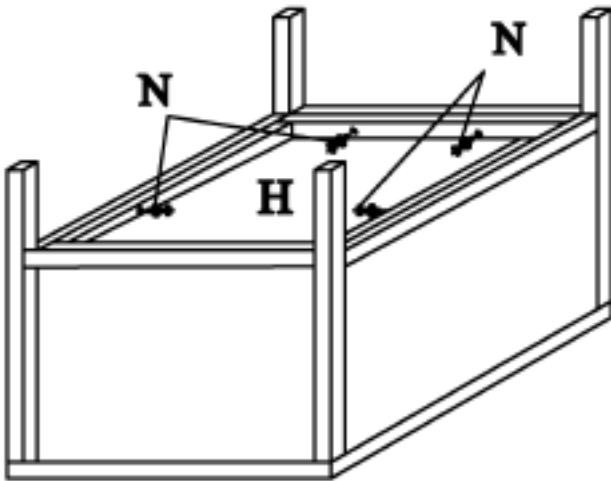
STEP 5:

Connect Table frame **F**, **K** & table Tabletop frame **E** with bolt **N** with allen key



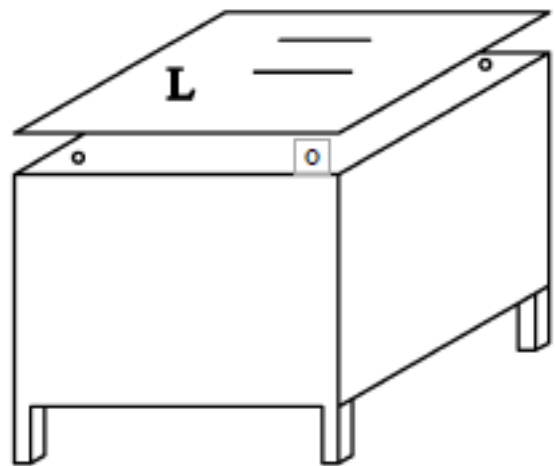
STEP 6:

Connect the part :from step **S** and table Side frame **O** with bolt **N** with alien key



STEP 7:

Connect the part from step 6 and table under frame **H** with bolt **N** with a1len key



STEP 8:

Put on Table Glass **L** to finish Table

OF NOTE

PLEASE READ THE FOLLOWING CAREFULLY

THE MANUFACTURER AND/OR DISTRIBUTOR HAS PROVIDED THE PARTS LIST AND ASSEMBLY DIAGRAM IN THIS MANUAL AS A REFERENCE TOOL ONLY. NEITHER THE MANUFACTURER OR DISTRIBUTOR MAKES ANY REPRESENTATION OR WARRANTY OF ANY KIND TO THE BUYER THAT HE OR SHE IS QUALIFIED TO MAKE ANY REPAIRS TO THE PRODUCT, OR THAT HE OR SHE IS QUALIFIED TO REPLACE ANY PARTS OF THE PRODUCT. IN FACT, THE MANUFACTURER AND/OR DISTRIBUTOR EXPRESSLY STATES THAT ALL REPAIRS AND PARTS REPLACEMENTS SHOULD BE UNDERTAKEN BY CERTIFIED AND LICENSED TECHNICIANS, AND NOT BY THE BUYER. THE BUYER ASSUMES ALL RISK AND LIABILITY ARISING OUT OF HIS OR HER REPAIRS TO THE ORIGINAL PRODUCT OR REPLACEMENT PARTS THERETO, OR ARISING OUT OF HIS OR HER INSTALLATION OF REPLACEMENT PARTS THERETO.

Record Product's Serial Number Here: _____

Note: If product has no serial number, record month and year of purchase instead.

Note: Some parts are listed and shown for illustration purposes only and are not available individually as replacement parts.

The material in this manual is for informational purposes only. The product(s) it describes are subject to change without prior notice, due to the manufacturer's continuous development program. Barton makes no representations or warranties with respect to this manual or with respect to the products described herein. Barton shall not be liable for any damages, losses, costs or expenses, direct, indirect or incidental, consequential or special, arising out of, or related to the use of this material or the products described herein.

Questions, issues or missing parts?

Before returning to your retailer, our customer service team is here to help.



Call Us: 909.628.0880

Email Us: customer@bartonliving.com

Hours of Operation: 9am - 3pm PST Monday - Friday

MADE IN VIETNAM