

the LifeStyle  
*Barton*  
Home Office Patio

**BAR TABLE BENNETT W/ 2 CHAIR RATTAN**

**ITEM # 93600**






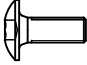

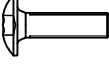

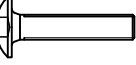

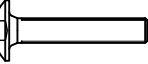
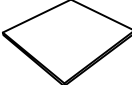



**OWNER'S MANUAL AND SAFETY INSTRUCTIONS**

**SAVE THIS MANUAL. KEEP THIS MANUAL FOR SAFETY WARNINGS, PRECAUTIONS, ASSEMBLY, OPERATION, INSPECTION, MAINTENANCE AND CLEANING PROCEDURES. WRITE THE PRODUCT'S SERIAL NUMBER ON THE BACK OF THE MANUAL, OR THE MONTH AND YEAR OF PURCHASE IF PRODUCT HAS NO SERIAL NUMBER**

**FOR QUESTIONS, PLEASE CALL CUSTOMER SERVICE: 909.628.0880**

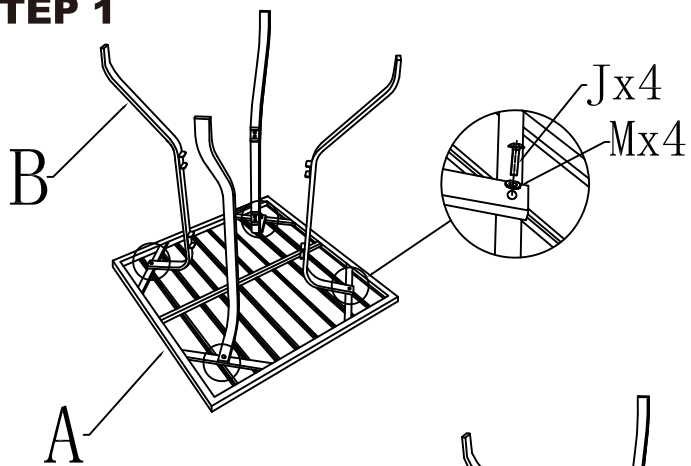
# PARTS LIST AND ASSEMBLY

## PARTS AND HARDWARE

A		1	H		2
B		4	I	 M6*15	8
C		2	J	 M6*25	20
D		2	K	 M6*35	12
E		2	L	 M6*40	4
F		2	M		44
G		2	N		1

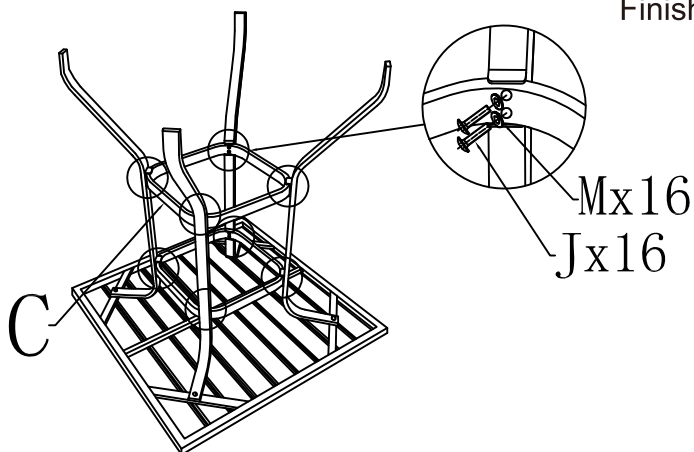
## ASSEMBLY

### STEP 1



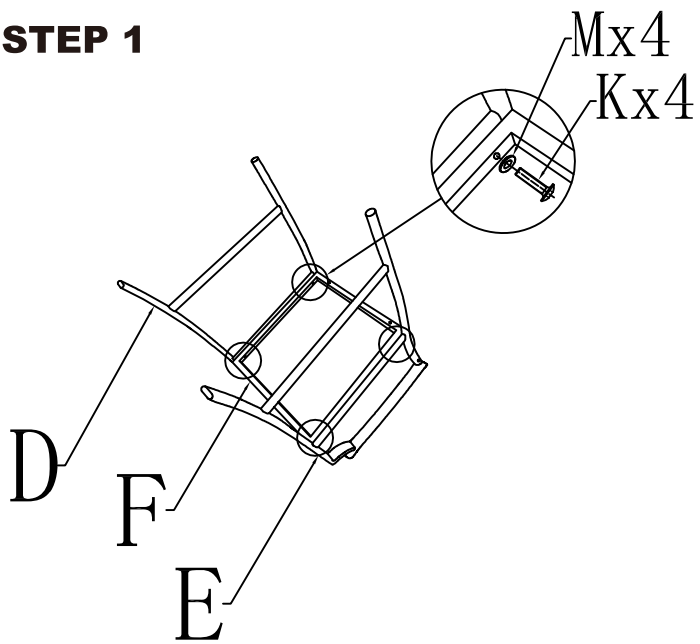
Finished table should look like this.

### STEP 2

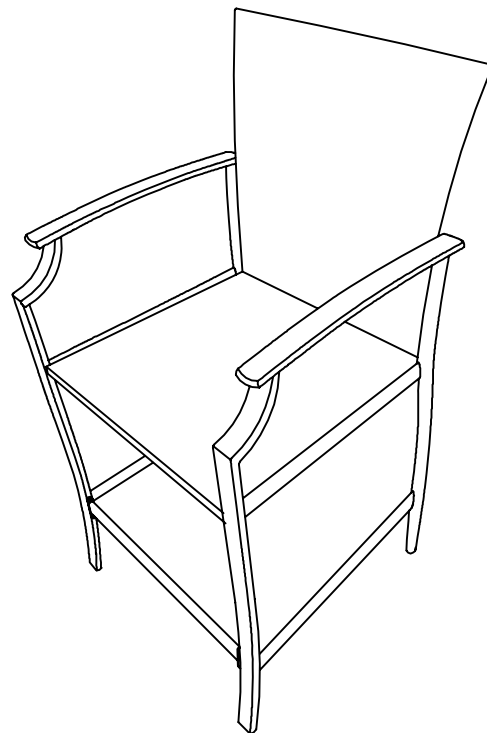
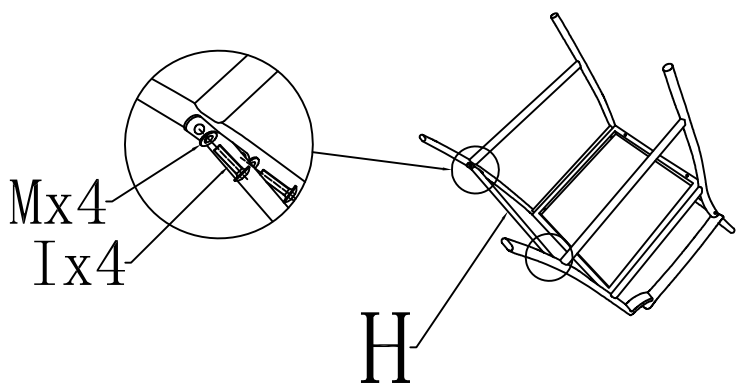
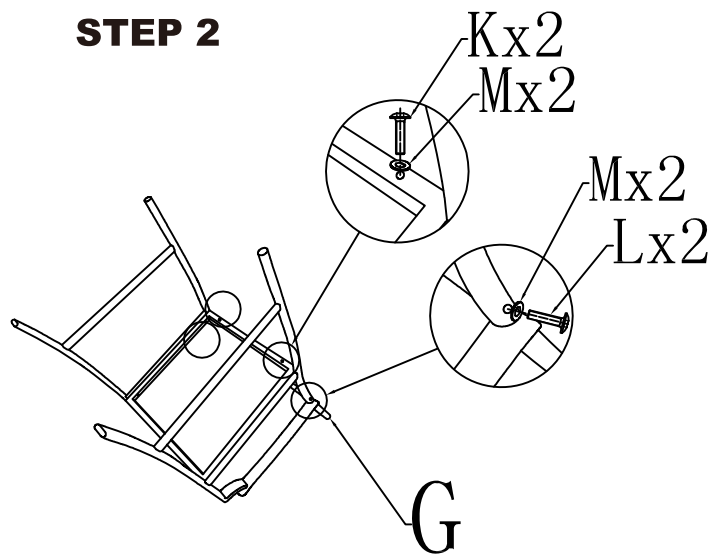


# CHAIR ASSEMBLY

## STEP 1



## STEP 2



Finished chair should look like this.

# DISCLAIMER

## PLEASE READ THE FOLLOWING CAREFULLY

THE MANUFACTURER AND/OR DISTRIBUTOR HAS PROVIDED THE PARTS LIST AND ASSEMBLY DIAGRAM IN THIS MANUAL AS A REFERENCE TOOL ONLY. NEITHER THE MANUFACTURER OR DISTRIBUTOR MAKES ANY REPRESENTATION OR WARRANTY OF ANY KIND TO THE BUYER THAT HE OR SHE IS QUALIFIED TO MAKE ANY REPAIRS TO THE PRODUCT, OR THAT HE OR SHE IS QUALIFIED TO REPLACE ANY PARTS OF THE PRODUCT. IN FACT, THE MANUFACTURER AND/OR DISTRIBUTOR EXPRESSLY STATES THAT ALL REPAIRS AND PARTS REPLACEMENTS SHOULD BE UNDERTAKEN BY CERTIFIED AND LICENSED TECHNICIANS, AND NOT BY THE BUYER. THE BUYER ASSUMES ALL RISK AND LIABILITY ARISING OUT OF HIS OR HER REPAIRS TO THE ORIGINAL PRODUCT OR REPLACEMENT PARTS THERETO, OR ARISING OUT OF HIS OR HER INSTALLATION OF REPLACEMENT PARTS THERETO.

**Record Product's Serial Number Here:** \_\_\_\_\_

**Note: If product has no serial number, record month and year of purchase instead.**

**Note: Some parts are listed and shown for illustration purposes only and are not available individually as replacement parts.**

## Questions, issues or missing parts?

Before returning to your retailer, our customer service team is here to help.



Call Us: 909.628.0880

Email Us: [customer@bartonliving.com](mailto:customer@bartonliving.com)

Hours of Operation: 9am - 3pm PST Monday - Friday

**MADE IN CHINA**