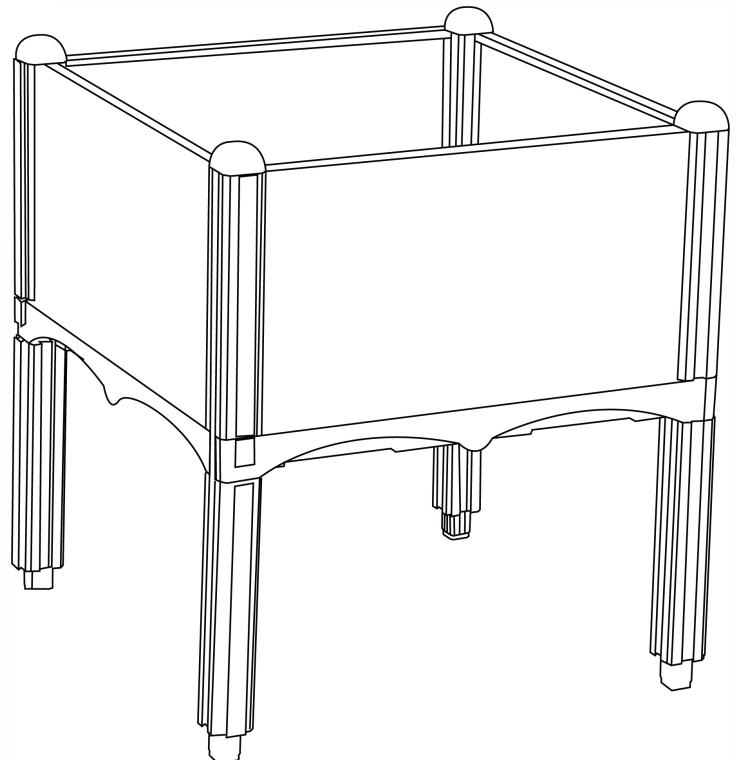
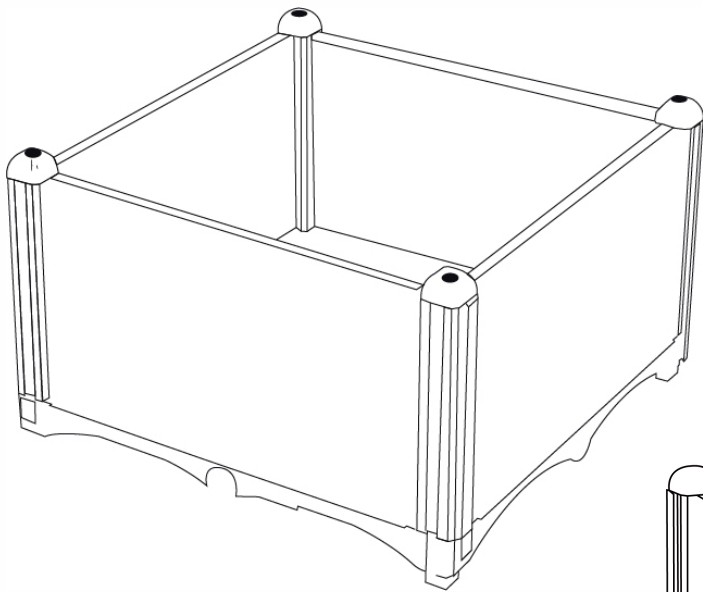


the LifeStyle
Barton
Home Office Patio

PLANTER BOX
ITEM: 94127



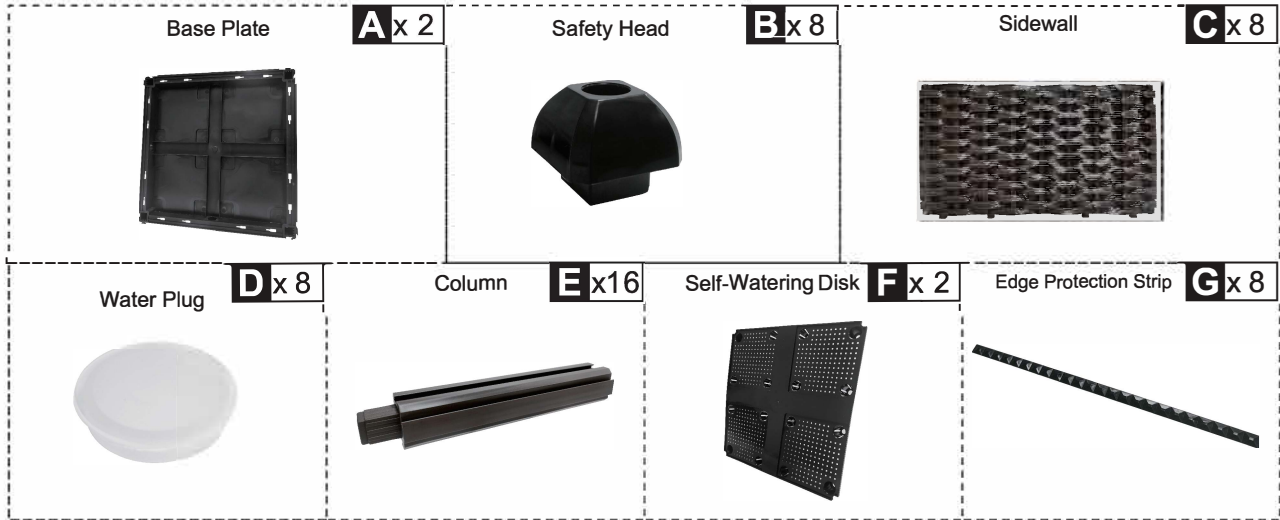
OWNER'S MANUAL AND SAFETY INSTRUCTIONS

SAVE THIS MANUAL: KEEP THIS MANUAL FOR SAFETY WARNINGS, PRECAUTIONS, ASSEMBLY, OPERATING, INSPECTION, MAINTENANCE AND CLEANING PROCEDURES. WRITE THE PRODUCT'S SERIAL NUMBER ON THE BACK OF THE MANUAL NEAR THE ASSEMBLY DIAGRAM (OR MONTH AND YEAR OF PURCHASE IF PRODUCT HAS NO NUMBER).

FOR QUESTIONS PLEASE CALL OUR CUSTOMER SUPPORT: (909) 628 0880 MON-FRI 9AM TO 3PM PST

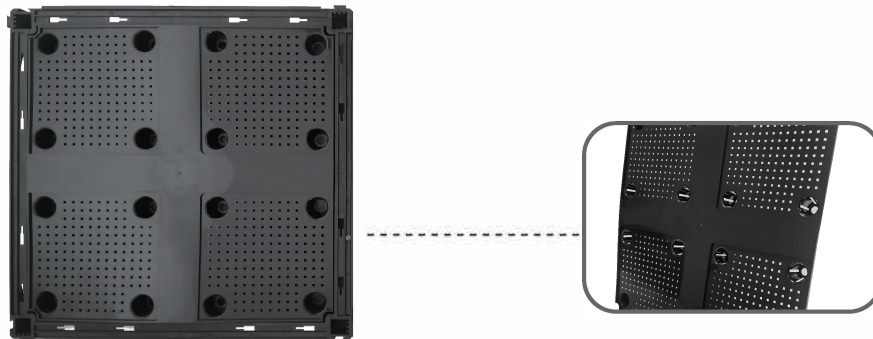
Parts List

IMPORTANT: Please check the completeness of the parts using the following parts list.

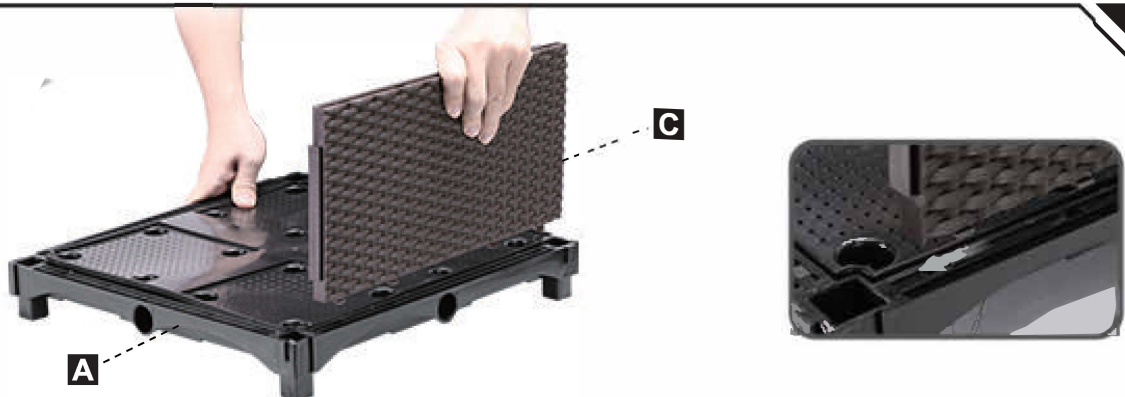
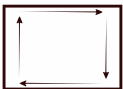


Installation Steps

01



1. Lay base plate **A** on a flat surface and put the self-watering disk **F** on it.



02

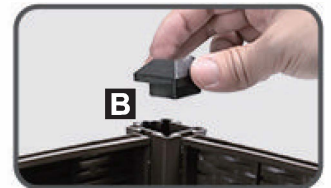
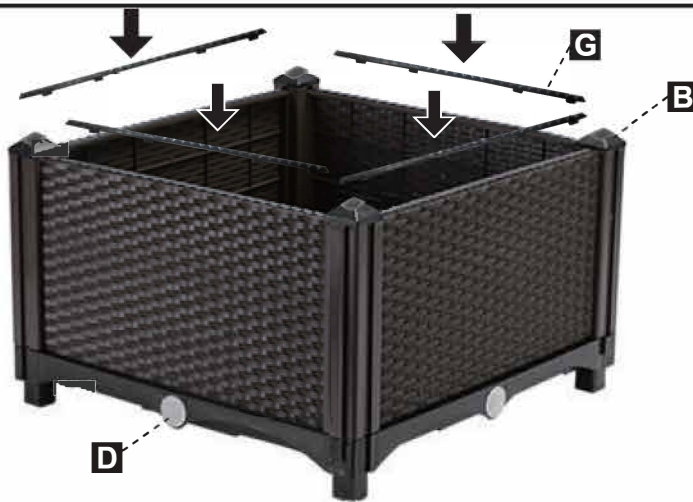
2. Insert the sidewalls **C** into the slot of the base plate **A** and push the sidewalls **C** clockwise to make them completely stuck.

03



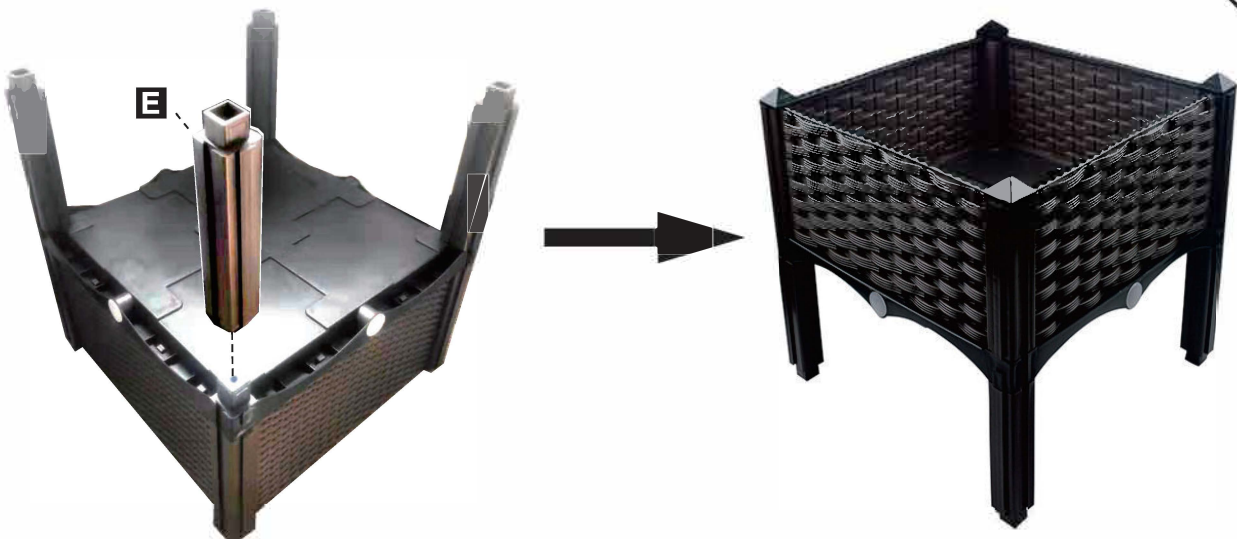
3. Insert the columns **E** on the 4 corners of the base plate **A** .
 Note: The convex groove of the column should face towards the buckle.

04



4. Press down to fix the safety heads **B** and the edge protection strips **G** ,
 insert the water plugs **D** into the drainage holes if necessary.

05



5. Insert the columns **E** into the feet at the bottom of the base plate **A** .



6. Follow the steps 1-4 to assemble another planting box, then place the two planting boxes together

