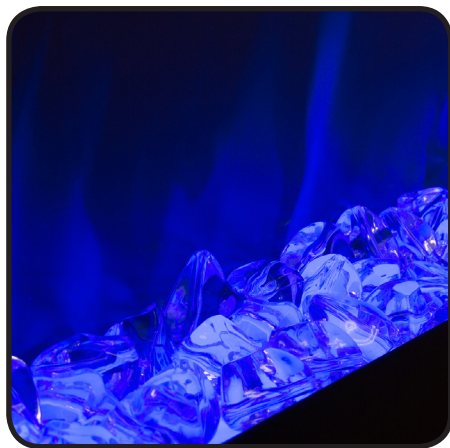
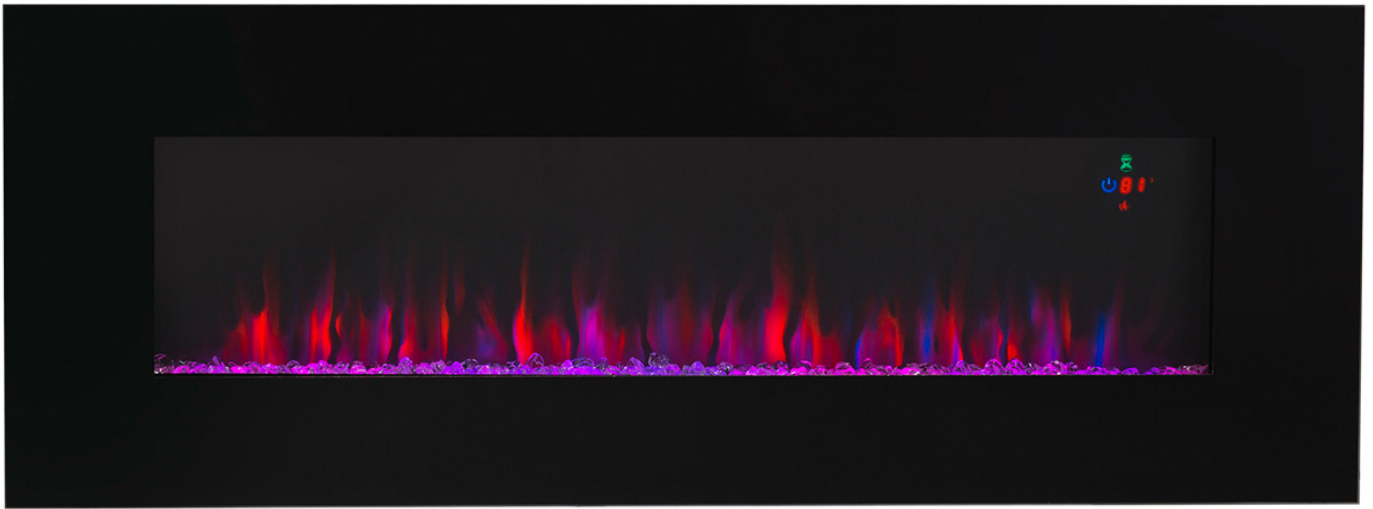




**50" WALL MOUNT ELECTRIC FIREPLACE WITH GLASS
FIRESTONE
ITEM: 95029**



OWNER'S MANUAL AND SAFETY INSTRUCTIONS

SAVE THIS MANUAL: KEEP THIS MANUAL FOR SAFETY WARNINGS, PRECAUTIONS, ASSEMBLY, OPERATING, INSPECTION, MAINTENANCE AND CLEANING PROCEDURES. WRITE THE PRODUCT'S SERIAL NUMBER ON THE BACK OF THE MANUAL NEAR THE ASSEMBLY DIAGRAM (OR MONTH AND YEAR OF PURCHASE IF PRODUCT HAS NO NUMBER)

FOR QUESTIONS PLEASE CALL OUR CUSTOMER SUPPORT: (909) 628 0880 MON-FRI 9AM TO 3PM PST



GENERAL SAFETY WARNINGS

Read all safety warnings and instructions. Failure to follow the warnings and instructions may result in electric shock, fire and/or serious injury. Save all warnings and instructions for future reference.

SAFETY

WARNING DO NOT use this product or any available optional equipment without first completely reading and understanding these instructions and any additional instructional material such as owner's manuals, service manuals or instruction sheets supplied with this product or optional equipment. When using an electrical appliance, basic precautions **MUST** be followed to reduce the risk of fire, electric shock and personal injury.

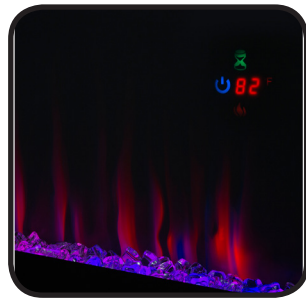
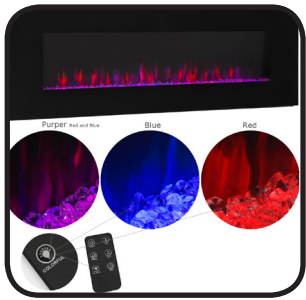
- **DO NOT** mix old and new batteries.
- **DO NOT** use rechargeable silver oxide cell batteries with the remote control unit.
- **DO NOT** mix alkaline. Standard carbon-zinc, or rechargeable batteries.
- **DO NOT** switch the appliance on until it is properly installed as described in this manual.
- **DO NOT** leave the fireplace unattended during use.
- **DO NOT** operate the fireplace if it has a damaged cord or if it has any other malfunction.
- **DO NOT** run the cable under carpets or rugs.
- **DO NOT** allow the mains cable to hang over any sharp edges or flat surfaces.
- This heater must be used on an AC supply only and the voltage marked on the heater must correspond with the supply voltage.
- Periodically check the cord for damage. **NEVER** use the appliance if there is any damage.
- This heater must be used on an AC supply only and the voltage marked on the heater must correspond with the supply voltage.
- Risk of burns. This fireplace is HOT when in operation and heating element is ON. Power to the fireplace should be turned off and the fireplace allowed to cool before servicing. To disconnect power to the fireplace, turn controls to off, then remove plug from outlet.
- Young children should be carefully supervised when they are in same room with fireplace. Toddlers, young children and others may be susceptible to accidental contact burns. A physical barrier is recommended if there are at risk individuals in the house. To restrict access to the fireplace, install an adjustable safety gate to keep toddlers, young children and other at risk individuals away from the fireplace and hot surfaces.
- Clothing and other flammable material should not be placed on or near the fireplace.
- Due to high temperatures, the fireplace should be located out of traffic and away from furniture and draperies.
- It is imperative that the control compartments, circulating blower, and its passageway in the fireplace is kept clean.
- Under no circumstances should this fireplace be modified.

- **DO NOT** use the fireplace if any part has been under water.
- **DO NOT** operate the fireplace with the glass panel removed, cracked or broken.
- Servicing should only be done while the fireplace is disconnected from the power outlet.
- Unplug fireplace if not being used for an extended period of time.
- **DO NOT** use outdoors.
- **NEVER** locate fireplace where it may fall into a bathtub or other water container.
- **DO NOT** insert foreign objects into any ventilation or exhaust opening as this may cause an electric shock, fire, or damage to the fireplace.
- Ensure clearances to combustibles are maintained when building a mantel or shelves above the fireplace. Elevated temperatures on the wall or in the air above the fireplace can cause melting, discoloration or damage to the decorations, a TV or other electronic components.
- Repairs to electrical appliance should be made by a qualified technician only.
- Overheating will result if it is accidentally covered.
- **NEVER** immerse the product in water or other liquids.
- **WARNING: DO NOT** open the back panel of the insert unless the power has been shut off and the insert has been unplugged.
- **WARNING:** Discontinue use of the electric fireplace if it has any of the following: Water damage, if the insert is dented or bent, if the power cord is damaged or hot to the touch or if the unit smokes or smells like smoke.

▲WARNING

**Read this material before using this product.
Failure to do so can result in serious injury.
SAVE THIS MANUAL.**

FEATURES



Description

Add a dash of romance to your home with the warmth and mesmerizing color play of this Fire and Ice electric fireplace. Its LED lights and crystals simulate flames dancing on embers while electric coils heat the surrounding air. There's no smoke, no chimney, and no need to build or tend this fire. It is always under your remote control - as bright and as warm as you please.

Features

- Insert Dimension: 43.5" x 15.75" x 6"
- Flame effect with three colors
- 750 and 1500 watt heat settings
- Heating type: Coiled wire heat
- Fan motor with aluminum blows heat from the top of the unit
- Adjustable flame brightness
- Materials: Metal, tempered glass
- Color: Black

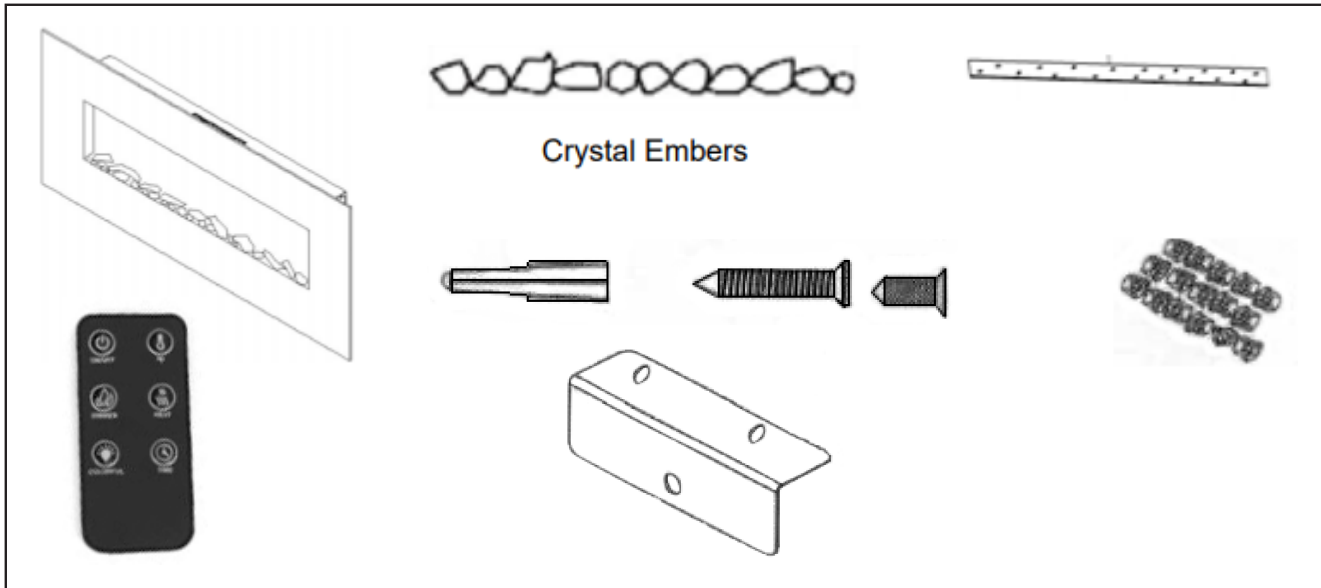
Package Contents

- Set includes: One fireplace, one remote control, hardwares (brackets and screws)
- Wall mounting hardware included
- Crystals (pebbles) included
- Instruction manual included

ASSEMBLY

Getting Started: Unpack the contents of the box

- Heater
- Wall fixing bracket and screws
- Remote control
- 1 x bracket and and 1 x bottom bracket
- 8 x 6x25mm top bracket; 2 x 4*8mm to fix tempered glass
- 2 x 4*8mm and 1 x 6x25mm to fix the bottom
- 1 instruction manual
- 1 bag of crystal embers , 1 x white board



Wall Mount Instructions

- This appliance is designed to be fixed to a wall at a minimum height of 300mm and the minimum distance from the top of the heater to the ceiling should be 1000mm. The all bracket must be fitted horizontally and the cable routed to the bottom right of the heater.
- A distance of 600mm from the bottom of the heater to the floor is recommended for optimum veiwing of the feul bed.

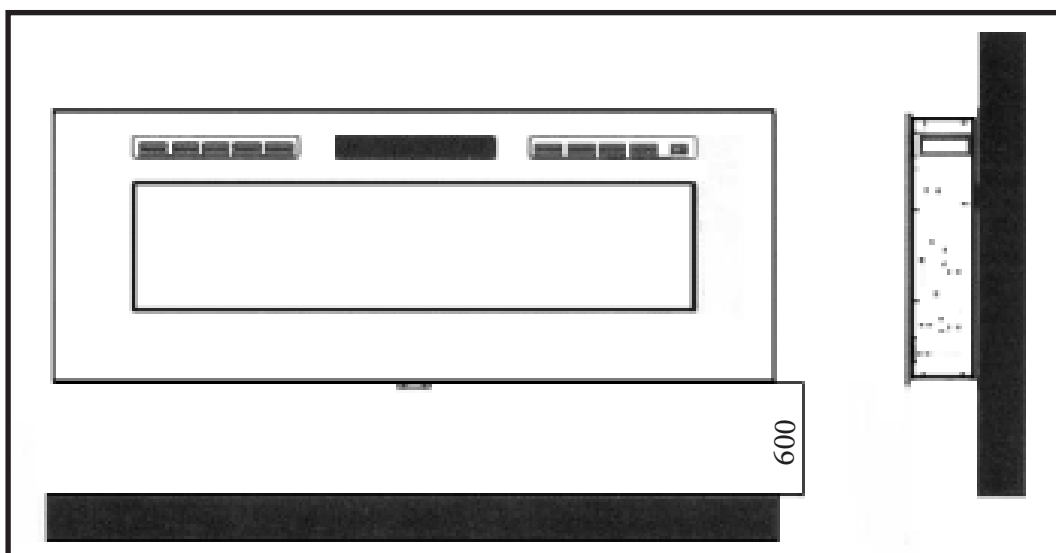


Fig. 1

ASSEMBLY

- Remove the back panel from the heater first. See Fig 2

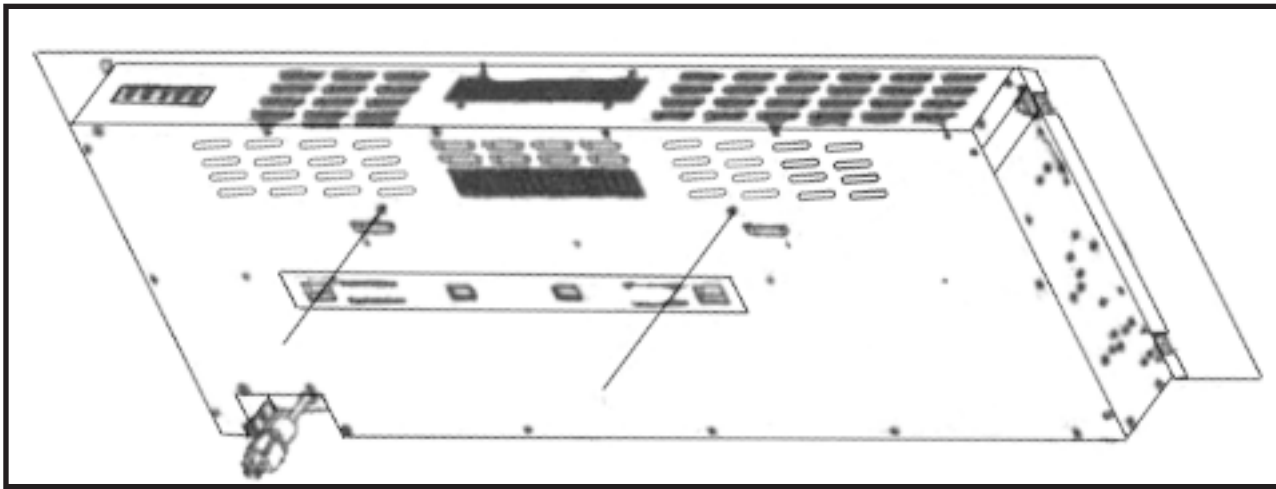


Fig. 2

- Remove the two pieces of white screws on both sides on the heater. See Fig 3

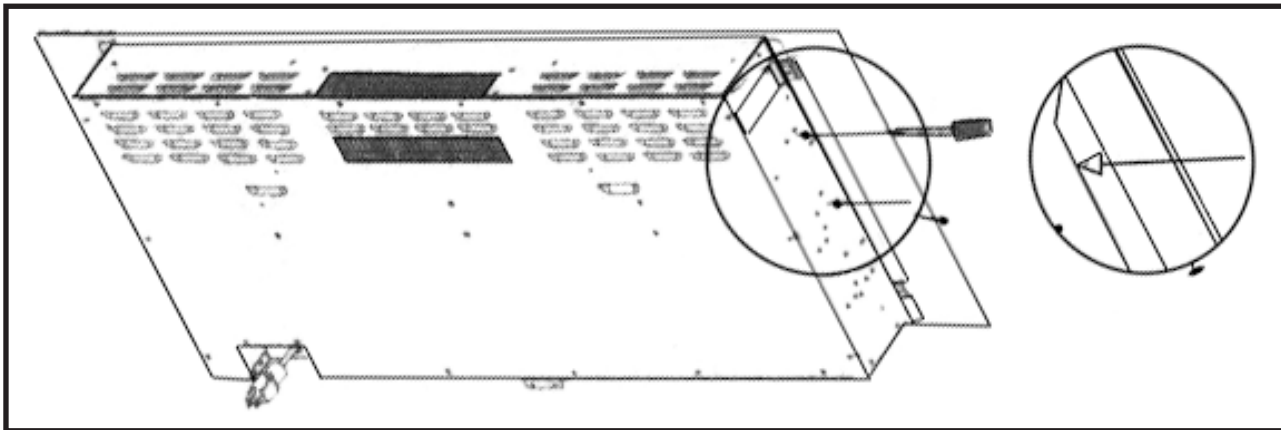


Fig. 3

- Drill holes with a #6 drill bit.
- Fix the wall bracket using the plug and 6x25mm screws provided.
- Carefully lift up the heater ensuring the top rear ledge of the heater engages with the wall bracket (see Fig. 4) and is sitting centrally. This process should be carried out by two people.
- Put the crystal up to the white border then gently bring the heater down against the wall.

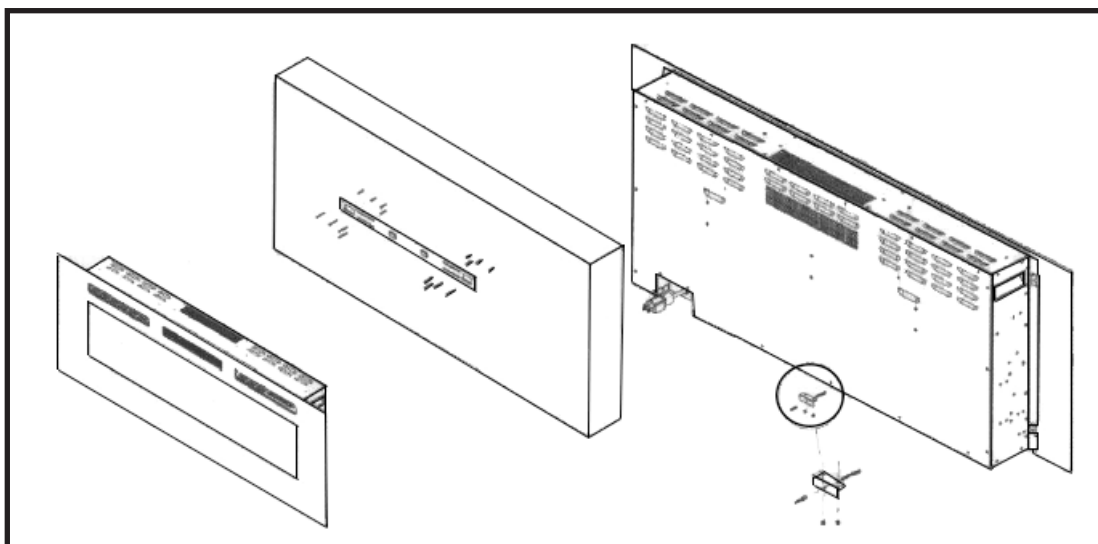


Fig. 4

ASSEMBLY

- Peel off the white board's protective film and put the crystal on the appliance.

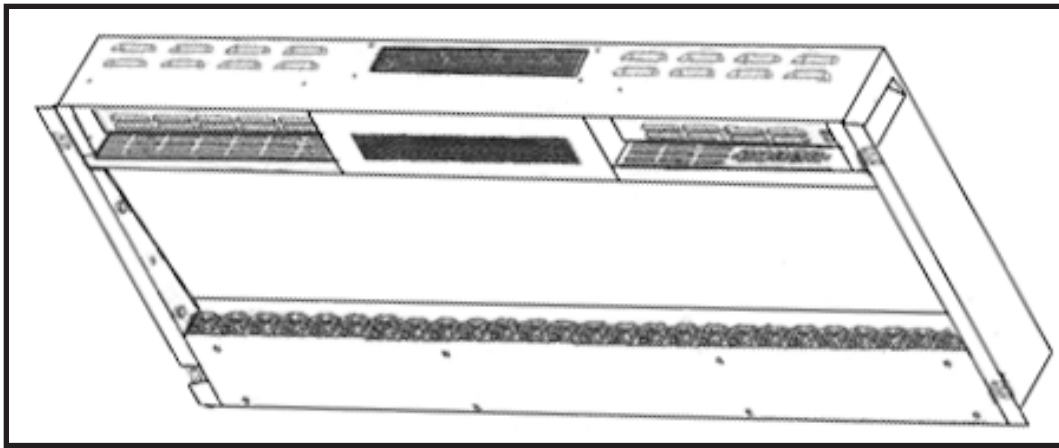


Fig. 5

- Place the front glass over the front of the fire aligning the slots in the bracket at each side of the glass panel with the lugs on the sides of the fire. Two people are required for this operatin. See Fig. 6

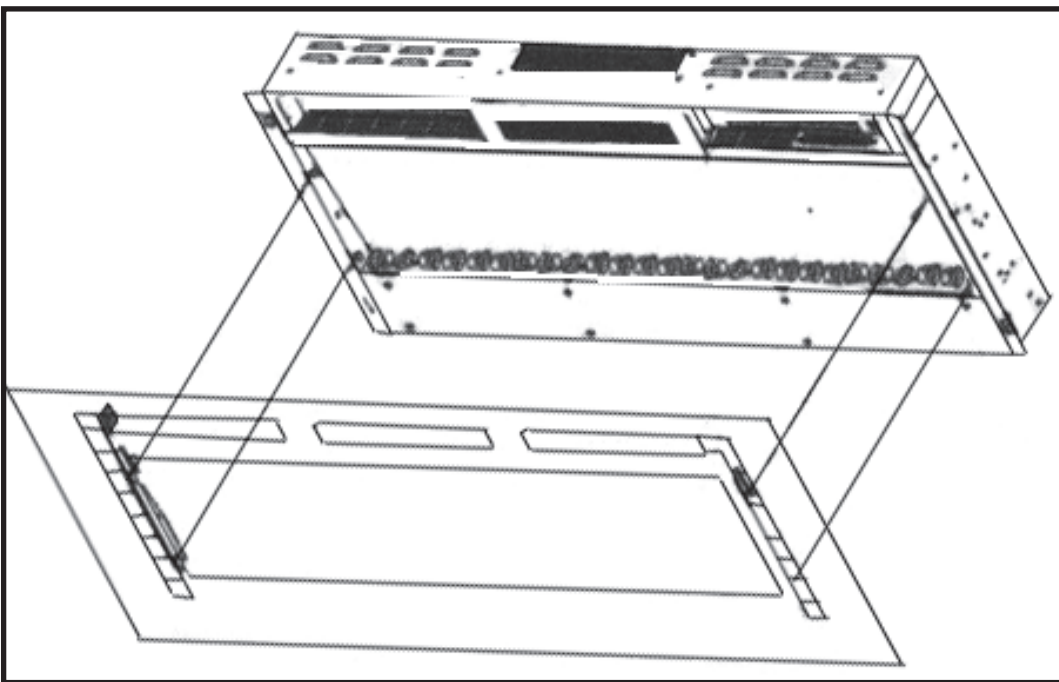


Fig. 6

- Fix the tempered glass with 2 pieces of 4x4*8mm screws provided. See Fig. 6

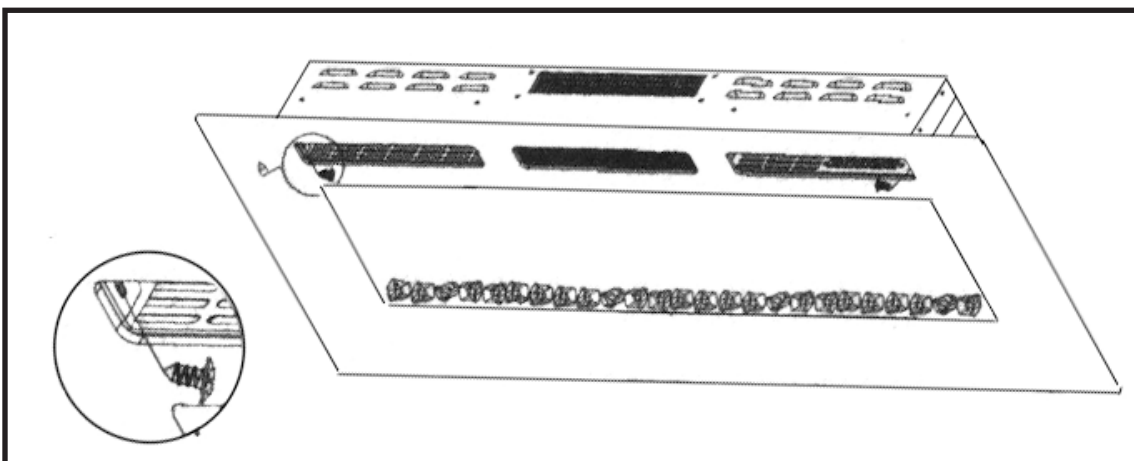


Fig. 7

ASSEMBLY

- Fasten two pieces of white screws of both sides. See Fig. 5

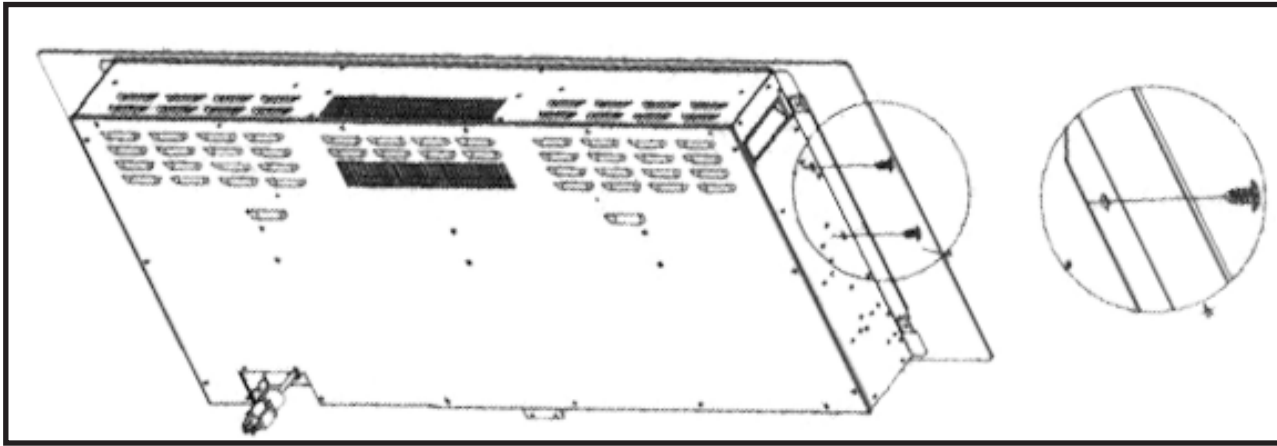


Fig. 5

- The switches located at the center right hand side of the fire. The standby switch must be switched on first.

Wall Insert Instructions

- Take the glass from the heater first then gently put the heater to the cut hole. This is a two person operation. See Fig. 1

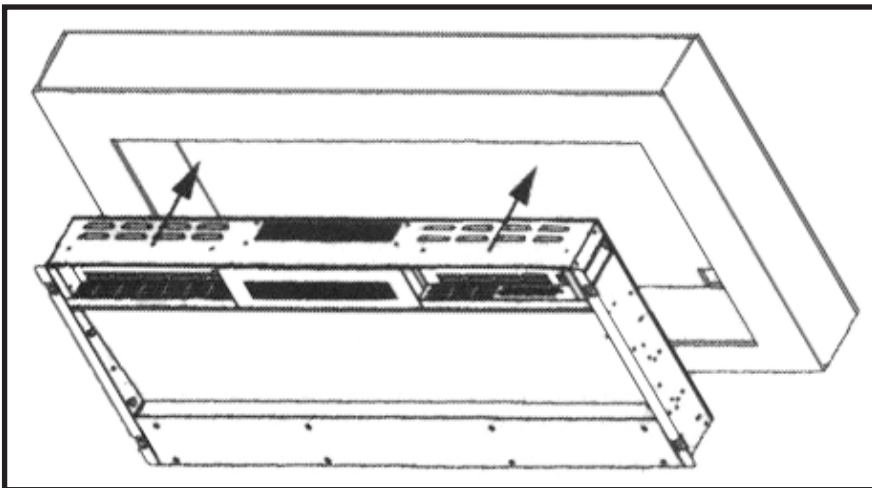


Fig. 2

- For optimum viewing, mark the left and right screws. Fixing positions on the wall in accordance with the appliance's holes. See Fig. 2

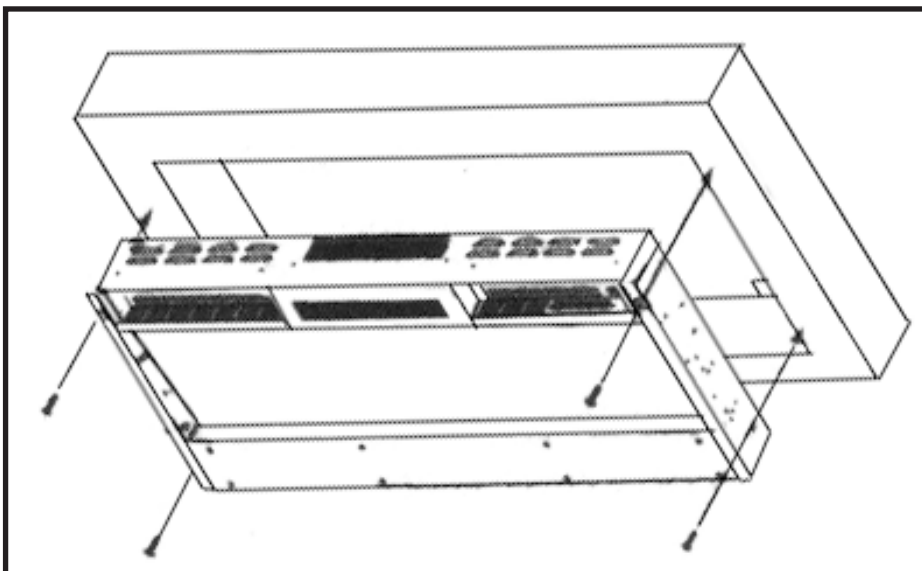


Fig. 3

ASSEMBLY

- Place the front glass surround over the front of the aligning slots in each bracket at each side of the glass panel with the lugs on the sides of the heater. See. Fig. 4
- Take the glass from the heater first then gently put the heater to the cut hole. This is a two person operation. See Fig. 1

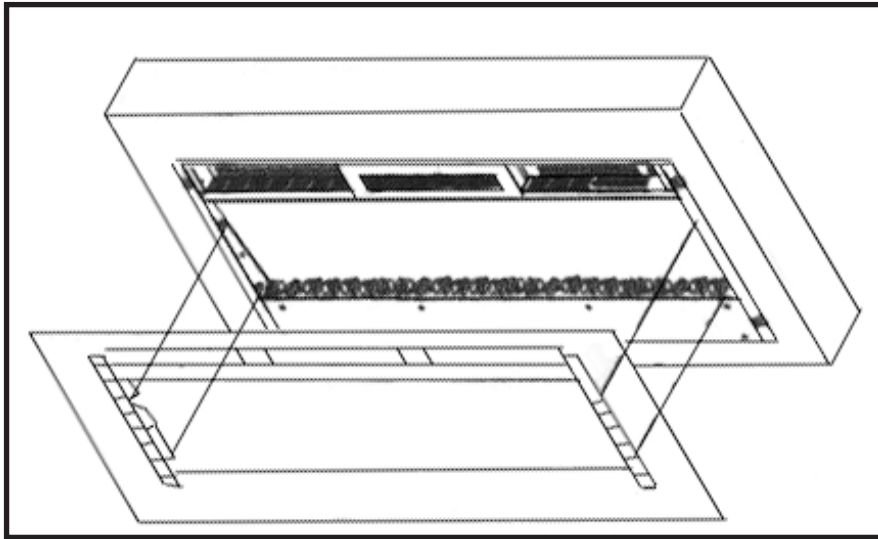


Fig. 4

- Fix the tempered glass with 2 of the 4*8mm screws as provided.

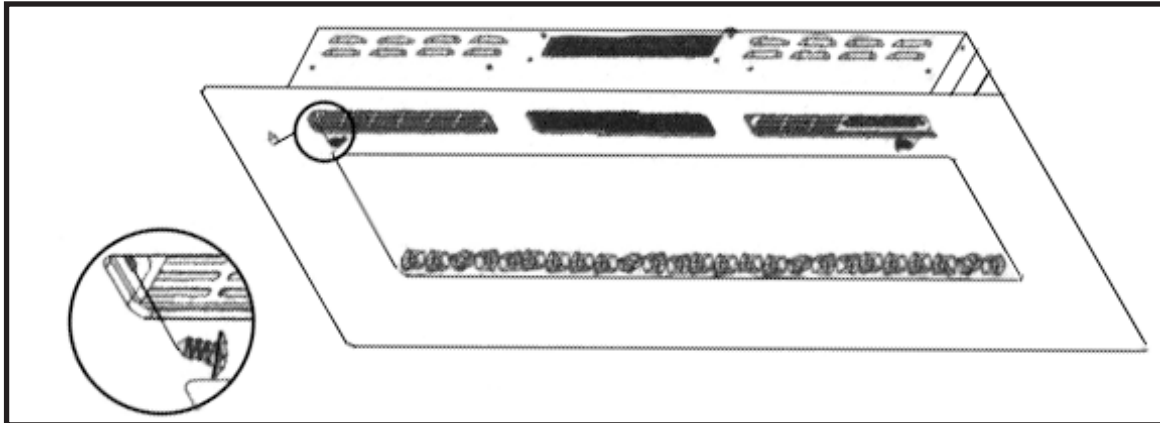


Fig. 4

OPERATION

- The heater can be operated either by the switches located in the top right side of the fireplace, or by the supplied remote control.

Control Panel Access



- The Standby switch at the center right hand side of the fireplace must be first switched on.
- It takes time for the receiver to respond to the transmitter. **DO NOT press the buttons more than once within two seconds for correct operation.**

- Press the **ON/OFF** button on the remote once, this turns the fireplace fire effect on and off.



- Press the **DIMMER** button to operate the Dimmer mode. Each time the Dimmer button is pressed, the flame intensity decreases. There are 5 brightness levels you can cycle through.



- Press the **HEAT** button once for the low heat setting (750W), press twice for for the high setting (1500W) and press again to turn the heat off.



- The highest temperature of the thermostat is 82°F. There are several levels you can cycle through between 62 °F to 82 °F, as well as the OFF setting.



- Press the **TIMER** button to cycle through the timer settings: 1H to 8H, as well as the OFF setting.



- Pressing the **COLOR** button changes the flame color. Pressing once will turn the amber embers to blue, pressing three times will bring you back to amber color.



Infrared Remote Control

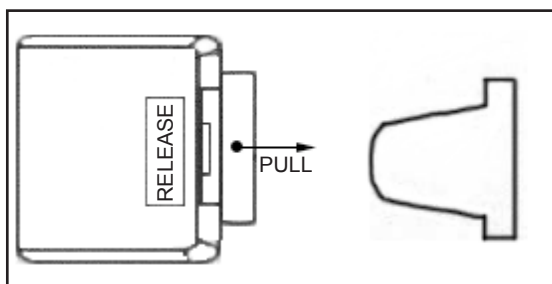


Fig. 6

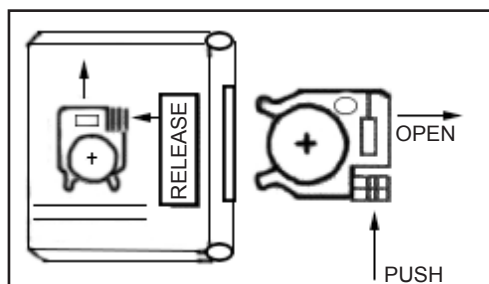
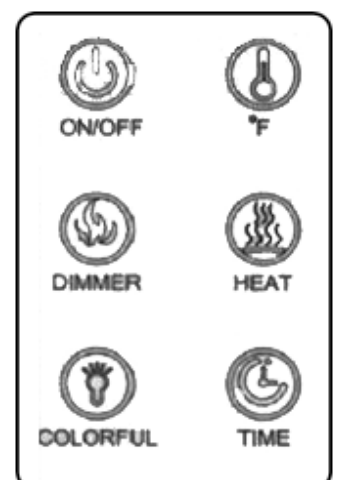


Fig. 7



MAINTENANCE

The remote control requires one 3V CR2025 Lithium Cell Battery (included). Remove the protective film between the battery and the contacts in order to operate. See Fig 6 & 7

Replace the Remote Control Battery

When the remote control stops operating or it's range is reduced, it is time to replace the batteries.

1. The battery compartment is located on the back end of the remote.
2. Press and slide the battery door open and remove the old battery.
3. Insert the CR2025 battery, checking that the "+" and the "-" terminals of the battery matched inside the
4. Replace the battery compartment door.

Replace the LED Bulb

The flame effect on this fireplace insert is created by LED bulbs. The life of the bulbs is approximately 100,000 hours. If the bulbs need replaced, it is recommended a qualified technician to replace the bulbs.

Technical Specifications

- **Supply:** 120V/60Hz
- **Rated Power:** 750W/1500W



DO NOT dispose of electrical appliances as unsorted municipal waste. Use separate collection facilities.

Safety Cut-Off

This appliance is fitted with a safety cut-off which will operate if the fire overheats (like blocked air vents) For safety reasons, the fire will NOT automatically reset. To reset the appliance, disconnect the appliance from the mains supply for at least 15 minutes. Reconnect the supply to the mains and switch on the appliance.

Care and Maintenance

Cleaning: Always turn the heater OFF and unplug the power cord from the outlet before cleaning, performing maintenance or moving the fireplace.

NEVER immerse in water or liquid of any kind. **DO NOT** spray with water or any other liquids. Doing so may result in electric shock, fire or personal injury.

Metal: Buff using a soft cloth that is slightly dampened with a citrus oil-based product. **DO NOT** use brass polish or household cleaners as these products can damage the metal trim.

Glass: Use a good quality glass cleaner sprayed onto a cloth or towel. Dry thoroughly with a paper towel or lintfree cloth. **NEVER** use abrasive cleansers, liquid sprays, or any cleaner that could scratch the surface.

Vents: Use a vacuum or duster to remove dust and dirt from the heater and vent areas.

Plastic: Wipe gently with a slightly damp cloth and a mild solution of dish soap and warm water. **NEVER** use abrasive cleansers, liquid sprays, or any cleaner that could scratch the surface.

PLEASE READ THE FOLLOWING CAREFULLY

THE MANUFACTURER AND/OR DISTRIBUTOR HAS PROVIDED THE PARTS LIST AND ASSEMBLY DIAGRAM IN THIS MANUAL AS A REFERENCE TOOL ONLY. NEITHER THE MANUFACTURER OR DISTRIBUTOR MAKES ANY REPRESENTATION OR WARRANTY OF ANY KIND TO THE BUYER THAT HE OR SHE IS QUALIFIED TO MAKE ANY REPAIRS TO THE PRODUCT, OR THAT HE OR SHE IS QUALIFIED TO REPLACE ANY PARTS OF THE PRODUCT. IN FACT, THE MANUFACTURER AND/OR DISTRIBUTOR EXPRESSLY STATES THAT ALL REPAIRS AND PARTS REPLACEMENTS SHOULD BE UNDERTAKEN BY CERTIFIED AND LICENSED TECHNICIANS, AND NOT BY THE BUYER. THE BUYER ASSUMES ALL RISK AND LIABILITY ARISING OUT OF HIS OR HER REPAIRS TO THE ORIGINAL PRODUCT OR REPLACEMENT PARTS THERETO, OR ARISING OUT OF HIS OR HER INSTALLATION OF REPLACEMENT PARTS THERETO.

Record Product's Serial Number Here: _____

Note: If product has no serial number, record month and year of purchase instead.

Note: Some parts are listed and shown for illustration purposes only and are not available individually as replacement parts.



Questions, problems, missing parts?

Before returning to your retailer, our exceptional customer service is available.

Call us Tel: **909 628 0880**

Hour : **9am To 3pm PST (Monday to Friday)**

Email : **customer@xtremepowerusa.com**