



# OUTDOOR DOUBLE BURNER STOVE

ITEM: 95537



## OWNER'S MANUAL AND SAFETY INSTRUCTIONS

SAVE THIS MANUAL: KEEP THIS MANUAL FOR SAFETY WARNINGS, PRECAUTIONS, ASSEMBLY, OPERATING, INSPECTION, MAINTENANCE AND CLEANING PROCEDURES. WRITE THE PRODUCT'S SERIAL NUMBER ON THE BACK OF THE MANUAL NEAR THE ASSEMBLY DIAGRAM (OR MONTH AND YEAR OF PURCHASE IF PRODUCT HAS NO NUMBER).

FOR QUESTIONS PLEASE CALL OUR CUSTOMER SUPPORT: (909) 628-0880 MON-FRI 9AM TO 3PM PST



## GENERAL SAFETY WARNINGS

Read all safety warnings and instructions. Failure to follow the warnings and instructions may result in electric fire and/or serious injury. Save all warnings and instructions for future reference.

## SAFETY

---

Read these instructions for use carefully. Familiarise yourself with the appliance before connecting it to a gas cylinder. Keep these instructions for future reference. This instruction manual contains important information necessary for the proper assembly and safe use of the appliance. Follow all warnings and instructions when using the appliance. If you have questions about assembly, operation, servicing or repair of this product, please call Customer Service at 909.628.0880.

- **Read and understand all instructions.** Failure to follow all instructions may result in serious injury or property damage.
- **DO NOT** allow persons to operate or assemble the product until they have read this manual and have developed a thorough understanding of how it works.
- **DO NOT modify this product in any way.** Unauthorized modification may impair the function and/or safety and could affect the life of the product. There are specific applications for which the product was designed.
- **NEVER** operate this appliance unattended.
- **NEVER** operate this appliance within 10 ft (3 m) of any structure, combustible material or other gas cylinder.
- **NEVER** operate this appliance within 25 ft (7.5 m) of any flammable liquid.
- **DO NOT** leave this appliance unattended while in use. The user must remain in the immediate area of the product and have a clear view of the product at all times during operation.
- Keep children and pets away from burners at all times.
- For use with a 20lb Propane Tank only, not for use with natural gas or other gas source. Any alterations may cause severe injury or even death.
- This product is not intended for commercial use.
- In case there is a fire, call the local fire department or dial 911. Stay clear from flames. **DO NOT** attempt to extinguish an oil or grease fire with water.
- Use only accessories, such as cooking vessels recommended by the manufacturer, to allow safe and proper performance of the product. Never use a cooking vessel larger than the capacity and diameter recommended by the manufacturer.
- For **OUTDOOR** use only. **DO NOT** use in a building, garage or any other enclosed area. **DO NOT** use in or on recreational vehicles or boats. **NEVER** use this appliance as a heater.
- **DO NOT** operate appliance under ANY overhead construction. Keep a minimum clearance of 10 feet (3 m) from the sides, front and back of appliance to ANY construction. Keep the area clear of all combustible material and flammable liquids, including wood, dry plants and grass, brush, paper, and canvas.

# IMPORTANT SAFETY INFORMATION

- Use **ONLY** on a level, stable non-combustible surface like bricks, concrete or dirt. **DO NOT** use this appliance on any surface that will burn or melt like wood, asphalt, vinyl, or plastic.
- Keep the fuel supply hose away from any heated surfaces.
- To prevent accidental fires, before using the appliance ensure that the hose is not damaged and all joints and connections are not leaking by turning on the cylinder valve, leave the burner valve closed, and apply a soapy solution to the joints and connections. If a continuous hissing sound is heard, or if the soapy solution bubbles, there is a leak. **DO NOT** use the appliance if there is a leak. Replace the faulty parts.
- Extinguish all open flames before connecting the gas supply to the appliance and before checking for leaks.
- Use appliance only with LP (propane) gas and the regulator/valve assembly supplied. • Installation must conform with local codes, or in their absence with National Fuel Gas Code, NFPA 54/ANSI Z223.1. Handling and storage of LP cylinders must conform to LP Gas Code NFPA/ANSI 58. Appliance is not for use in or on recreational vehicle and/or boats.
- Before opening LP tank valve, check the coupling nut for tightness. When appliance is not in use, turn off control knob and LP tank valve on supply cylinder.
- **NEVER** use LP tank if visibly rusted, damaged, or out of date.
- If you notice grease or other hot material dripping from appliance onto valve, hose or regulator, turn off gas supply at once. Determine the cause, correct, clean and inspect valve, hose and regulator before continuing. Perform a leak test.
- Clean and inspect the hose before each use of the appliance. If there is evidence of abrasion, wear, cuts or leaks, the hose must be replaced prior to the appliance being put into operation. See product sheet for hose & regulator information.
- **DO NOT** block holes in bottom or sides of appliance.
- **ALWAYS** close LP tank valve and remove coupling nut before moving LP tank from specified operating position.
- **NEVER** store a spare LP tank under or near appliance or in enclosed areas. **NEVER** fill the cylinder beyond 80% full. An overfilled spare LP tank is hazardous due to possible gas released from the safety relief valve. Failure to follow these instructions exactly could cause a fire resulting in death or serious injury.
- If you see, smell, or hear escaping gas, immediately get away from the LP tank/appliance and call your fire department.
- Combustion by-products produced when using this product contain chemicals known to the State of California to cause cancer, birth defects, or other reproductive harm.
- Turn **OFF** all control knobs and LP tank valve. Turn coupling nut counterclockwise by hand only – **DO NOT** use tools to disconnect. Install safety cap onto LP tank valve. **ALWAYS** use cap and strap supplied with valve. Failure to use safety cap as directed may result in serious personal injury and/or property
- A disconnected LP tank in storage or being transported must have a safety cap installed (as shown). **DO NOT** store an LP tank in enclosed spaces such as a carport garage, porch, covered patio or other building. **NEVER** leave an LP tank inside a vehicle, which may become overheated by the sun.
- Storage of an appliance indoors is permissible only if the cylinder is disconnected and removed from the appliance.

# IMPORTANT SAFETY INFORMATION

- The LP tank used with your appliance must meet the following requirements: Purchase LP tanks only with these required measurements: 12" (30.5cm) (diameter) x 18" (45.7cm) (tall) with 20 lb. (9 kg.) capacity maximum. Be constructed and marked in accordance with specifications for LP tank of the U.S. Department of Transportation (DOT) or the National Standard of Canada, CAN/CSA-B339, Cylinders, Spheres and Tubes for the Transportation of Dangerous Goods. The propane cylinder used with this appliance must include a collar to protect the cylinder valve.
- LP tank valve must have: Type 1 outlet compatible with regulator or appliance. Safety relief valve. • UL listed Overfill Protection Device (OPD). This OPD safety feature is identified by a unique triangular hand wheel. Use only tanks equipped with this type of valve. LP tank must be arranged for vapor withdrawal.
- LP gas is non-toxic, odorless and colorless when produced. For Your Safety, LP gas has been given an odor (similar to rotten cabbage) so that it can be smelled.
- LP gas is highly flammable and may ignite unexpectedly when mixed with air.
- Leak test must be repeated each time LP tank is exchanged or refilled. **DO NOT** smoke during leak test. **DO NOT** use an open flame to check for gas leaks.
- Appliance must be leak checked outdoors in well-ventilated area, away from ignition sources such as gas fired or electrical appliances. During leak test, keep appliance away from open flames or sparks.
- Use a clean paintbrush and 50/50 soap and water solution. Use mild soap and water. **DO NOT** use household cleaning agents. Damage to gas train components can result. Brush soapy solution onto all weld seams and entire valve area.
- **NEVER** use a stove of any kind to heat your home.
- **NEVER** attempt to move the grill while it is lit. Turn off and disconnect propane prior to moving grill. Failure to do so may cause a leak in the connections and could easily cause a fire or explosion with future use.
- **DISCONTINUE USE IF THERE IS ANY SIGNS OF DAMAGE OR WEARING THAT MAY BE UNSAFE**, Including but not limited to wearing on the regulator or hose, wearing or damage to plate support, damage or loose wheels/base.
- Inspect and test folding tables on the side to make sure they are locked in place and secure prior to putting weight on them.
- **NEVER** put more than 10 pounds on the side table. This is not a seat or resting area, never sit on the side tables.
- **NEVER** Leave the grill unattended while in use.



**SAVE THESE WARNINGS**

# PRODUCT INFORMATION

## Barton Outdoor Camping Propane Double Burner Stove 2 Folding Cook Cooking Station Stand Picnic BBQ Grill 58,000 BTU

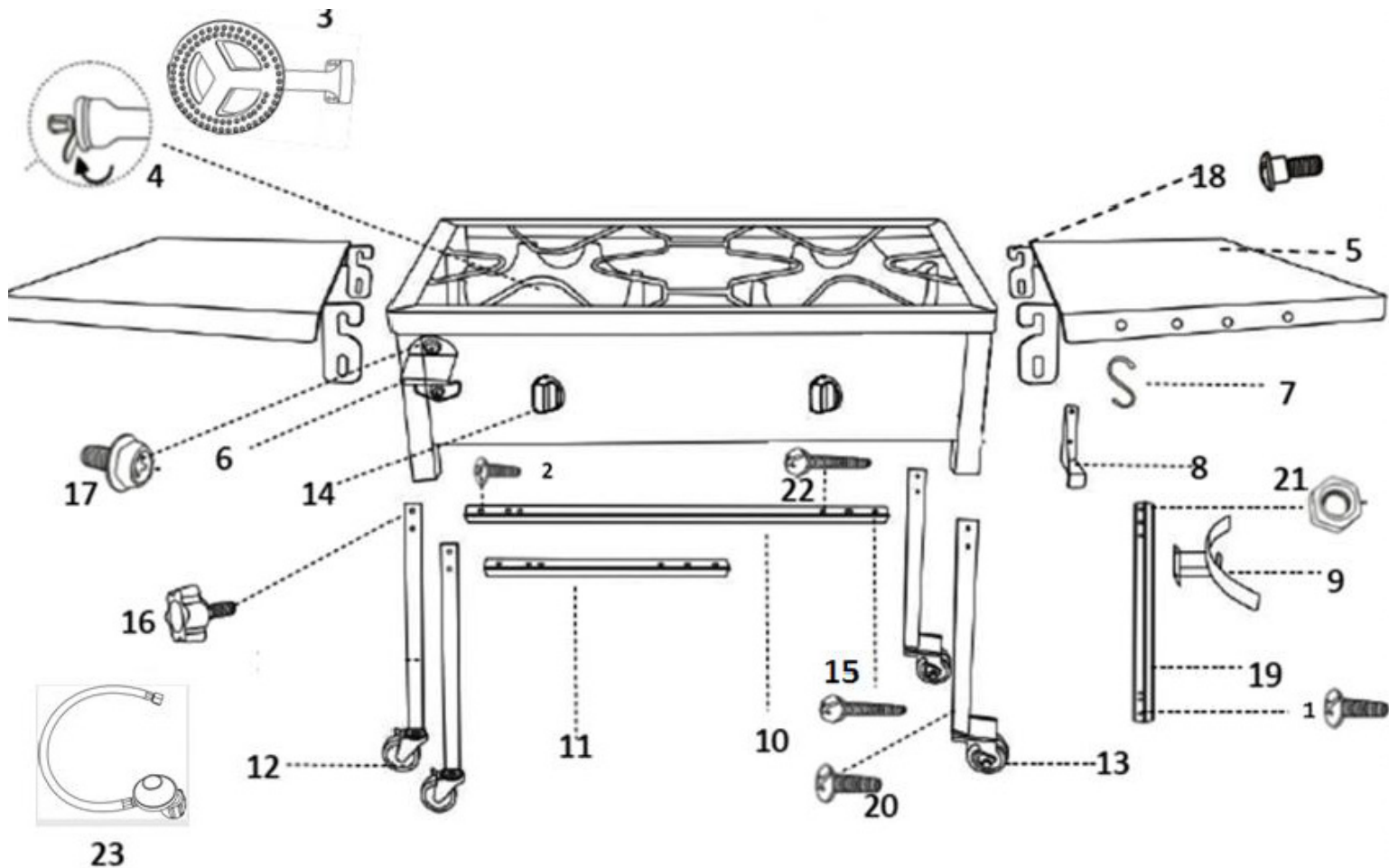
The Barton Outdoor Camping Propane Double Burner Stove Station features twin 58,000 BTU propane stoves and convenient drop-down side tables made to be compact and portable for a diverse selection of outdoor cooking applications. This outdoor cooking stove is perfect for on-the-go cooking when bringing friends or family for some outdoor camping and adventure fun. Easily transport the double burner stove on and off the camp site using its built-in swivel caster wheels for quick mobility and easy transport.



### FEATURES

- 58,000 BTU
- Double burners with large temperature controlling knobs for adjustable flame and quick heating
- Large 4 swivel caster wheels provide quick mobility and easy transport for on-the-go outdoor cooking
- Mounted propane burner design lets you easily secure propane gas tanks safely underneath the burners
- Compatible for use with stainless steel griddle or flat top grills attachments (sold separately)
- 4 hook utensil holder helps hold your grilling tools like gloves, spatula, tongs and handy grill scraper
- Perfect cooking stove specially designed to be portable and lightweight for outdoor cooking when camping, picnicking, backpacking, and various outdoor applications
- Primary Material: Cast Iron    • Propane Fuel: LPG    • Ignition Type: Manual    • Certification: CSA
- Maximum BTU: 58,000    • Cooking Area: 496 sq. ft.
- Overall Dimensions: 56 in. x 17 in. x 29 in.

# PARTS



## Tools needed for assembly

- ✓ Screwdriver
- ✓ Adjustable Wrench (or 10mm wrench)
- ✓ Ignition lighter

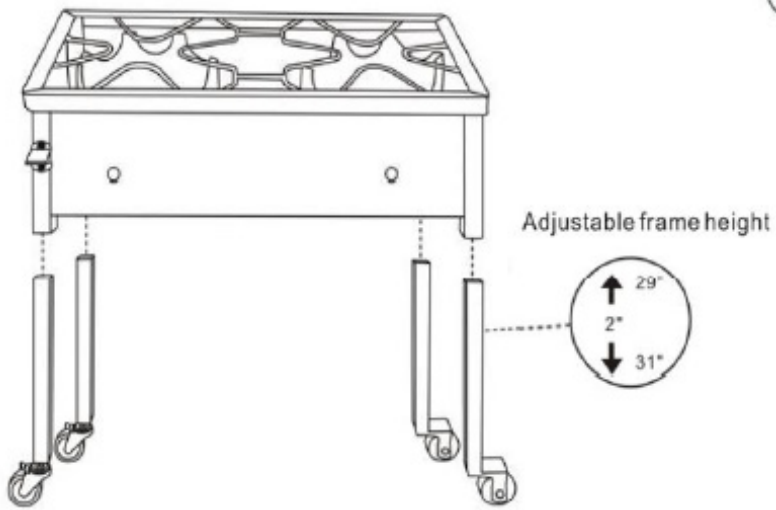


## Parts List

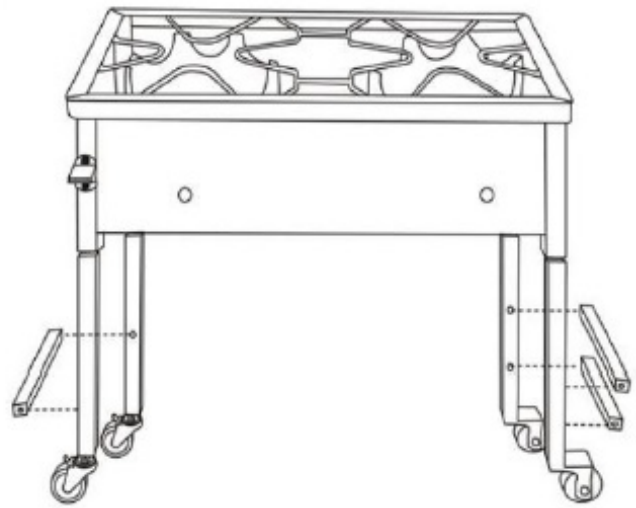
#	DESCRIPTION	QTY	#	DESCRIPTION	QTY
1	Screw(6*40mm)	4	13	Leg with Direction wheel	2
2	Screw(6*45mm)	1	14	Range knob	2
3	Burner	2	15	Screw(6*70mm)	1
4	Air damper	2	16	Screw(6*12mm)	8
5	Foldable table	2	17	Screw(6*16mm)	2
6	Bottle opener	1	18	Screw(6*16mm)	8
7	Hook	4	19	Gas tank stand(46.5*2.5*2.5cm)	1
8	Triangle hook for gas tank	1	20	Screw(6*55mm)	6
9	Propane holder	1	21	Nut	5
10	Leg spacer(107*2.5*2.5cm)	1	22	Screw(6*60mm)	1
11	Leg spacer (32.5*2.5*2.5cm)	3	23	0-1PSI regulator& hose	1
12	Leg with Wheel with lock	2			

# ASSEMBLY

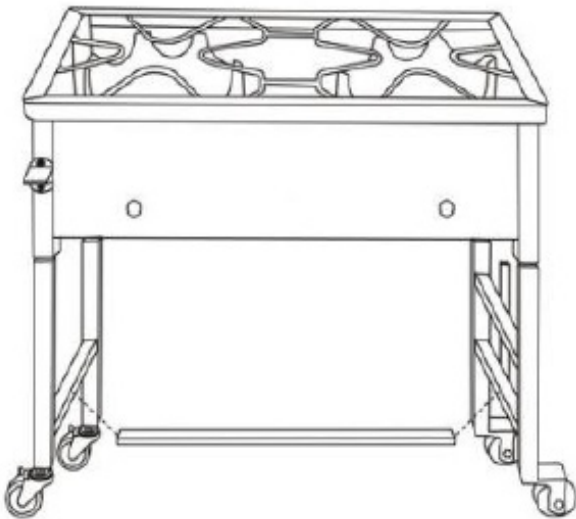
①



②



③



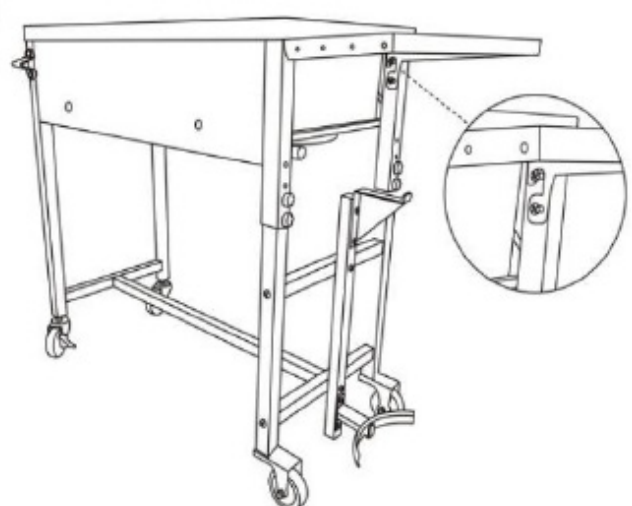
④



⑤



⑥



# OPERATION

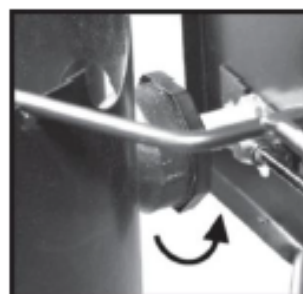
- **58,000 BTU**
- The pot support area is made with Iron that has been finished with a high heat resistant coating. We use an open cruciform shape in order to keep a secure foundation while still allowing the most heat transmission to your cooking surface.
- Temperature controlling knobs
- CSA certified regulator
- For use with stainless steel griddle or similar products
- Comes with drop down side tables to make it more compact



## ✂ Instructions

### ① INSTALL PREPARATION

- Step 1: Follow "ASSEMBLY INSTRUCTION" to install burner and assemble unit.
- Step 2: Place stove on a level and stable surface.
- Step 3: Make sure there is propane in the tank and it is turned OFF, connect propane tank and stove with regulator and hose.
- Step 4: Make sure air damper can move (Picture 1).



Picture 1



Picture 2

### ② GAS LEAK TESTING

- Step 1: Slowly open propane tank valve and check for leaks by applying small amount of liquid soap and look for bubbles. If you smell gas, **TURN OFF** propane valve immediately.
- Step 2: Detach and reconnect the regulator on tank and test it again, if leaking continues, please stop using and contact retailer/distributor for help. (Picture2)
- Step 3: If no gas is detected, please follow Part Three OPERATION.



Picture 3



Picture 4

### ③ OPERATION

- Step 1: Lock the wheels to prevent it from moving. (Picture 3).
- Step 2: Hold a fire lighter near the burner. (Picture 4)
- Step 3: Start with the minimum fire and slowly adjust the air damper up and down (Picture 1) until burner has blue flame, some yellow tips on the flame is normal.
- Step 4: Place stainless steel plancha/griddle, comal or caso on top of cooking surface to cook meat/tacos, toast tortillas or to heat and cook a wide variety of your favorite foods.,

	<b>CARBON MONOXIDE HAZARD</b>
	<p>Never use this product in an enclosed space.</p> <p>This appliance can produce carbon monoxide which has no odor. It may seriously danger you or others, including property.</p>



# DISCLAIMER

## PLEASE READ THE FOLLOWING CAREFULLY

THE MANUFACTURER AND/OR DISTRIBUTOR HAS PROVIDED THE PARTS LIST AND ASSEMBLY DIAGRAM IN THIS MANUAL AS A REFERENCE TOOL ONLY. NEITHER THE MANUFACTURER OR DISTRIBUTOR MAKES ANY REPRESENTATION OR WARRANTY OF ANY KIND TO THE BUYER THAT HE OR SHE IS QUALIFIED TO MAKE ANY REPAIRS TO THE PRODUCT, OR THAT HE OR SHE IS QUALIFIED TO REPLACE ANY PARTS OF THE PRODUCT. IN FACT, THE MANUFACTURER AND/OR DISTRIBUTOR EXPRESSLY STATES THAT ALL REPAIRS AND PARTS REPLACEMENTS SHOULD BE UNDERTAKEN BY CERTIFIED AND LICENSED TECHNICIANS, AND NOT BY THE BUYER. THE BUYER ASSUMES ALL RISK AND LIABILITY ARISING OUT OF HIS OR HER REPAIRS TO THE ORIGINAL PRODUCT OR REPLACEMENT PARTS THERETO, OR ARISING OUT OF HIS OR HER INSTALLATION OF REPLACEMENT PARTS THERETO.

### **Record Product's Serial Number Here:** \_\_\_\_\_

**Note:** If product has no serial number, record month and year of purchase instead.

**Note:** Some parts are listed and shown for illustration purposes only and are not available individually as replacement parts.

## Questions, issues or missing parts?

Before returning to your retailer, our customer service team is here to help.



Call Us: 909.628.0880

Email Us: [customer@bartonliving.com](mailto:customer@bartonliving.com)

Hours of Operation: 9am - 3pm PST Monday - Friday

**PRODUCT MADE IN CHINA**