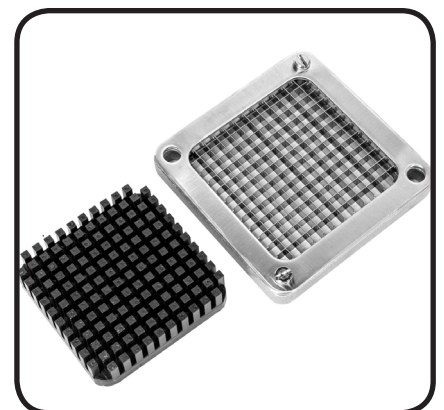
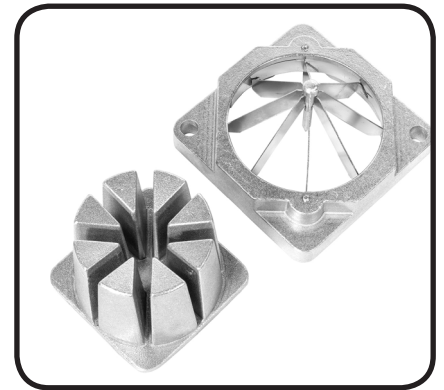




MANUAL FRENCH FRY CUTTER

ITEM: 96016



OWNER'S MANUAL AND SAFETY INSTRUCTIONS

SAVE THIS MANUAL: KEEP THIS MANUAL FOR SAFETY WARNINGS, PRECAUTIONS, ASSEMBLY, OPERATING, INSPECTION, MAINTENANCE AND CLEANING PROCEDURES. WRITE THE PRODUCT'S SERIAL NUMBER ON THE BACK OF THE MANUAL NEAR THE ASSEMBLY DIAGRAM (OR MONTH AND YEAR OF PURCHASE IF PRODUCT HAS NO NUMBER).

FOR QUESTIONS PLEASE CALL OUR CUSTOMER SUPPORT: (909) 628 0880 MON-FRI 9AM TO 3PM PST



GENERAL SAFETY WARNINGS

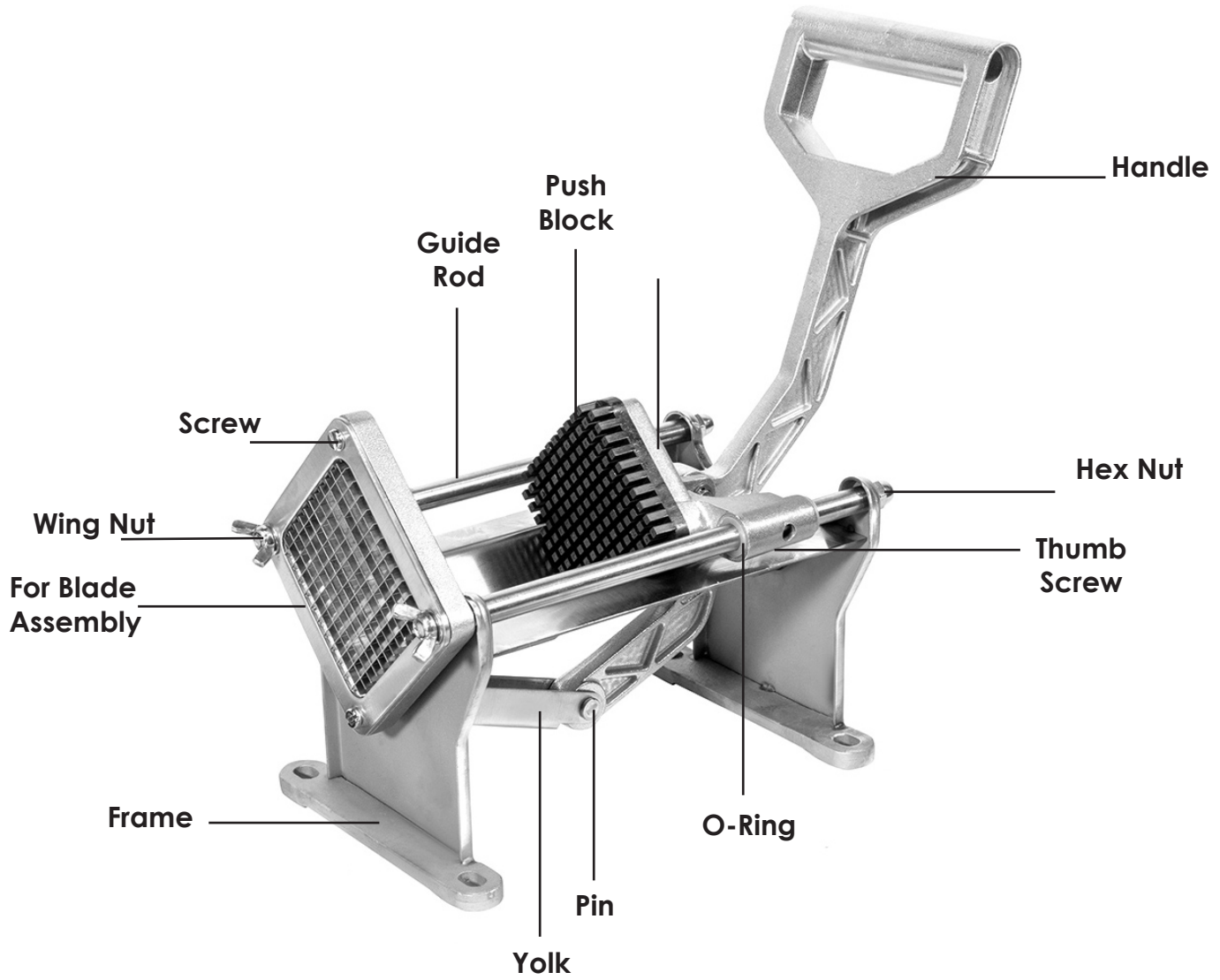
The warnings, precautions, and instructions discussed in this instruction manual cannot cover all possible conditions and situations that may occur. It must be understood by the operator that common sense and caution are factors which cannot be built into this product, but must be supplied by the operator. Read carefully and understand all instructions before operating. Failure to follow the safety rules and other basic safety precautions may result in serious personal injury.

- Use this appliance only for its intended purpose as described in this owner's manual.
- **ALWAYS** ensure that the appliance is properly assembled and safely setup before use.
- **CAUTION:** This appliance is not recommended for use near or by children or persons with certain disabilities. Set up and store the appliance out of reach of children. Store the device in a secure and dry place out of reach of children. **DO NOT** allow children to operate the appliance.
- **CAUTION:** Exposed sharp metal blades! Use Extreme Caution when handling and cleaning metal blades. Do not touch sharp edge of the blades. It is recommended that cut resistant gloves be worn when handling the blades.
- Thoroughly hand-wash all removeable parts with warm, soapy water prior to use. **DO NOT** soak. This product is **NOT DISHWASHER SAFE**.
- The appliance is designed exclusively for domestic use and not for commercial purposes.
- Use the appliance with the supplied accessories only. **WARNING:** The use of attachments not recommended or sold by the manufacturer may cause injury, damage to personal property.
- **WARNING: DO NOT** use while under the influence of alcohol or drugs (prescription or non-prescription) as these may impair user's ability to properly assemble or safely operate the appliance.
- Use appliance with appropriately sized food. **DO NOT** attempt to process foods other than potatoes or other firm vegetables and fruits that have pits removed.



SAVE THESE WARNINGS

PRODUCT INFORMATION



PACKAGE INCLUDES:

1 x Potato Slicer

4 x Interchangeable Blades

4 x Push Blocks

2 x Pins



ASSEMBLY

STEP 1: Take out the handle (used to guide the push block) and position it.

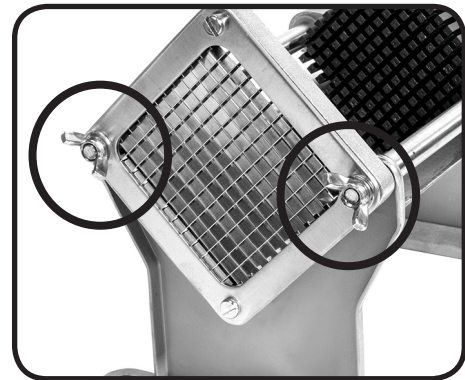


STEP 2: Lock the handle to the machine with two pins, one at the yoke and the other at the bracket.



STEP 3: Test the handle and make sure it can smoothly guide the push block.

STEP 4: To change the blade, unscrew the wing nut and take out the original blade, then replace it with the desired attachment.



STEP 5: To change the push block, gently push out the original push block, then replace it with the desired push block.



DISCLAIMER

PLEASE READ THE FOLLOWING CAREFULLY

THE MANUFACTURER AND/OR DISTRIBUTOR HAS PROVIDED THE PARTS LIST AND ASSEMBLY DIAGRAM IN THIS MANUAL AS A REFERENCE TOOL ONLY. NEITHER THE MANUFACTURER OR DISTRIBUTOR MAKES ANY REPRESENTATION OR WARRANTY OF ANY KIND TO THE BUYER THAT HE OR SHE IS QUALIFIED TO MAKE ANY REPAIRS TO THE PRODUCT, OR THAT HE OR SHE IS QUALIFIED TO REPLACE ANY PARTS OF THE PRODUCT. IN FACT, THE MANUFACTURER AND/OR DISTRIBUTOR EXPRESSLY STATES THAT ALL REPAIRS AND PARTS REPLACEMENTS SHOULD BE UNDERTAKEN BY CERTIFIED AND LICENSED TECHNICIANS, AND NOT BY THE BUYER. THE BUYER ASSUMES ALL RISK AND LIABILITY ARISING OUT OF HIS OR HER REPAIRS TO THE ORIGINAL PRODUCT OR REPLACEMENT PARTS THERETO, OR ARISING OUT OF HIS OR HER INSTALLATION OF REPLACEMENT PARTS THERETO.

Record Product's Serial Number Here: _____

Note: If product has no serial number, record month and year of purchase instead.

Note: Some parts are listed and shown for illustration purposes only and are not available individually as replacement parts.



SAVE THESE INSTRUCTIONS.

Questions, problems, missing parts?



Before returning to your retailer, our exceptional customer service is here to help.

Call Us: 909.628.0880

Email Us: customer@bartonliving.com

Hours of Operation: 9am - 4pm (Monday - Friday)

PRODUCT MADE IN CHINA