



10X13 GAZEBO

ITEM: 96139



OWNER'S MANUAL AND SAFETY INSTRUCTIONS

SAVE THIS MANUAL: KEEP THIS MANUAL FOR SAFETY WARNINGS, PRECAUTIONS, ASSEMBLY, OPERATING, INSPECTION, MAINTENANCE AND CLEANING PROCEDURES. WRITE THE PRODUCT'S SERIAL NUMBER ON THE BACK OF THE MANUAL NEAR THE ASSEMBLY DIAGRAM (OR MONTH AND YEAR OF PURCHASE IF PRODUCT HAS NO NUMBER)

FOR QUESTIONS PLEASE CALL OUR CUSTOMER SUPPORT: 909.628.0880 MON-FRI 9AM TO 3PM PST



GENERAL SAFETY WARNINGS

Please read and follow all safety statements, warnings, assembly instructions, use & care directions before attempting to assemble the Gazebo.

- When installing and assembling your gazebo, it is recommended that 2 or more adults are involved in the setup.
- **DO NOT** use the unit during an electrical storm, as there is a remote chance of getting struck by lightning.
- **DO NOT** climb on top of the gazebo. Falling off the gazebo can result in serious injury, possibly even death.
- **DO NOT** leave the gazebo assembled when there is a risk of high wind or snow, as possible damage will occur to the structure. In heavy rain or extremely windy conditions, carefully remove the product, fold and secure it and put in a safe place out of the elements.
- This package contains small items and plastic bags that should be kept away from children.
- Ensure that all connectors & poles are firmly secured in position fully. It is important to do so before use so as to avoid collapsing or damage to the item, which could result in injury.
- **WARNING:** Keep flame and heat sources away from the gazebo fabric. The fabric may burn if it is exposed to prolonged contact with a source of heat. **NEVER** barbecue under this gazebo or use lanterns that contain naked flames.
- **DO NOT** clean fabrics using organic solvents; do not spot clean stains - this type of fabric is not suitable for cleaning. Do not use chlorine bleach, do not dry clean.
- Avoid heavy soiling of material. Soiled coated fabrics should be cleaned by hand washing. Squeeze gently, do not rub, do not wring. Maximum wash temperature: 95 ° F. Use detergents for delicate fabrics. Dry in vertical position at ambient temperature. If the fabric unexpectedly gets wet, dry it immediately in order to avoid premature ageing of the product.
- Before assembling the gazebo, check that the gazebo is not damaged (bent metals elements, torn fabric). In case of damages do not use the product. Contact Barton Customer Service if there are any missing or damaged parts. Failure to comply with these guidelines will/can lead to further damage and possible personal or property damage.
- When not in use, fold the gazebo fabric and clean the poles and store it in a clean, dry place out of the reach of children.



SAVE THESE WARNINGS

PARTS LIST

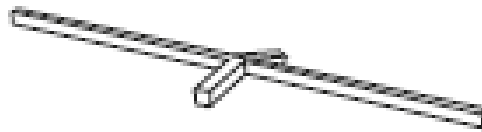


BOX 1/2

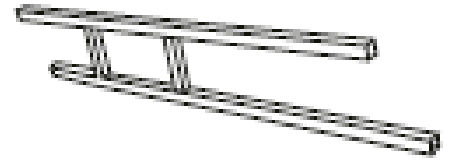
A x4Pcs



F x1Pc



G x4Pcs



M x1Pc



L x1Pc



N x4Pcs



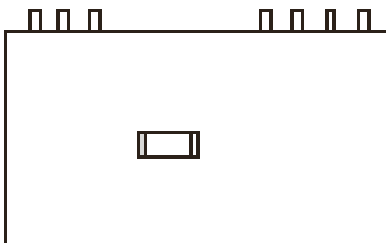
O x4Pcs



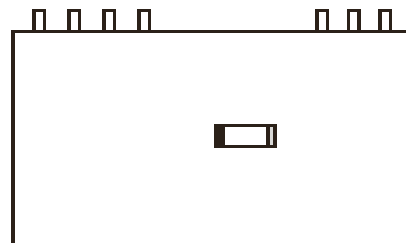
P x4Pcs



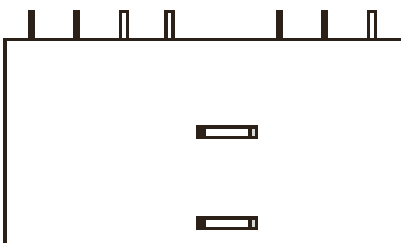
U x2Pcs



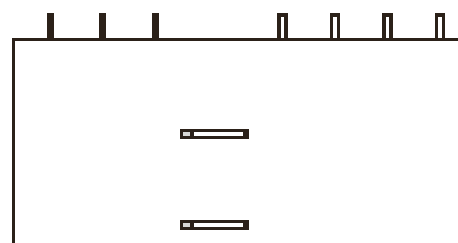
V x2Pcs



W x2Pcs



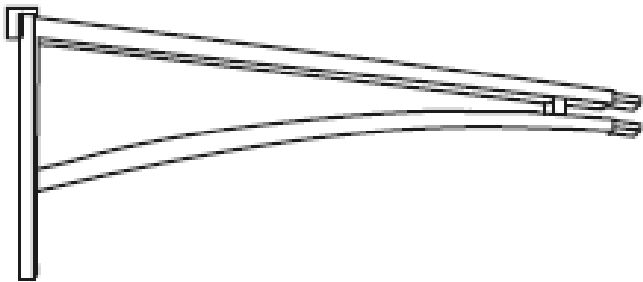
X x2Pcs



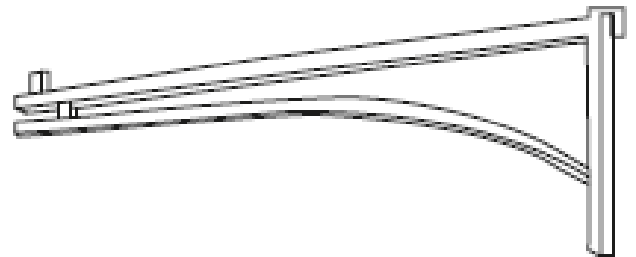


BOX 2/2

C x2Pcs



B x2Pcs



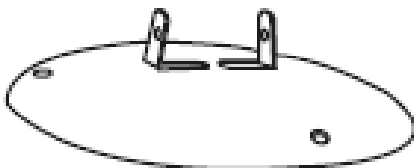
E x2Pcs



D x2Pcs



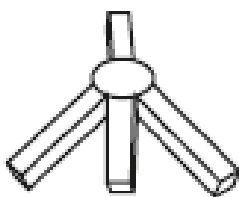
I x4Pcs



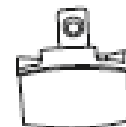
H x4Pcs



J x2Pcs

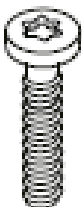


K x4Pcs



HARDWARE IN BLISTER

1



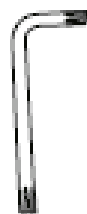
24Pcs

2



24Pcs

3



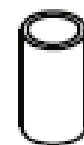
2Pcs

4



12Pcs

5



12Pcs

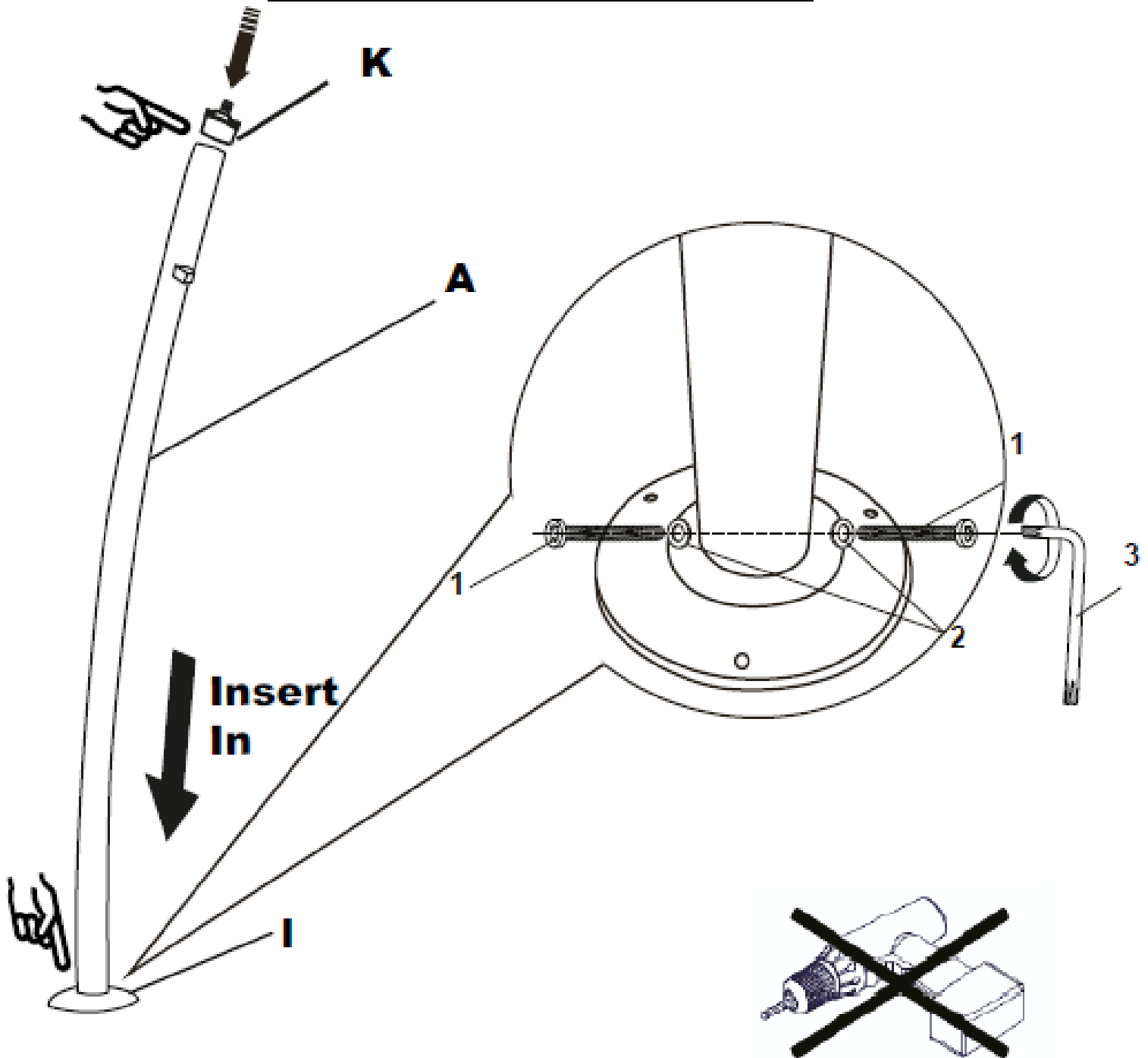
6



12Pcs

STEP 1 Strut Legs Assembly

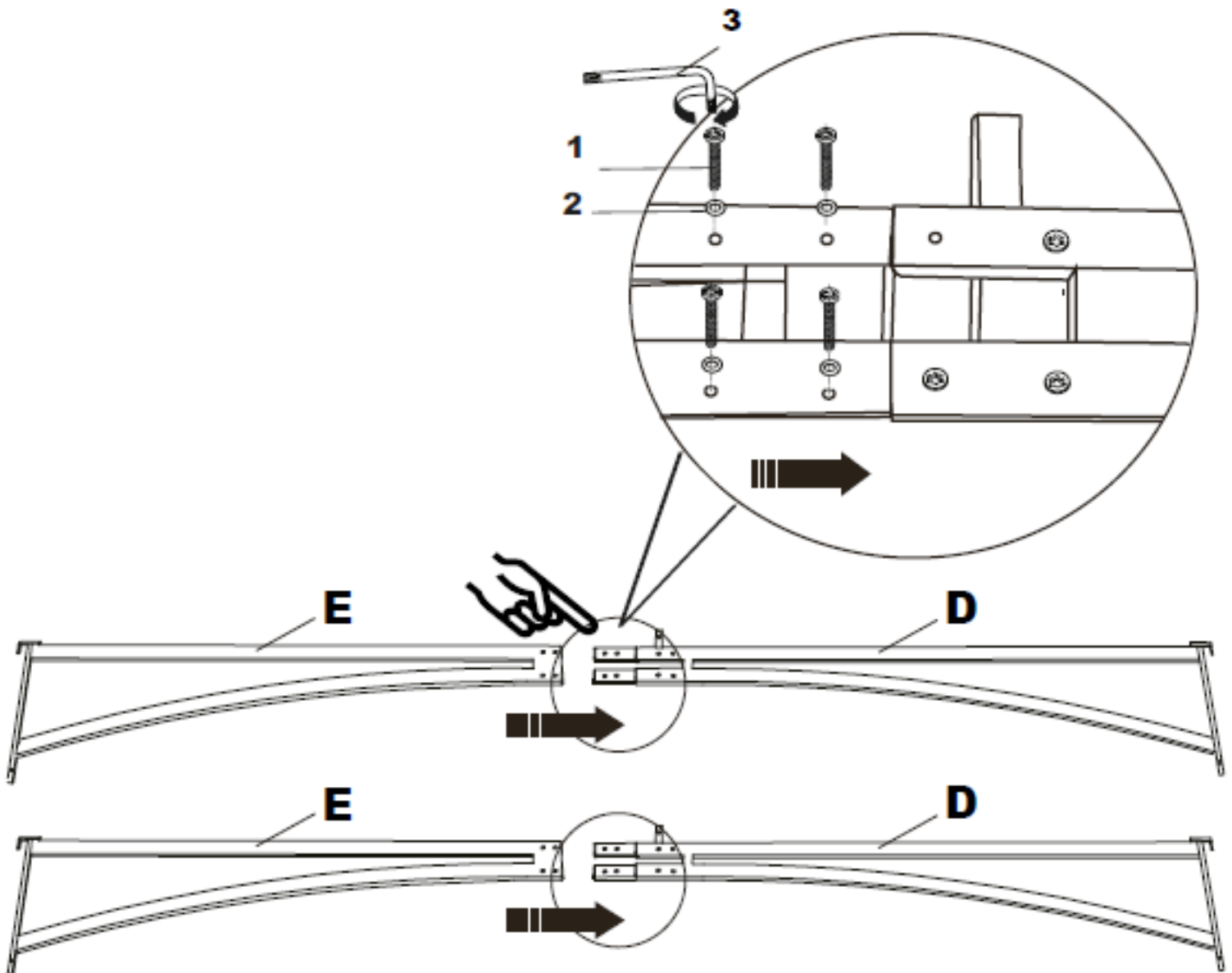
Using Parts NO.: A, K, I
Hardware NO.: 1, 2, 3



Install All The 4 Legs As Instructed

STEP 2.1 Cross Bar Connection

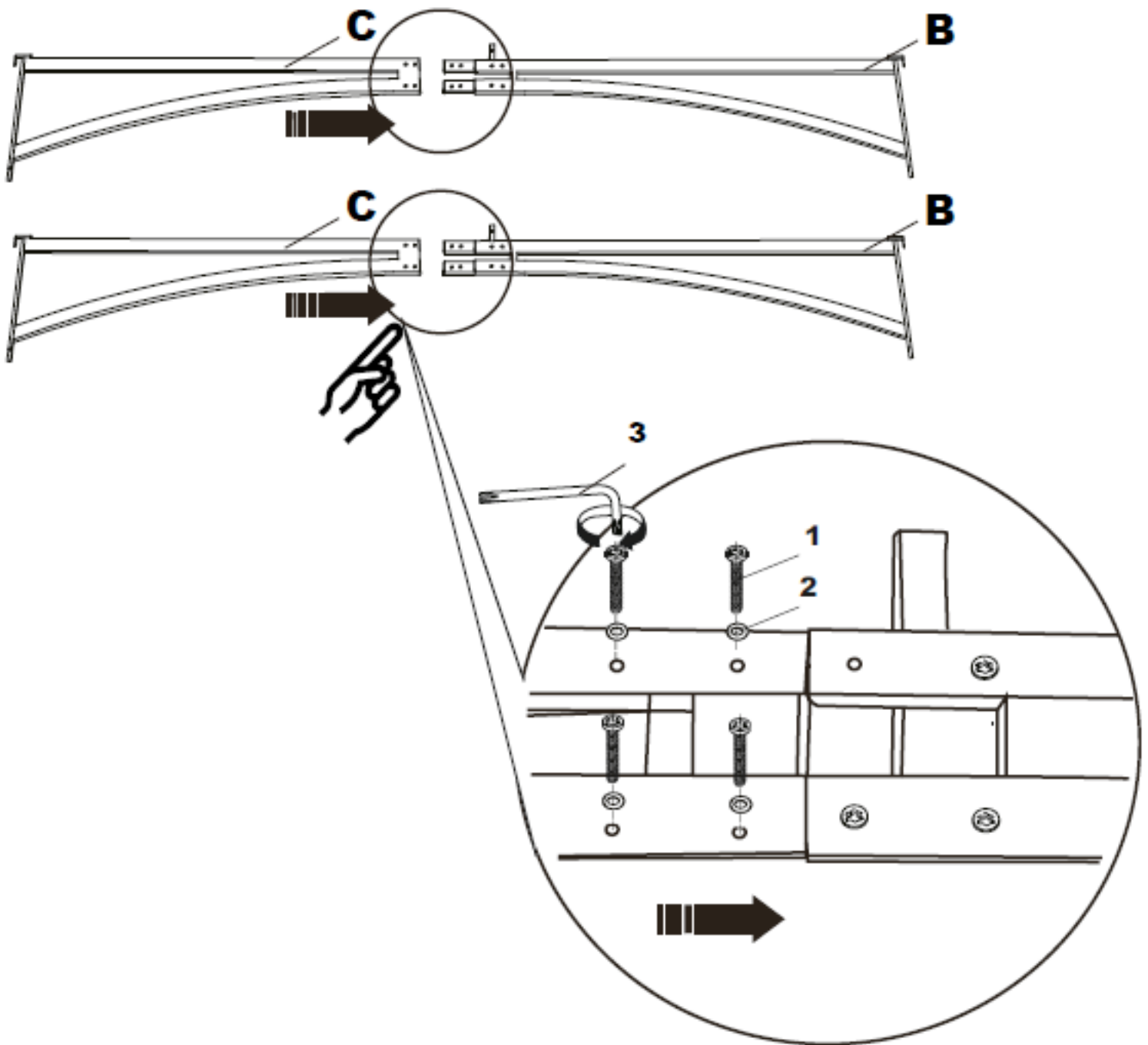
Using Parts NO.: D, E
Hardware NO.: 1, 2, 3



Alignment Hole Location And Locking

STEP 2.2 Cross Bar Connection

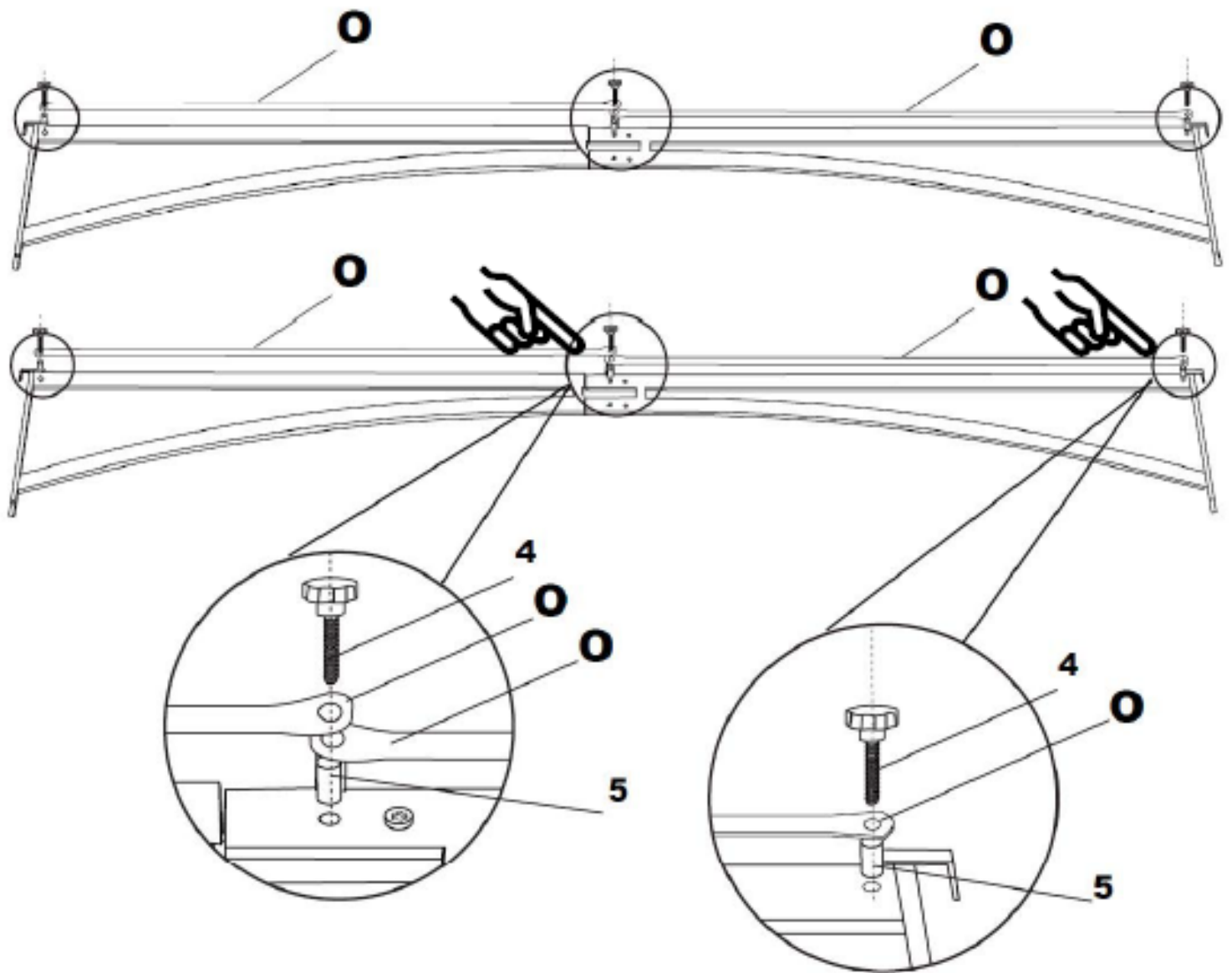
Using Parts NO.: B, C
Hardware No.: 1, 2, 3



Alignment Hole Location And Locking

STEP 2.3 Cross Bar Connection

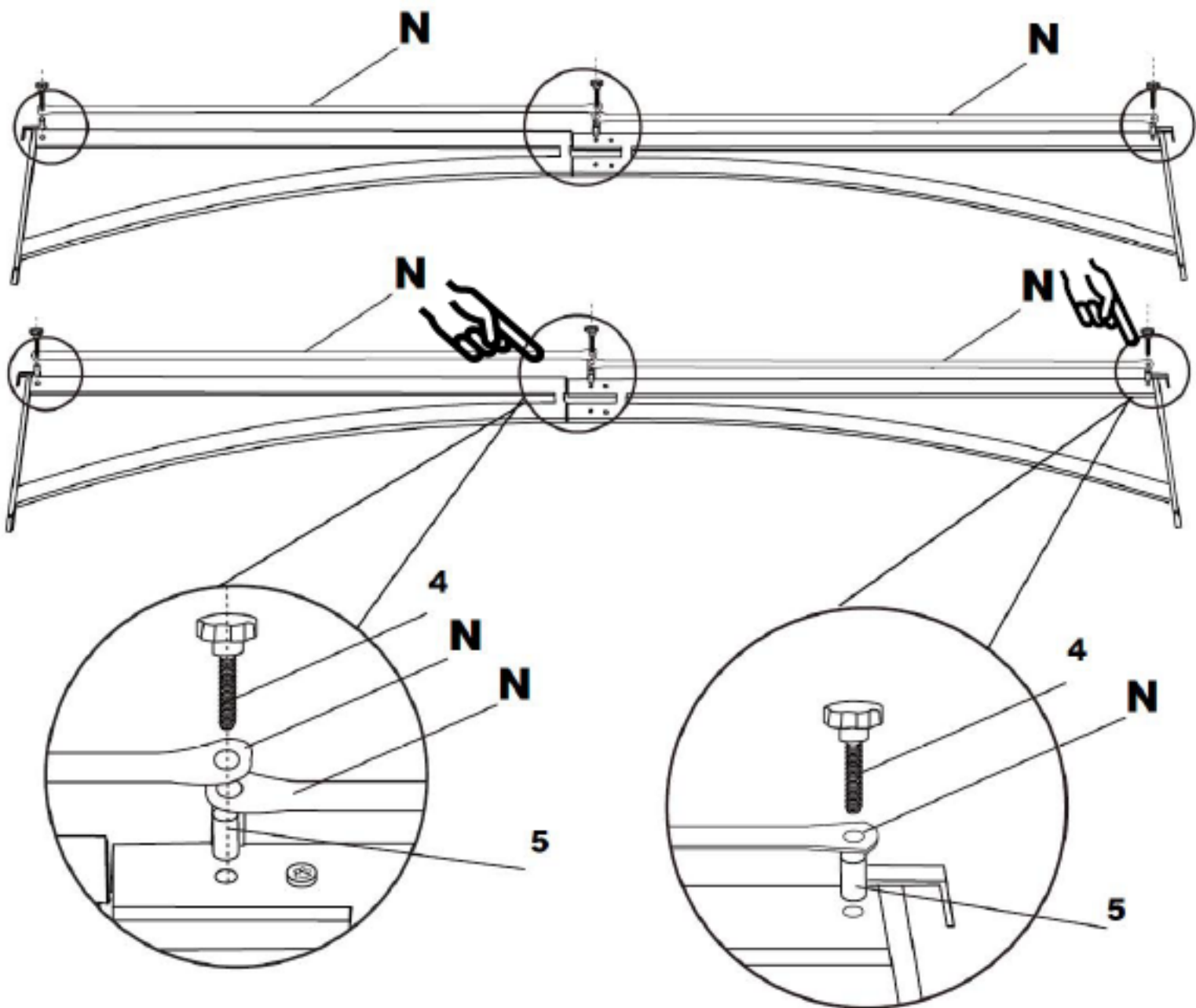
Using Parts NO.: STEP 2.1, 0
Hardware NO.: 4, 5



Alignment Hole Location And Locking

STEP 2.4 Cross Bar Connection

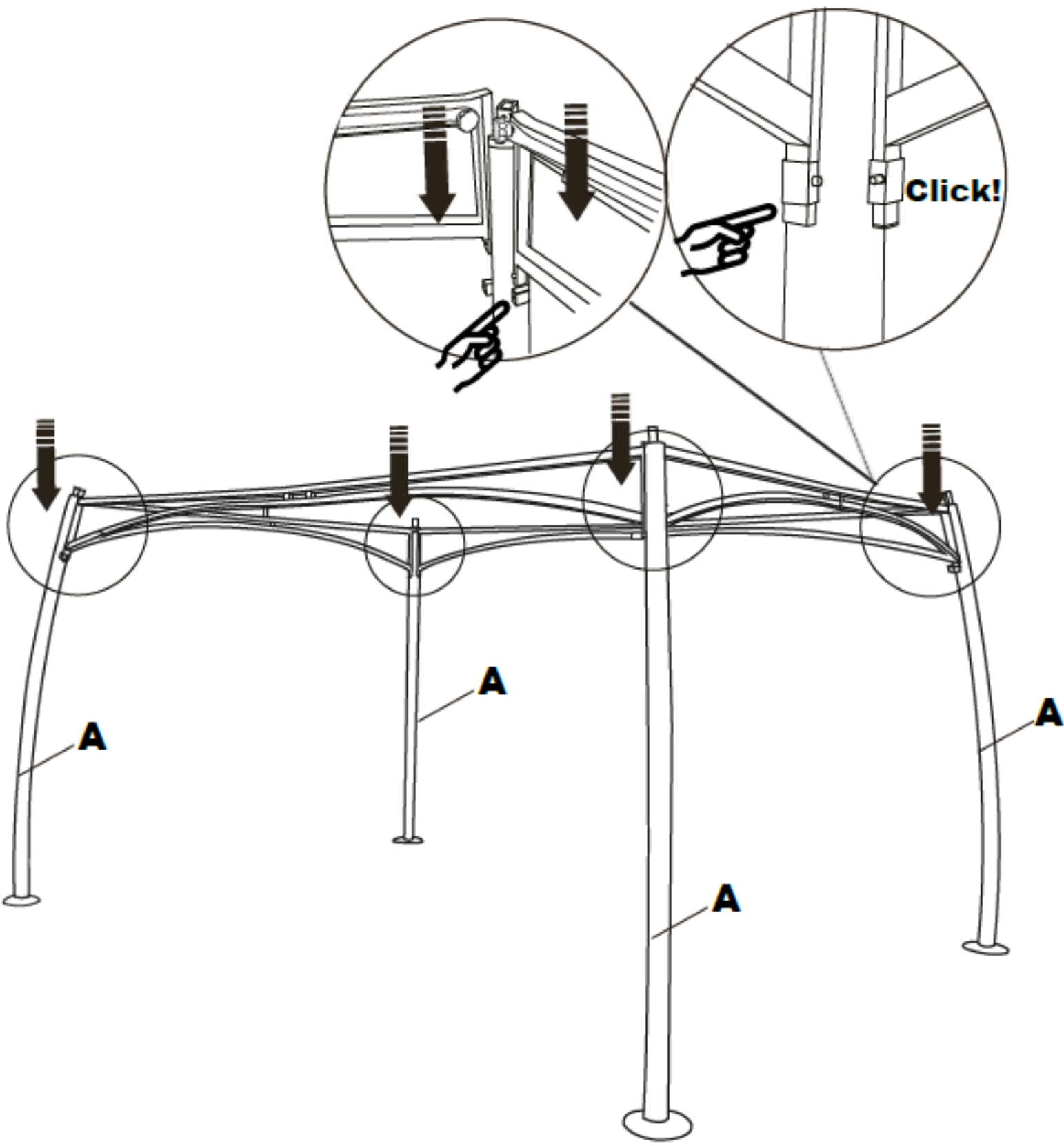
Using Parts NO.: STEP 2.2, N
Hardware NO.: 4, 5



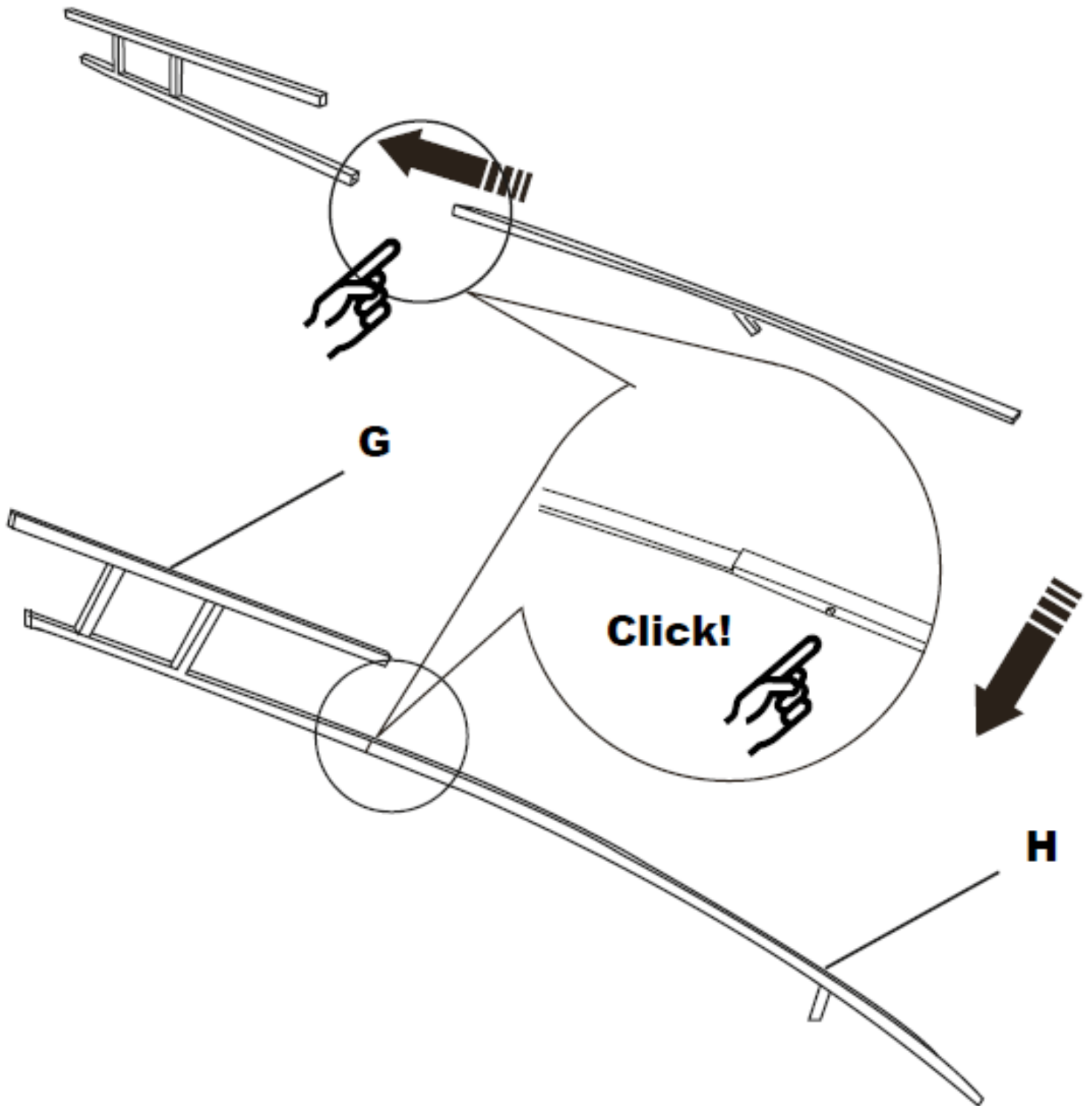
Alignment Hole Location And Locking

STEP 3 Cross Bar Installation

Using Parts NO.: STEP 1, STEP 2.3,
STEP 2.4



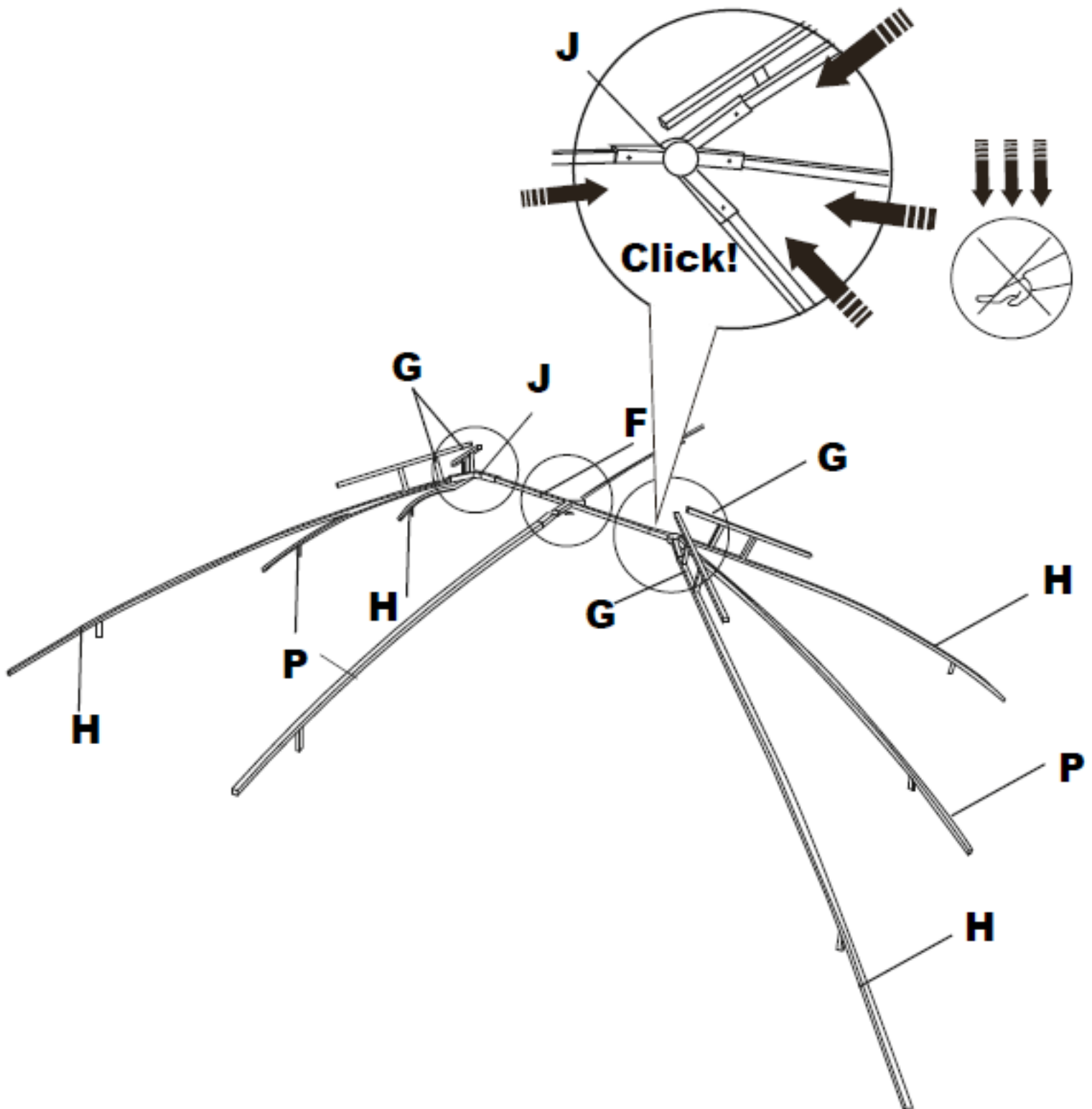
STEP 4.1 Top Bracket Installation
Using Parts NO.: G, H



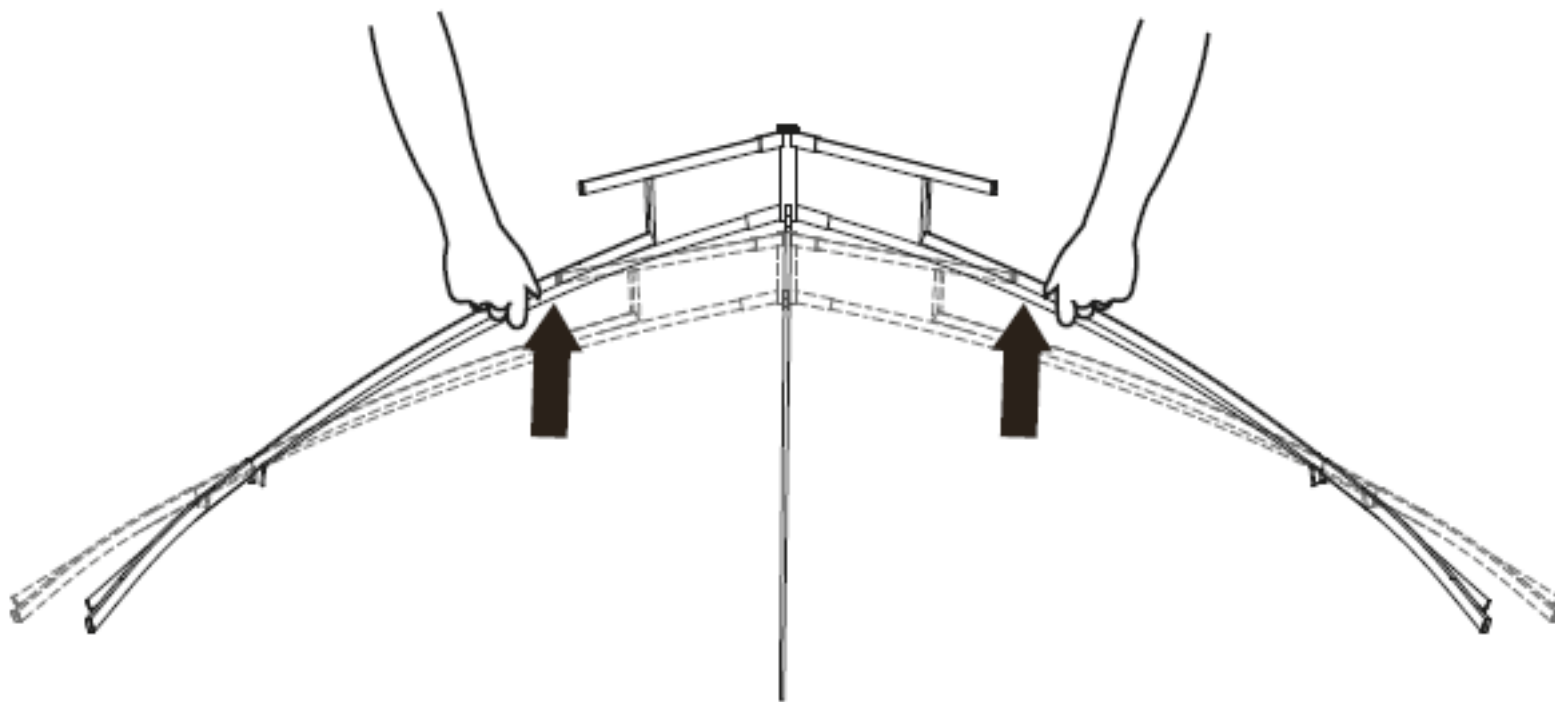
Repeat 4 Times To Finish

STEP 4.2 Top Bracket Installation

Using Parts NO.: STEP 4.1, P, F, J



STEP 5.1 Top Small Fabric Installation
Using Parts NO.: STEP 4.2



**One person hold the top brackets
as above**

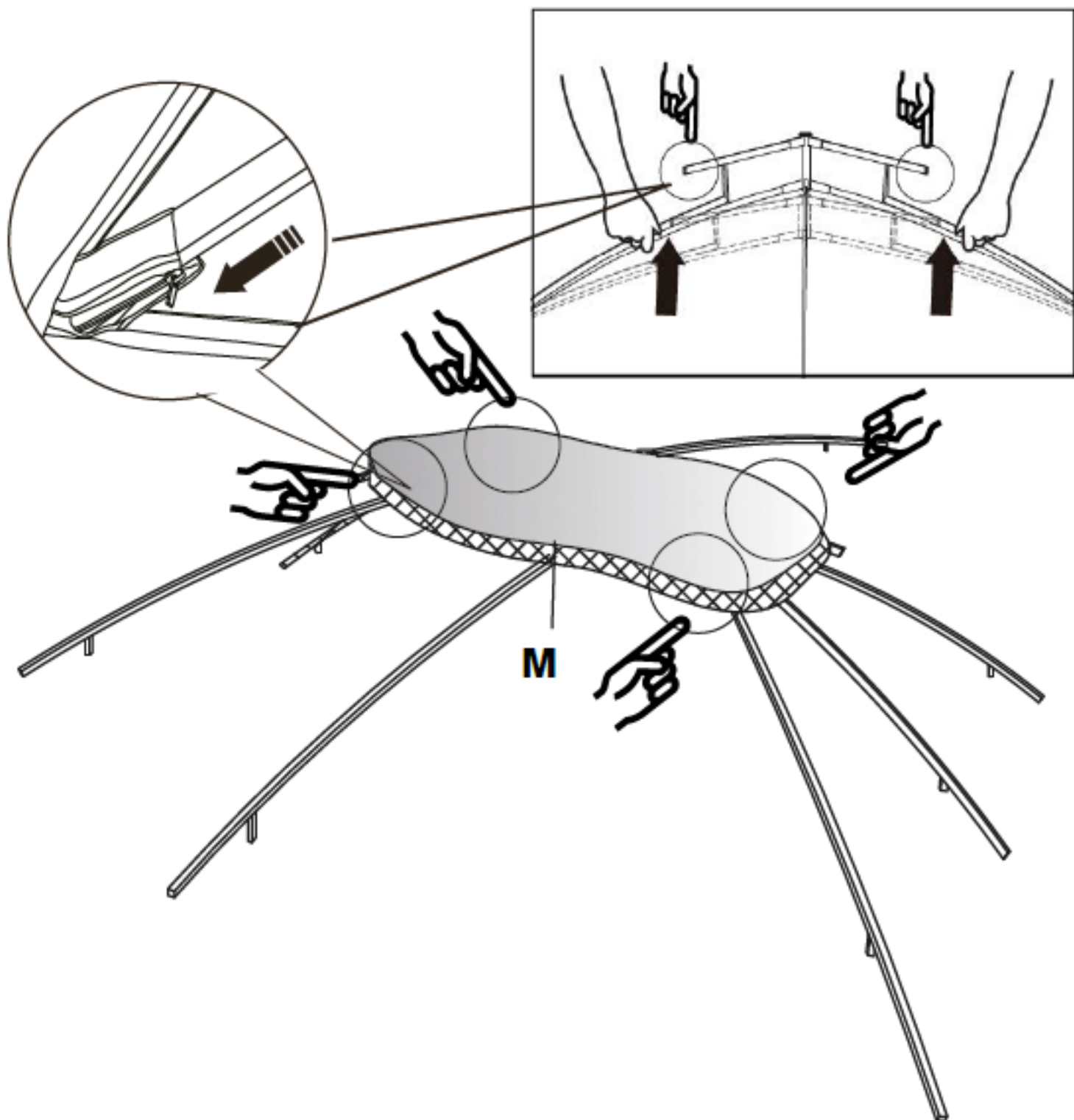


Attention:
Hold the adjacent brackets!!!
Don't be too hard!!!



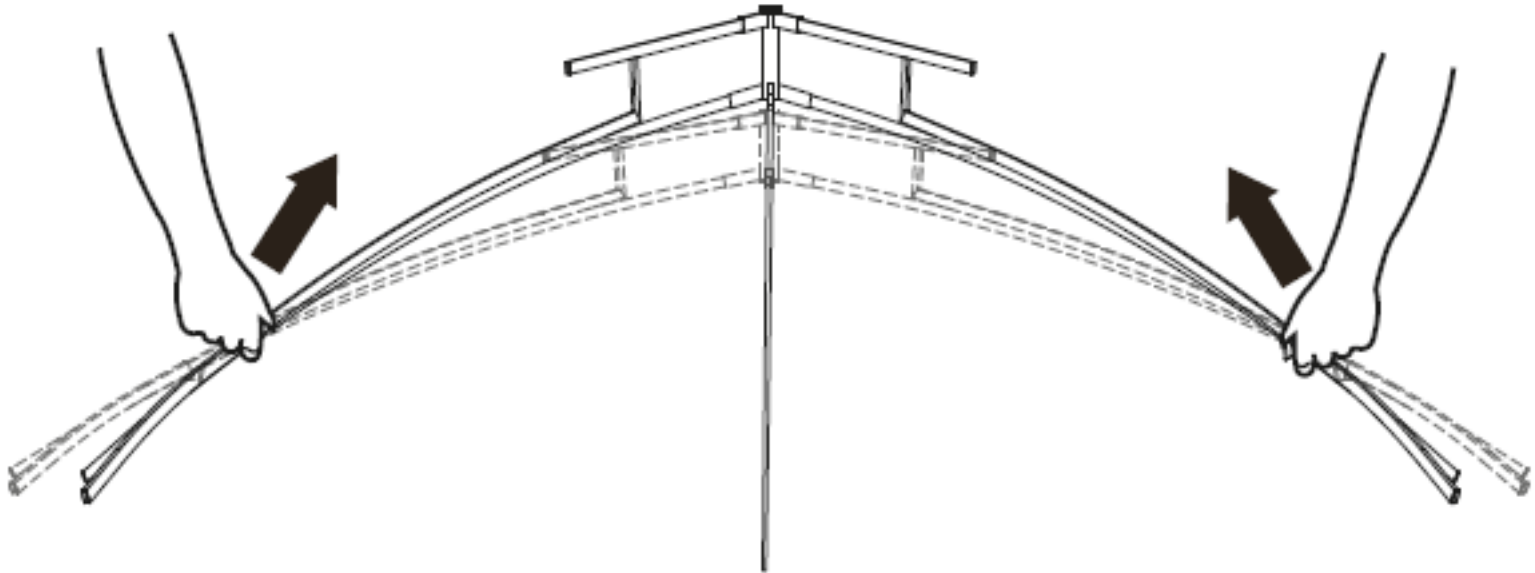
Then

STEP 5.1 Top Small Fabric Installation
Using Parts NO.: STEP 4.2, M



Let The Circled End Insert Into The Sockets Which Located On The Back Of Small Fabric, Then Zip Up

STEP 5.2 Top Big Fabric Installation
Using Parts NO.: STEP 5.1



**One person hold the top brackets
as above**

Attention:

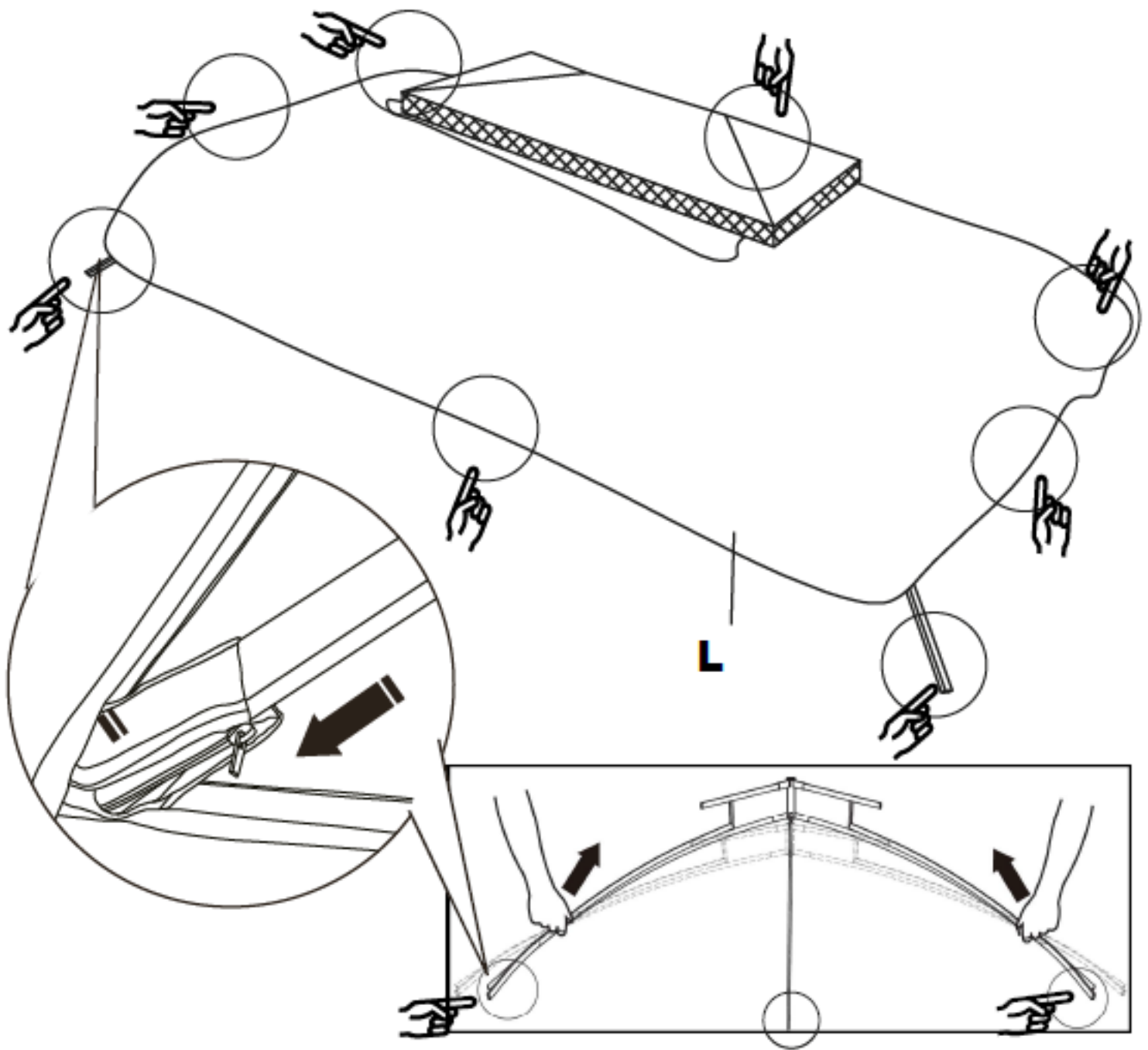
**Hold the adjacent brackets!!!
Don't be too hard!!!**



Then

STEP 5.2 Top Big Fabric Installation

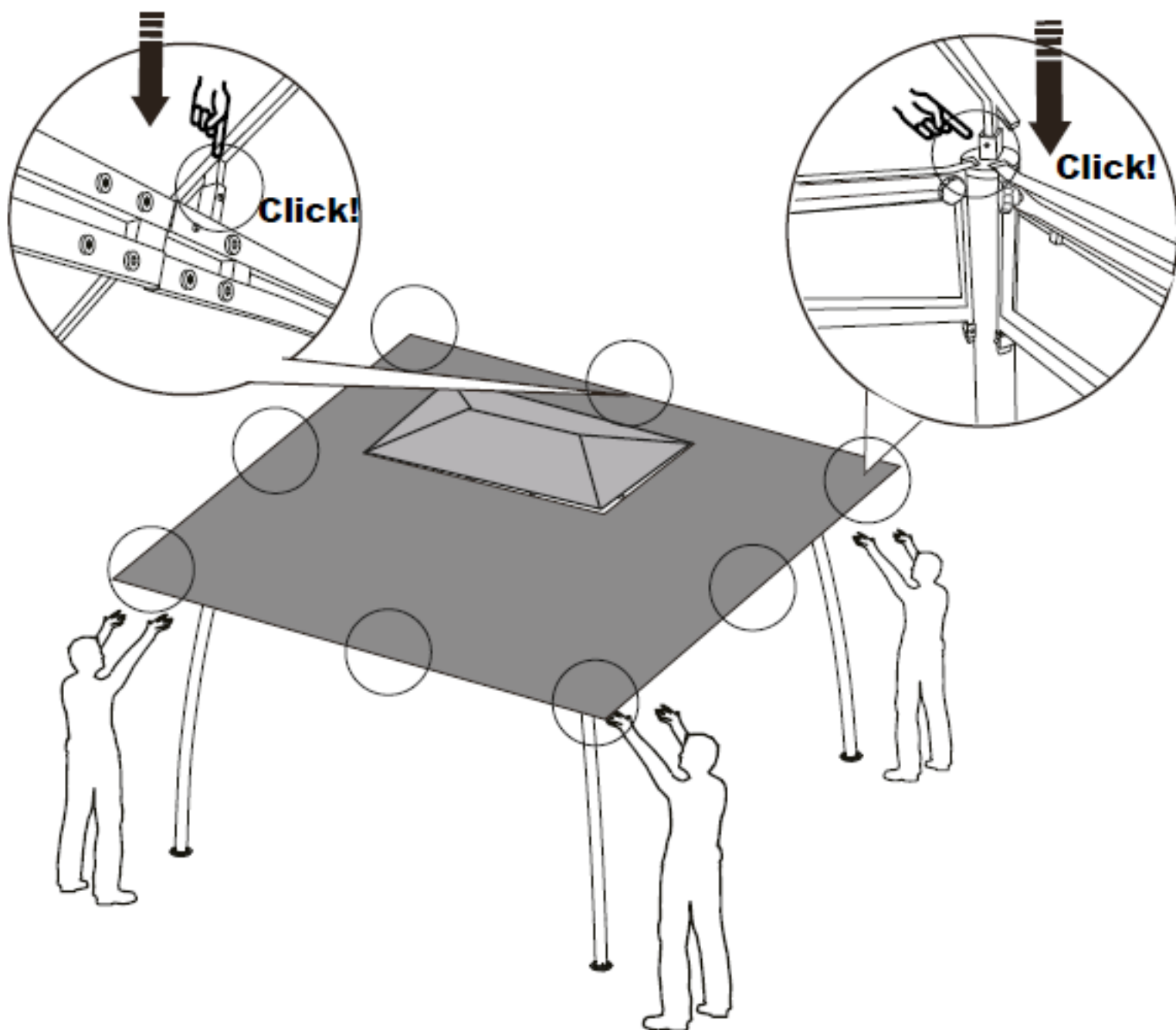
Using Parts NO.: STEP 5.1, L



**Put The Big Fabric On the Bracket
, Let The Circled End Insert The
Sockets Which Located On The Back
Of Big Fabric, Then Zip Up**

STEP 6 Top Brackets, Cross Bar And Strut Legs Connection

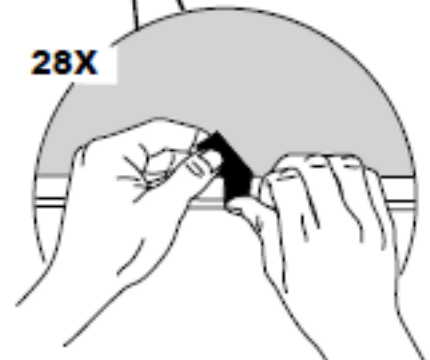
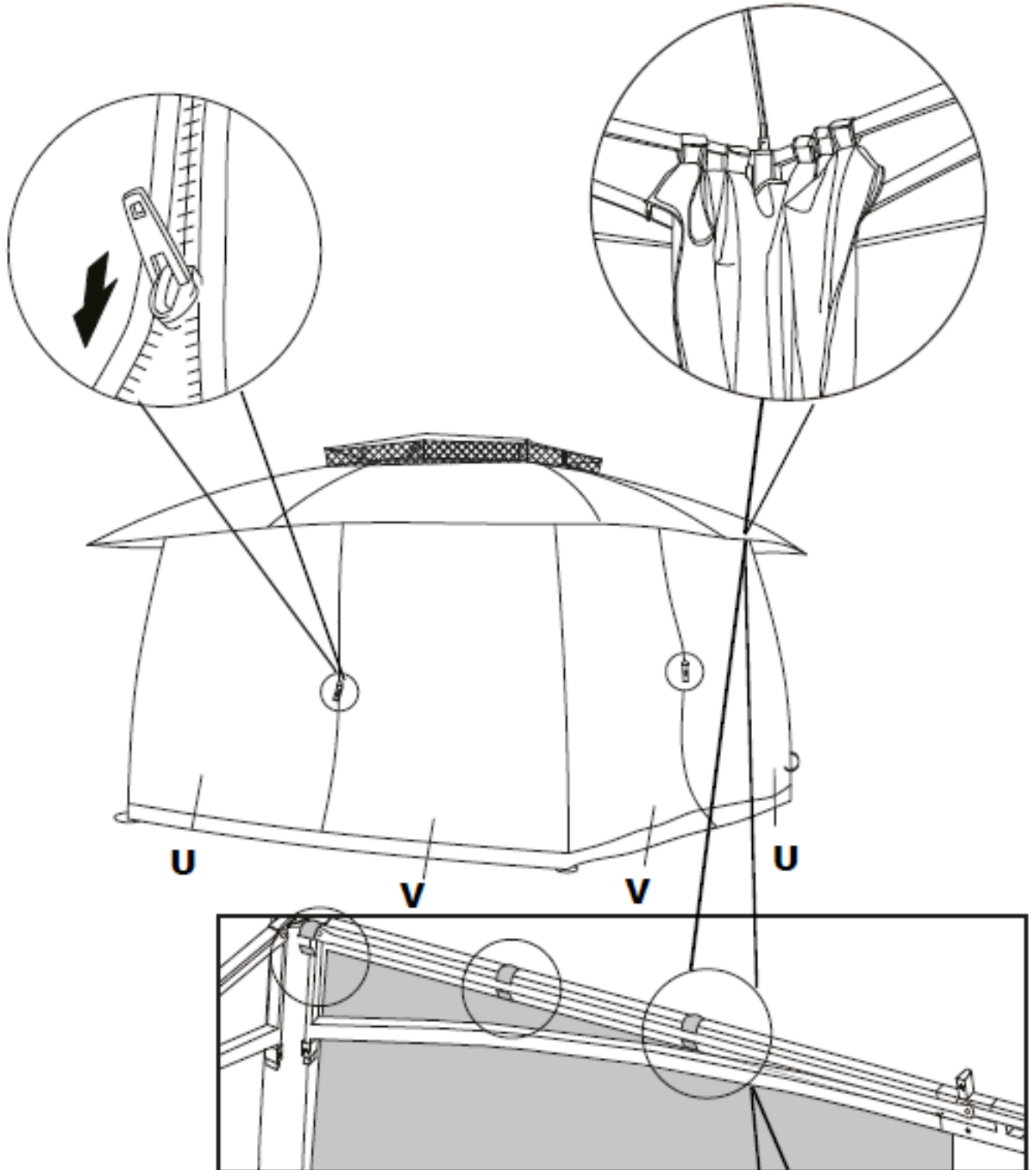
Using Parts No.: STEP 3, STEP 5.2



Make All The Circled Connected

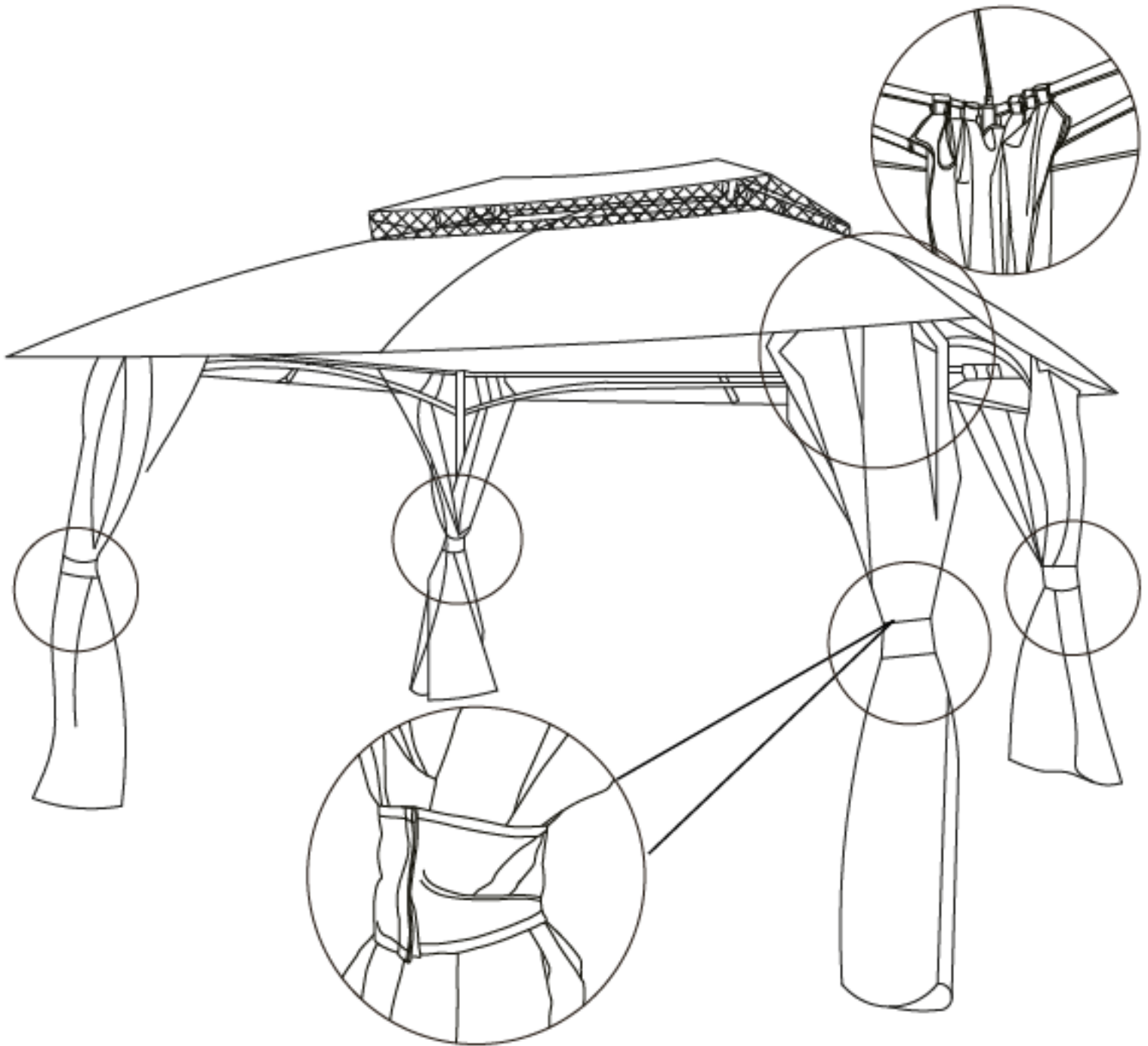
STEP 7 Side Fabric Installation

Using Parts NO.: STEP 6, U, V



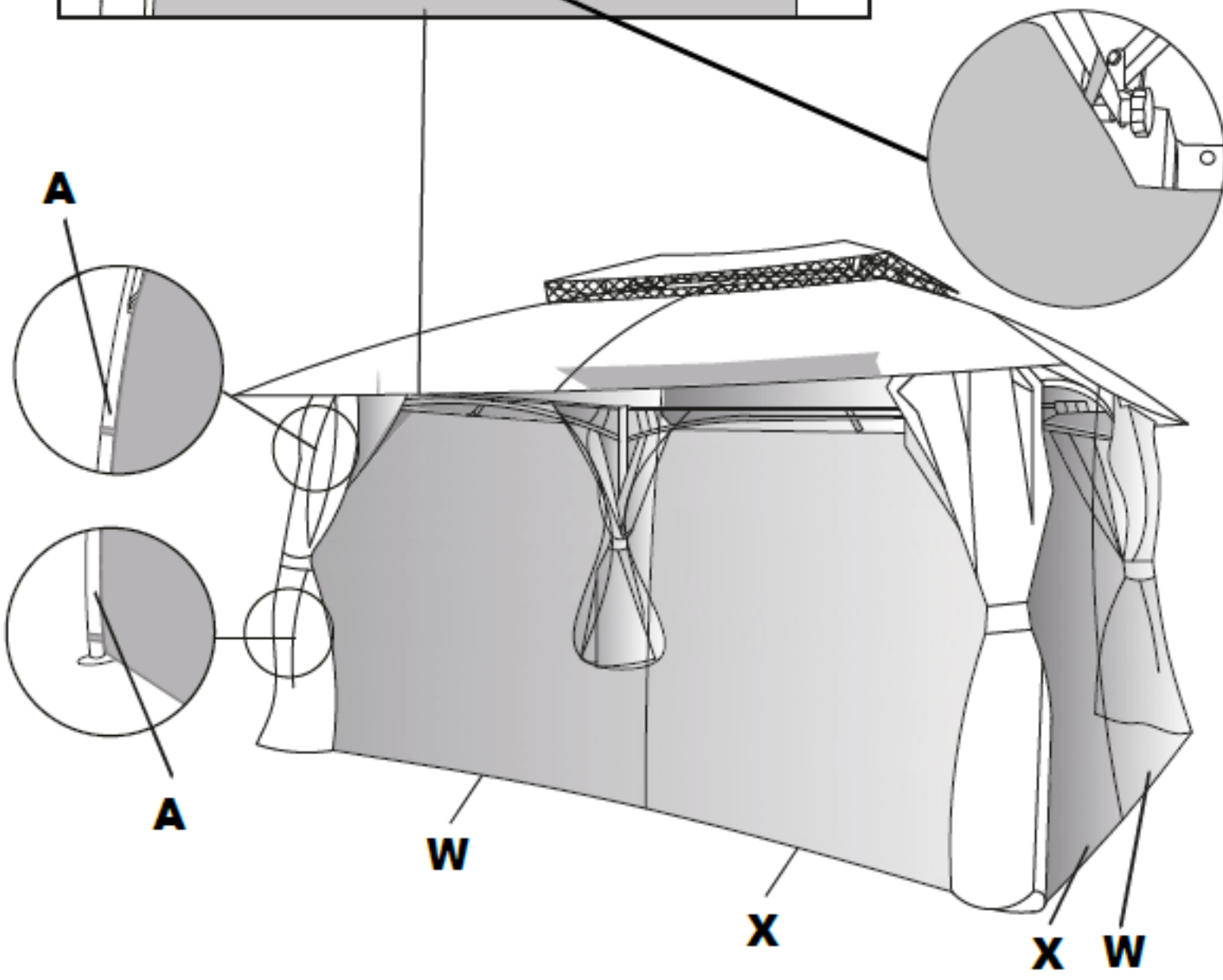
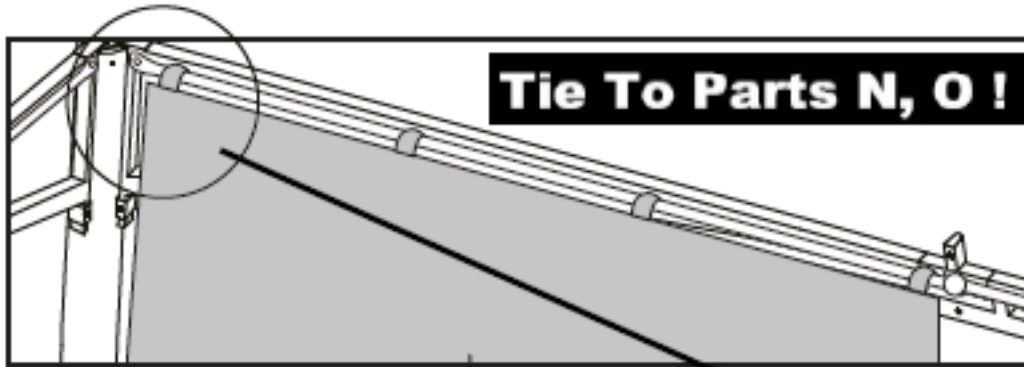
Attention:
Don't Tie It To The Parts N, O

STEP 8 Mosquito Netting Installation
Using Parts NO.: STEP 7

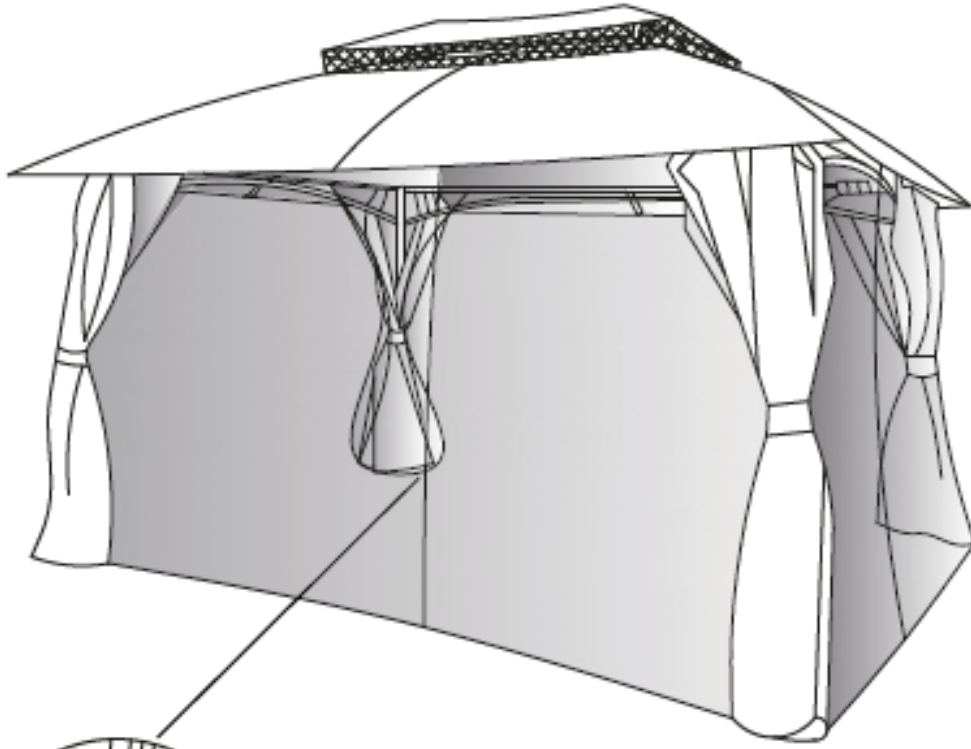


Fold The Side Fabric Up Like Above

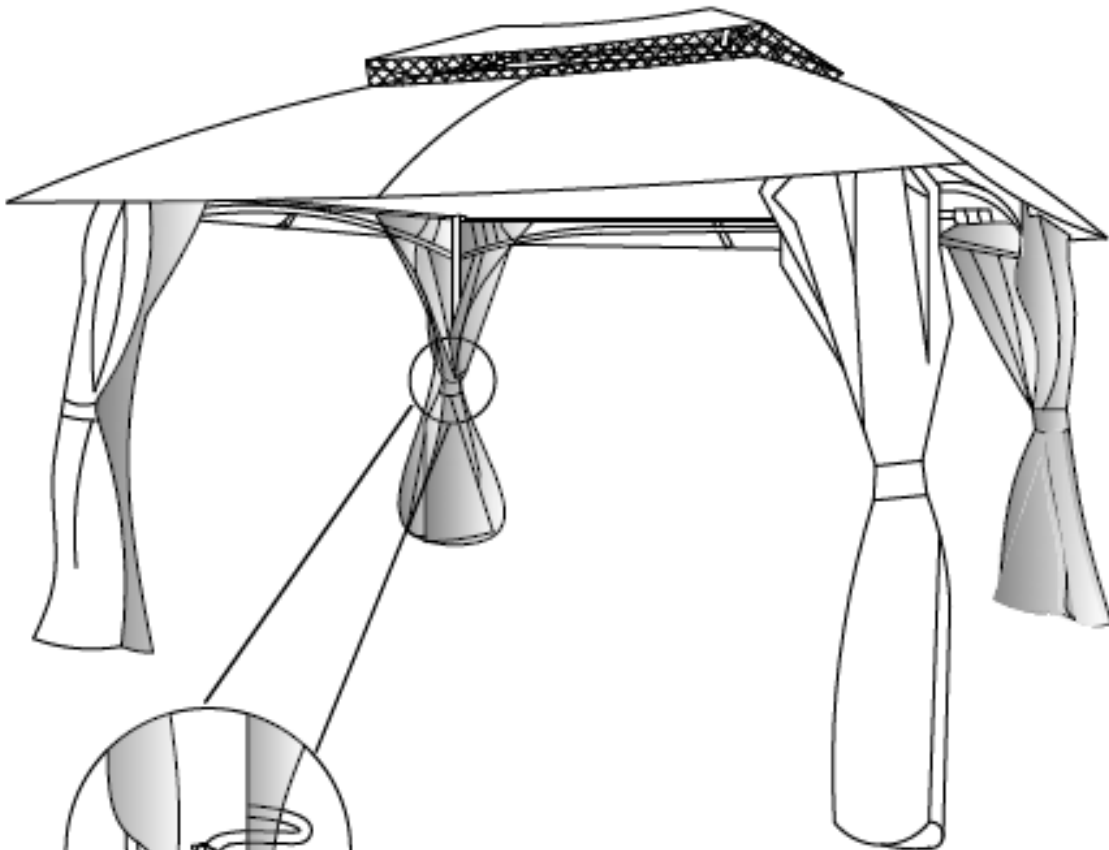
STEP 8 Mosquito Netting Installation Using Parts NO.: STEP 7, W, X



Fasten All The Velcro



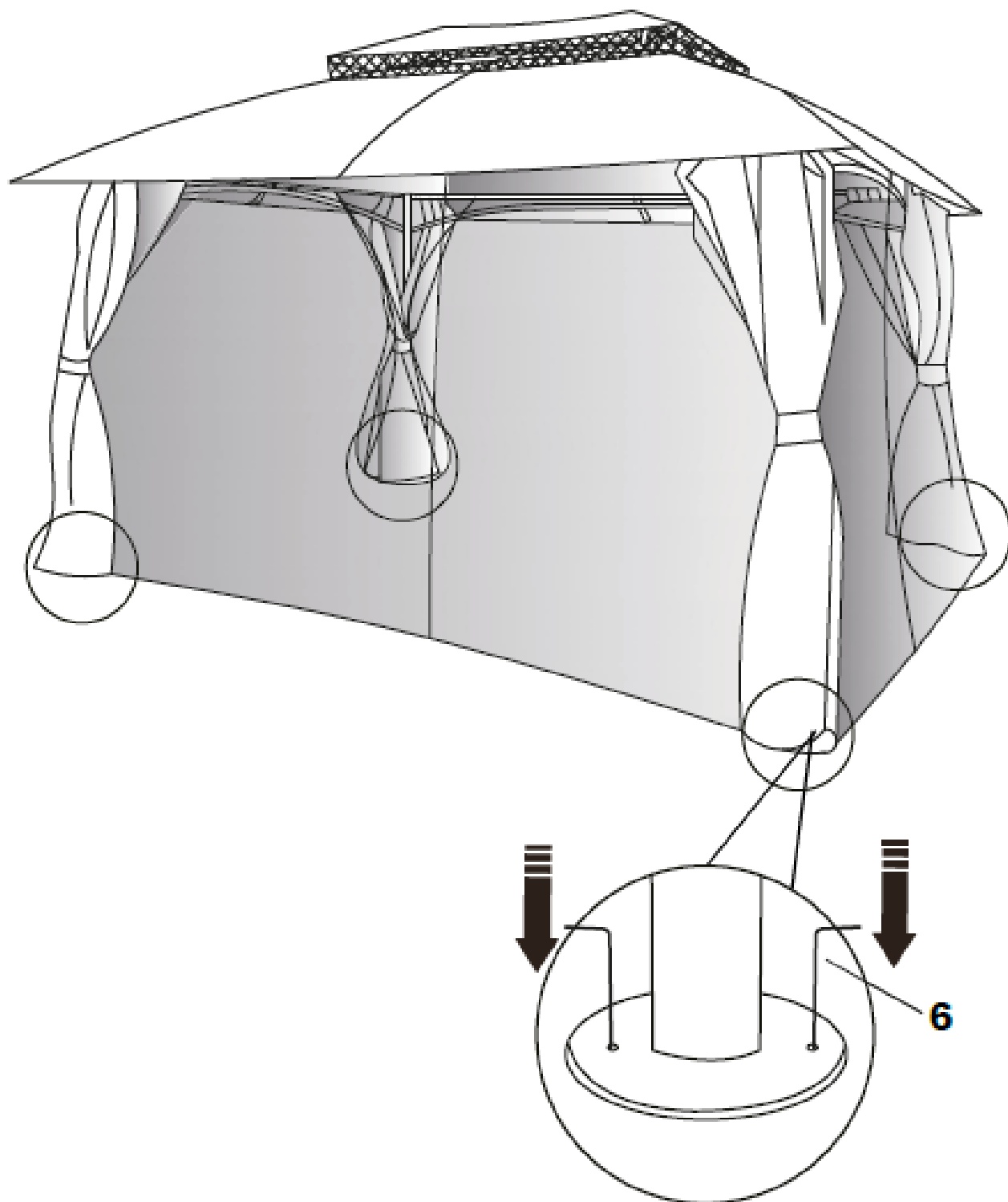
**Zip The Mosquito Netting Up
To Keep Insects Out**



**Fasten The Mosquito Netting
With Side Fabric On Leg A**

STEP 9 Fix The Gazebo

Using Parts NO.: STEP 8, 6



Use Parts 6 To Fix the Gazebo On The Lawn

PLEASE READ THE FOLLOWING CAREFULLY

THE MANUFACTURER AND/OR DISTRIBUTOR HAS PROVIDED THE PARTS LIST AND ASSEMBLY DIAGRAM IN THIS MANUAL AS A REFERENCE TOOL ONLY. NEITHER THE MANUFACTURER OR DISTRIBUTOR MAKES ANY REPRESENTATION OR WARRANTY OF ANY KIND TO THE BUYER THAT HE OR SHE IS QUALIFIED TO MAKE ANY REPAIRS TO THE PRODUCT, OR THAT HE OR SHE IS QUALIFIED TO REPLACE ANY PARTS OF THE PRODUCT. IN FACT, THE MANUFACTURER AND/OR DISTRIBUTOR EXPRESSLY STATES THAT ALL REPAIRS AND PARTS REPLACEMENTS SHOULD BE UNDERTAKEN BY CERTIFIED AND LICENSED TECHNICIANS, AND NOT BY THE BUYER. THE BUYER ASSUMES ALL RISK AND LIABILITY ARISING OUT OF HIS OR HER REPAIRS TO THE ORIGINAL PRODUCT OR REPLACEMENT PARTS THERETO, OR ARISING OUT OF HIS OR HER INSTALLATION OF REPLACEMENT PARTS THERETO.

Record Product's Serial Number Here: _____

Note: If product has no serial number, record month and year of purchase instead.

Note: Some parts are listed and shown for illustration purposes only and are not available individually as replacement parts.



SAVE THESE INSTRUCTIONS

Questions, Problems or Missing Parts?

Before returning to a retailer, our exceptional customer service is available to help.

Call Us: 909.628.0880

Hours of Operation: 9 to 4pm PST, Monday - Friday

Email: customer@bartonliving.com



PRODUCT MADE IN CHINA