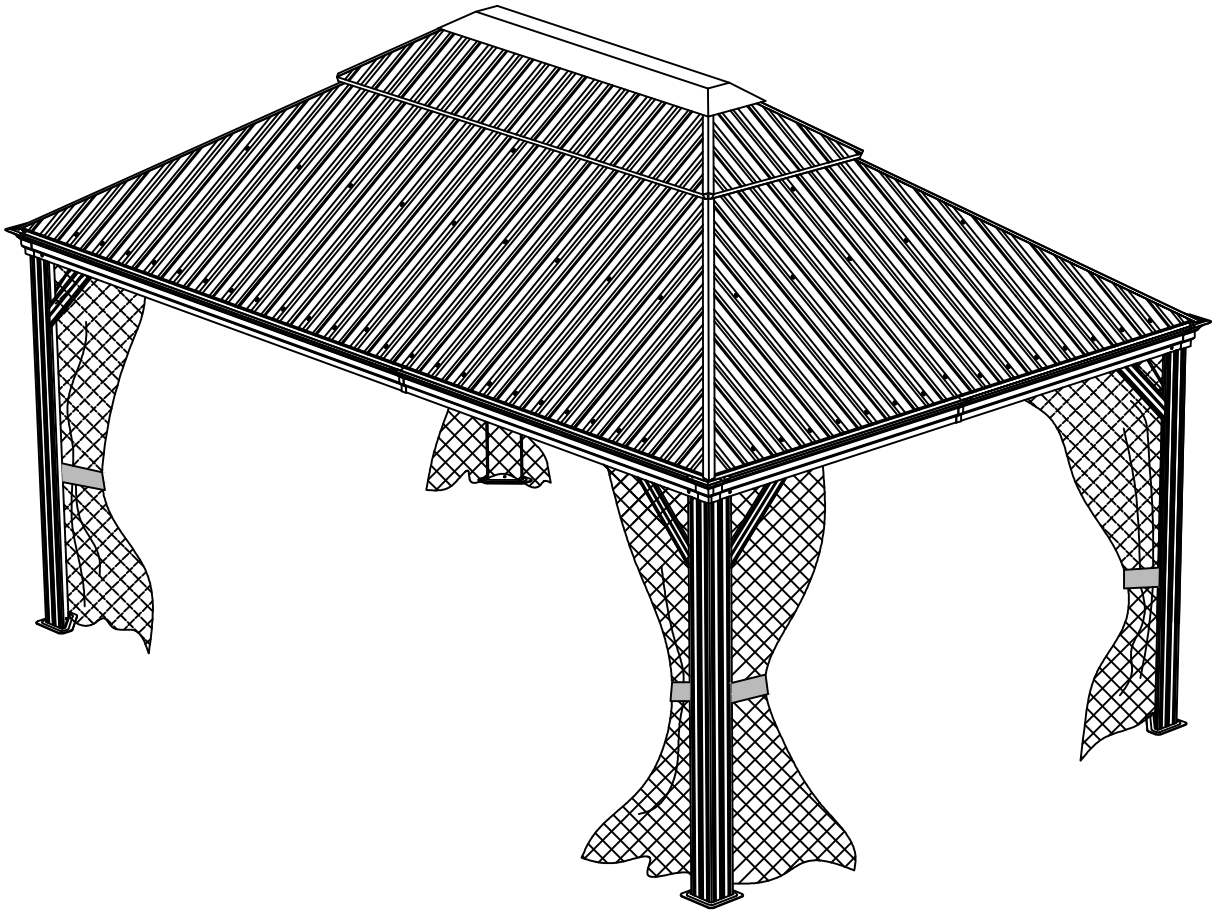




10x14 GAZEBO

ITEM: 96188



OWNER'S MANUAL AND SAFETY INSTRUCTIONS

SAVE THIS MANUAL: KEEP THIS MANUAL FOR SAFETY WARNINGS, PRECAUTIONS, ASSEMBLY, OPERATING, INSPECTION, MAINTENANCE AND CLEANING PROCEDURES. WRITE THE PRODUCT'S SERIAL NUMBER ON THE BACK OF THE MANUAL NEAR THE ASSEMBLY DIAGRAM (OR MONTH AND YEAR OF PURCHASE IF PRODUCT HAS NO NUMBER)

FOR QUESTIONS PLEASE CALL OUR CUSTOMER SUPPORT: 909.628.0880 MON-FRI 9AM TO 3PM PST

IMPORTANT SAFETY INFORMATION

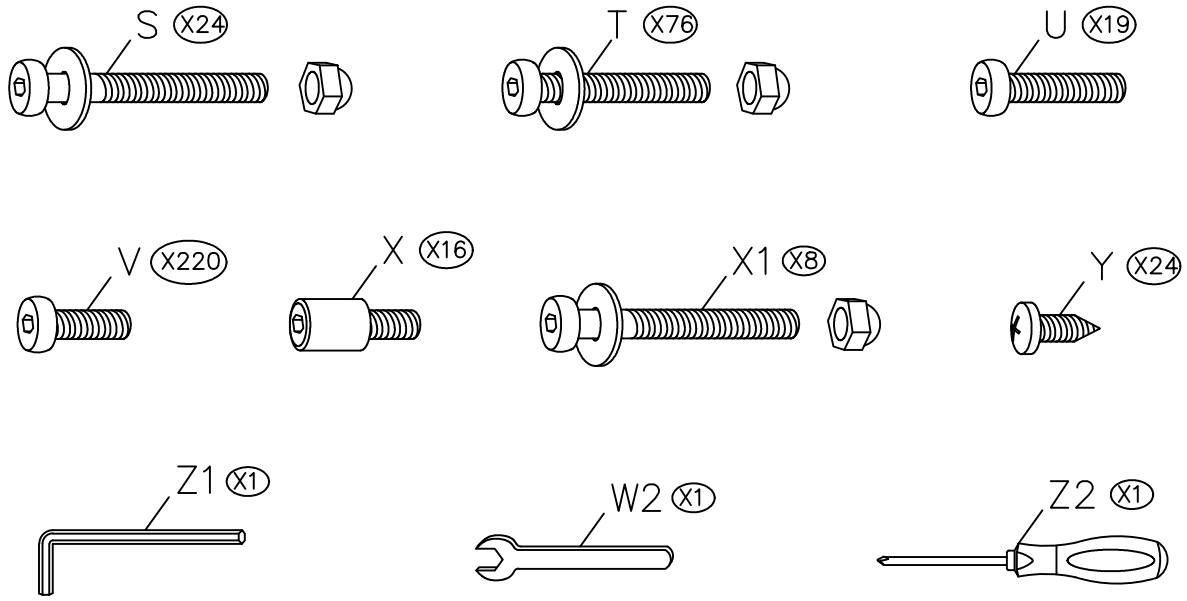
Please read and follow all safety statements, warnings, assembly instructions, use & care directions before attempting to assemble the Gazebo.

- When installing and assembling your gazebo, it is recommended that 2 or more adults are involved.
- **DO NOT** use the unit during an electrical storm, as there is a remote chance of getting struck by lightning.
- **DO NOT** climb on top of the gazebo. Falling off the gazebo can result in serious injury, possibly even death.
- **DO NOT** leave the gazebo assembled when there is a risk of high wind, as possible damage will occur to the structure.
- **NEVER** barbecue under this gazebo or use lanterns that contain naked flames.
- This package contains small items and plastic bags that should be kept away from children.
- Ensure that all connectors & poles are firmly secured in position fully. It is important to do so before use so as to avoid collapsing or damage to the item, which could result in injury.
- **WARNING:** Keep flame and heat sources away from the gazebo fabric. The fabric may burn if it is exposed to prolonged contact with a source of heat.
- It is the consumer's responsibility to comply with any building codes, ordinances, zoning limitations, or local homeowners restrictions and obtain any required permits.
- Two persons are required for assembly. The tools required are a screwdriver, stepladder and other safety items such as gloves, eyewear and hard hat. To avoid injury from exposed sharp edges, it may necessary to use the above safety equipment.
- This gazebo will take at least 5 hours to set up. You must schedule enough time to complete the assembly. **DO NOT** leave the Gazebo unattended if not fully assembled, even if it is bolted to the ground.
- The screws to anchor on a wood deck and concrete patio are not included.



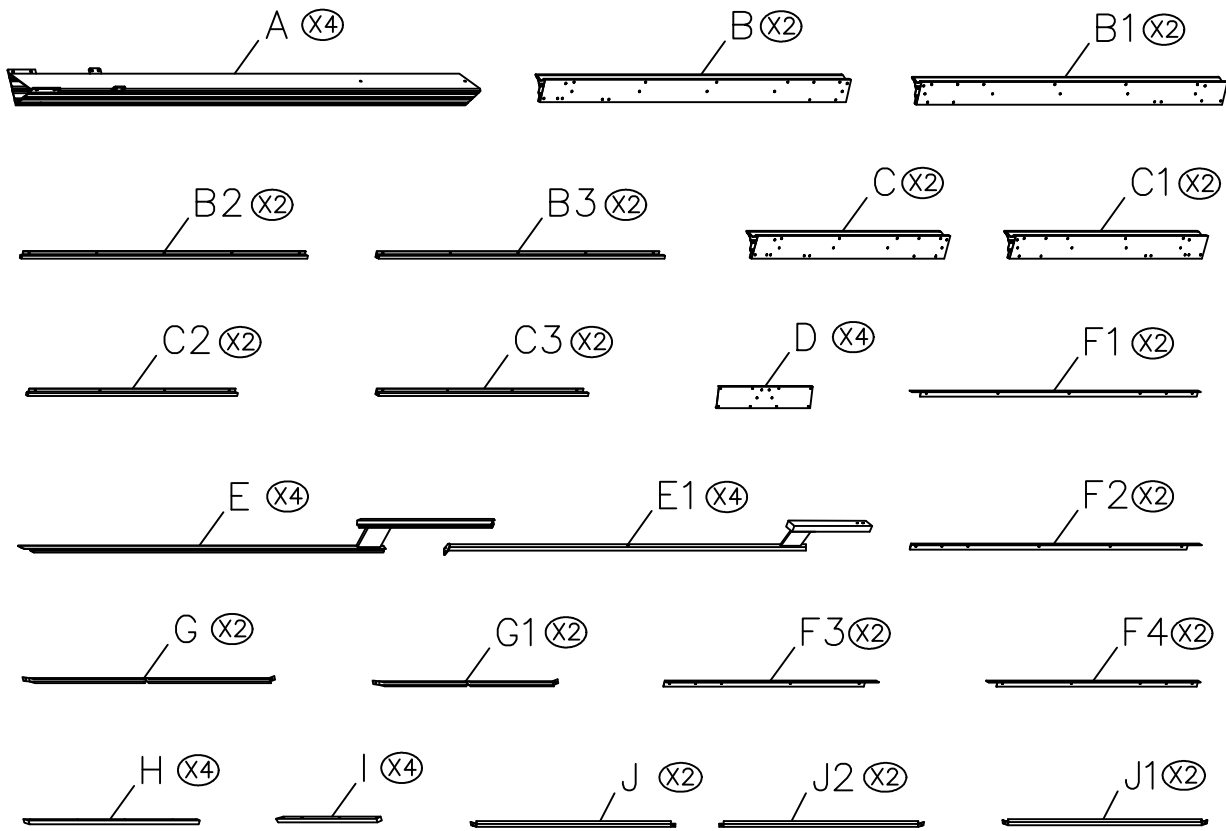
SAVE THESE WARNINGS

PARTS LIST



| Item | Description | Qty |
|------|-------------------------|-----|
| S | Screw and Nut M6X47 | 24 |
| T | Screw and Nut M6X23 | 76 |
| U | Screw M6X20 | 19 |
| V | Screw M6X15 | 220 |
| X | Screw M6X10(D10X20) | 16 |
| X1 | Screw and Cap Nut M6X42 | 8 |
| Y | Screw ST4.8X12 | 24 |
| W2 | Wrench | 1 |
| Z1 | Allen Key | 1 |
| Z2 | Screwdriver | 1 |

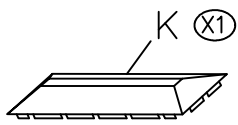
PARTS LIST



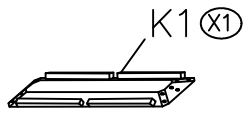
| Item | Description | Qty |
|------|-----------------|-----|
| A | Column | 4 |
| B | Long Ogee | 2 |
| B1 | Long Ogee | 2 |
| B2 | Long Track | 2 |
| B3 | Long Track | 2 |
| C | Short Ogee | 2 |
| C1 | Short Ogee | 2 |
| C2 | Short Track | 2 |
| C3 | Short Track | 2 |
| D | Union Bar | 4 |
| E | Corner Roof Bar | 4 |
| E1 | Roof Bar | 4 |

| Item | Description | Qty |
|------|-----------------------|-----|
| F1 | Gap Cover Bar | 2 |
| F2 | Gap Cover Bar | 2 |
| F3 | Gap Cover Bar | 2 |
| F4 | Gap Cover Bar | 2 |
| G | Long Sideband | 2 |
| G1 | Short Sideband | 2 |
| H | Long Solidifying Bar | 4 |
| I | Short Solidifying Bar | 4 |
| J | Long Sideband | 2 |
| J1 | Short Sideband | 2 |
| J2 | Long Sideband | 2 |

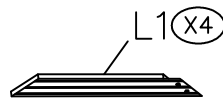
PARTS LIST



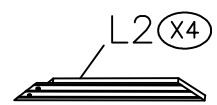
K (X1)



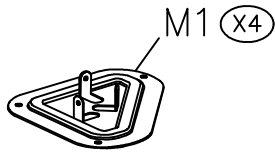
K1 (X1)



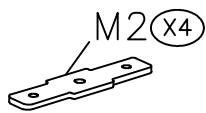
L1 (X4)



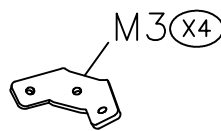
L2 (X4)



M1 (X4)



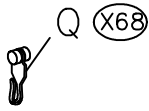
M2 (X4)



M3 (X4)



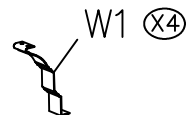
M4 (X96)



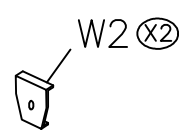
Q (X68)



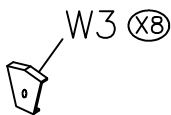
W (X4)



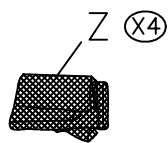
W1 (X4)



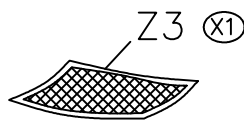
W2 (X2)



W3 (X8)



Z (X4)

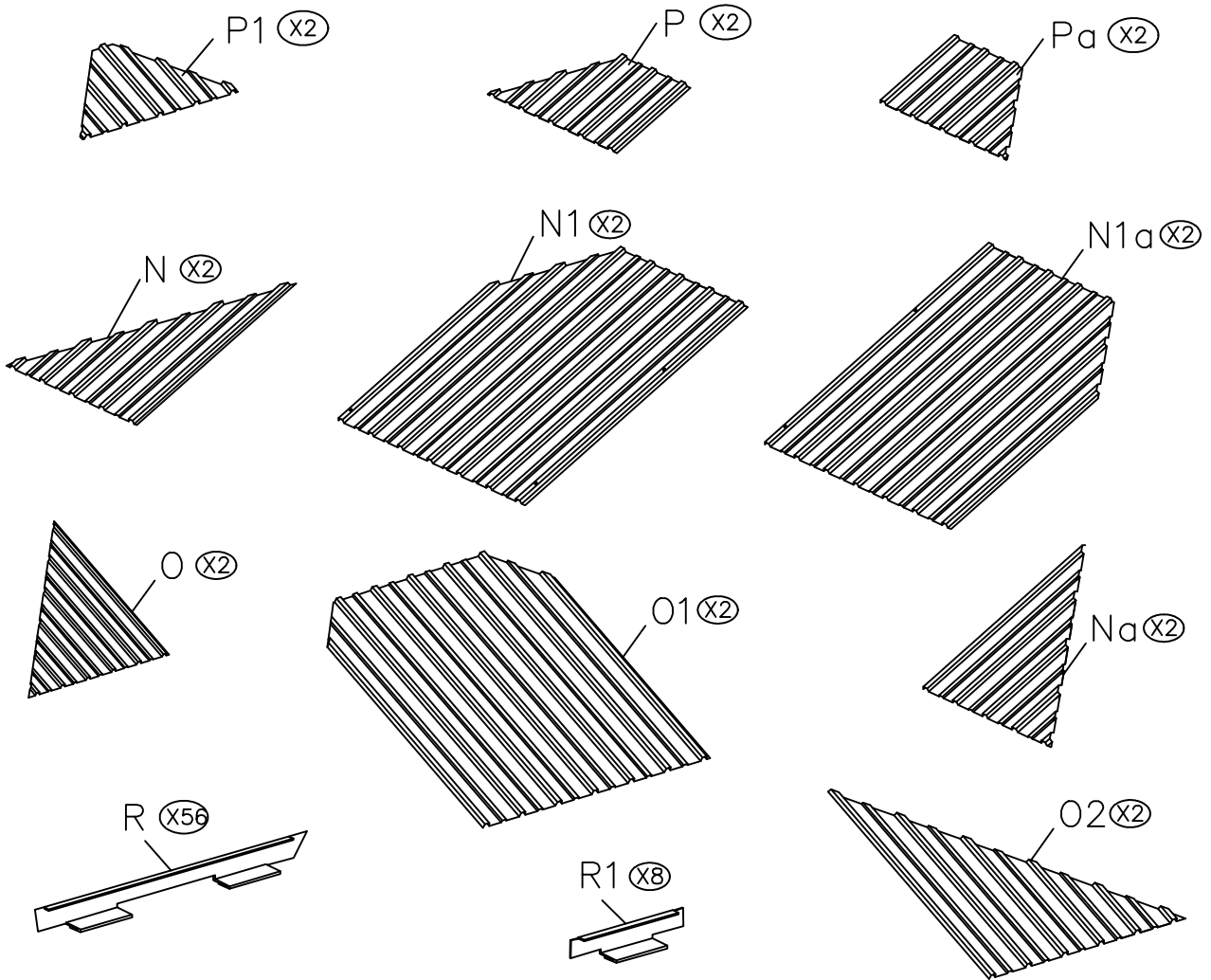


Z3 (X1)

| Item | Description | Qty |
|------|------------------------|-----|
| K | Outside Roof Connector | 1 |
| K1 | Inside Roof Connector | 1 |
| L1 | Corner Solidifying Bar | 4 |
| L2 | Corner Solidifying Bar | 4 |
| M1 | Base | 4 |
| M2 | Iron Angle | 4 |
| M3 | Iron Angle | 4 |
| M4 | Spacer | 96 |

| Item | Description | Qty |
|------|------------------------|-----|
| Q | Hook - extra in option | 68 |
| W | Corner Cover | 4 |
| W1 | Joint Cover Plate | 4 |
| W2 | Joint Cover Plate | 2 |
| W3 | Corner Cover | 8 |
| Z | Iron Angle | 4 |
| Z3 | Gauze Net | 1 |
| | | |

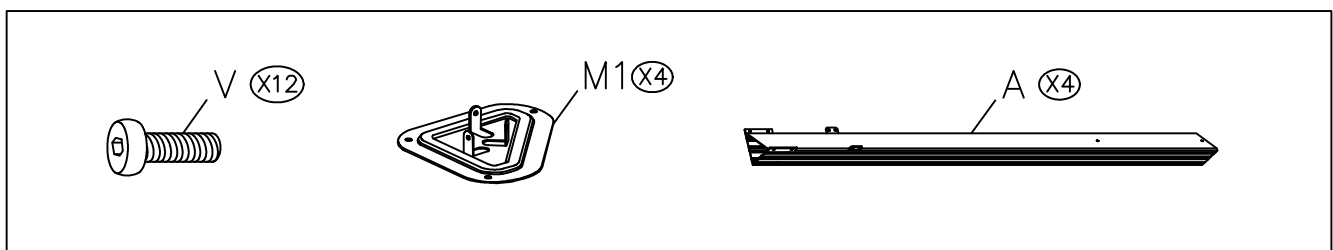
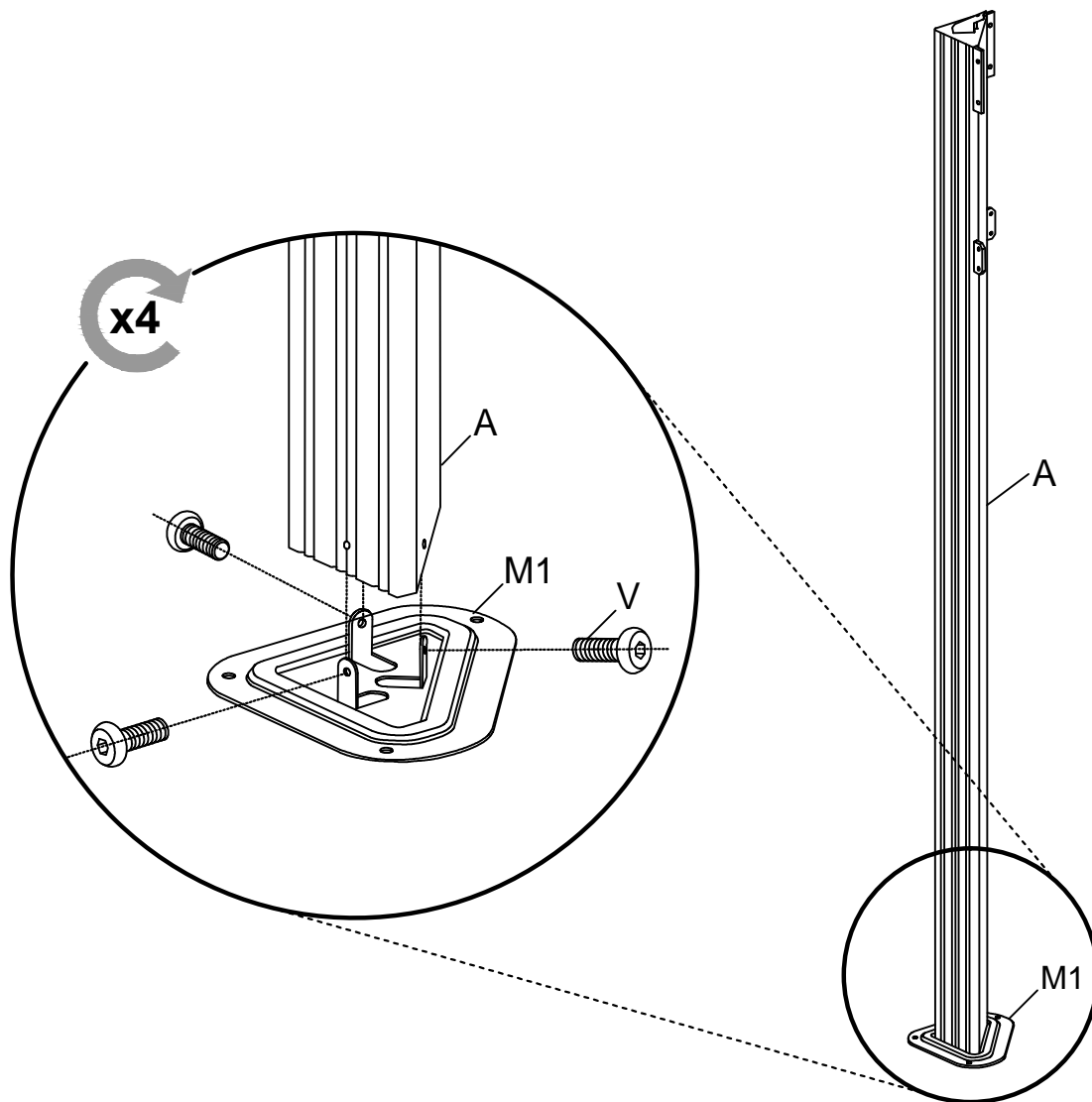
ASSEMBLY



| Item | Description | Qty |
|------|---------------|-----|
| N | Roof Panel | 2 |
| Na | Roof Panel | 2 |
| N1 | Roof Panel | 2 |
| N1a | Roof Panel | 2 |
| O | Roof Panel | 2 |
| O1 | Roof Panel | 2 |
| O2 | Roof Panel | 2 |
| P | Roof Panel | 2 |
| Pa | Roof Panel | 2 |
| P1 | Roof Panel | 2 |
| R | Metal Bracket | 56 |
| R1 | Metal Bracket | 8 |

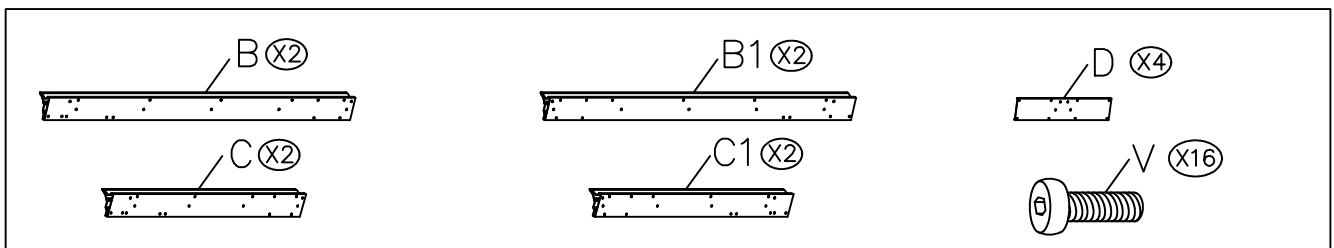
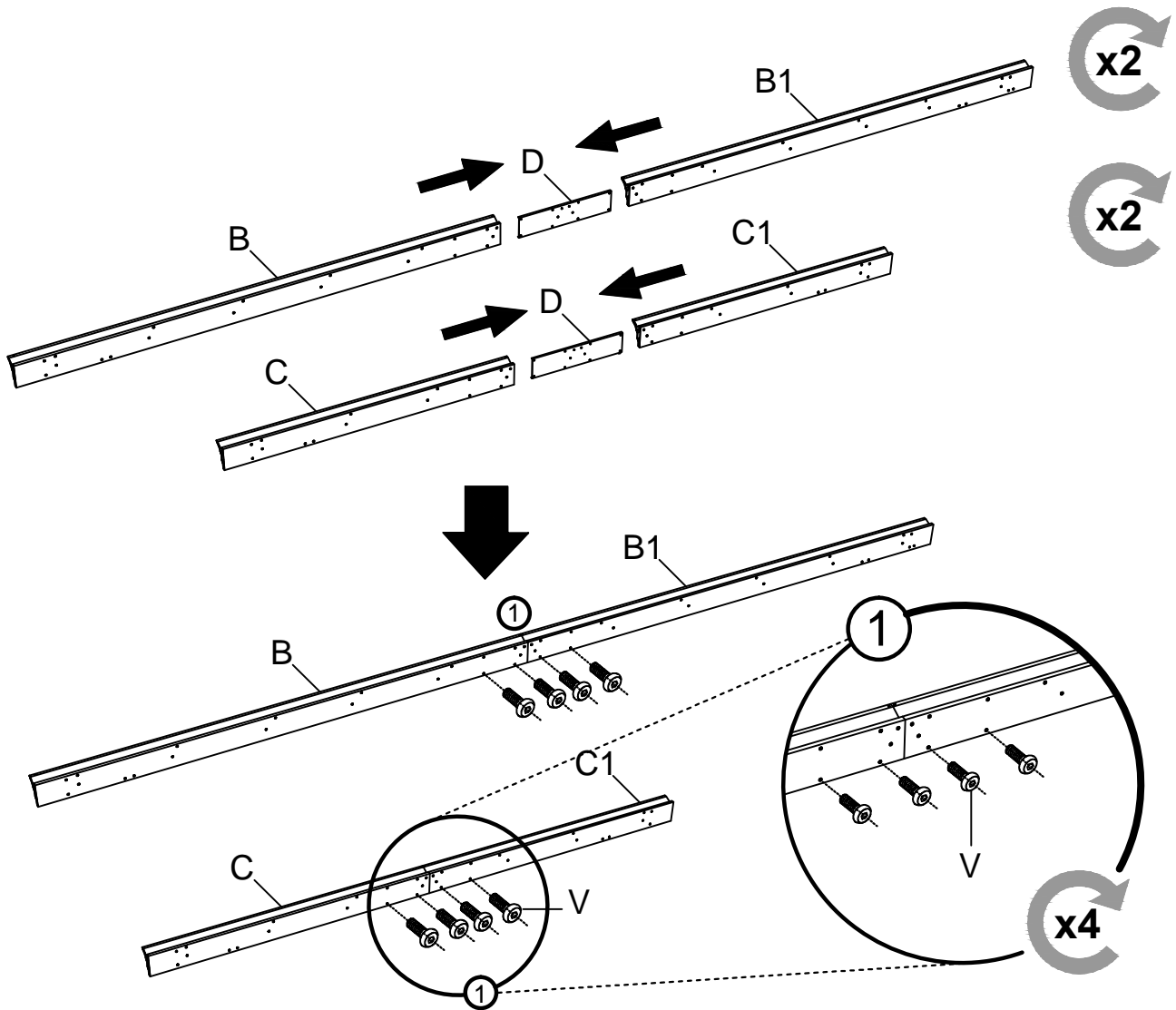
ASSEMBLY

Step 1



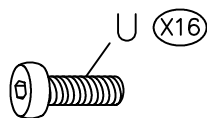
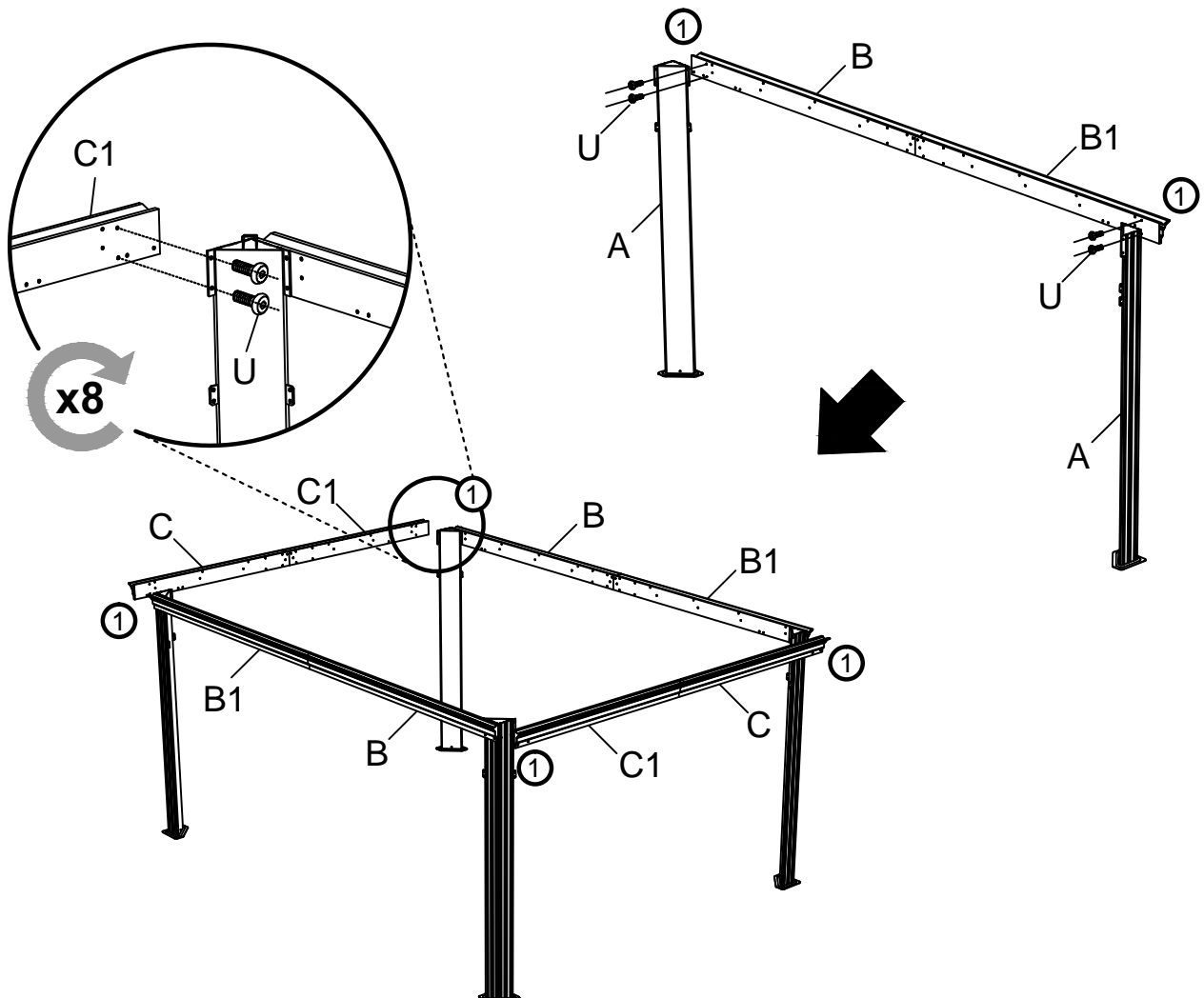
ASSEMBLY

Step 2

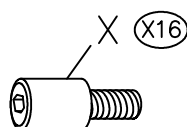
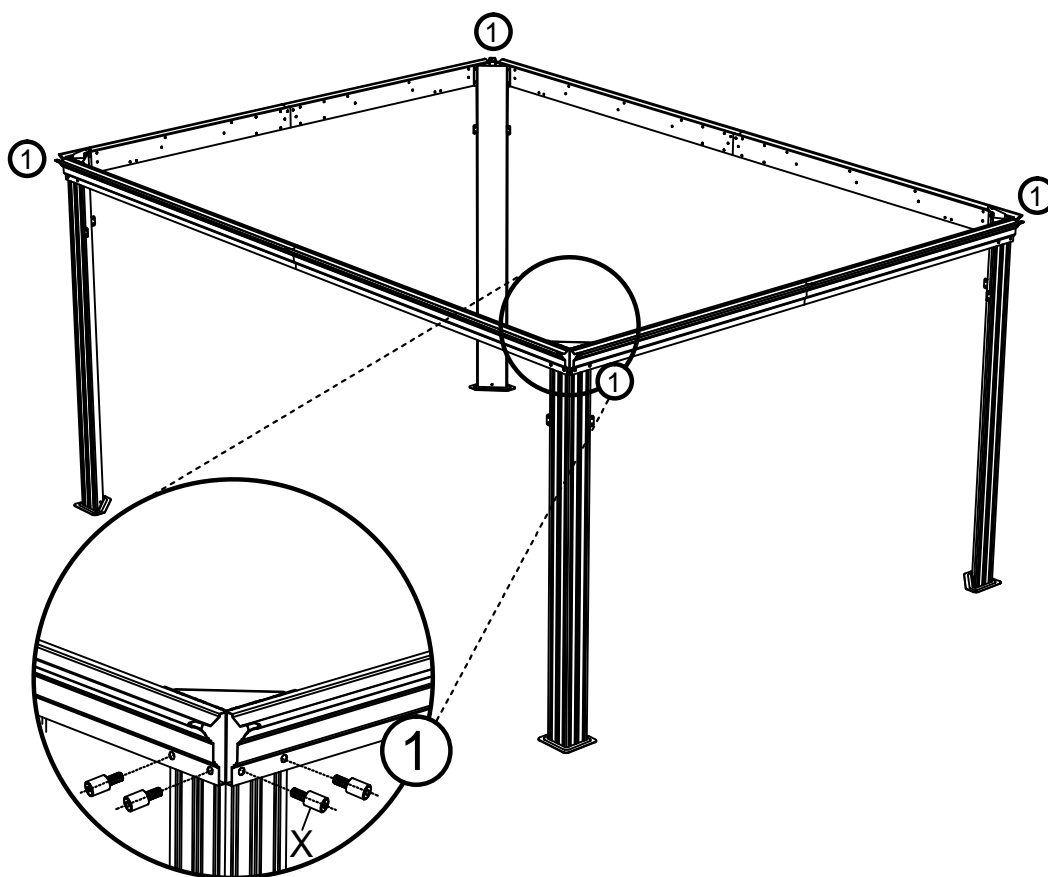


ASSEMBLY

Step 3

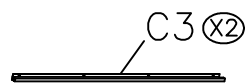
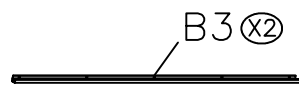
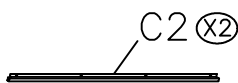
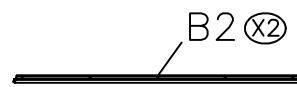
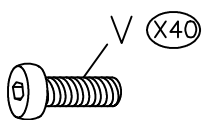
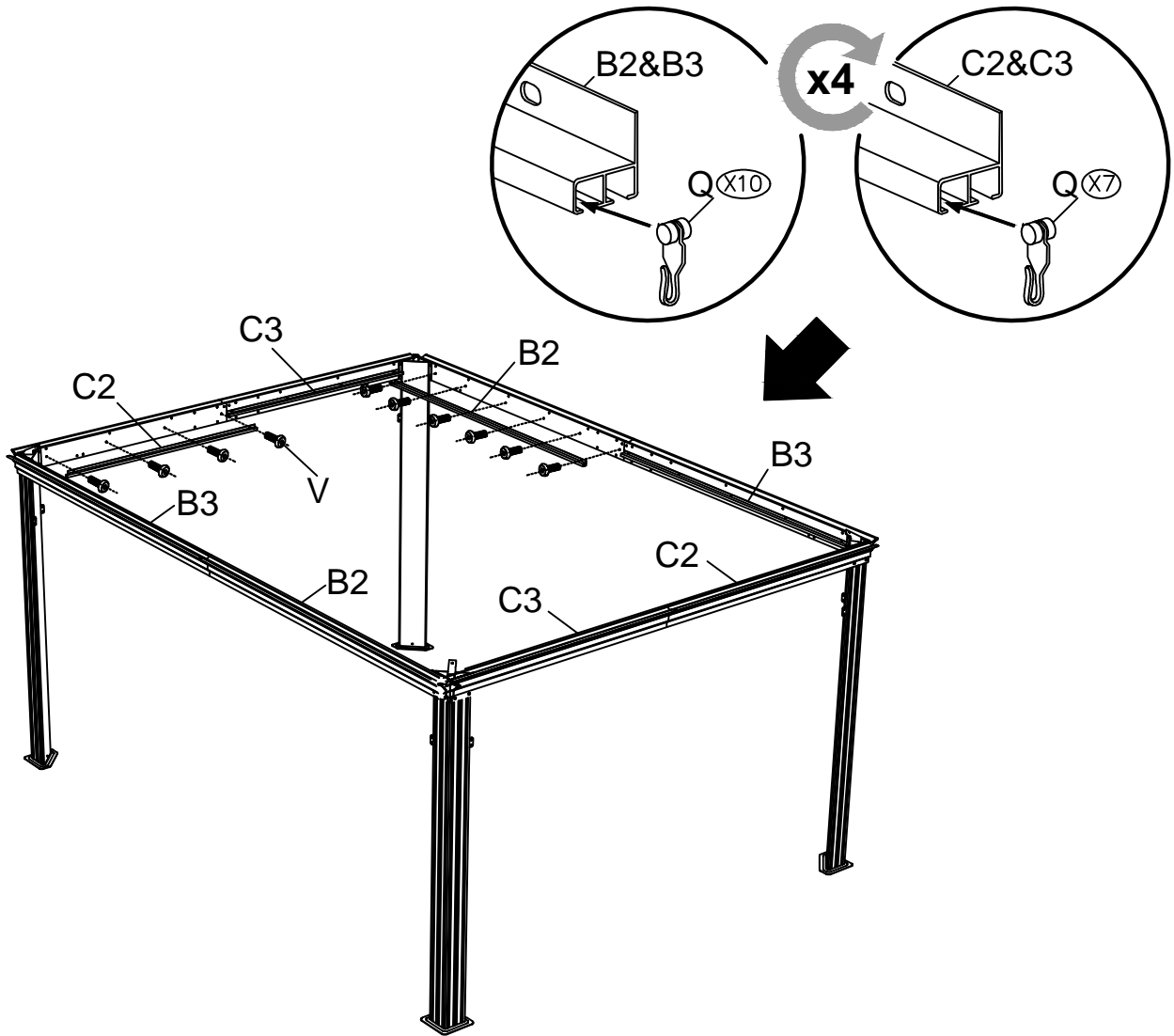


Step 4

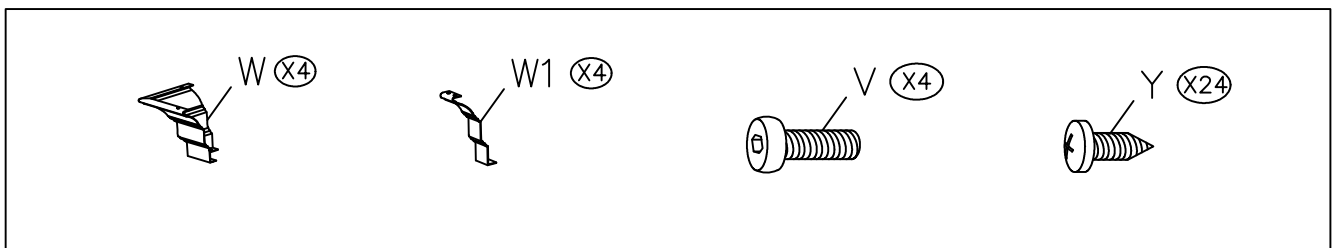
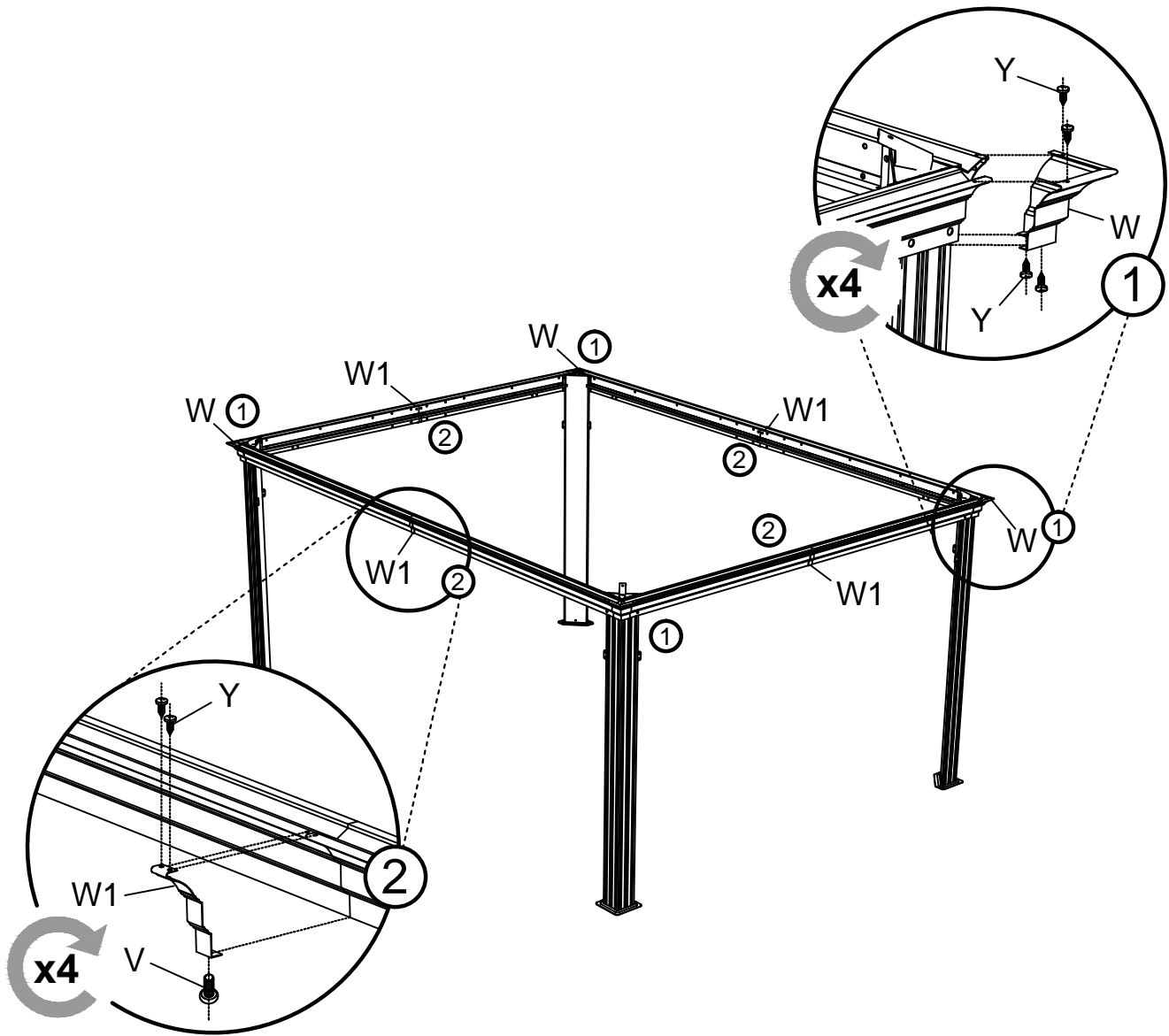


ASSEMBLY

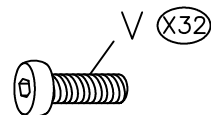
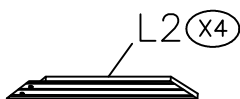
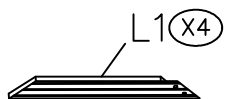
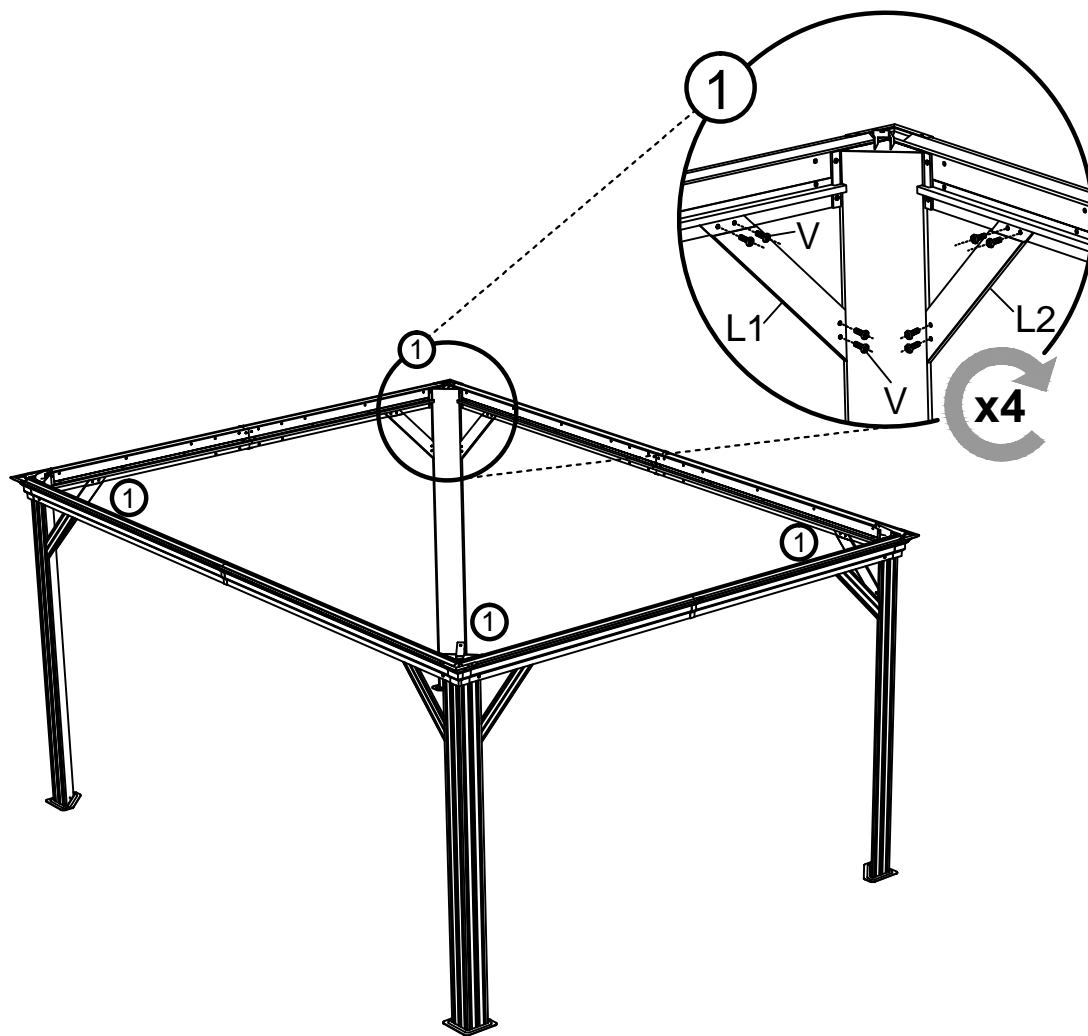
Step 5



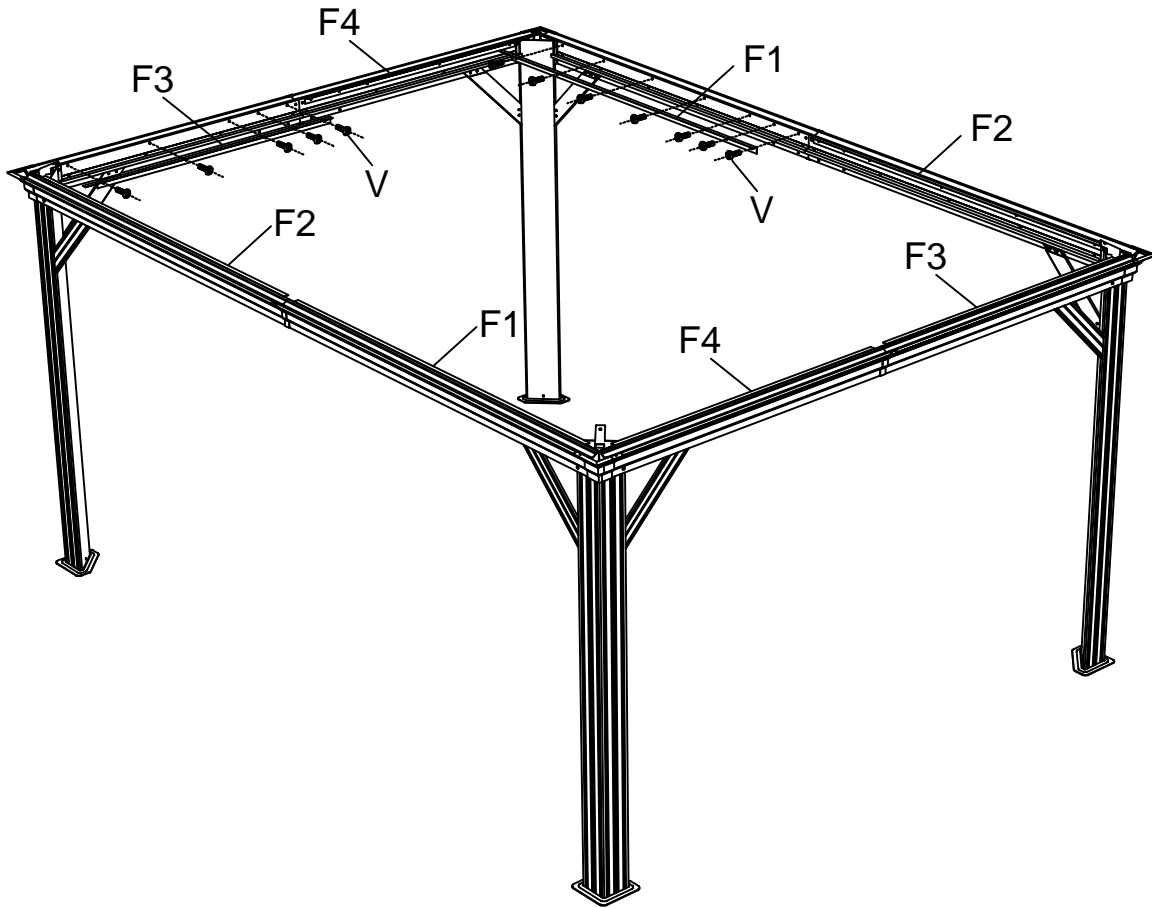
Step 6



Step 7



Step 8

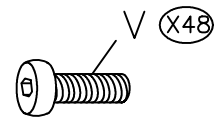


F1 (x2)

F3 (x2)

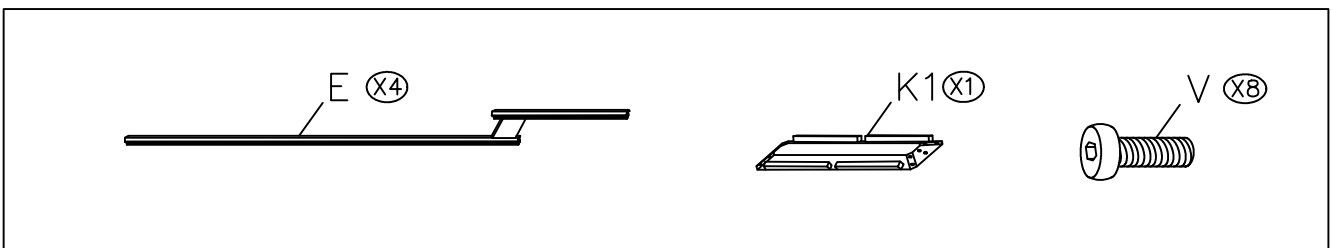
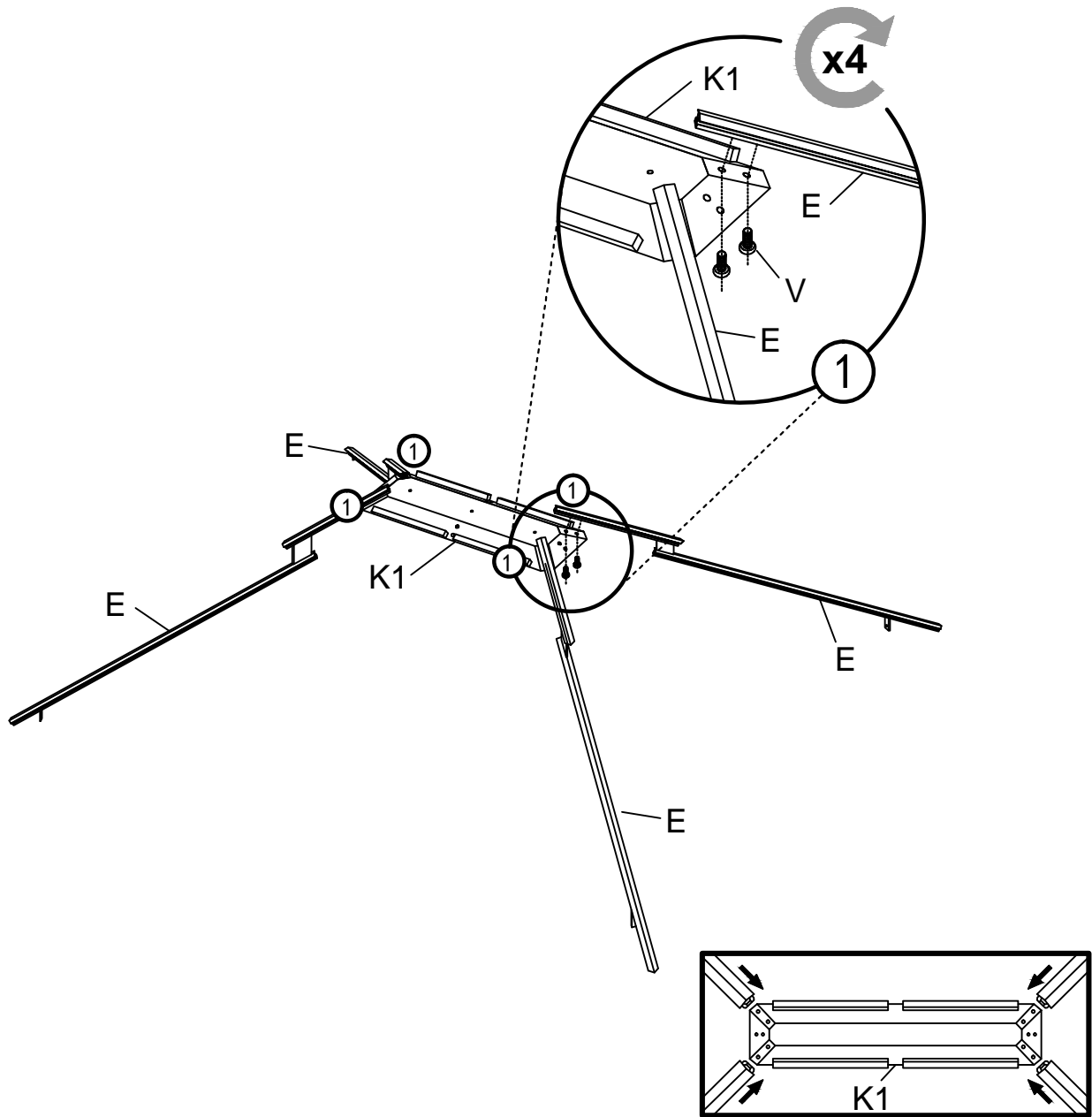
F2 (x2)

F4 (x2)



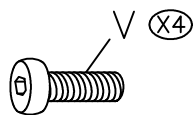
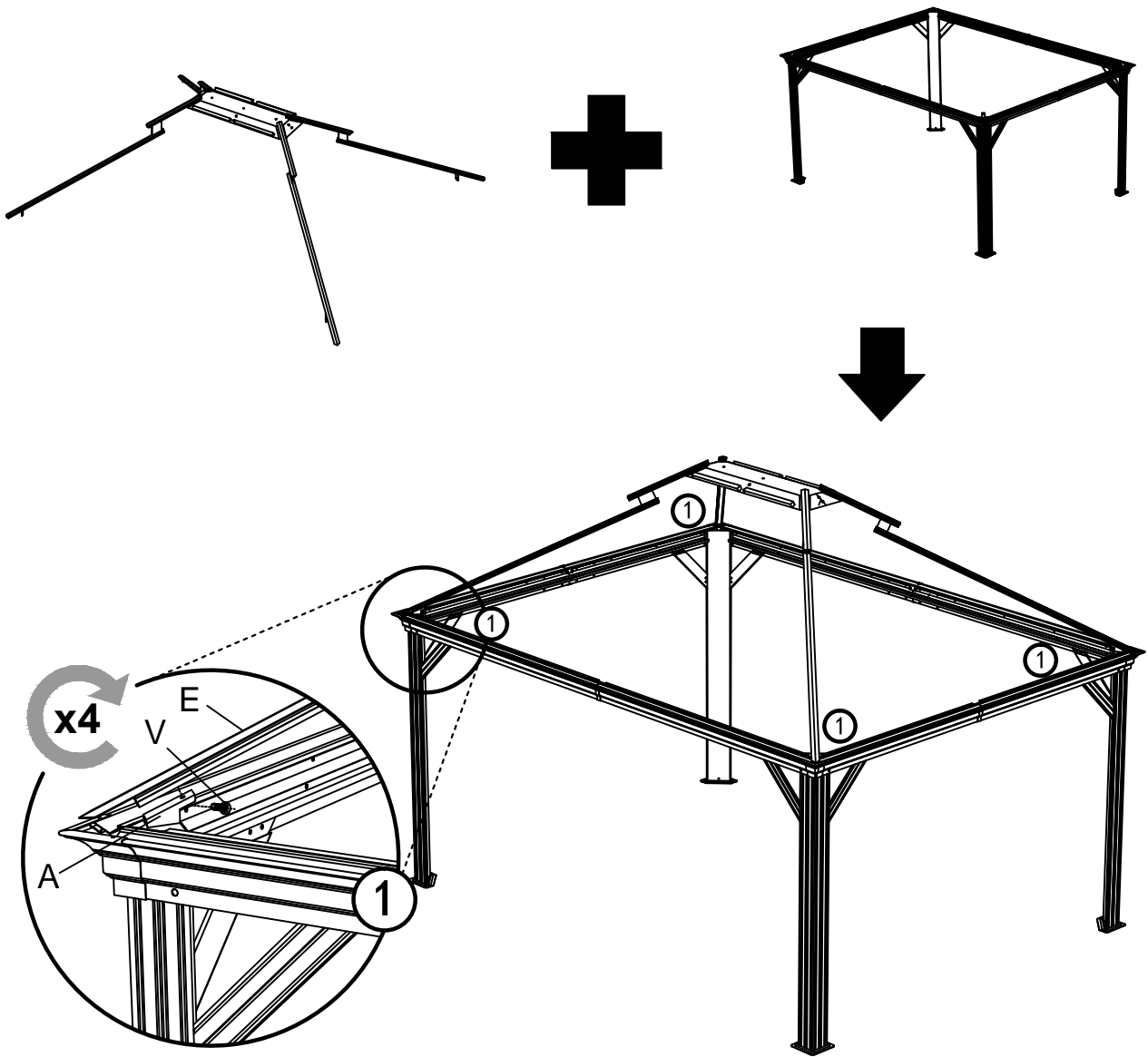
ASSEMBLY

Step 9

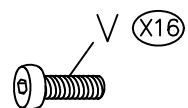
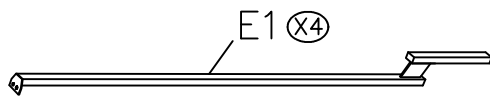
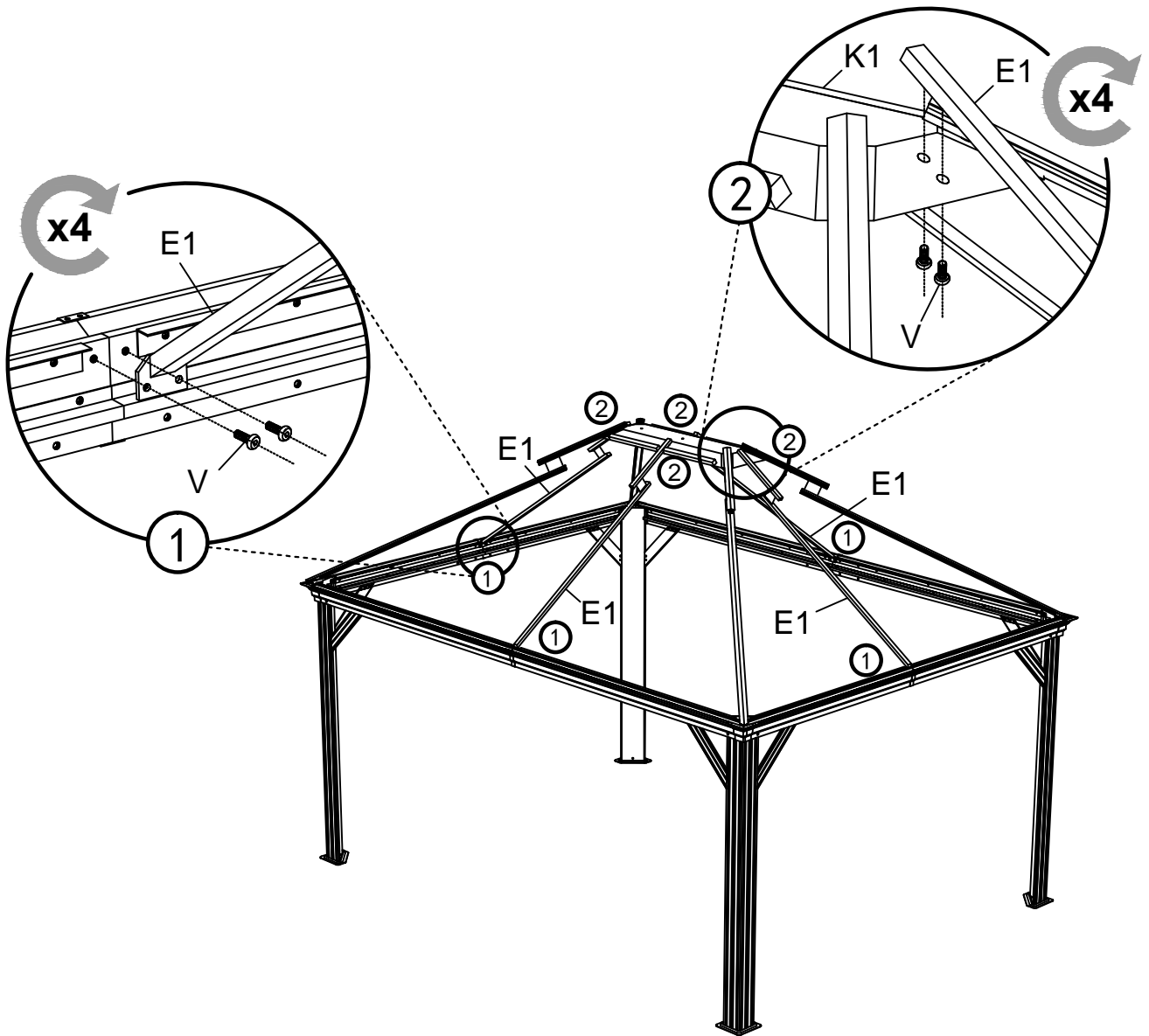


ASSEMBLY

Step 10

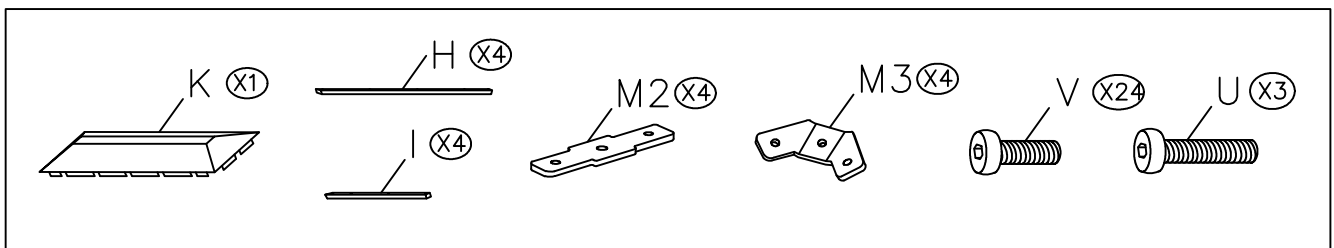
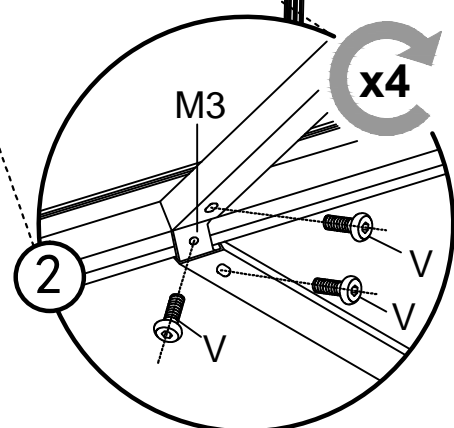
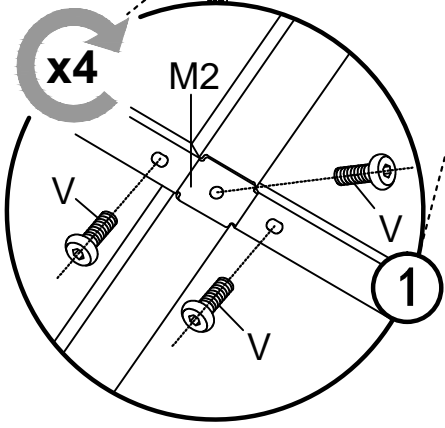
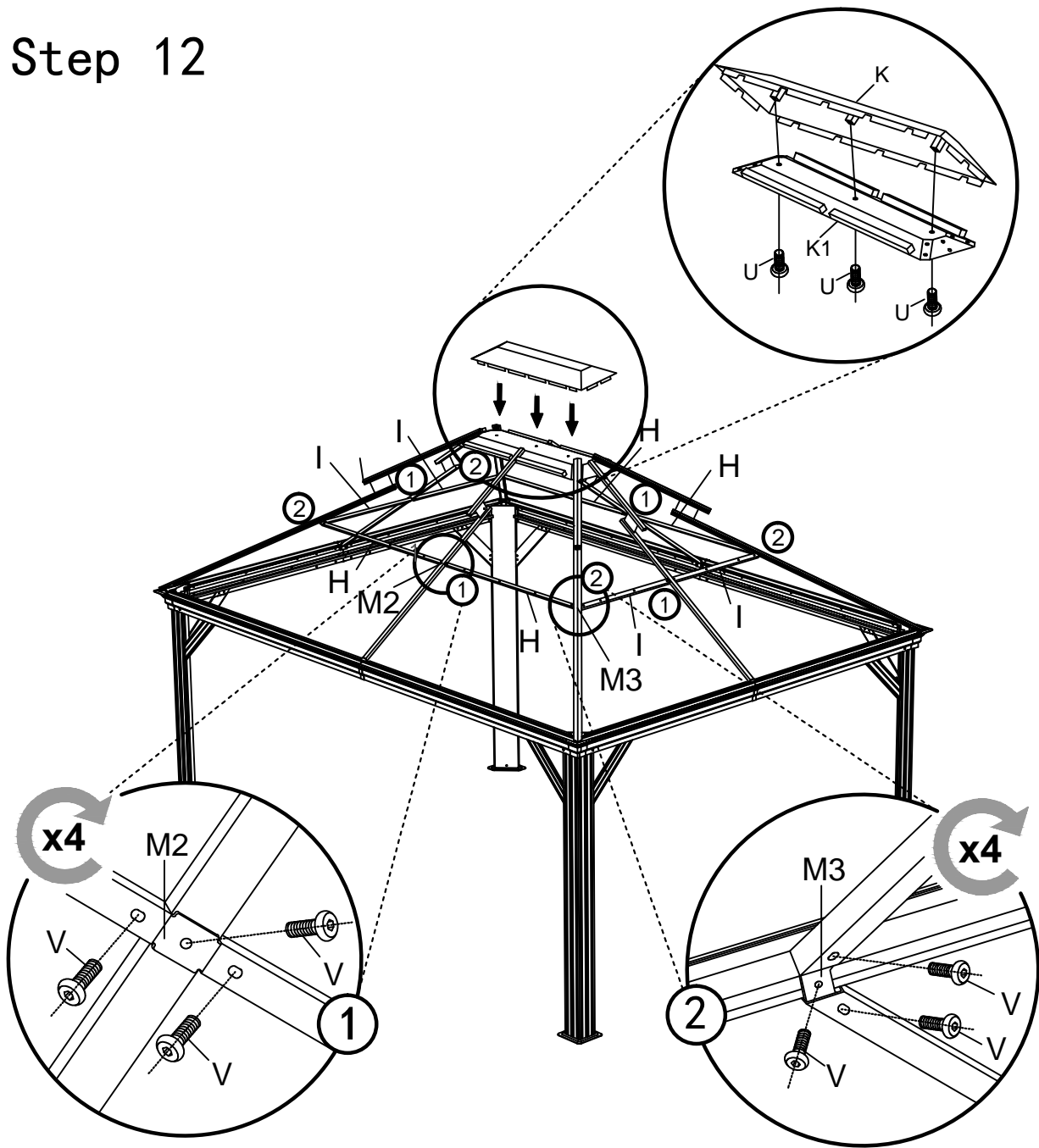


Step 11

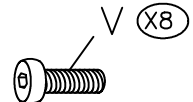
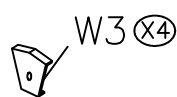
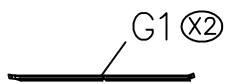
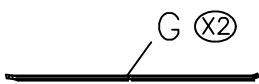
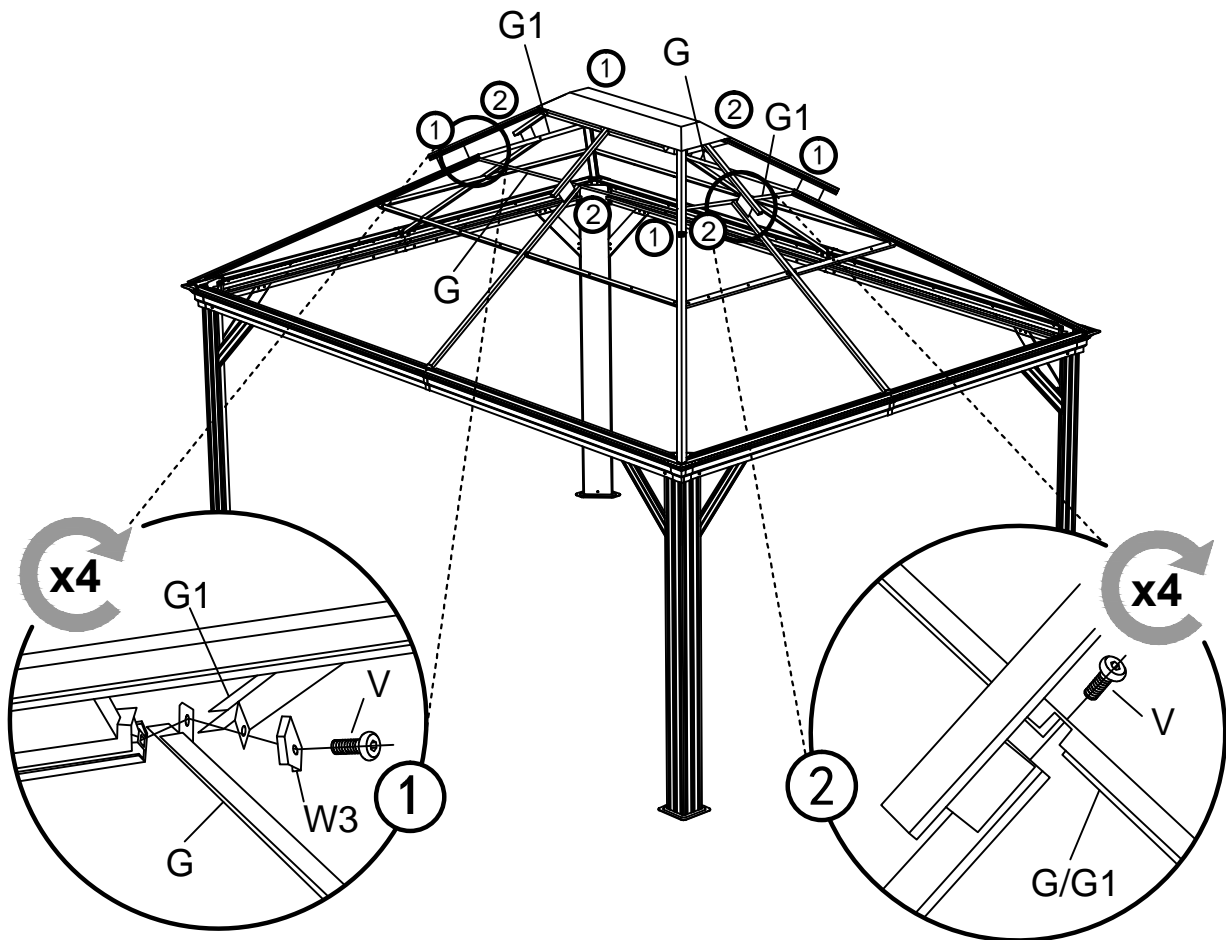


ASSEMBLY

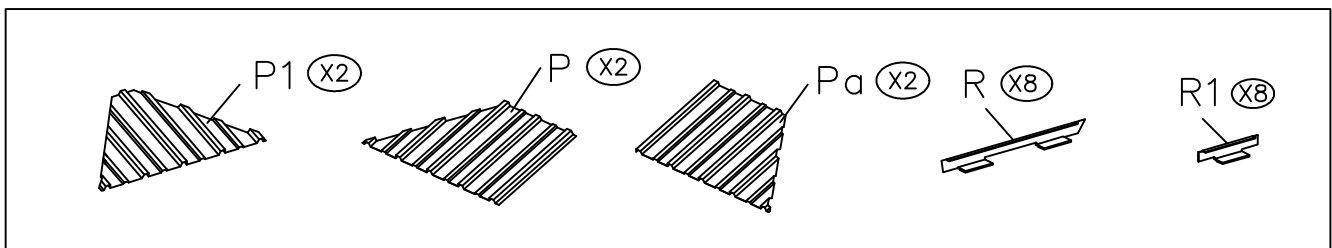
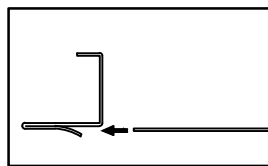
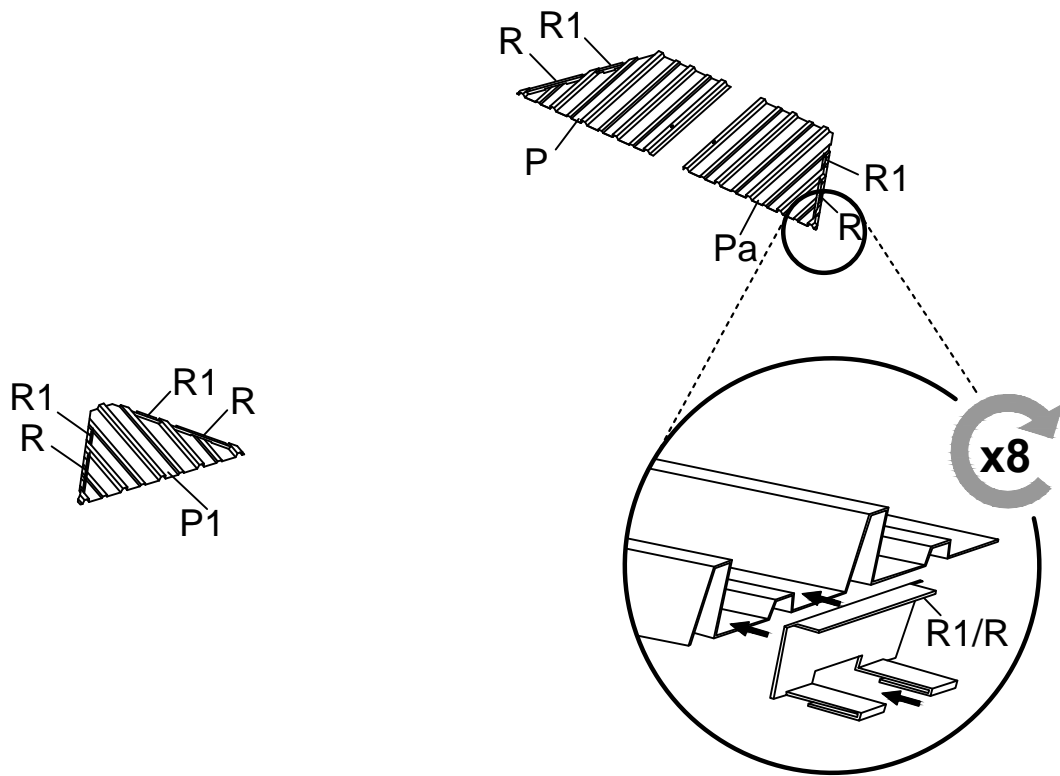
Step 12



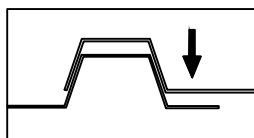
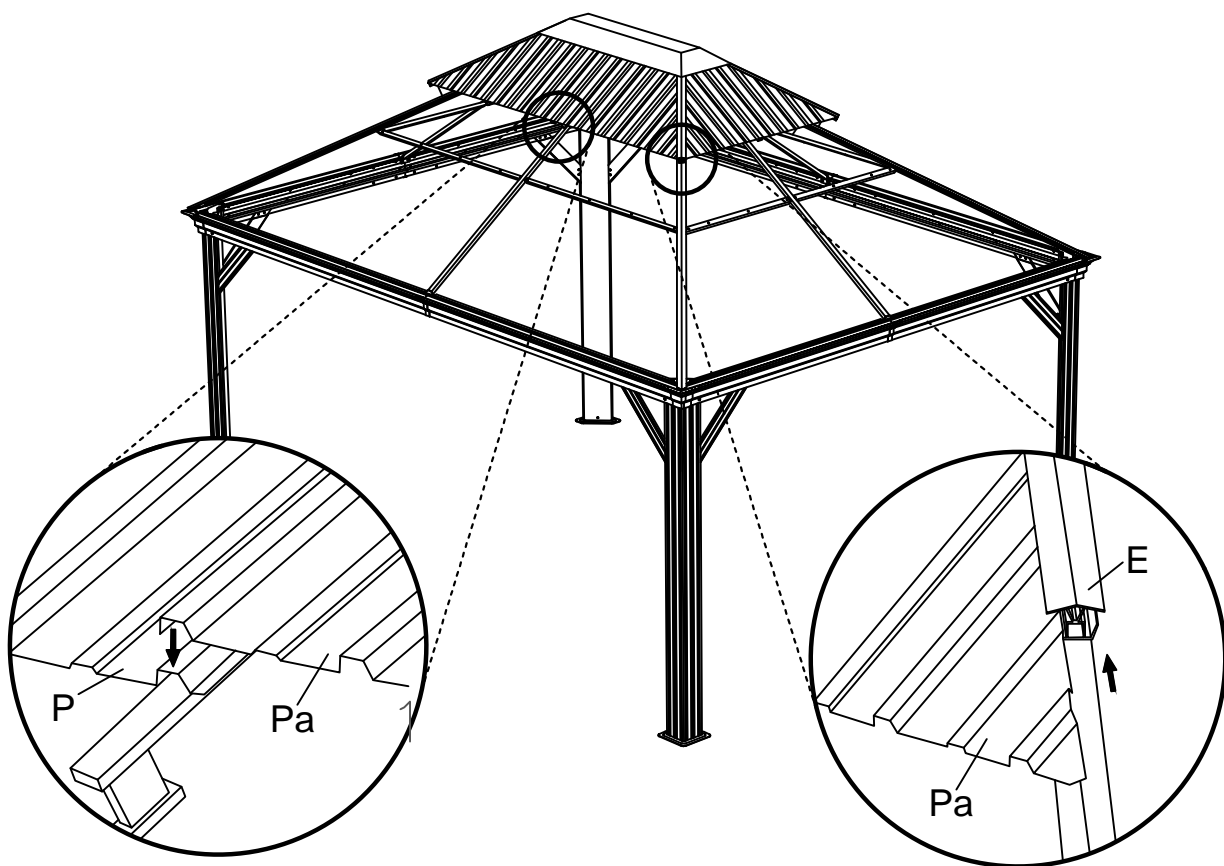
Step 13



Step 14

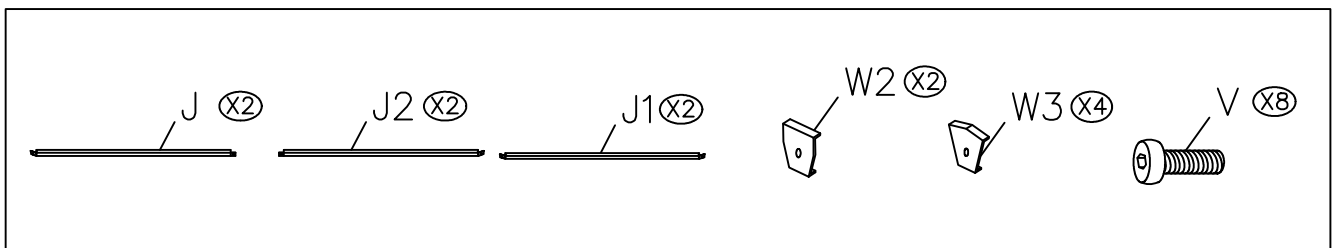
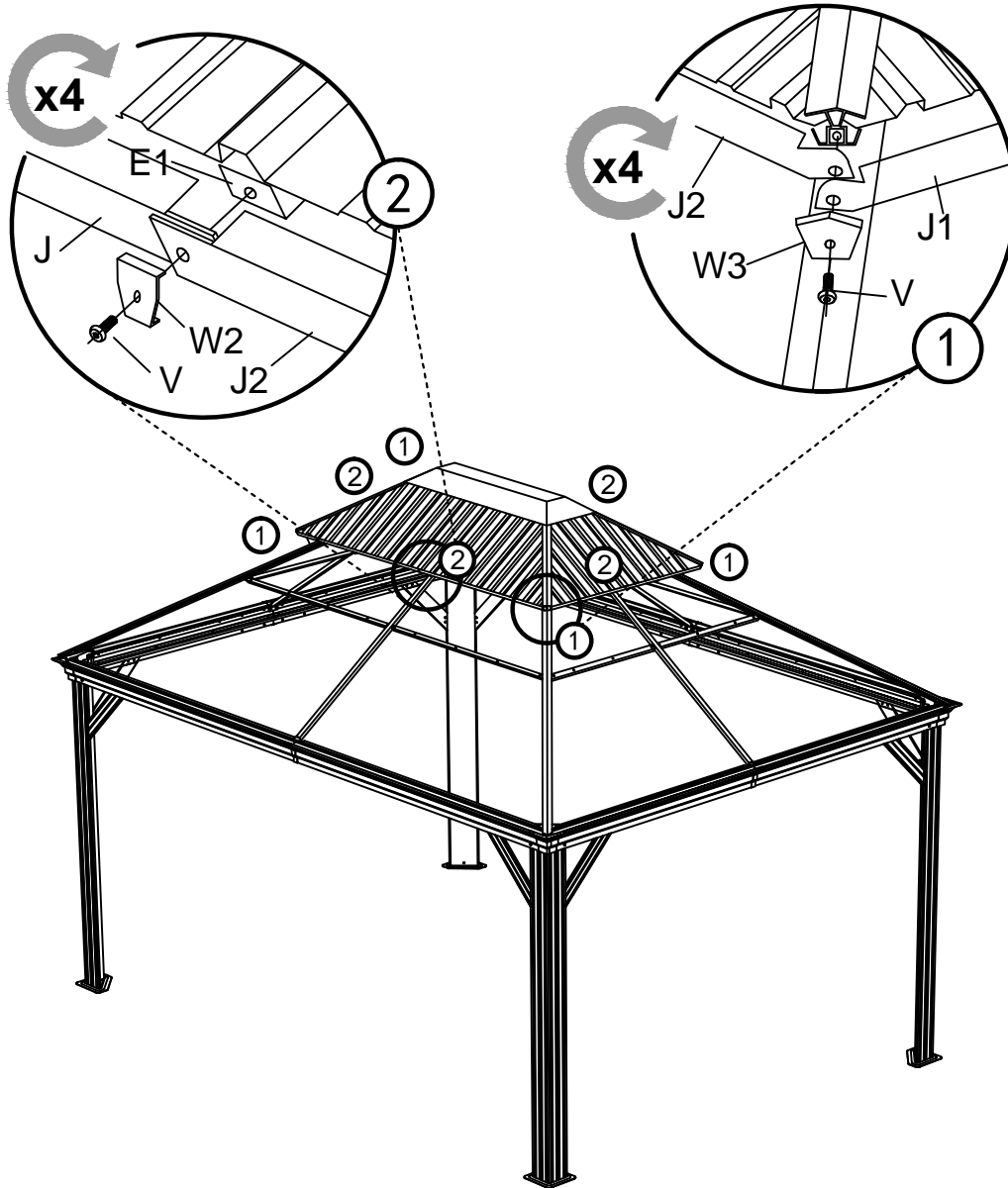


Step 15

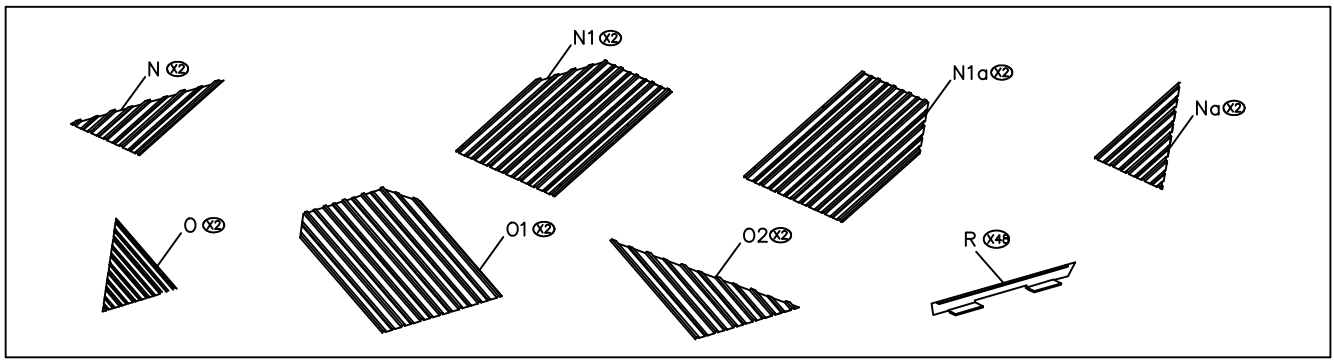
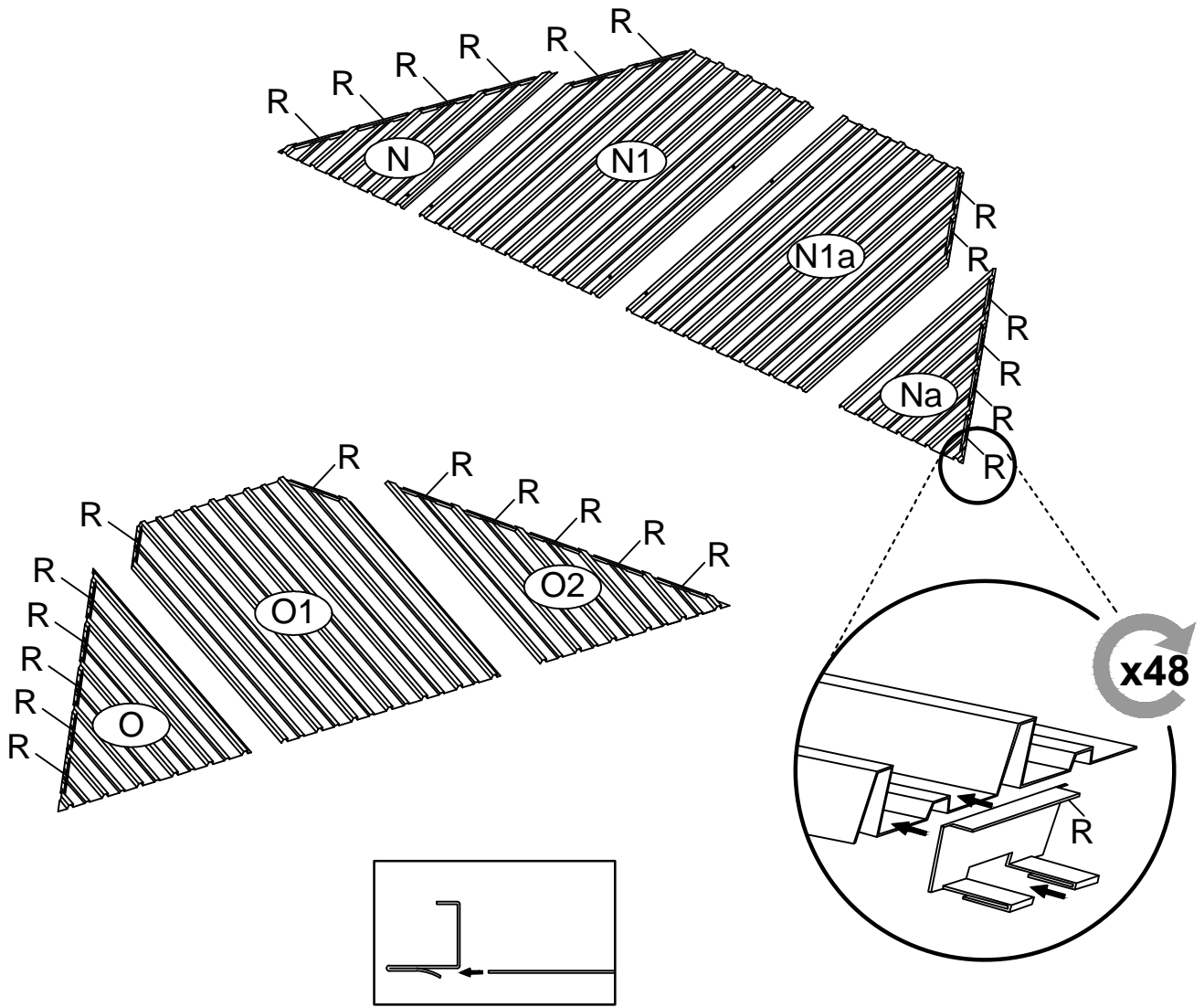


ASSEMBLY

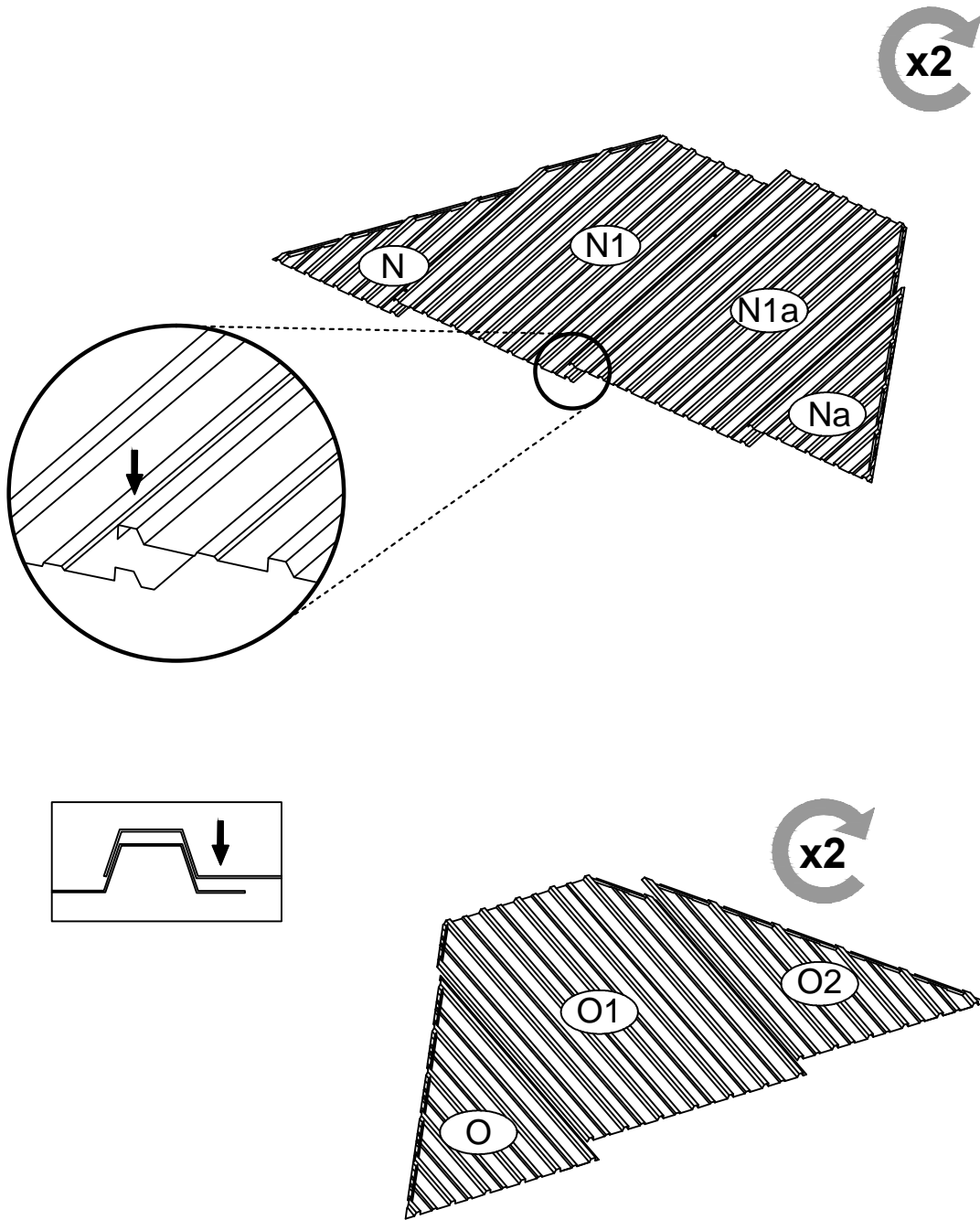
Step 16



Step 17

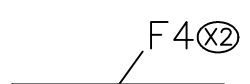
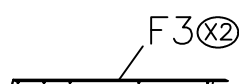
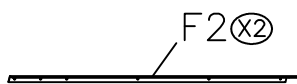
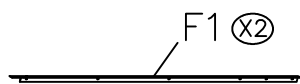
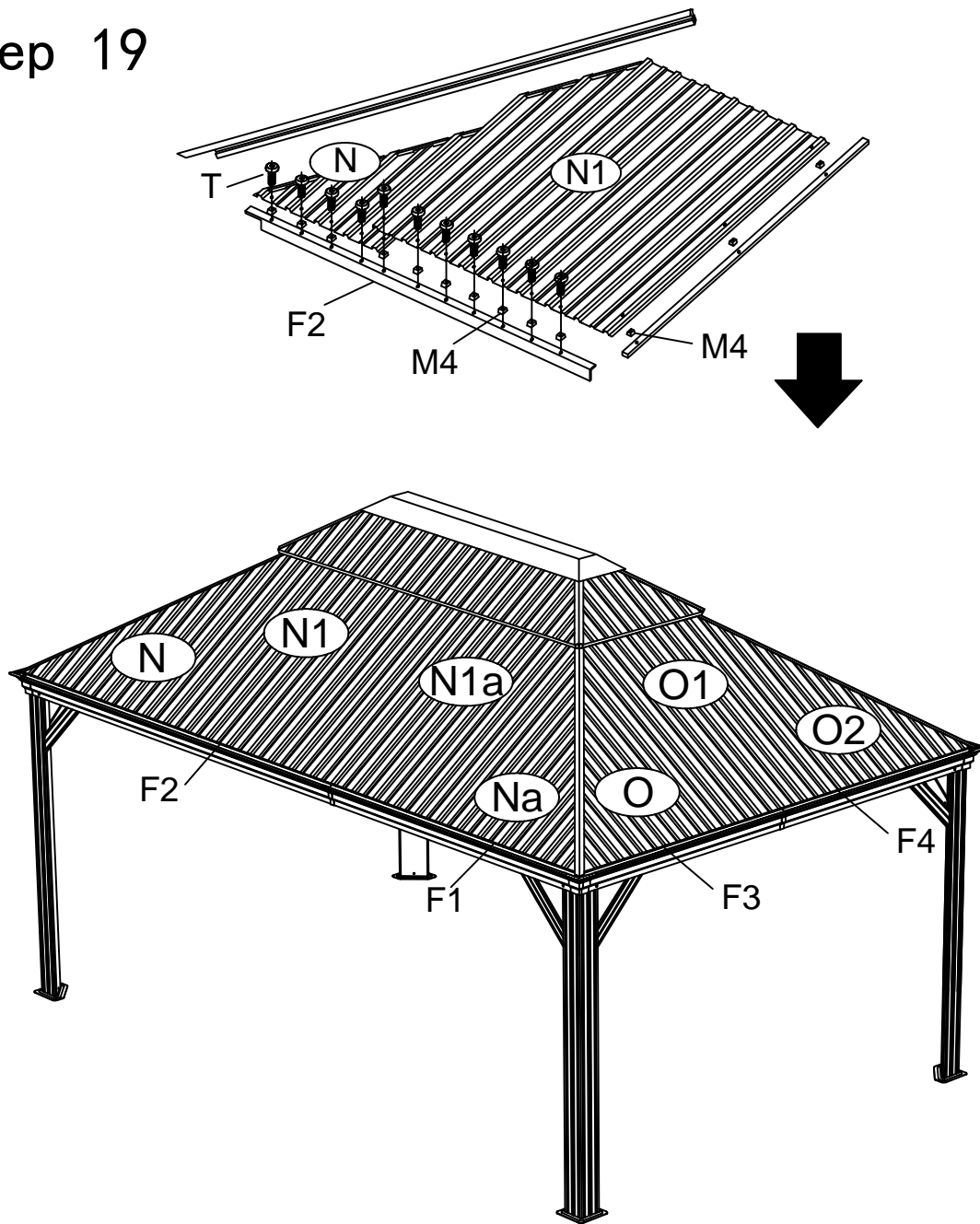


Step 18



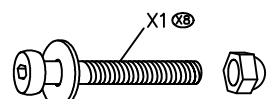
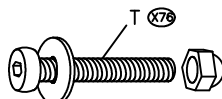
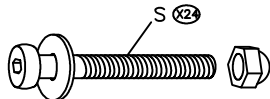
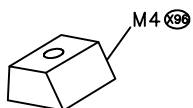
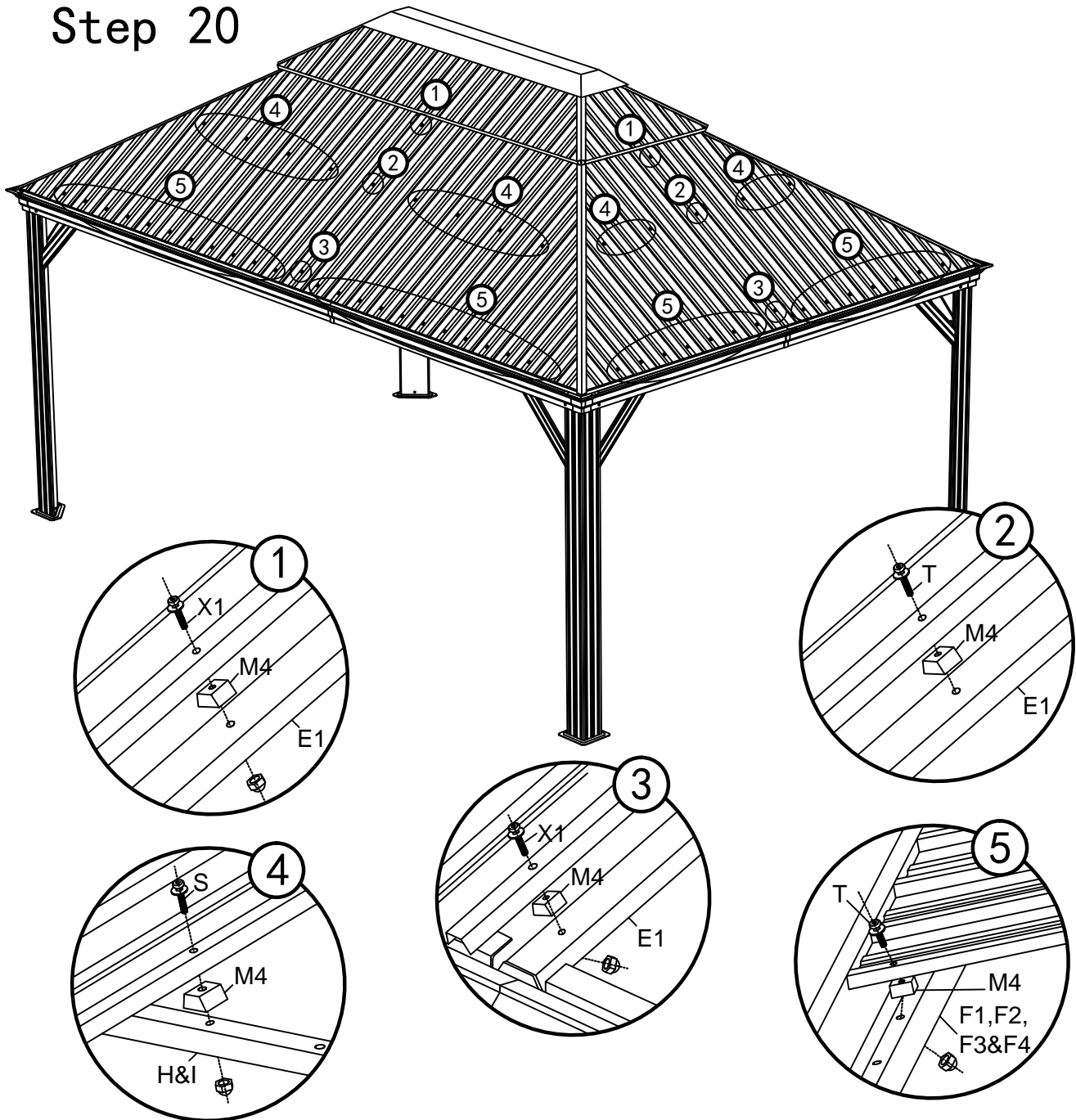
ASSEMBLY

Step 19



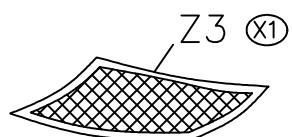
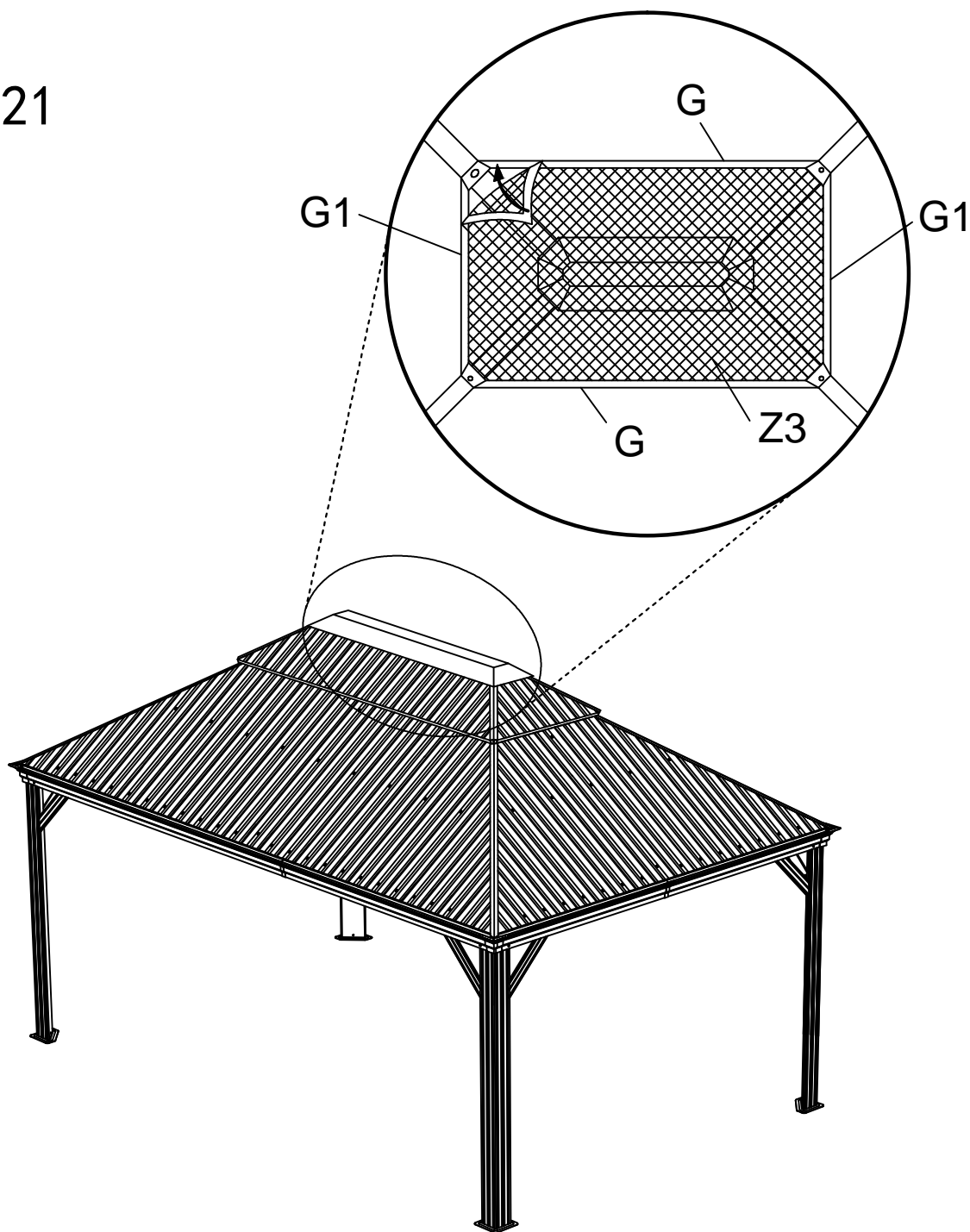
ASSEMBLY

Step 20



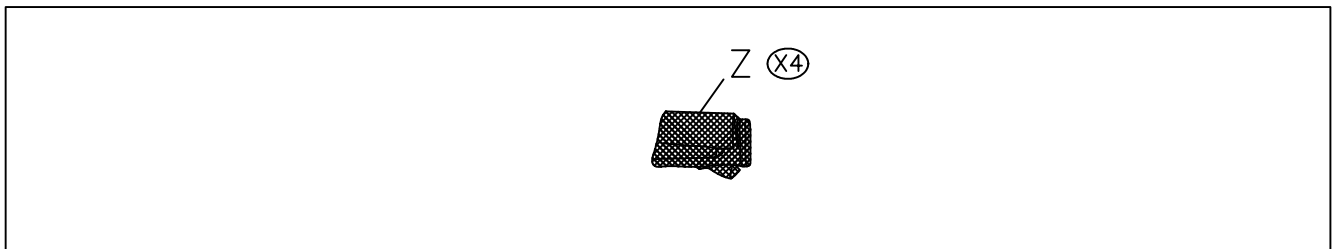
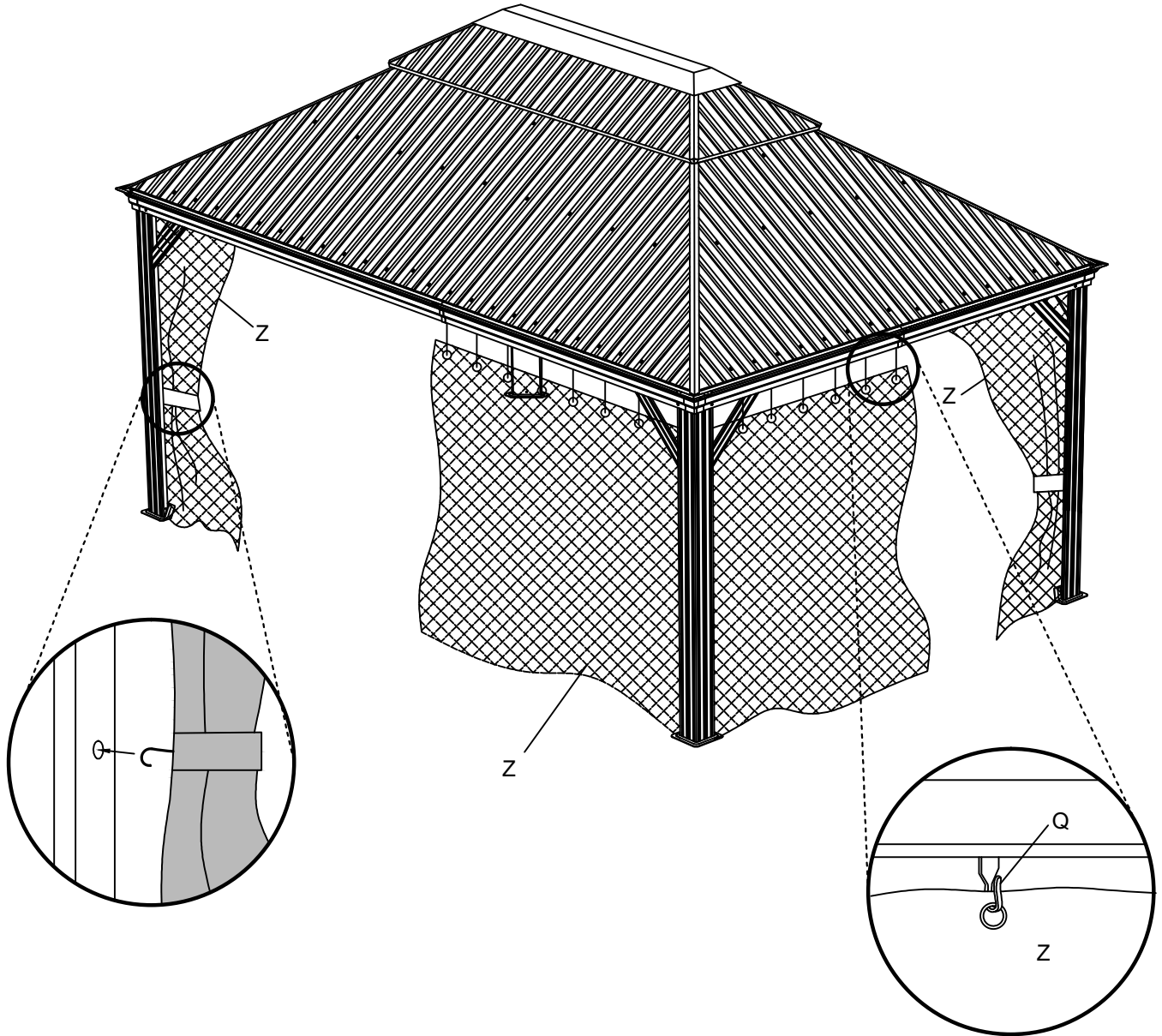
ASSEMBLY

Step 21



ASSEMBLY

Step 22



MAINTENANCE

PLEASE READ THE FOLLOWING CAREFULLY

THE MANUFACTURER AND/OR DISTRIBUTOR HAS PROVIDED THE PARTS LIST AND ASSEMBLY DIAGRAM IN THIS MANUAL AS A REFERENCE TOOL ONLY. NEITHER THE MANUFACTURER OR DISTRIBUTOR MAKES ANY REPRESENTATION OR WARRANTY OF ANY KIND TO THE BUYER THAT HE OR SHE IS QUALIFIED TO MAKE ANY REPAIRS TO THE PRODUCT, OR THAT HE OR SHE IS QUALIFIED TO REPLACE ANY PARTS OF THE PRODUCT. IN FACT, THE MANUFACTURER AND/OR DISTRIBUTOR EXPRESSLY STATES THAT ALL REPAIRS AND PARTS REPLACEMENTS SHOULD BE UNDERTAKEN BY CERTIFIED AND LICENSED TECHNICIANS, AND NOT BY THE BUYER. THE BUYER ASSUMES ALL RISK AND LIABILITY ARISING OUT OF HIS OR HER REPAIRS TO THE ORIGINAL PRODUCT OR REPLACEMENT PARTS THERETO, OR ARISING OUT OF HIS OR HER INSTALLATION OF REPLACEMENT PARTS THERETO.

Record Product's Serial Number Here: _____

Note: If product has no serial number, record month and year of purchase instead.

Note: Some parts are listed and shown for illustration purposes only and are not available individually as replacement parts.



SAVE THESE INSTRUCTIONS

Questions, problems, missing parts?

Before returning to your retailer, our exceptional customer service is here to help.



Call Us: 909.628.0880

Email Us: customer@bartonliving.com

Hours of Operation: 9am - 4pm (Monday - Friday)

PRODUCT MADE IN CHINA