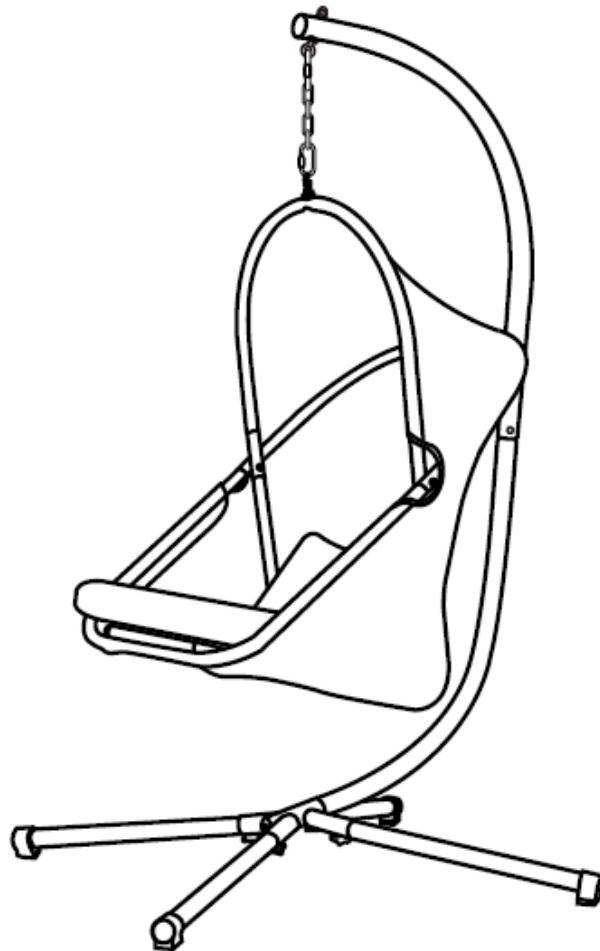


the LifeStyle  
*Barton*  
Home Office Patio

## FOLDING SWING CHAIR

ITEM # 96226 TAN, 96227 AQUA, 96228 BLACK

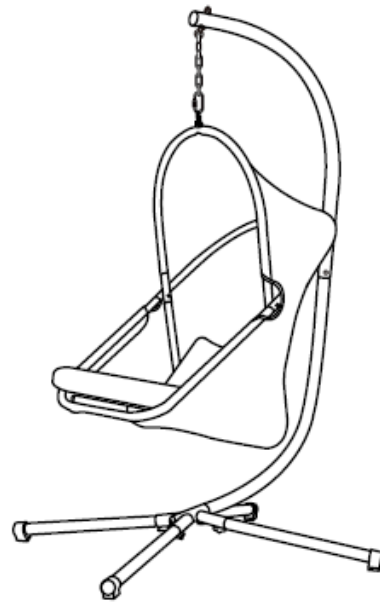


## OWNER'S MANUAL AND SAFETY INSTRUCTIONS

SAVE THIS MANUAL. KEEP THIS MANUAL FOR SAFETY WARNINGS, PRECAUTIONS, ASSEMBLY, OPERATION, INSPECTION, MAINTENANCE AND CLEANING PROCEDURES. WRITE THE PRODUCT'S SERIAL NUMBER ON THE BACK OF THE MANUAL, OR THE MONTH AND YEAR OF PURCHASE IF PRODUCT HAS NO SERIAL NUMBER

FOR QUESTIONS, PLEASE CALL CUSTOMER SERVICE: 909.628.4900

# PARTS LIST






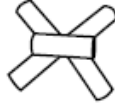


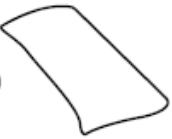
TOOLS:



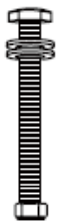







≈ 30 mins



## PARTS LIST

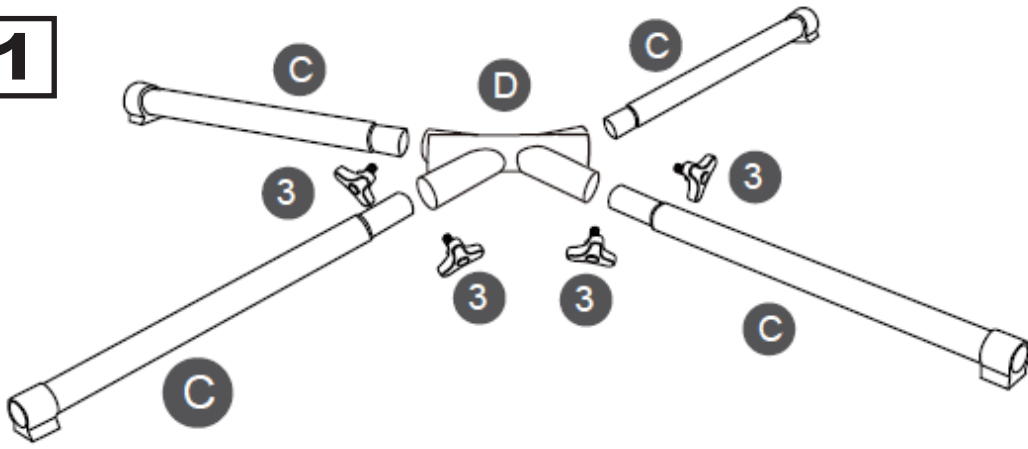
<b>A</b> x1	<b>B</b> x1	<b>C</b> x4	<b>D</b> x1	<b>E</b> x1	<b>F</b> x1	<b>G</b> x1
						

## ACCESSORIES

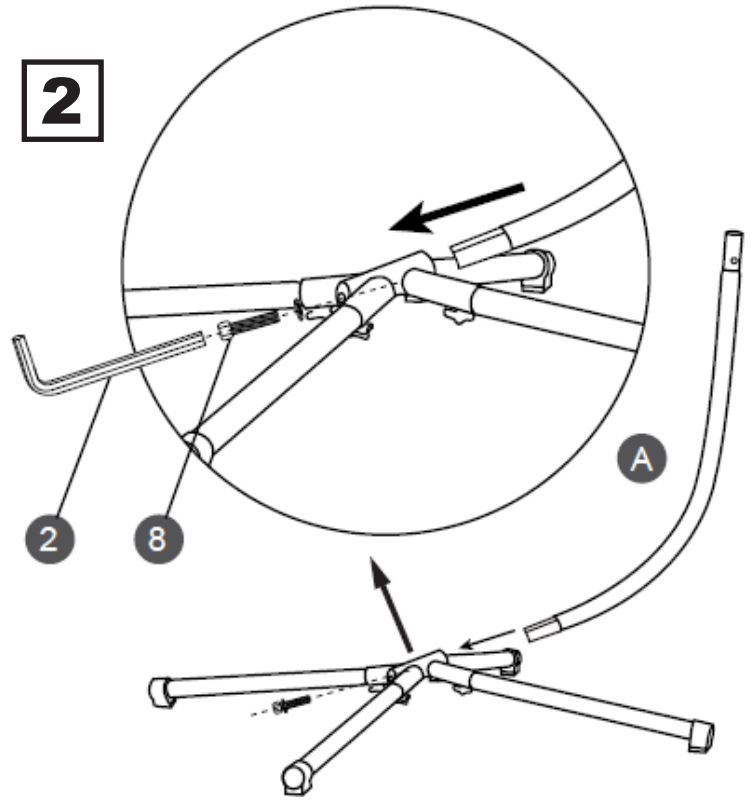
<b>1</b> x1	<b>2</b> x1	<b>3</b> x4	<b>4</b> x6	<b>5</b> x2	<b>6</b> x1	<b>7</b> x1	<b>8</b> x1
							
M8x60mm	M10x40mm						

# ASSEMBLY

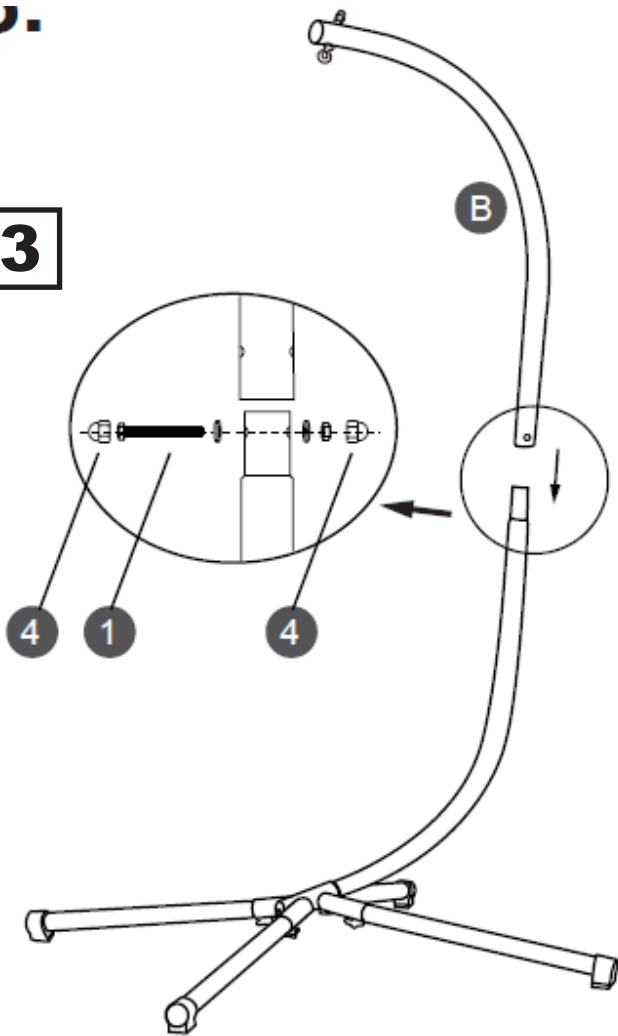
**1**



**2**

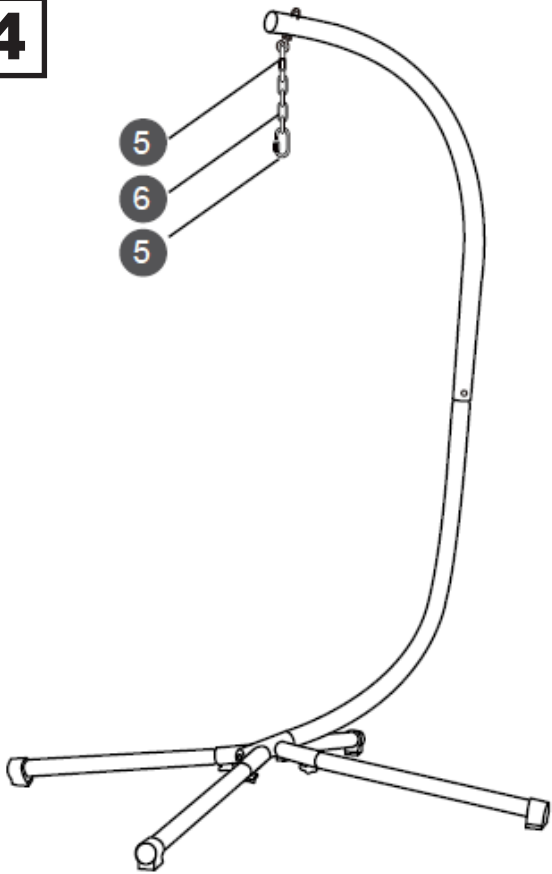


**3**

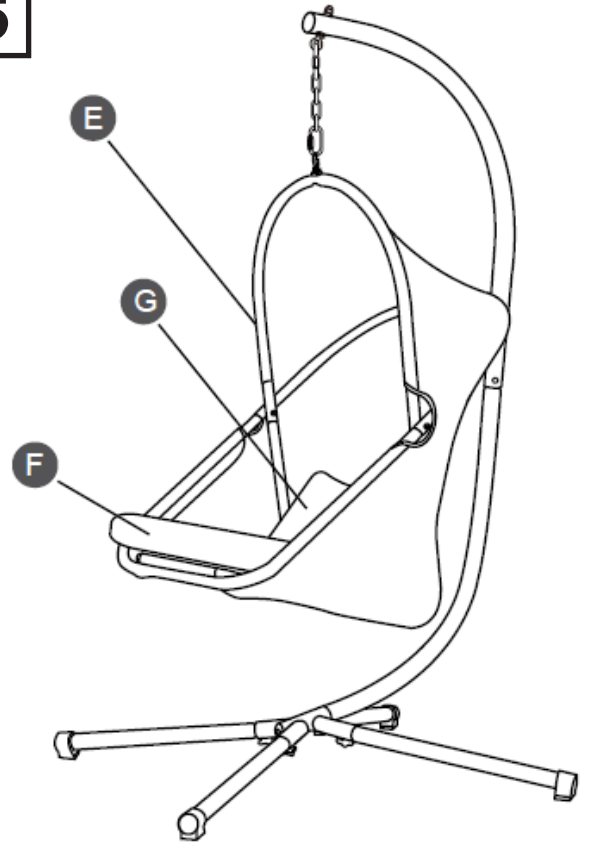


# ASSEMBLY

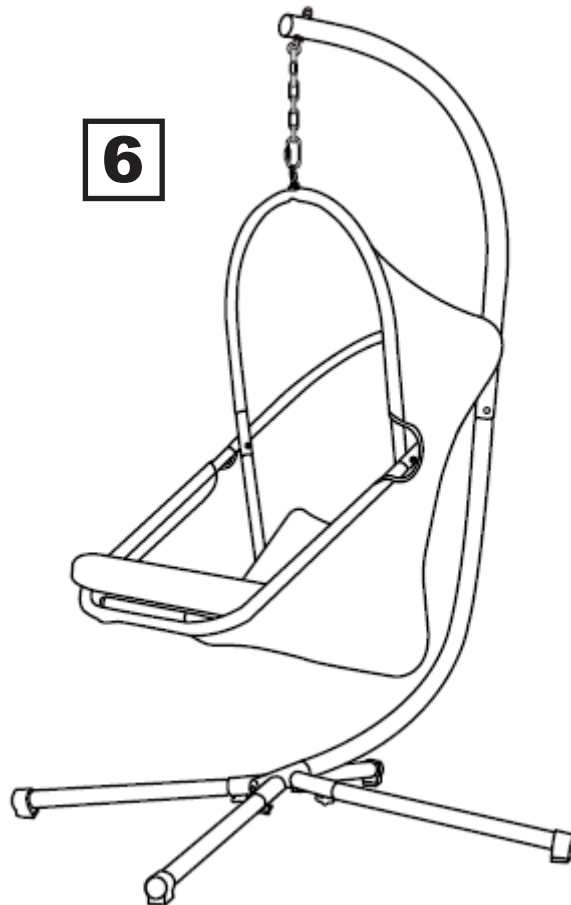
**4**



**5**



**6**



# DISCLAIMER

## PLEASE READ THE FOLLOWING CAREFULLY

THE MANUFACTURER AND/OR DISTRIBUTOR HAS PROVIDED THE PARTS LIST AND ASSEMBLY DIAGRAM IN THIS MANUAL AS A REFERENCE TOOL ONLY. NEITHER THE MANUFACTURER OR DISTRIBUTOR MAKES ANY REPRESENTATION OR WARRANTY OF ANY KIND TO THE BUYER THAT HE OR SHE IS QUALIFIED TO MAKE ANY REPAIRS TO THE PRODUCT, OR THAT HE OR SHE IS QUALIFIED TO REPLACE ANY PARTS OF THE PRODUCT. IN FACT, THE MANUFACTURER AND/OR DISTRIBUTOR EXPRESSLY STATES THAT ALL REPAIRS AND PARTS REPLACEMENTS SHOULD BE UNDERTAKEN BY CERTIFIED AND LICENSED TECHNICIANS, AND NOT BY THE BUYER. THE BUYER ASSUMES ALL RISK AND LIABILITY ARISING OUT OF HIS OR HER REPAIRS TO THE ORIGINAL PRODUCT OR REPLACEMENT PARTS THERETO, OR ARISING OUT OF HIS OR HER INSTALLATION OF REPLACEMENT PARTS THERETO.






**Note: Some parts are listed and shown for illustration purposes only and are not available individually as replacement parts.**

The material in this manual is for informational purposes only. The product(s) it describes are subject to change without prior notice, due to the manufacturer's continuous development program. Barton makes no representations or warranties with respect to this manual or with respect to the products described herein. Barton shall not be liable for any damages, losses, costs or expenses, direct, indirect or incidental, consequential or special, arising out of, or related to the use of this material or the products described herein.



## WARNING



-  **For sitting only. do not stand, jump or swing the chair.**
-  **Chair should be placed on a solid, flat surface at all times.**
-  **Chair should be placed near a wall or other permanent structure.**
-  **Safety string should be in place at all times when using the chair.**
-  **Confirm the chair is assembled correctly. Check for loose or damaged parts. Do not use the chair if any part is damaged or worn. Tighten bolts periodically.**

## Questions, issues or missing parts?

Before returning to your retailer, our customer service team is here to help.



Call Us: 909.628.0880

Email Us: [customer@bartonliving.com](mailto:customer@bartonliving.com)

Hours of Operation: 9am - 3pm PST Monday - Friday

**MADE IN CHINA**