

Barton

Living

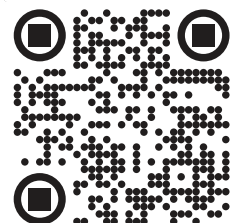
WICKER EGG CHAIR WITH OTTOMAN - BEIGE

ITEM: 98108



**ASSEMBLY
AND USER'S GUIDE**

98108



THIS PAGE INTENTIONALLY LEFT BLANK

TABLE OF CONTENTS

TABLE OF CONTENTS	1
CUSTOMER SERVICE	1
<i>Customer Service and Technical Support</i>	1
IMPORTANT SAFETY INSTRUCTIONS	2
<i>Legends and Symbols</i>	2
GENERAL SAFETY.....	3
CHILD SAFETY.....	4
OVERVIEW (PRODUCT INFORMATION)	5
<i>CHAIR</i>	5
<i>OTTOMAN</i>	5
PACKAGE CONTENTS.....	6
<i>CHAIR</i>	6
<i>OTTOMAN</i>	6
PRODUCT DIMENSIONS.....	7
<i>CHAIR</i>	7
<i>OTTOMAN</i>	7
<i>SPECIFICATION</i>	7
ASSEMBLY	8
CHAIR ASSEMBLY.....	8
OTTOMAN ASSEMBLY.....	10

CUSTOMER SERVICE

If you have any questions about ordering our outdoor furnitures and replacement parts or other furniture products, please feel free to contact us using the following contact information:

Customer Service and Technical Support

Phone: (909) 628-0880

Email: customer@xtremepowerusa.com

Hours of Operation: Monday – Friday, 9AM – 4PM (CST)

IMPORTANT SAFETY INSTRUCTIONS





IMPORTANT SAFETY INSTRUCTIONS

This guide provides instructions for assembling and using the furniture. If you have any questions about the product, please contact Barton.

This guide contains important information about safely assembling and using this product. After assembling, make sure to share this information with the owner/user or leave it with them for their reference.


Legends and Symbols

When you come across the safety-alert symbol on your product or in this manual, pay attention to the following signal words and remain vigilant about the potential for personal injury.

-  **DANGER:** Ignoring these hazards can result in death, severe personal injury, or significant property damage.
-  **WARNING:** Indicates potential hazards that can result in severe personal injury, death, or significant property damage. Ignoring these warnings presents a real danger.
-  **CAUTION:** Indicates potential hazards that can result in minor or moderate personal injury, property damage, or actions that are unpredictable and unsafe. Ignoring these cautions presents a potential hazard.
-  **NOTE:** This label indicates important special instructions that are not directly related to hazards.

USE OF NON-BARTON REPLACEMENT PARTS VOIDS WARRANTY

ATTENTION INSTALLER: This manual contains crucial information regarding the assembly and safe use of this furniture piece. It is essential to provide this manual to the end user of the product. Failure to read and follow all instructions could lead to potential damage or injury.

 Failure to comply with all instructions and warnings may lead to severe bodily injury or damage. This furniture must be assembled and positioned exclusively by someone familiar with proper assembly techniques. Before using this furniture, assemblers and users must carefully review these warnings and all instructions provided in the user's guide. It is essential to leave these warnings and the user's guide with the furniture owner for their reference and safety.

IMPORTANT SAFETY INSTRUCTIONS

GENERAL SAFETY

WARNING

- Review safety instructions carefully to avoid damage or injury. Keep this manual for reference.
- **Maximum Load:** To ensure safety and longevity for both the egg chair and ottoman, follow the manufacturer's weight guidelines.
- **Usage Guidelines:** Intended for seated use only; refrain from standing or jumping on both the chair and ottoman.
- **Setup:** In case of self-assembly, closely follow the manufacturer's guidelines and ensure its sturdiness periodically.
- **Assembly Area:** Set up the chair and ottoman on even ground, ensuring a safe distance from potential risks.
- **Cushion Safety:** Confirm cushions or pads on both the chair and ottoman are firmly attached to stop them from becoming dislodged.
- **Hazard Distance:** Place the chair and ottoman at a safe distance from grills, open flames, or other possible dangers.
- **Regular Maintenance:** Periodically inspect the chair and ottoman for wear, damage, or loose components, ensuring to secure any parts that may be coming undone. Make it a routine to thoroughly examine for any signs of deterioration or wicker unraveling.
- **Sharp Object Advisory:** Make certain the vicinity of the chair and ottoman is devoid of sharp objects that could harm the wicker.
- **Cleaning Advisory:** Opt for cleaning products specifically designed for wicker to prevent unintentional harm or discoloration.
- **Safekeeping:** In times of prolonged inactivity or during the off-season, keep in a cool, dry place.
- **Cover Usage:** Think about using protective covers when not in use to enhance the product's longevity.
- **Adverse Weather Advice:** Should bad weather occur, think about relocating the egg chair and ottoman to shielded spots for protection.
- **Water Accumulation Notice:** After weather events or cleaning, ensure the seating areas remain free from accumulated water to mitigate slipping risks.
- **Sun Exposure Warning:** Extensive sunlight can degrade the wicker's integrity. Utilize protective sheaths or position in shaded spots when inactive.

IMPORTANT SAFETY INSTRUCTIONS

CHILD SAFETY

DANGER

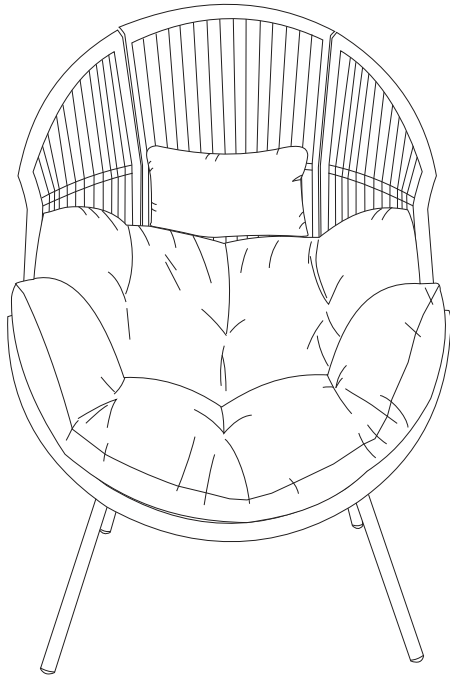
- **Supervision Required:** Always supervise children when they are near or using the wicker egg chair and ottoman.
- **Climbing Warning:** Avoid letting children ascend the egg chair or ottoman to prevent potential falls or tipping incidents.
- **Finger Safety:** Keep an eye on children to prevent them from inserting fingers or limbs into wicker openings.
- **Seating Guidance:** Direct children to sit steadily in the chair, preventing sudden movements that might cause the chair to tilt or fall.
- **Water Accumulation Notice:** After weather events or cleaning, ensure the seating areas remain free from accumulated water to mitigate slipping risks.
- **Cushion Safety:** Confirm cushions or pads on both the chair and ottoman are firmly attached to stop them from becoming dislodged.

OVERVIEW (PRODUCT INFORMATION)

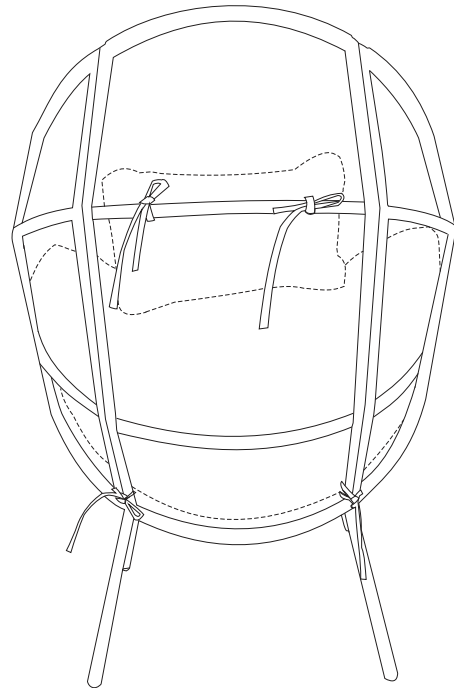
OVERVIEW (PRODUCT INFORMATION)

CHAIR

FRONT VIEW

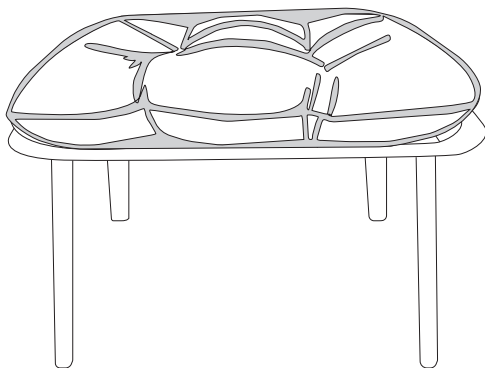


REAR VIEW

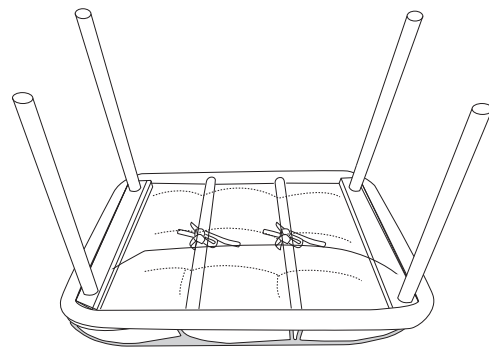


OTTOMAN

TOP VIEW



BOTTOM VIEW



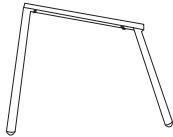
OVERVIEW (PRODUCT INFORMATION)

PACKAGE CONTENTS

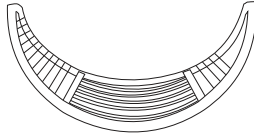
CHAIR



PART#: A
1 PC(S)



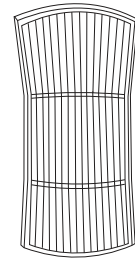
PART#: B
1 PC(S)



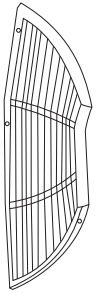
PART#: C
1 PC(S)



PART#: D
1 PC(S)



PART#: E
1 PC(S)



PART#: F
1 PC(S)



PART#: G
10 PC(S)



PART#: H
28 PC(S)



M6 X 55MM
PART#: I
6 PC(S)



M6 X 62MM
PART#: J
4 PC(S)



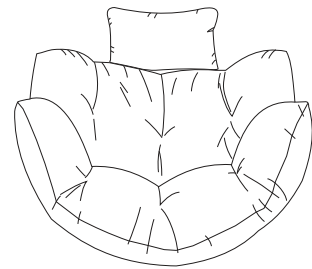
M6 X 35MM
PART#: K
8 PC(S)



PART#: L
1 PC(S)



PART#: M
1 PC(S)

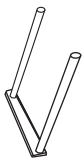


PART#: N
1 PC(S)

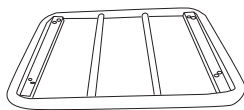
OTTOMAN



PART#: O
1 PC(S)



PART#: P
1 PC(S)



PART#: Q
1 PC(S)



PART#: R
8 PC(S)



PART#: S
8 PC(S)



PART#: T
1 PC(S)

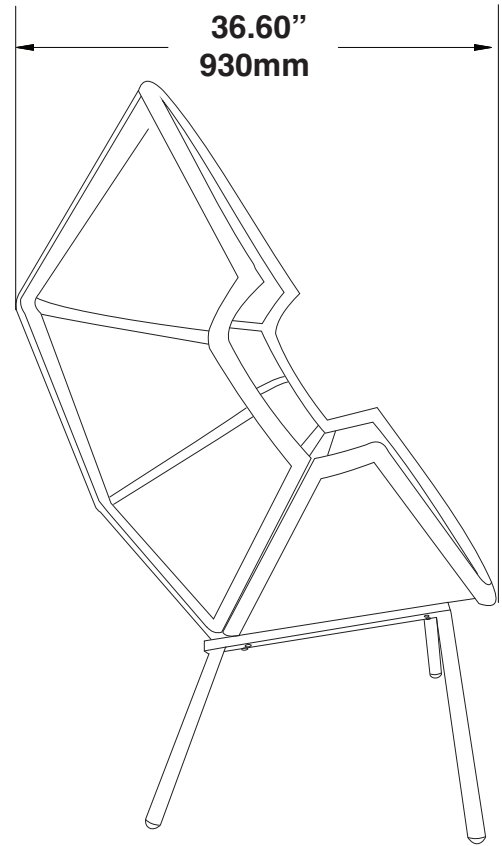
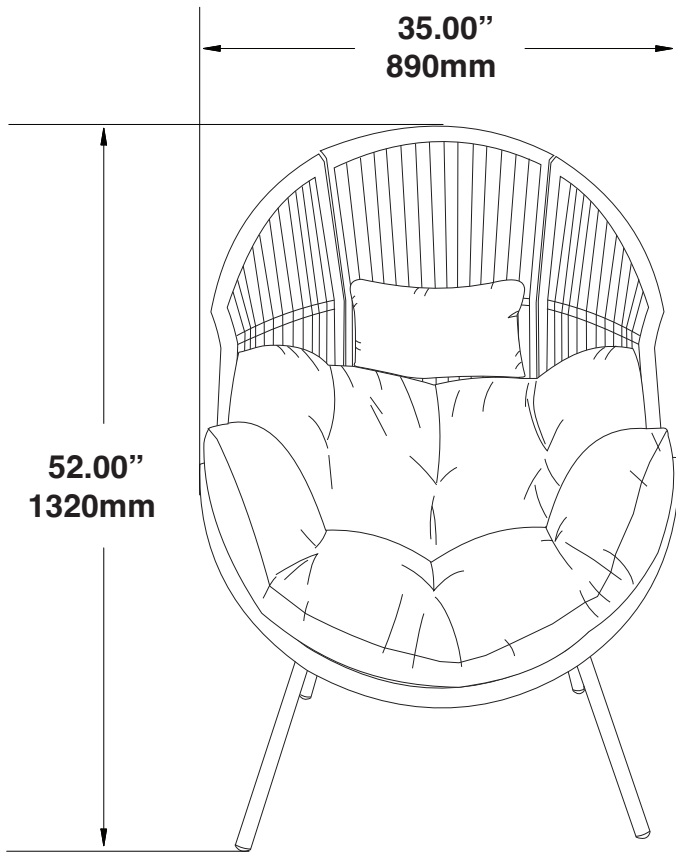


PART#: U
4 PC(S)

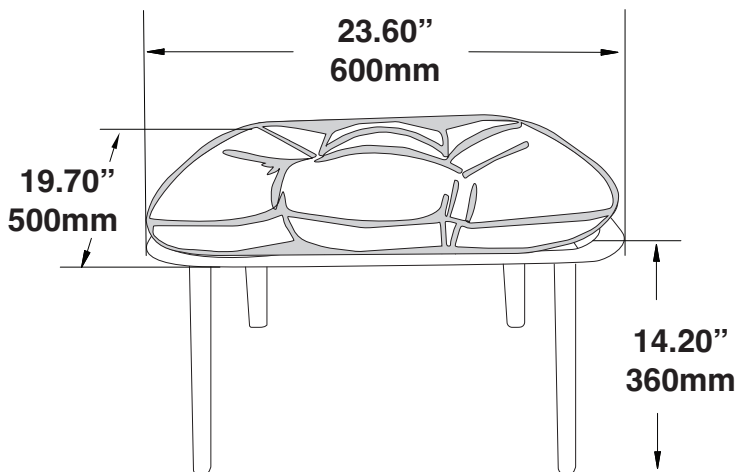
OVERVIEW (PRODUCT INFORMATION)

PRODUCT DIMENSIONS

CHAIR



OTTOMAN



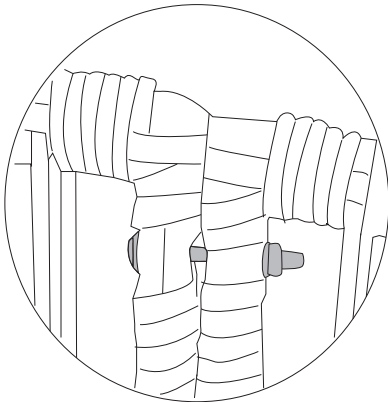
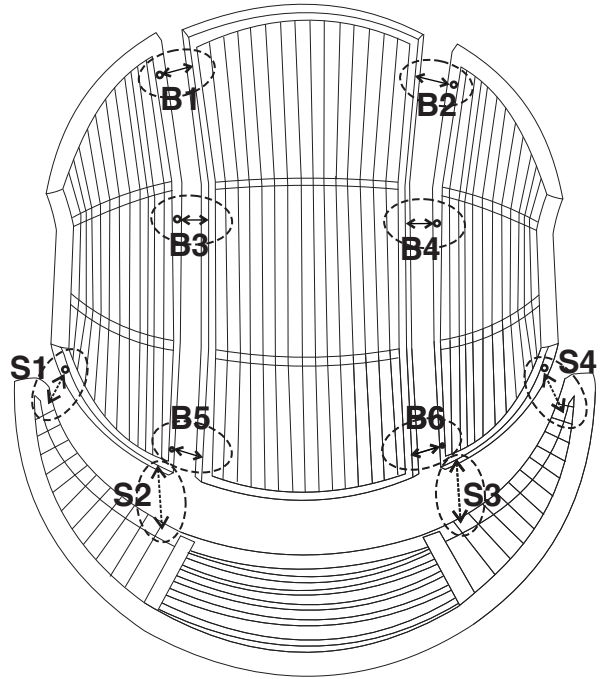
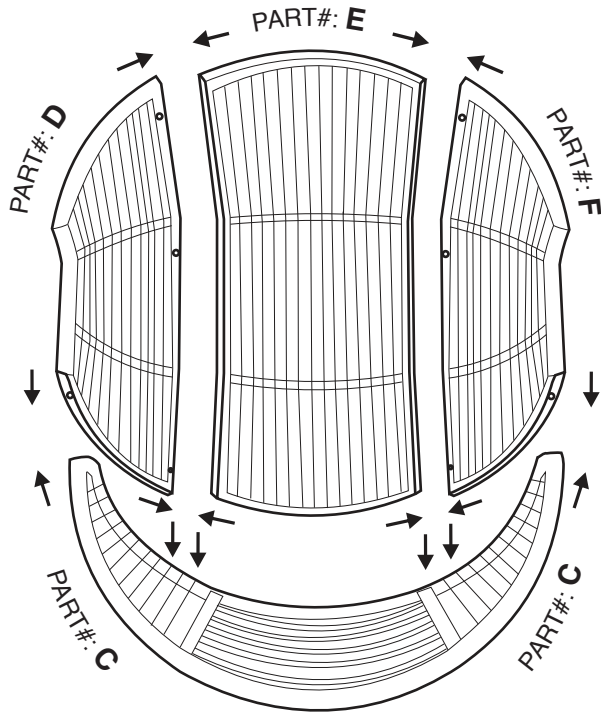
SPECIFICATIONS

Model	98108
Color	Beige
Material:	
Frame	Steel
Surface	PE Wicker
Fabric	Polyester
Product Weight:	
Chair	66 lbs (30 kg)
Ottoman	9 lbs (4 kg)
Weight Capacity:	
Chair	353 lbs (160 kg)
Ottomam	298 lbs (90 kg)

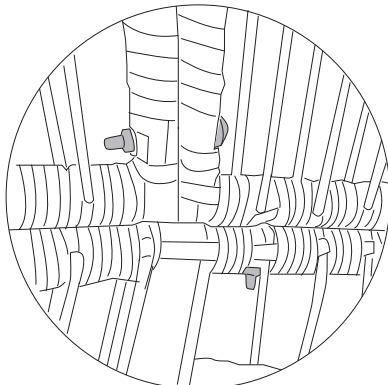
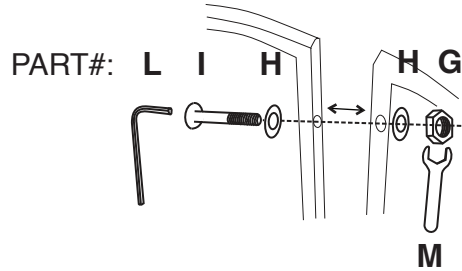
ASSEMBLY

ASSEMBLY

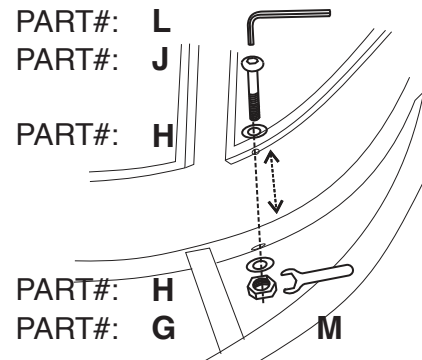
CHAIR ASSEMBLY



CONNECTION: B1, B2, B3, B4, B5, B6

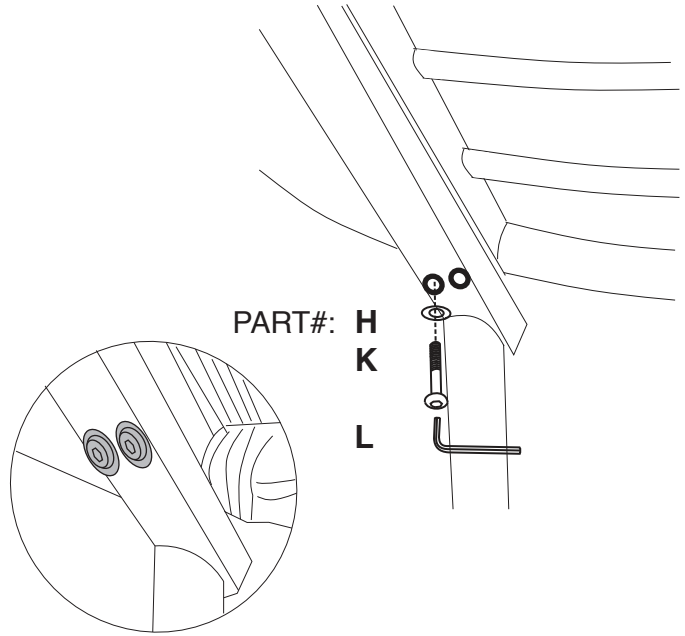
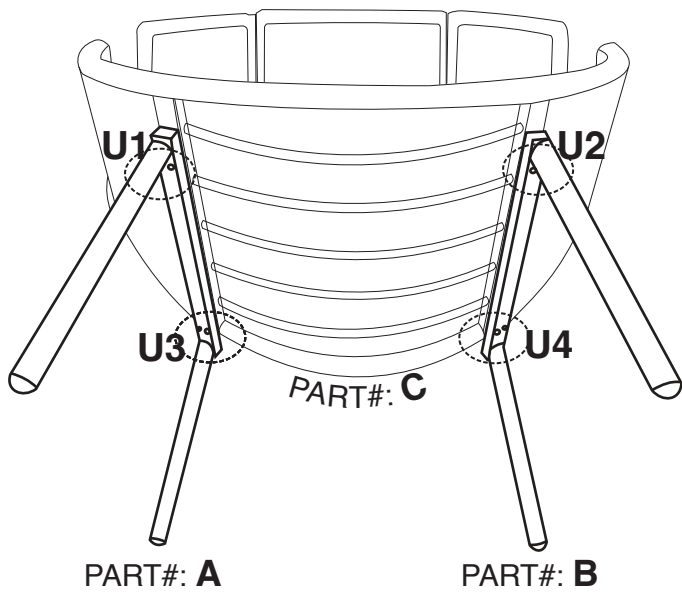


CONNECTION: S1, S2, S3, S4

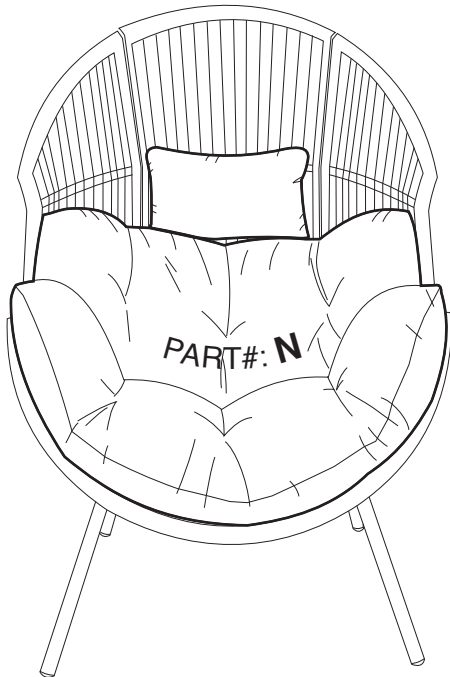


ASSEMBLY

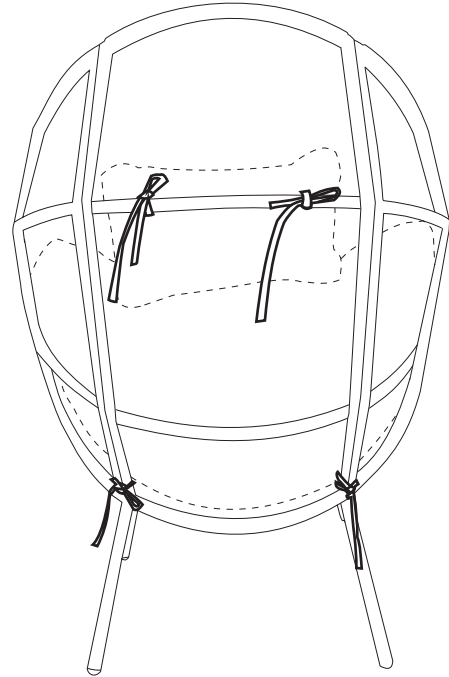
CHAIR ASSEMBLY (CONTINUED)



FRONT VIEW

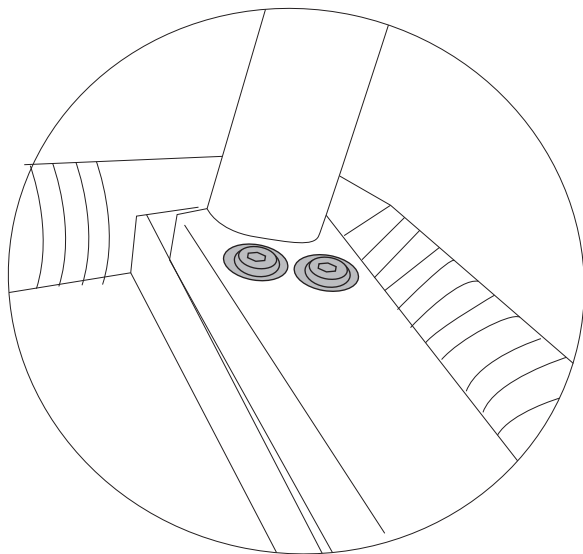
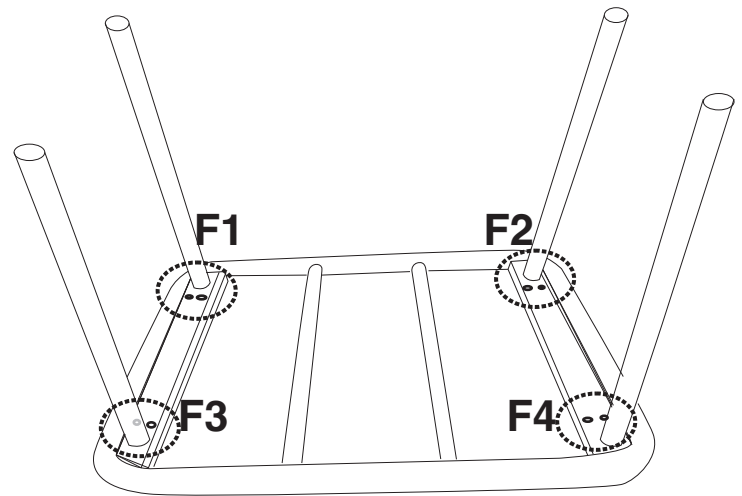
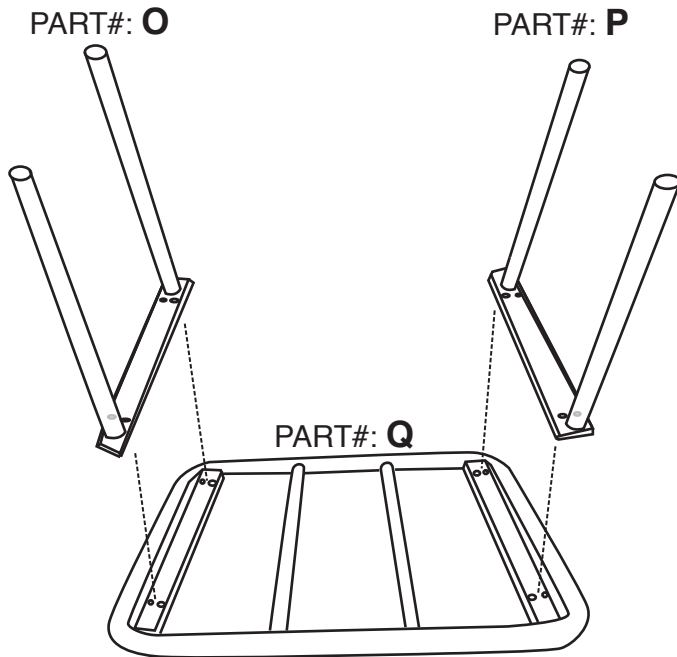


REAR VIEW

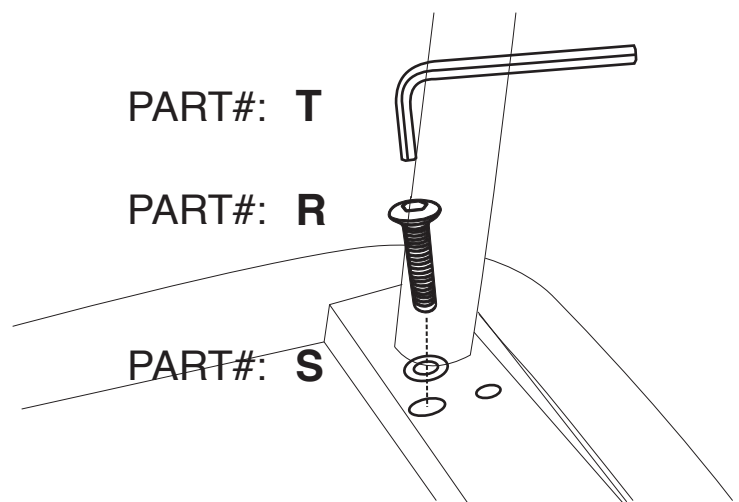


ASSEMBLY

OTTOMMAN ASSEMBLY



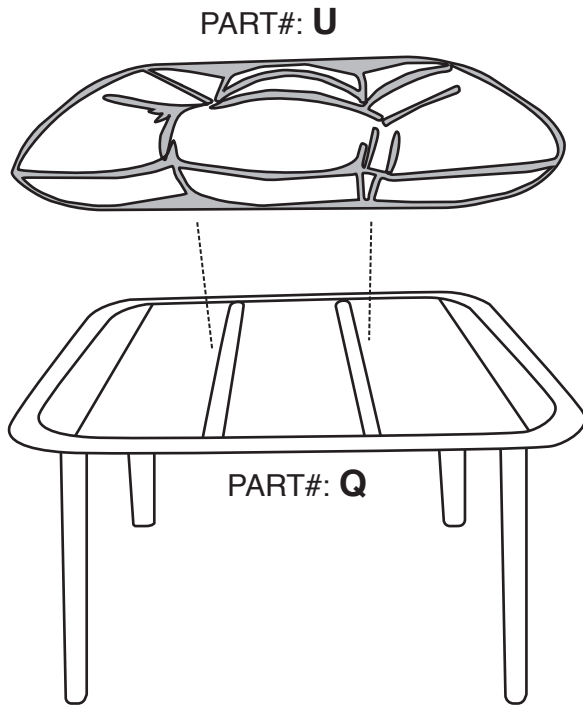
CONNECTION: F1, F2, F3, F4



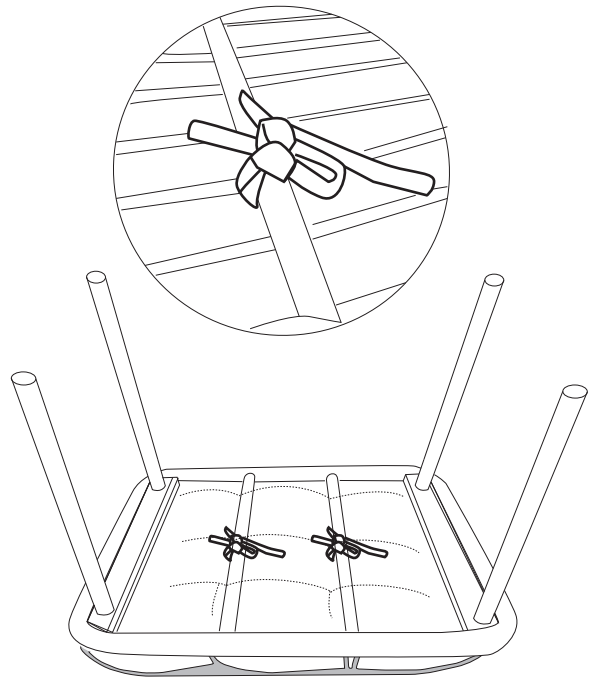
ASSEMBLY

OTTOMMAN ASSEMBLY (CONTINUED)

TOP VIEW



BOTTOM VIEW



COMPLETED ASSEMBLY VIEW

