



## FORKLIFT SEAT

ITEM: 99031 & 99033



### OWNER'S MANUAL AND SAFETY INSTRUCTIONS

SAVE THIS MANUAL: KEEP THIS MANUAL FOR SAFETY WARNINGS, PRECAUTIONS, ASSEMBLY, OPERATING, INSPECTION, MAINTENANCE AND CLEANING PROCEDURES. WRITE THE PRODUCT'S SERIAL NUMBER ON THE BACK OF THE MANUAL NEAR THE ASSEMBLY DIAGRAM (OR MONTH AND YEAR OF PURCHASE IF PRODUCT HAS NO NUMBER)

FOR QUESTIONS PLEASE CALL OUR CUSTOMER SUPPORT: 909.628.0880 MON-FRI 9AM TO 3PM PST



## GENERAL SAFETY WARNINGS

Read all safety warnings and instructions. Failure to follow the warnings and instructions may result in electric shock, fire and/or serious injury. Save all warnings and instructions for future reference.

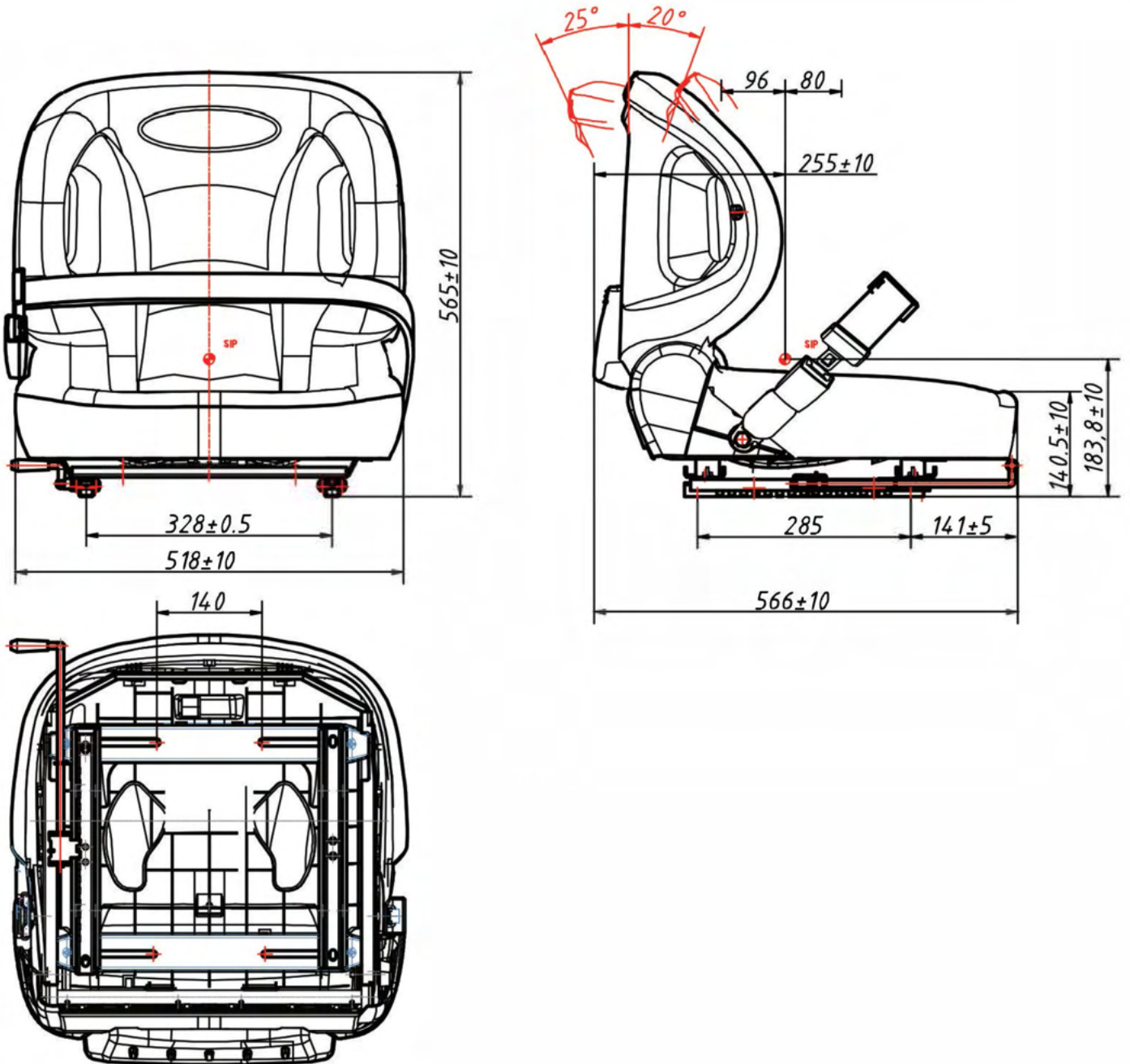
The warnings, precautions, and instructions discussed in this instruction manual cannot cover all possible conditions and situations that may occur. It must be understood by the operator that common sense and caution are factors which cannot be built into this product, but must be supplied by the operator. Read carefully and understand all **ASSEMBLY AND OPERATION INSTRUCTIONS** before operating. Failure to follow the safety rules and other basic safety precautions may result in serious personal injury.

- The driver seat may not be adjusted while the forklift is in operation
- During inspection the screw connections have to be checked to make sure the fit is correct.
- The driver seat may only be installed or repaired by specialists under consideration of specific regulations
- Maintain the life and safety of your forklift seat by doing periodic maintenance

 **SAVE THESE WARNINGS**

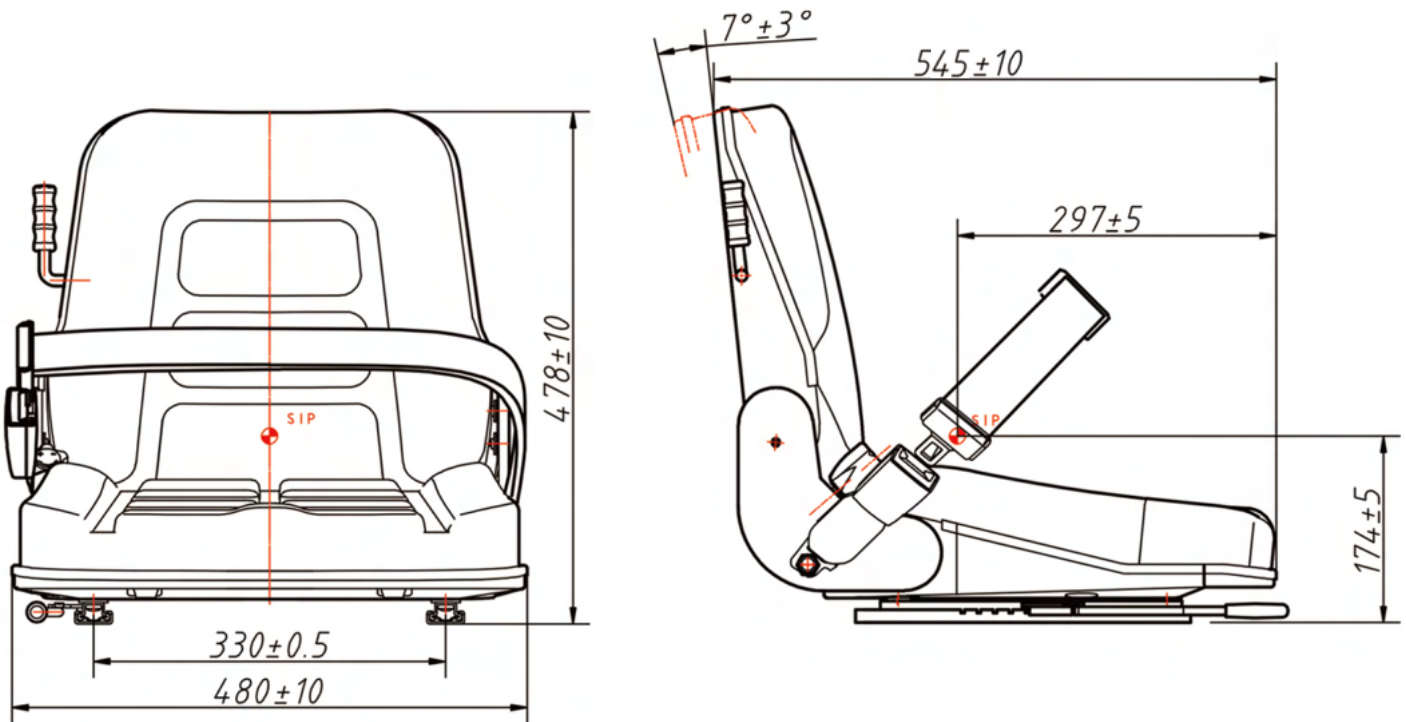
# SPECIFICATIONS

SPECIFICATIONS						MOVABLE MOUNTING SIZE	COVER MATERIAL
FORWARD BACKWARD ADJUSTMENT		BACKREST ANGLE ADJUSTMENT		RAIL ROUNTING SIZE			
mm	in	Forward	Backward	mm	in	Yes	Black PVC
176	7	20°	25°	330*285	13 x 11.2		



# SPECIFICATIONS

<b>SPECIFICATIONS</b>						
FORWARD BACKWARD ADJUSTMENT		BACKREST ANGLE ADJUSTMENT	RAIL MOUNTING SIZE		MOVABLE MOUNTING SIZE	WEIGHT ADJUSTMENT
mm	in	degree	mm	in	Yes	Yes, three options
150	6	$8^{\circ}$	328*285	13*11		



# OPERATION

**SEAT ADJUSTMENT:** Lift up the handle, move forward and backward to adjust the seat.



Once adjusted to the final position, push the handle down and the rail will lock.



## BACKREST ADJUSTMENT

The backrest adjustment handle is on the left side of seat. Pull up the handle and lean back to adjust the backrest.



Once adjusted to final position, push handle down and recliner will lock.



## USING THE SEATBELT

Insert the belt into clasp to lock the seat belt.



Press the red button to unlock the seat belt.



# OPERATION

## SEAT ADJUSTMENT

Pull the handle, move forward and backward to adjust seat

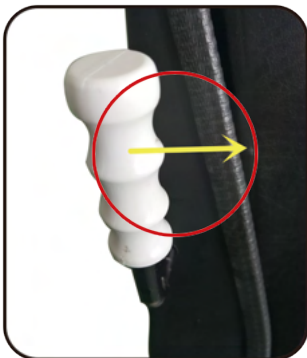


Once adjusted to final position let it disentangle gradually, the slide will lock



## WEIGHT ADJUSTMENT

Three options press the handle down, choose status according to your weight and you will feel more comfortable



Once adjusted to final position put your hand down



## USING THE SEATBELT

Pull the belt by hand from left side and buckle into clasp to lock the seat belt



Press red button to unlock seat belt and belt will retract to right side of seat





# DISCLAIMER

## PLEASE READ THE FOLLOWING CAREFULLY

THE MANUFACTURER AND/OR DISTRIBUTOR HAS PROVIDED THE PARTS LIST AND ASSEMBLY DIAGRAM IN THIS MANUAL AS A REFERENCE TOOL ONLY. NEITHER THE MANUFACTURER OR DISTRIBUTOR MAKES ANY REPRESENTATION OR WARRANTY OF ANY KIND TO THE BUYER THAT HE OR SHE IS QUALIFIED TO MAKE ANY REPAIRS TO THE PRODUCT, OR THAT HE OR SHE IS QUALIFIED TO REPLACE ANY PARTS OF THE PRODUCT. IN FACT, THE MANUFACTURER AND/OR DISTRIBUTOR EXPRESSLY STATES THAT ALL REPAIRS AND PARTS REPLACEMENTS SHOULD BE UNDERTAKEN BY CERTIFIED AND LICENSED TECHNICIANS, AND NOT BY THE BUYER. THE BUYER ASSUMES ALL RISK AND LIABILITY ARISING OUT OF HIS OR HER REPAIRS TO THE ORIGINAL PRODUCT OR REPLACEMENT PARTS THERETO, OR ARISING OUT OF HIS OR HER INSTALLATION OF REPLACEMENT PARTS THERETO.

**Record Product's Serial Number Here:** \_\_\_\_\_

**Note:** If product has no serial number, record month and year of purchase instead.

**Note:** Some parts are listed and shown for illustration purposes only and are not available individually as replacement parts.



**SAVE THESE INSTRUCTIONS.**

## Questions, problems, missing parts?



Before returning to your retailer, our exceptional customer service is here to help.

Call Us: 909.628.0880

Email Us: [customer@xtremepowerusa.com](mailto:customer@xtremepowerusa.com)

Hours of Operation: 9am - 4pm (Monday - Friday)

**PRODUCT MADE IN CHINA**