

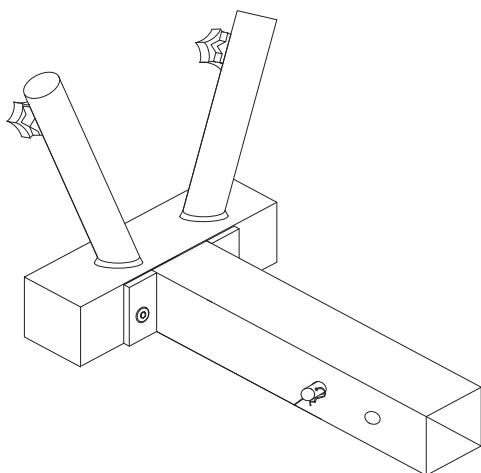


UNIVERSAL HITCH MOUNT FLAG POLE HOLDER

FOR 2" HITCH RECEIVER

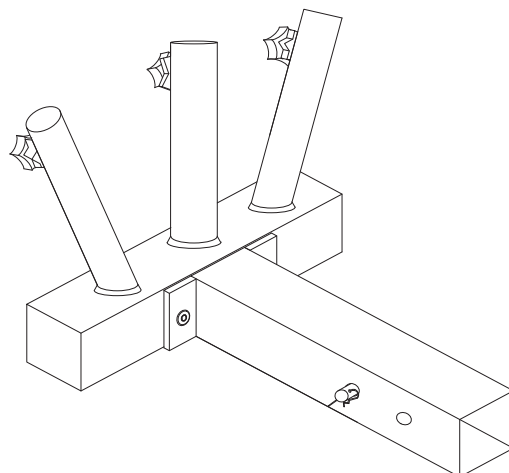
SKU: 26512

2 FLAG POLE HOLDER



SKU: 26513

3 FLAG POLE HOLDER



ASSEMBLY AND USER'S GUIDE

26512



26513

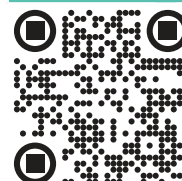


TABLE OF CONTENTS

TABLE OF CONTENTS	1
IMPORTANT SAFETY INSTRUCTIONS	2
<i>Legends and Symbols</i>	2
PRODUCT INFORMATION	3
PACKAGING CONTENTS.....	3
INTRODUCTION.....	4
ASSEMBLY	5
ASSEMBLY INSTRUCTIONS.....	5
Step 1: Hitch Receiver And Flag Pole Holder Attachment.....	5
Step 2: Adjustable Knob Attachment.....	5
Step 3: Hitch Mount Attachment.....	6
Step 4: Fix Pin Attachment.....	6
Step 5: Wave Pin Attachment.....	7
Completed.....	7
REPLACEMENT PARTS	8
<i>Parts Diagram</i>	8
DISCLAIMER	10
<i>Disclaimer</i>	10
<i>Customer Service</i>	10

IMPORTANT SAFETY INSTRUCTIONS

IMPORTANT SAFETY INSTRUCTIONS


This guide provides instructions for installing and using the UNIVERSAL HITCH MOUNT FLAG POLE HOLDER . If you have any questions about the product, please contact XtremepowerUS.


This guide contains important information about safely installing and operating this product. After installation, make sure to share this information with the owner/operator or leave it with them for their reference.


Legends and Symbols

When you come across the safety-alert symbol on the product or in this manual, pay attention to the following signal words and remain vigilant about the potential for personal injury.

 **DANGER:** Ignoring these hazards can result in death, severe personal injury, or significant property damage.


 **WARNING:** Indicates potential hazards that can result in severe personal injury, death, or significant property damage. Ignoring these warnings presents a real danger.


 **CAUTION:** Indicates potential hazards that can result in minor or moderate personal injury, property damage, or actions that are unpredictable and unsafe. Ignoring these cautions presents a potential hazard.

 **NOTE:** This label indicates important special instructions that are not directly related to hazards.

USE OF NON-XTREMEPOWERUS REPLACEMENT PARTS VOIDS WARRANTY

ATTENTION INSTALLER: This manual contains vital information regarding the installation, operation, and safe use of this product. It is essential to provide this manual to the end user of the product. Failure to read and follow all instructions could lead to severe injuries.

 **DANGER** Failure to comply with all instructions and warnings may lead to severe bodily injury or even death. For optimal safety and functionality, it is advisable to have the product installed and serviced by a certified service professional. Prior to using this product, installers, operators, and owners must carefully review these warnings and all instructions provided in the owner's manual. It is essential to leave these warnings and the owner's manual with the owner for their reference and safety.

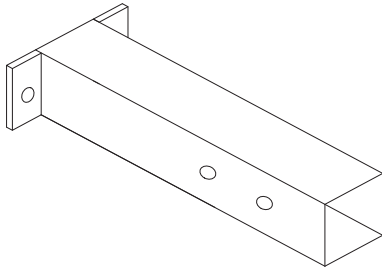
 **WARNING** For safety reasons, children should not be allowed to use this product. Packing materials and plastic bags are not toys. Keep them away from children to prevent the risk of suffocation.

PRODUCT INFORMATION

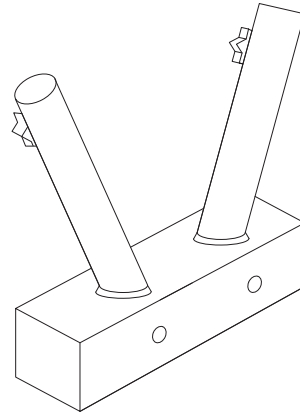
PRODUCT INFORMATION

PACKAGING CONTENTS

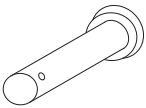
SKU 26512



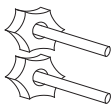
PARTS # 1
2" HITCH
1 PC(S)



PARTS # 2
2-FLAG POLE HOLDER
1 PC(S)



PARTS # 3
FIX PIN
1 PC(S)



M8 x 30
PARTS # 4
ADJUSTABLE KNOB
2 PC(S)



M8
PARTS # 5
NUT
2 PC(S)



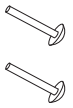
PARTS # 6
WAVE PIN
1 PC(S)



M10
PARTS # 7
LOCK NUT
2 PC(S)

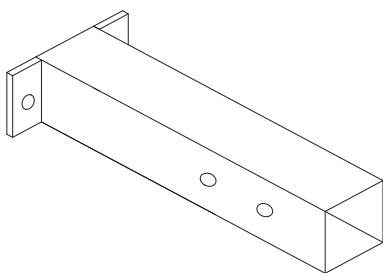


M10
PARTS # 8
WASHER
2 PC(S)

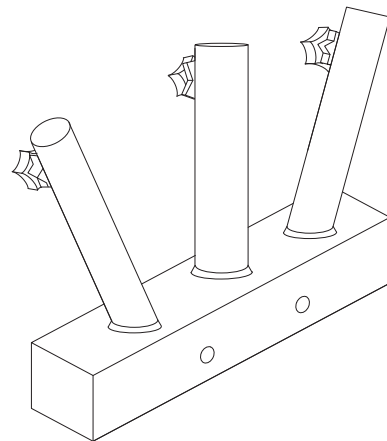


M10 x 65
PARTS # 9
BOLT
2 PC(S)

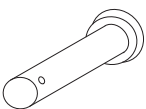
SKU 26513



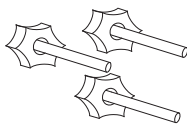
PARTS # 1
2" HITCH
1 PC(S)



PARTS # 2
3-FLAG POLE HOLDER
1 PC(S)



PARTS # 3
FIX PIN
1 PC(S)



M8 x 30
PARTS # 4
ADJUSTABLE KNOB
3 PC(S)



M8
PARTS # 5
NUT
3 PC(S)



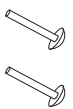
PARTS # 6
WAVE PIN
1 PC(S)



M10
PARTS # 7
LOCK NUT
2 PC(S)



M10
PARTS # 8
WASHER
2 PC(S)



M10 x 65
PARTS # 9
BOLT
2 PC(S)

PRODUCT INFORMATION

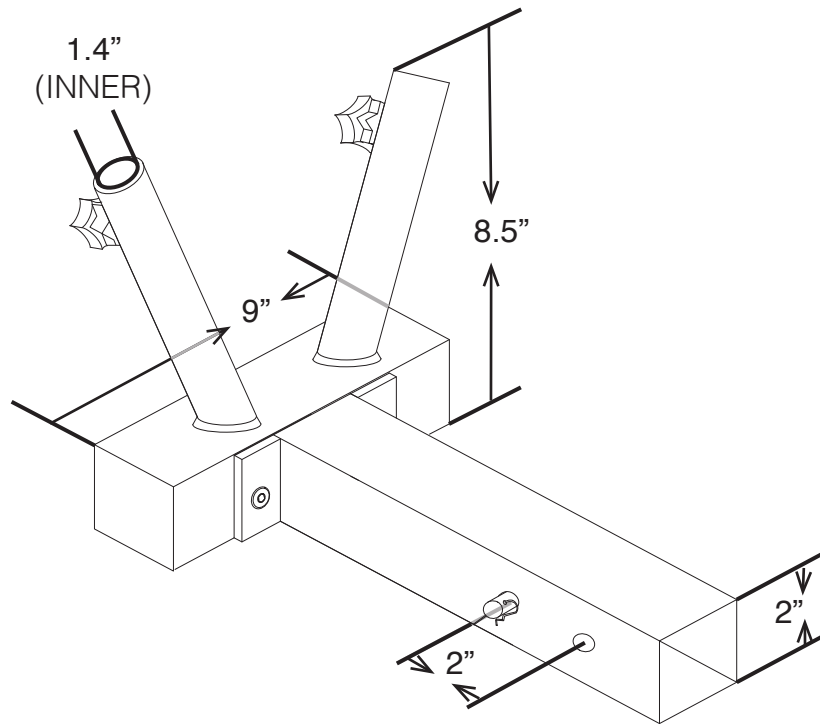
INTRODUCTION

StarkUSA Universal Hitch Mount Flag Pole Holder is engineered for secure and flexible flag display on vehicles with a 2" hitch receiver. Perfect for events, parades, or stationary flag-flying, this holder maintains flag stability and visibility.

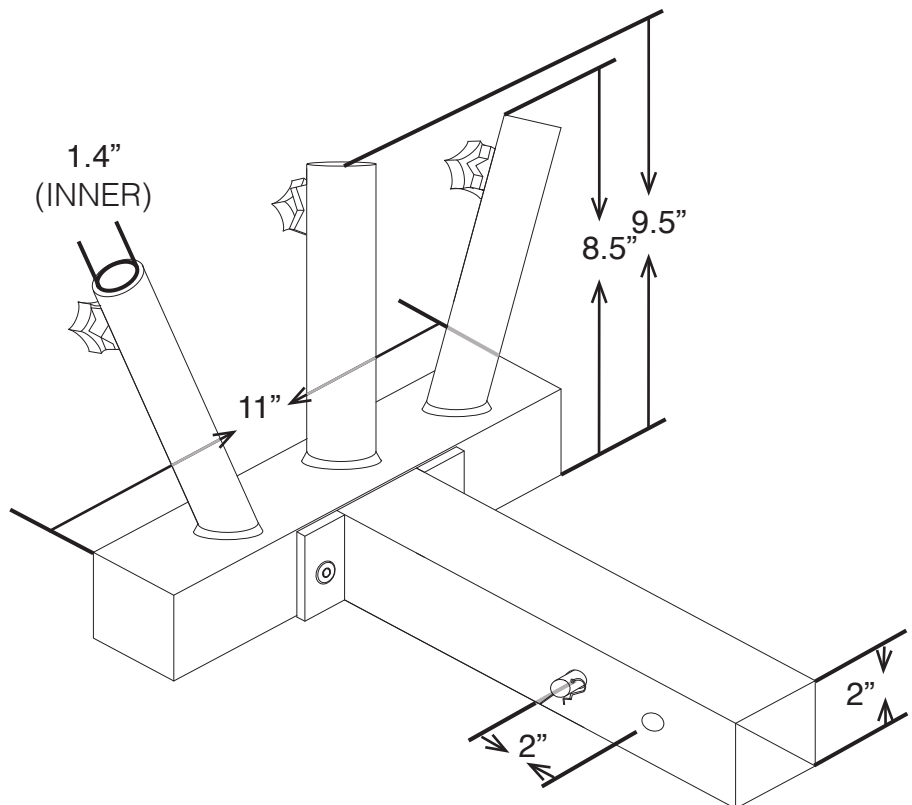
It accommodates various flag sizes and styles, keeping the flag anchored during movement. The installation process is simple, fitting most standard 2" hitch receivers, which makes this holder a key accessory for displaying flags.

DIMENSIONS

SKU 26512



SKU 26513



ASSEMBLY

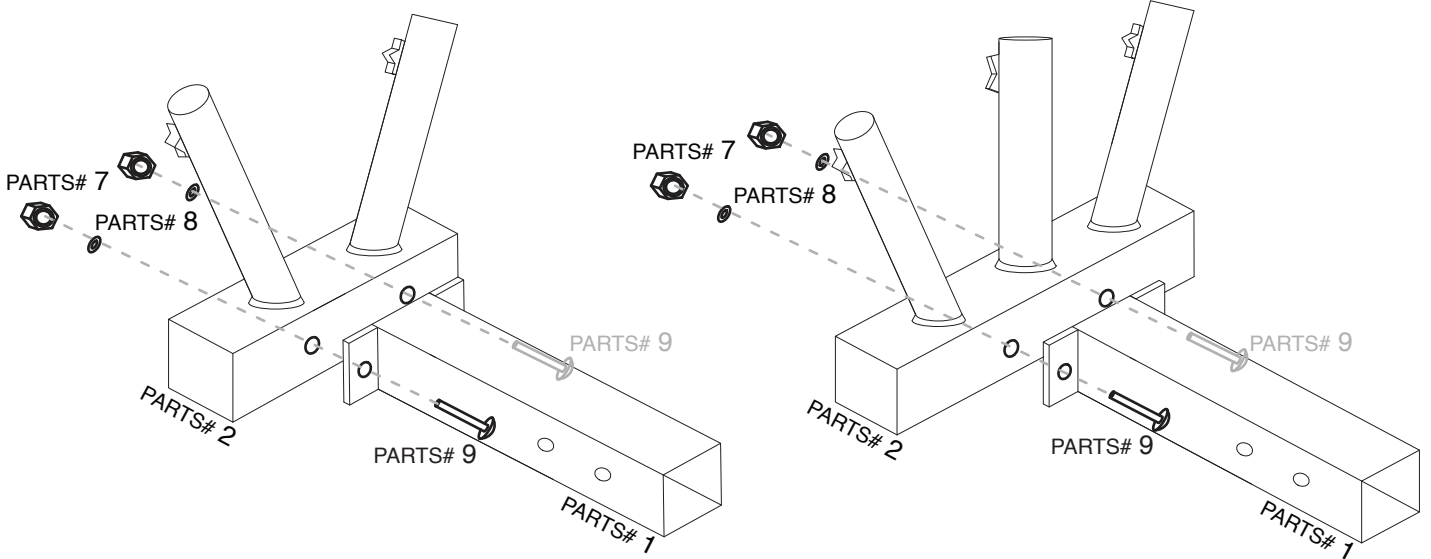
ASSEMBLY

ASSEMBLY INSTRUCTIONS

Step 1: Hitch Receiver And Flag Pole Holder Attachment

SKU: 26512

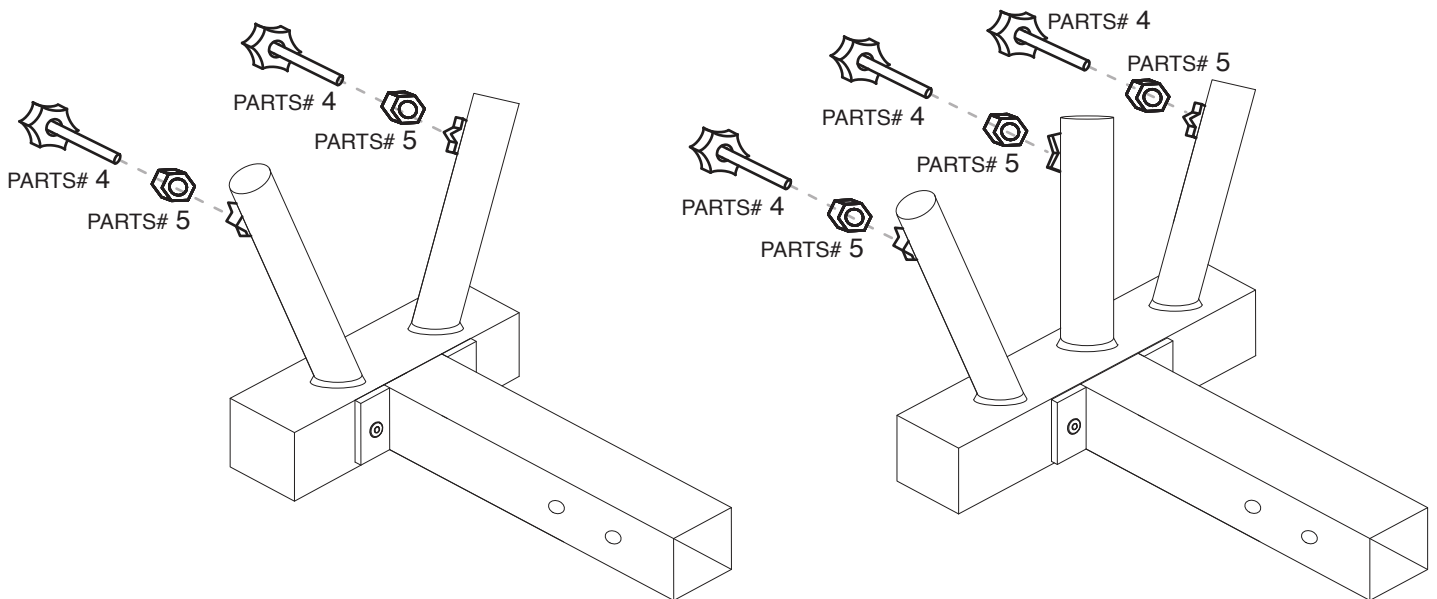
SKU: 26513



Step 2: Adjustable Knob Attachment

SKU: 26512

SKU: 26513

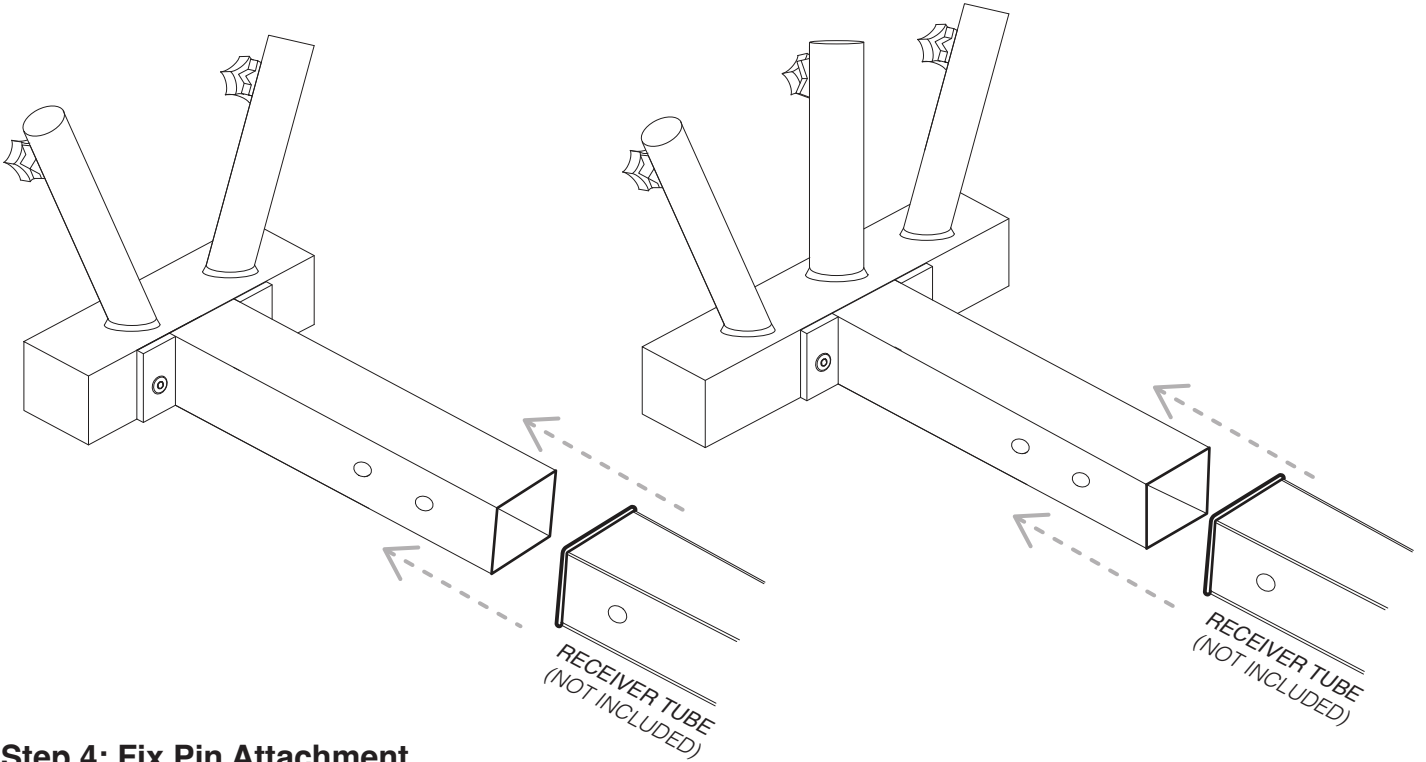


ASSEMBLY

Step 3: Hitch Mount Attachment

SKU: 26512

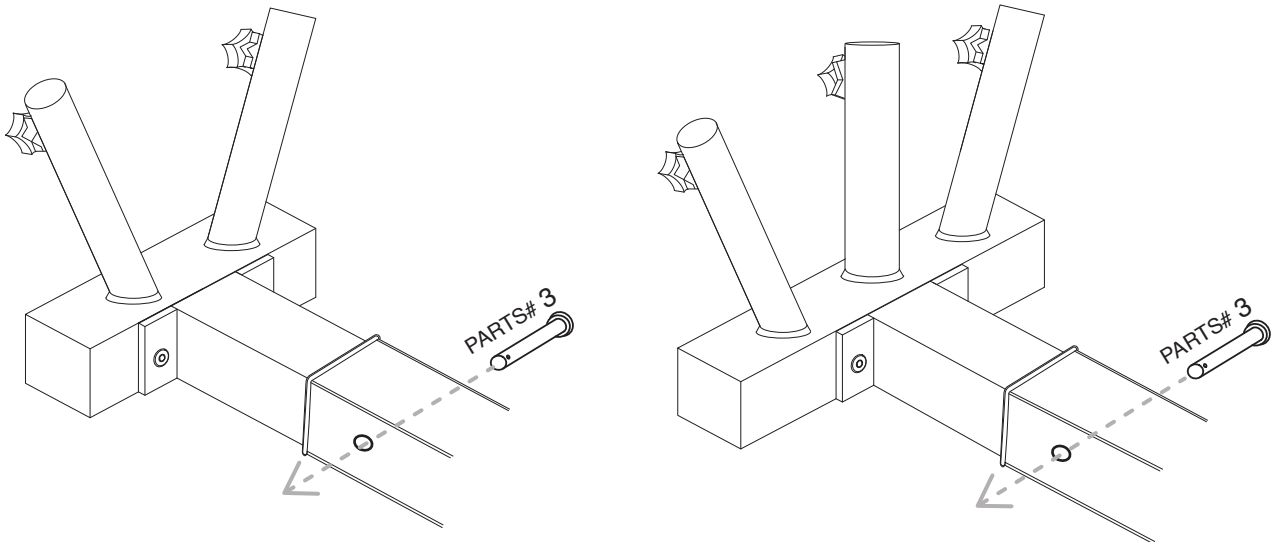
SKU: 26513



Step 4: Fix Pin Attachment

SKU: 26512

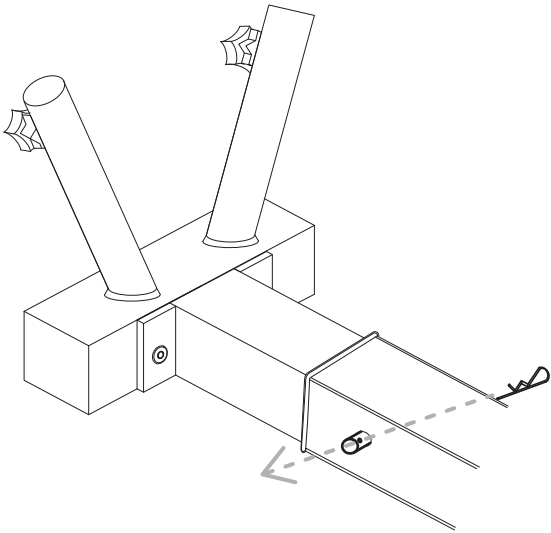
SKU: 26513



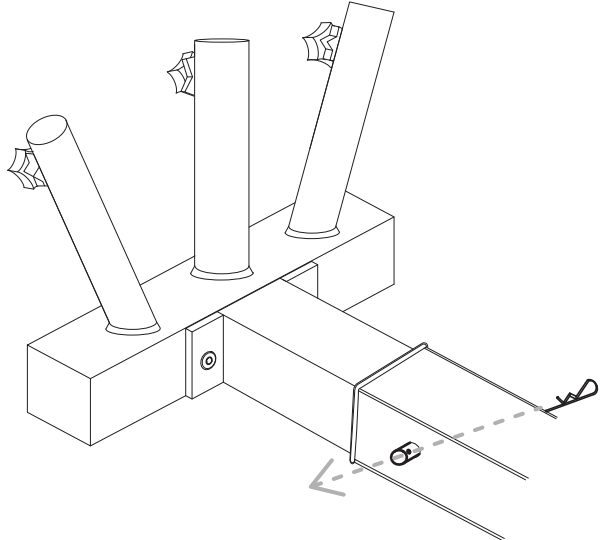
ASSEMBLY

Step 5: Wave Pin Attachment

SKU: 26512

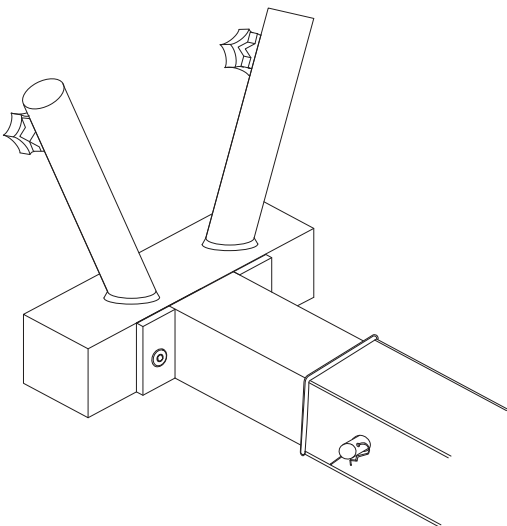


SKU: 26513

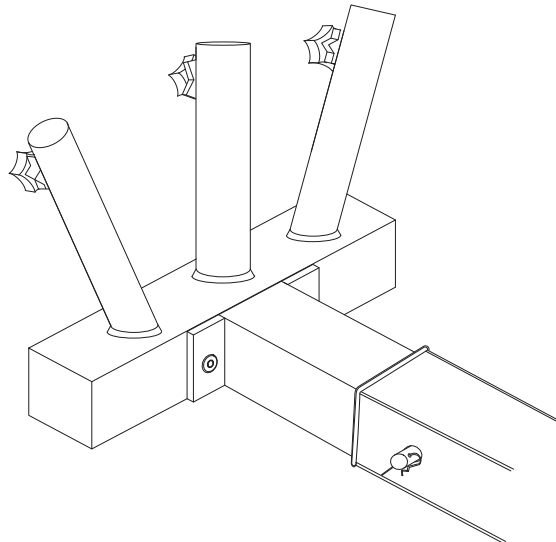


Completed

SKU: 26512



SKU: 26513

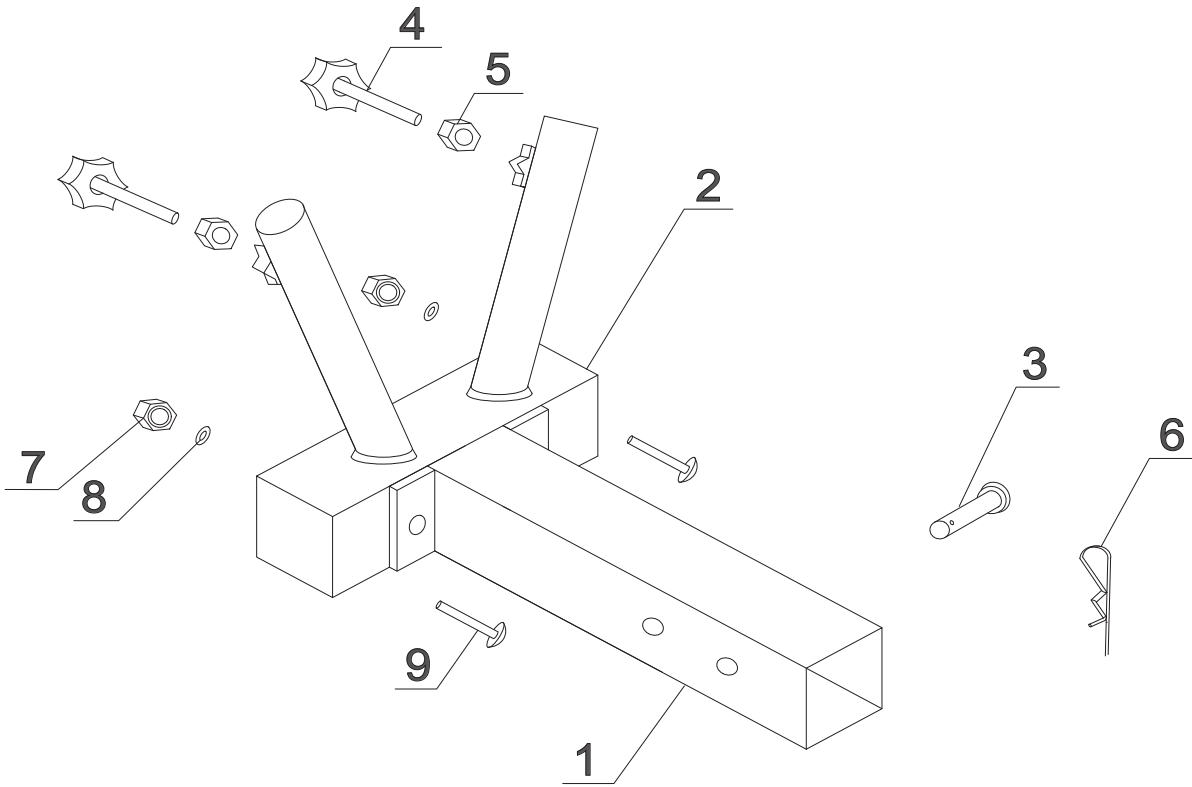


REPLACEMENT PARTS

REPLACEMENT PARTS

PARTS DIAGRAM

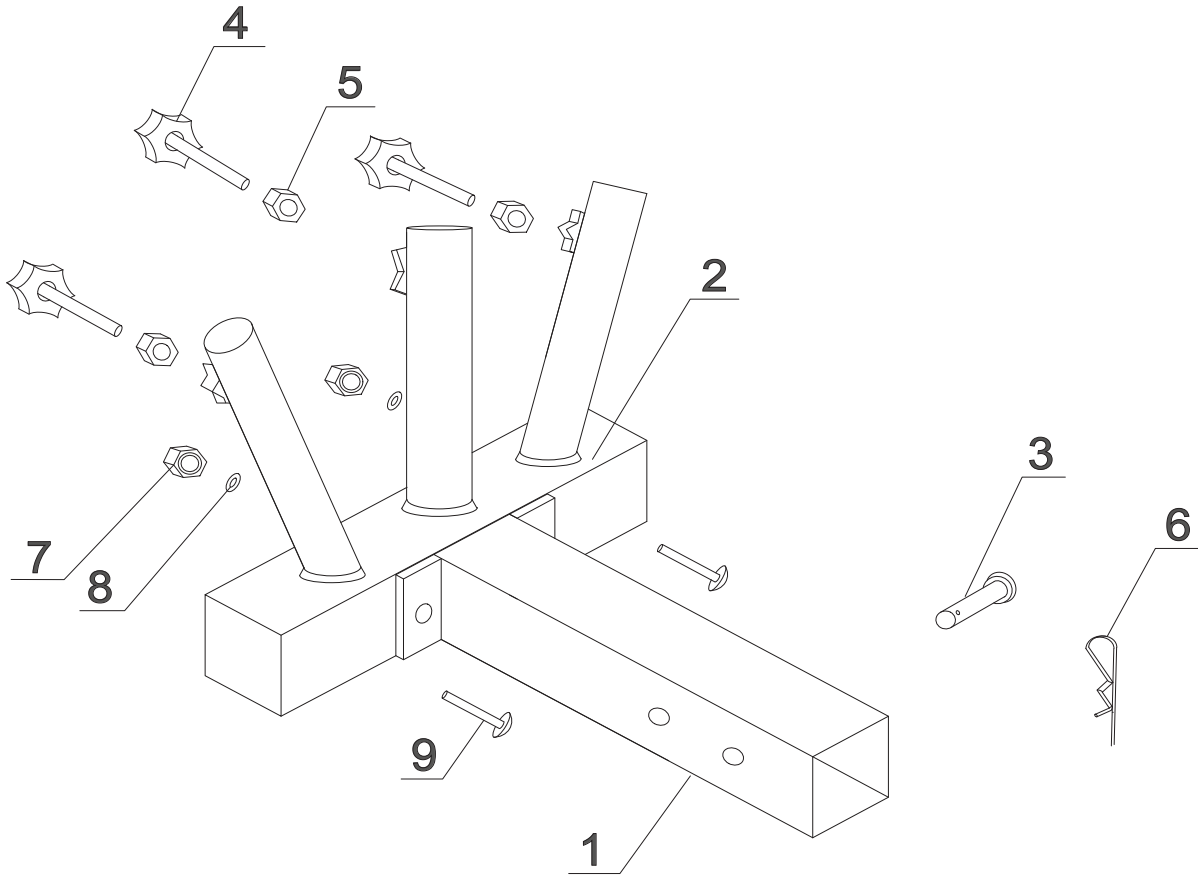
SKU: 26512



ITEM	DESCRIPTION	QTY	ITEM	DESCRIPTION	QTY	ITEM	DESCRIPTION	QTY
1	2" HITCH RECEIVER	1	4	ADJUSTABLE KNOB M8 x 30	2	7	LOCK NUT M10	2
2	2-FLAG POLE HOLDER	1	5	NUT M8	2	8	WASHER M10	2
3	FIX PIN	1	6	WAVE PIN	1	9	BOLT M10 x 65	2

REPLACEMENT PARTS

SKU: 26513



ITEM	DESCRIPTION	QTY	ITEM	DESCRIPTION	QTY	ITEM	DESCRIPTION	QTY
1	2" HITCH RECEIVER	1	4	ADJUSTABLE KNOB M8 x 30	3	7	LOCK NUT M10	2
2	3-FLAG POLE HOLDER	1	5	NUT M8	3	8	WASHER M10	2
3	FIX PIN	1	6	WAVE PIN	1	9	BOLT M10 x 65	2

DISCLAIMER

PLEASE READ THE FOLLOWING CAREFULLY

The manufacturer and/or distributor have provided the parts list and assembly diagram in this manual for reference purposes only. They do not make any representation or warranty to the buyer that they are qualified to make repairs to the product or replace any parts of the product. In fact, the manufacturer and/or distributor expressly state that all repairs and parts replacements should be undertaken by certified and licensed technicians, and not by the buyer.

The buyer assumes all risk and liability arising from their repairs to the original product or replacement parts or arising from their installation of replacement parts. It is strongly advised that qualified professionals handle any repairs or replacements to ensure safety and proper functioning of the product. Improper installation and operation may result in injury, property damage, or voiding of warranty. The manufacturer and/or distributor shall not be held responsible for any accidents, damages, or malfunctions resulting from the buyer's installation and operation of the product. It is essential to follow all safety guidelines and recommendations provided in this manual and to seek professional assistance if unsure about the installation or operation procedures.

CUSTOMER SERVICE

If you have any questions about ordering our pool pumps and replacement parts or pool products, please feel free to contact us using the following contact information:

Customer Service and Technical Support

Phone: (909) 628-0880

Email: customer@xtremepowerusa.com

Hours of Operation: Monday – Friday, 9AM – 4PM (CST)
