



1400W DEMOLITION JACK HAMMER

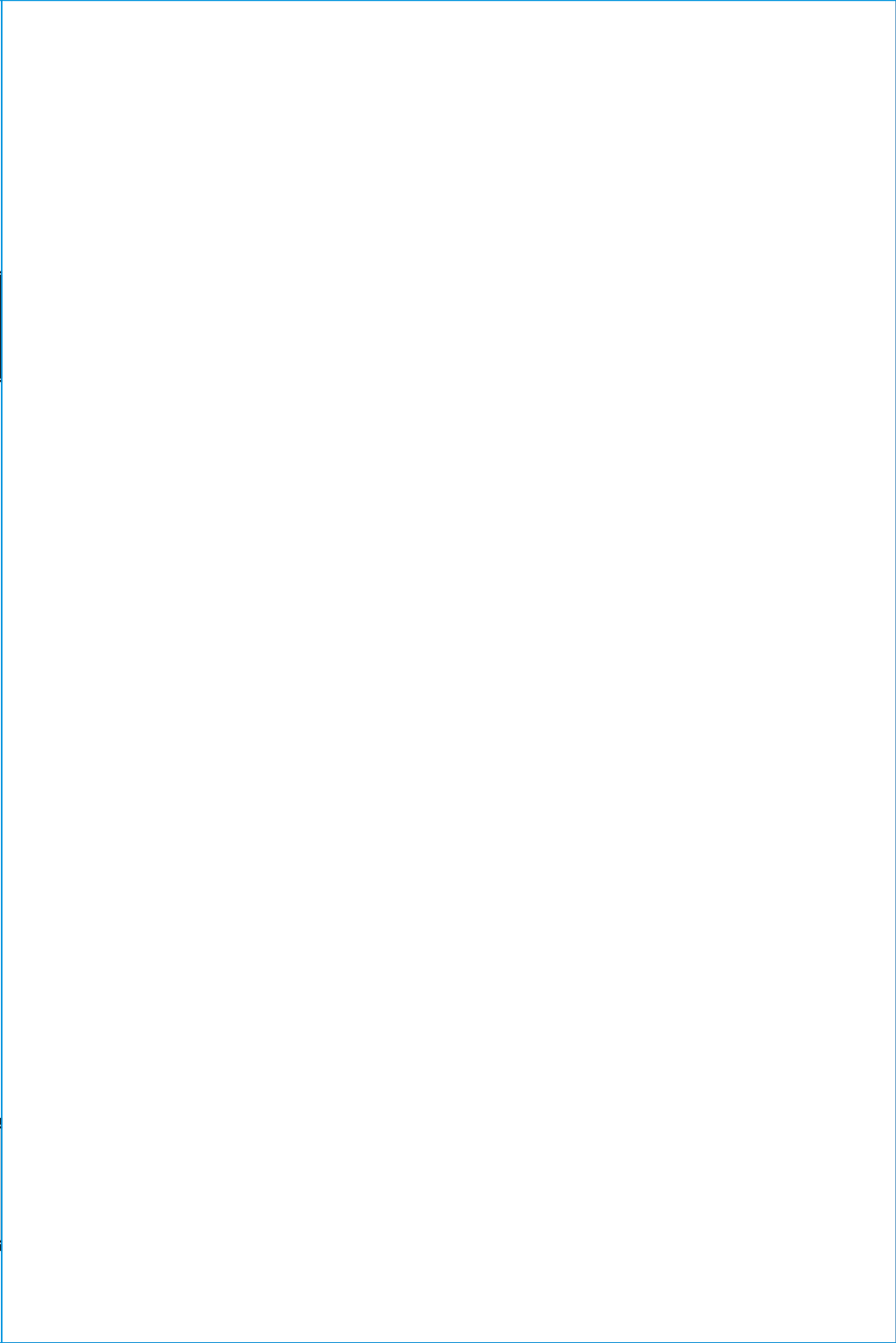
ITEM # 45356



OWNER'S MANUAL AND SAFETY INSTRUCTIONS

SAVE THIS MANUAL: KEEP THIS MANUAL FOR SAFETY WARNINGS, PRECAUTIONS, ASSEMBLY, OPERATING, INSPECTION, MAINTENANCE AND CLEANING PROCEDURES. WRITE THE PRODUCT'S SERIAL NUMBER ON THE BACK OF THE MANUAL NEAR THE ASSEMBLY DIAGRAM (OR MONTH AND YEAR OF PURCHASE IF PRODUCT HAS NO NUMBER).

FOR QUESTIONS PLEASE CALL OUR CUSTOMER SUPPORT: (909) 628 0880 MON-FRI 9AM TO 3PM PST



IMPORTANT SAFETY INFORMATION



GENERAL SAFETY WARNINGS

Read all safety warnings and instructions. Failure to follow the warnings and instructions may result in electric shock, fire and/or serious injury. Save all warnings and instructions for future reference.

SAFETY

The warnings, precautions, and instructions discussed in this instruction manual cannot cover all possible conditions and situations that may occur. It must be understood by the operator that common sense and caution are factors which cannot be built into this product, but must be supplied by the operator. Read carefully and understand all ASSEMBLY AND OPERATION INSTRUCTIONS before operating. Failure to follow the safety rules and other basic safety precautions may result in serious personal injury.

- **Read and understand all instructions.** Failure to follow all instructions may result in serious injury or property damage.
- **DO NOT** allow persons to operate or assemble the product until they have read this manual and have developed a thorough understanding of how it works.
- **DO NOT modify this product in any way.** Unauthorized modification may impair the function and/or safety and could affect the life of the product. There are specific applications for which the product was designed.
- **Use the right tool for the job. DO NOT** attempt to force small equipment to do the work of larger industrial equipment. There are certain applications for which this equipment was designed. This product will be safer and do a better job at the capacity for which it was intended. **DO NOT** use this equipment for a purpose for which it was not intended.
- **Keep children and bystanders away from the work area while operating the tool. DO NOT** allow children to handle the product.
- **DO NOT** operate power tools in explosive atmospheres, such as in the presence of flammable liquids, gases or dust. Power tools create sparks which may ignite the dust or fumes
- Power tool plugs must match the outlet. Never modify the plug in any way. **DO NOT** use any adapter plugs with grounded power tools. Unmodified plugs and matching outlets will reduce risk of electric shock.
- Avoid body contact with grounded surfaces such as pipes, radiators, ranges and refrigerators. There is an increased risk of electric shock if your body is grounded.
- **DO NOT** expose power tools to rain or wet conditions. Water entering a power tool will increase the risk of electric shock.
- **DO NOT** abuse the cord. Never use the cord for carrying, pulling or unplugging the power tool. Keep cord away from heat, oil, sharp edges or moving parts. Damaged or entangled cords increase the risk of electric shock.
- When operating a power tool outdoors, use an extension cord suitable for outdoor use. Use of a cord suitable for outdoor use reduces the risk of electric shock.
- If operating a power tool in a damp location is unavoidable, use a Ground Fault circuit Interrupter (GFCI) protected supply.

IMPORTANT SAFETY INFORMATION

- Stay alert, watch what you are doing and use common sense when operating a power tool. **DO NOT** use a power tool while you are tired or under the influence of drugs, alcohol or medication. A moment of inattention while operating power tools may result in serious personal injury.
- Use personal protective equipment. Always wear eye protection. Safety equipment such as dust mask, non-skid safety shoes, hard hat, or hearing protection used for appropriate conditions will reduce personal injuries
- Prevent unintentional starting. Ensure the Switch is in the off-position before connecting to power source, picking up or carrying the tool. Carrying power tools with your finger on the Switch or energizing power tools that have the Switch on invites accidents.
- **DO NOT** overreach. Keep proper footing and balance at all times. This enables better control of the power tool in unexpected situations.
- Dress properly. **DO NOT** wear loose clothing or jewellery. Keep your hair, clothing and gloves away from moving parts. Loose clothes, jewellery or long hair can be caught in moving parts.
- If devices are provided for the connection of dust extraction and collection facilities, ensure these are connected and properly used. Use of these devices can reduce dust-related hazards.
- Only use safety equipment that has been approved by an appropriate standards agency. Unapproved safety equipment may not provide adequate protection. Eye protection must be ANSI-approved and breathing protection must be NIOSH-approved for the specific hazards in the work area.
- **DO NOT** force the power tool. Use the correct power tool for your application. The correct power tool will do the job better and safer at the rate for which it was designed.
- **DO NOT** use the power tool if the Switch does not turn it on and off. Any power tool that cannot be controlled with the Switch is dangerous and must be repaired.
- Disconnect the plug from the power source before making any adjustments, changing accessories, or storing power tools. Such preventive safety measures reduce the risk of starting the power tool accidentally.
- Store idle power tools out of the reach of children and do not allow persons unfamiliar with the power tool or these instructions to operate the power tool. Power tools are dangerous in the hands of untrained user.
- Maintain power tools. check for misalignment or binding of moving parts, breakage of parts and any other condition that may affect the power tool's operation. If damaged, have the power tool repaired before use. Many accidents are caused by poorly maintained power tools.
- Keep cutting tools sharp and clean. Properly maintained cutting tools with sharp cutting edges are less likely to bind and are easier to control.
- Use the power tool, accessories and tool bits etc. in accordance with these instructions, taking into account the working conditions and the work to be performed. Use of the power tool for operations different from those intended could result in a hazardous situation.
- **DO NOT** operate this tool if you have back, neck, or wrist injuries, or other conditions that will be aggravated by the severe jerking forces that this tool exerts upon the operator.
- **DO NOT** lay the tool down until it has come to a complete stop. Moving parts can grab the surface and pull the tool out of your control.
- People with pacemakers should consult their physician(s) before use. Electromagnetic fields near heart pacemakers could cause pacemaker interference or pacemaker failure. In addition, people with pacemakers should:
 - Avoid operating alone.
 - Properly maintain and inspect to avoid electrical shock.
 - Properly ground power cord. Ground Fault Circuit Interrupter (GFCI)

IMPORTANT SAFETY INFORMATION

- Hold power tools by insulated gripping surfaces when performing an operation where the cutting tool may contact hidden wiring or its own cord. Contact with a "live" wire will make exposed metal parts of the tool "live" and shock the operator.
- **Keep clear of moving parts.**
- **Avoid unintentional starting.** Prepare to begin work before turning on the tool.
- **DO NOT** leave the tool unattended when it is plugged into an electrical outlet. Turn off the tool and unplug it from its electrical outlet before leaving.
- Anyone using vibrating tools regularly or for an extended period should first be examined by a doctor and then have regular medical check-ups to ensure medical problems are not being caused or worsened from use. pregnant women or people who have impaired blood circulation to the hand, past hand injuries, nervous system disorders, diabetes, or Raynaud's Disease should not use this tool. If you feel any symptoms related to vibration (such as tingling, numbness, and white or blue fingers), seek medical advice as soon as possible.
- **DO NOT smoke during use.** Nicotine reduces the blood supply to the hands and fingers, increasing the risk of vibration-related injury.
- Wear suitable gloves to reduce the vibration effects on the user.
- To reduce vibration, maintain the tool as explained in this manual. If any abnormal vibration occurs, stop use immediately.

TECHNICAL SPECIFICATIONS

RATED VOLTAGE FREQUENCY	110V 60Hz
RATED POWER	1180W
STRIKES PER MINUTE	4500BPM
STANDARD ACCESSORIES	2" SPANNER, 1 CARBON BRUSH

1. Trigger

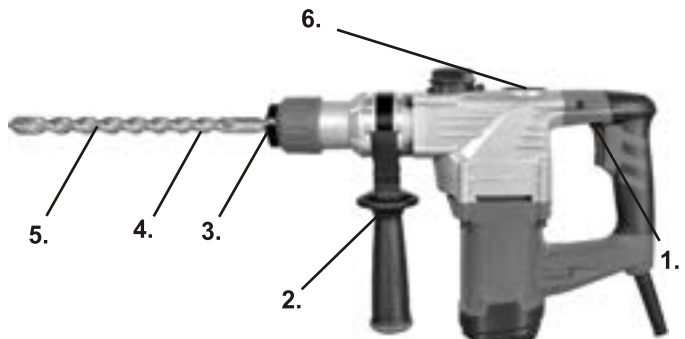
2. Auxiliary

3. Chisel Release Collar

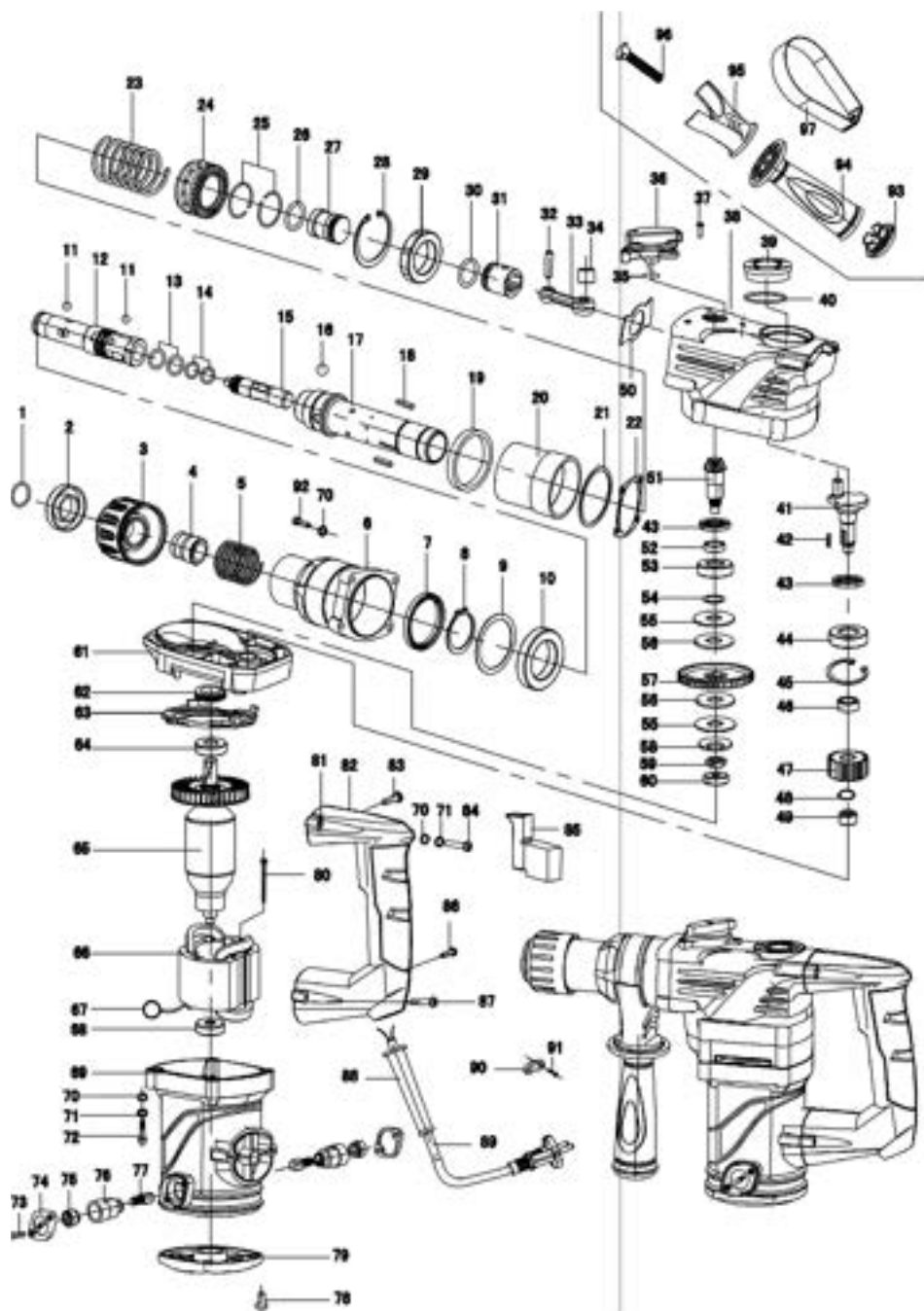
4. Chisel Holder

5. Chisel

6. Oil Cover



PARTS INFORMATION



OPERATION

code	parts name	code	parts name
1	steel ring	50	oil baffle
2	iron head lid	51	gear
3	ball stand body	52	range ring φ19Xφ15X4.7
4	ball stand	53	bearing 6002 (ABS)
5	spring	54	gasket φ14Xφ20X0.5
6	frong pocket	55	gasket
7	oil seal FB35516 (big)	56	friction disk
8	spring φ35	57	gear
9	gasketφ54.5Xφ45X1.0	58	gasket
10	bearing 6907 (ABS)	59	screwM10X0.75
11	steel ballφ7	60	bearing 627 (ABS)
12	rotor cover	61	middle lid
13	O-style gasketφ24Xφ2.3	62	gasket
14	O-style gasket φ14.8Xφ1.9	63	fan shroud
15	pound bit	64	bearing 6001 (SYBS)
16	steel ballφ8	65	armature
17	cylinder	66	stator
18	square key 4X4X12	67	tension spring
19	rubber range ring	68	bearing 608 (SYBS)
20	cylindrical lining	69	stator cover
21	gasket φ56Xφ49X1.2	70	gasket φ5
22	paper gasket	71	gasket φ5
23	big spring	72	six angle cylinder screws M5X50
24	cylindar teeth	73	self-tapping screw ST3X10尖头
25	steel ring φ28Xφ1.6	74	brush press cover
26	O-style gasket φ19Xφ3	75	brush cover
27	second pound	76	brush holder
28	springφ47	77	carbon brush
29	bearing	78	self-tapping screwST4X12
30	O-style gasketφ19Xφ3.1	79	alu-rea cover
31	pinston	80	self-tapping screw ST5X60point
32	piston pin	81	switch handel (L)
33	connecting rod	82	switch handle (R)
34	bearing HK0810	83	self-tapping screwST4X18
35	O-style gasketφ14.8Xφ1.9	84	six angle cylinder screws M5X22
36	toggle	85	switch
37	screw M4X12	86	self-tapping screwST4X16
38	gear box	87	self-tapping screw ST5X25
39	oil lid	88	cable cover
40	O-style gasket φ41.5Xφ2	89	cable
41	eccentric shaft	90	tension plate
42	square key 3X3X18	91	self-tapping screwST4X16
43	oil seal FB19285 (小)	92	six angle cylinder screwsM5X25
44	bearing 6202 (ABS)	93	second handle botton lid
45	srping φ47	94	second handle
46	range ring	95	second handle handle bracket
47	gear	96	screw M8X38
48	spring φ12	97	handle hoop
49	bearing HK081410		

AUXILIARY HANDLE

The auxiliary handle can be set to any position for a secure and low-fatigue working posture.



CHANGING THE CHISEL

The device is equipped with a SDS attachment system.

1. Clean tools and grease with a thin layer of machine grease before installing.
2. Pull back the bit release collar and hold it.
3. Insert the bit or chisel into the nose of the tool.
4. Rotate the bit slowly until it aligns with the locking mechanism.
5. Push bit into the tool until it locks.
6. Release the collar again in order to lock the tool.
7. Check the latching by pulling the tool.



REMOVING THE CHISEL

Pull the chisel release collar toward the rear of the tool and remove the chisel bit.



OPERATION and MAINTENANCE

STARTING WORK

Switching ON/OFF

Plug the cord set into power socket:

1. Switching ON: Press the trigger.

2. Switching OFF: Release the trigger. Press the trigger, meanwhile pressing the lock on the button. The tool will continue working. For low temperatures, the machine reaches the full impact rate only after a certain time. This start-up time can be shortened by striking the chisel in the machine against the floor one time. To save energy, only switch the power tool on when using it.



WORKING ADVICE

Sharpening Chisels

The best results are only achieved with sharp chisels. This ensures a long service life of the tools and good working performance.

Re-Sharpening Chisels

Sharpen chiseling tools using grinding wheels with a steady supply of water. Reference values are shown in the figure. Take care that no annealing coloration appears on the cutting edges; this impairs the hardness of the chiseling tools.

For forging, heat the chisel to between 850 and 1050°C, bright red to yellow.

For hardening, heat the chisel to approx 900°C and quench in oil. Then anneal in an oven for approx one hour at 320°C. Annealing color = light blue)

MAINTENANCE

Before any work on the machine itself, pull the mains plug. For safe and proper tool use, make sure the ventilation slots are clean. A damaged dust protection cap should be changed immediately. We recommend having this performed by a qualified technician.

TOOL LUBRICATION

This tool requires no hourly or daily lubrication because it has been properly lubricated and is ready to use. It is recommended that the tools' gears be degreased with a special gear lubricant at every brush change or be reduplicated after every 6 months of operation. Send the complete tool to a service center for lubrication service. If you choose to lubricate the tool yourself, proceed as follows. Run the tool for several minutes to warm it up. Switch the tool off and unplug the main plug from the socket. Remove the oil cover. Rest the tool on the table with the bit end pointing upwards. This will allow the old grease to collect inside the crank housing. Wipe out the old grease inside and replace with genuine hammer grease. Standard accessory, 45g; 1.6oz. Fill only with 15g (.5oz) grease one time.

WARRANTY

Problem	Possible Causes	Likely Solutions
Tool will not start.	<ol style="list-style-type: none"> 1. Cord not connected. 2. No power at outlet. 3. Internal damage or wear. (Carbon brushes or switch, for example.) 	<ol style="list-style-type: none"> 1. Check that cord is plugged in. 2. Check power at outlet. If outlet is unpowered, turn off tool and check circuit breaker. If breaker is tripped, make sure circuit is right capacity for tool and circuit has no other loads. 3. Have technician service tool.
Performance decreases over time.	<ol style="list-style-type: none"> 1. Accessory dull or damaged. 2. Carbon brushes worn or damaged. 	<ol style="list-style-type: none"> 1. Keep cutting accessories sharp. Replace as needed. 2. Have qualified technician replace brushes.
Excessive noise or rattling.	Internal damage or wear. (Carbon brushes or bearings, for example.)	Have technician service tool.
Overheating.	<ol style="list-style-type: none"> 1. Forcing tool to work too fast. 2. Accessory dull or damaged. 3. Blocked motor housing vents. 	<ol style="list-style-type: none"> 1. Allow tool to work at its own rate. 2. Keep cutting accessories sharp. Replace as needed. 3. Wear ANSI-approved safety goggles and NIOSH-approved dust mask/respirator while blowing dust out of motor using compressed air.

PLEASE READ THE FOLLOWING CAREFULLY

THE MANUFACTURER AND/OR DISTRIBUTOR HAS PROVIDED THE PARTS LIST AND ASSEMBLY DIAGRAM IN THIS MANUAL AS A REFERENCE TOOL ONLY. NEITHER THE MANUFACTURER OR DISTRIBUTOR MAKES ANY REPRESENTATION OR WARRANTY OF ANY KIND TO THE BUYER THAT HE OR SHE IS QUALIFIED TO MAKE ANY REPAIRS TO THE PRODUCT, OR THAT HE OR SHE IS QUALIFIED TO REPLACE ANY PARTS OF THE PRODUCT. IN FACT, THE MANUFACTURER AND/OR DISTRIBUTOR EXPRESSLY STATES THAT ALL REPAIRS AND PARTS REPLACEMENTS SHOULD BE UNDERTAKEN BY CERTIFIED AND LICENSED TECHNICIANS, AND NOT BY THE BUYER. THE BUYER ASSUMES ALL RISK AND LIABILITY ARISING OUT OF HIS OR HER REPAIRS TO THE ORIGINAL PRODUCT OR REPLACEMENT PARTS THERETO, OR ARISING OUT OF HIS OR HER INSTALLATION OF REPLACEMENT PARTS THERETO.

Record Product's Serial Number Here: _____

Note: If product has no serial number, record month and year of purchase instead.

Note: Some parts are listed and shown for illustration purposes only and are not available individually as replacement parts.

Questions, problems, missing parts?

Before returning to your retailer, our exceptional customer service is here to help.



Call Us: 909.628.0880

Email Us: customer@xtremepowerusa.com

Hours of Operation: 9am - 4pm (Monday - Friday)

PRODUCT MADE IN CHINA