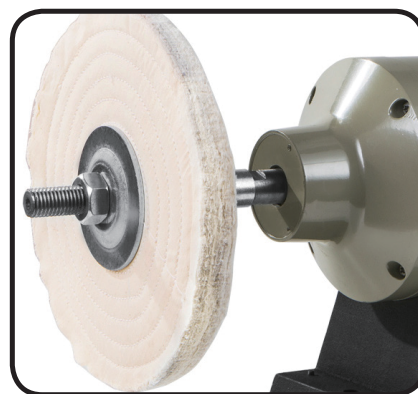
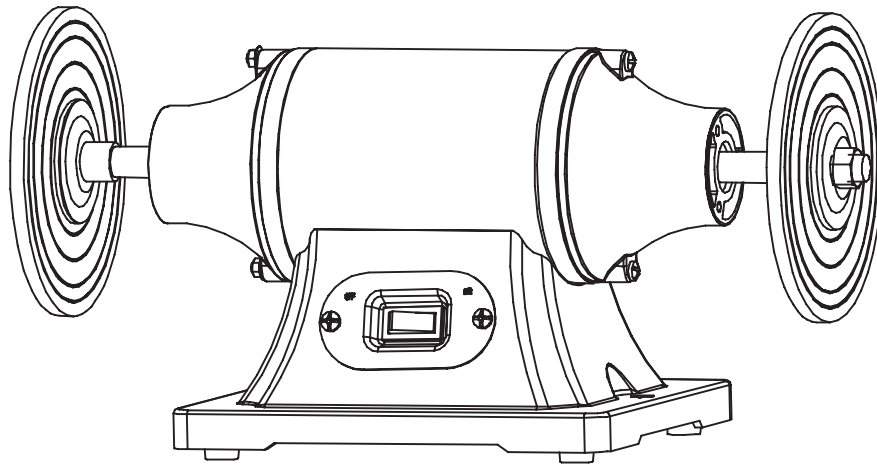




**ELECTRIC BENCHTOP BUFFER POLISHER TOOL MACHINE**

**ITEM: 45808, 45809, 45810**

**ELECTRIC BENCHTOP BUFFER POLISHER TOOL MACHINE**



## **OWNER'S MANUAL AND SAFETY INSTRUCTIONS**

**SAVE THIS MANUAL: KEEP THIS MANUAL FOR SAFETY WARNINGS, PRECAUTIONS, ASSEMBLY, OPERATING, INSPECTION, MAINTENANCE AND CLEANING PROCEDURES. WRITE THE PRODUCT'S SERIAL NUMBER ON THE BACK OF THE MANUAL NEAR THE ASSEMBLY DIAGRAM (OR MONTH AND YEAR OF PURCHASE IF PRODUCT HAS NO NUMBER)**

FOR QUESTIONS PLEASE CALL OUR CUSTOMER SUPPORT: 909.628.0880 MON-FRI 9AM TO 3PM PST



## GENERAL SAFETY WARNINGS

Read all safety warnings and instructions. Failure to follow the warnings and instructions may result in electric shock, fire and/or serious injury. Save all warnings and instructions for future reference.

## SAFETY

The warnings, precautions, and instructions discussed in this instruction manual cannot cover all possible conditions and situations that may occur. It must be understood by the operator that common sense and caution are factors which cannot be built into this product, but must be supplied by the operator. Read carefully and understand all **ASSEMBLY AND OPERATION INSTRUCTIONS** before operating. Failure to follow the safety rules and other basic safety precautions may result in serious personal injury.

- **KEEP GUARDS IN PLACE** and in working order.
- **REMOVE ADJUSTING KEYS AND WRENCHES.** Form habit of checking to see that keys and adjusting wrenches are removed from tool before turning it on.
- **KEEP WORK AREA CLEAN.** Cluttered areas and benches invite accidents.
- **DON'T USE IN DANGEROUS ENVIRONMENT.** Don't use power tools in damp or wet locations, or expose them to rain. Keep work area well lighted.
- **KEEP CHILDREN AWAY.** All visitors should be kept safe distance from work area.
- **MAKE WORKSHOP KID PROOF** with padlocks, master switches, or by removing starter keys.
- **DON'T FORCE TOOL.** It will do the job better and safer at the rate for which it was designed.
- **USE RIGHT TOOL.** Don't force tool or attachment to do a job for which it was not designed.
- **USE PROPER EXTENSION CORD.** Make sure your extension cord is in good condition. When using an extension cord, be sure to use one heavy enough to carry the current your product will draw. An undersized cord will cause a drop in line voltage resulting in loss of power and overheating. Table A shows the correct size to use depending on cord length and nameplate ampere rating. If in doubt, use the next heavier gauge. The smaller the gauge number, the heavier the cord.

| NAMEPLATE AMPERES<br>(at full load) | EXTENSION CORD LENGTH |     |                    |      |
|-------------------------------------|-----------------------|-----|--------------------|------|
|                                     | 25'                   | 50' | 100'               | 150' |
| 0 – 6                               | 18                    | 16  | 16                 | 14   |
| 6.1 – 10                            | 18                    | 16  | 14                 | 12   |
| 10.1 – 12                           | 16                    | 16  | 14                 | 12   |
| 12.1 – 16                           | 14                    | 12  | <b>Do not use.</b> |      |

- **WEAR PROPER APPAREL. DO NOT** wear loose clothing, gloves, neckties, rings, bracelets, or other jewellery which may get caught in moving parts. Non-slip footwear is recommended. Wear protective hair covering to contain long hair.

# IMPORTANT SAFETY INFORMATION

- **ALWAYS USE SAFETY GLASSES.** Also use face or dust mask if cutting operation is dusty. Everyday eyeglasses only have impact resistant lenses, they are NOT safety glasses.
- **SECURE WORK.** Use clamps or a vise to hold work when practical. It's safer than using your hand and it frees both hands to operate tool.
- **DON'T OVERREACH.** Keep proper footing and balance at all times.
- **MAINTAIN TOOLS WITH CARE.** Keep tools sharp and clean for best and safest performance. Follow instructions for lubricating and changing accessories.
- **DISCONNECT TOOLS** before servicing; when changing accessories, such as blades, bits, cutters, and the like.
- **REDUCE THE RISK OF UNINTENTIONAL STARTING.** Make sure switch is in off position before plugging in.
- **USE RECOMMENDED ACCESSORIES.** Consult the owner's manual for recommended accessories. The use of improper accessories may cause risk of injury to persons.
- **NEVER STAND ON TOOL.** Serious injury could occur if the tool is tipped or if the cutting tool is unintentionally contacted.
- **CHECK DAMAGED PARTS.** Before further use of the tool, a guard or other part that is damaged should be carefully checked to determine that it will operate properly and perform its intended function – check for alignment of moving parts, binding of moving parts, breakage of parts, mounting, and any other conditions that may affect its operation. A guard or other part that is damaged should be properly repaired or replaced.
- **DIRECTION OF FEED.** Feed work into a buffing wheel on the lower quarter of the buffing wheel only.
- **NEVER LEAVE TOOL RUNNING UNATTENDED. TURN POWER OFF.**



## **WARNING**

**TO PREVENT ELECTRIC SHOCK AND DEATH FROM INCORRECT GROUNDING WIRE CONNECTION READ AND FOLLOW THESE INSTRUCTIONS:**

### **110-120 VAC GROUNDED TOOLS: TOOLS WITH THREE PRONG PLUGS**

1. In the event of a malfunction or breakdown, grounding provides a path of least resistance for electric current to reduce the risk of electric shock. This tool is equipped with an electric cord having an equipment-grounding conductor and a grounding plug. The plug must be plugged into a matching outlet that is properly installed and grounded in accordance with all local codes and ordinances.

**DO NOT** modify the plug provided – if it will not fit the outlet, have the proper outlet installed by a qualified electrician.

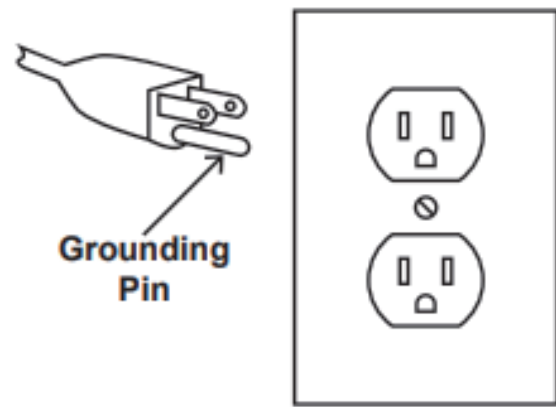
2. Improper connection of the equipment-grounding conductor can result in a risk of electric shock. The conductor with insulation having an outer surface that is green with or without yellow stripes is the equipment-grounding conductor. If repair or replacement of the electric cord or plug is necessary, **DO NOT** connect the equipment grounding conductor to a live terminal.

# IMPORTANT SAFETY INFORMATION

3. Check with a qualified electrician or service personnel if the grounding instructions are not completely understood, or if in doubt as to whether the tool is properly grounded.

4. Use only 3-wire extension cords that have 3-prong grounding plugs and 3-pole receptacles that accept the tool's plug. Repair or replace damaged or worn cord immediately

5. This tool is intended for use on a circuit that has an outlet that looks like the one illustrated above in 125 VAc 3-prong plug and Outlet. The tool has a grounding plug that looks like the plug illustrated. above in 125 VAc 3-prong plug and Outlet.



**125 VAC 3-Prong Plug and Outlet  
(for up to 125 VAC and up to 15 A)**

6. The outlet must be properly installed and grounded in accordance with all codes and ordinances.

7. **DO NOT** use an adapter to connect this tool to a different outlet.

## **BUFFER SAFETY WARNINGS**

1. Wear eye protection.

2. Use buffing wheel suitable for speed of buffer.

3. **DO NOT** buff with side of wheel.

4. **DO NOT USE GRINDING WHEELS OR OTHER UNINTENDED ACCESSORIES ON THIS BUFFER.**

5. **DO NOT** wear gloves, necktie, or loose clothing.

6. **DO NOT OPERATE WITH ANY GUARD DISABLED, DAMAGED, OR REMOVED.**

7. The use of accessories or attachments not recommended by the manufacturer may result in a risk of injury to persons.

8. When servicing use only identical replacement parts.

9. Only use safety equipment that has been approved by an appropriate standards agency. Unapproved safety equipment may not provide adequate protection. Eye protection must be ANSI-approved and breathing protection must be NIOSH-approved for the specific hazards in the work area.

10. Stay alert, watch what you are doing and use common sense when operating a power tool. **DO NOT** use a power tool while you are tired or under the influence of drugs, alcohol or medication. A moment of inattention while operating power tools may result in serious personal injury.

11. Industrial applications must follow OSHA guidelines.

12. Maintain labels and nameplates on the tool. These carry important safety information. If unreadable or missing, contact XtremePowerUS for a replacement.

13. People with pacemakers should consult their physician(s) before use. Electromagnetic fields in close proximity to heart pacemaker could cause pacemaker interference or pacemaker failure.

14. **WARNING:** Handling the cord on this product will expose you to lead, a chemical known to the State of California to cause cancer, and birth defects or other reproductive harm. Wash hands after handling. (California Health & Safety Code § 25249.5, et seq.)

**15. WARNING:** Some dust created by power sanding, sawing, grinding, drilling, and other construction activities, contains chemicals known [to the State of California] to cause cancer, birth defects or other reproductive harm. Some examples of these chemicals are:

- Lead from lead-based paints
- Crystalline silica from bricks and cement or other masonry products
- Arsenic and chromium from chemically treated lumber Your risk from these exposures varies, depending on how often you do this type of work. To reduce your exposure to these chemicals: work in a well ventilated area, and work with approved safety equipment, such as those dust masks that are specially designed to filter

**16.** The warnings, precautions, and instructions discussed in this instruction manual cannot cover all possible conditions and situations that may occur. It must be understood by the operator that common sense and caution are factors which cannot be built into this product, but must be supplied by the operator.

## VIBRATION SAFETY

This tool vibrates during use. Repeated or long-term exposure to vibration may cause temporary or permanent physical injury, particularly to the hands, arms and shoulders. To reduce the risk of vibration-related injury:

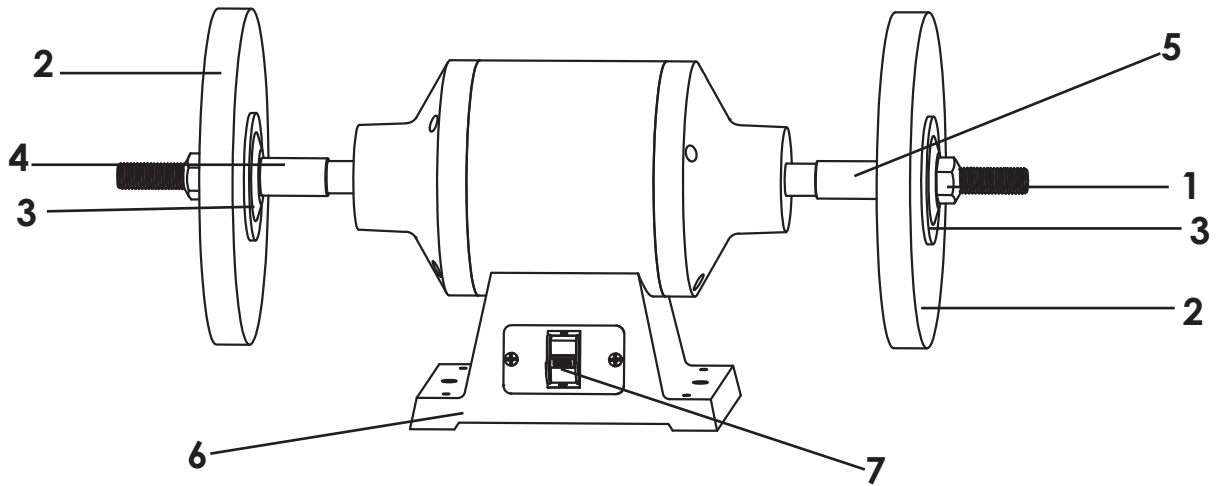
1. Anyone using vibrating tools regularly or for an extended period should first be examined by a doctor and then have regular medical check-ups to ensure medical problems are not being caused or worsened from use. Pregnant women or people who have impaired blood circulation to the hand, past hand injuries, nervous system disorders, diabetes, or Raynaud's Disease should not use this tool. If you feel any medical or physical symptoms related to vibration (such as tingling, numbness, and white or blue fingers), seek medical advice as soon as possible.
2. **DO NOT** smoke during use. Nicotine reduces the blood supply to the hands and fingers, increasing the risk of vibration-related injury.
3. Use tools with the lowest vibration when there is a choice between different processes.
4. Include vibration-free periods each day of work. Let the tool do the work.
5. To reduce vibration, maintain the tool as explained in this manual. If any abnormal vibration occurs, stop use immediately.



**SAVE THESE WARNINGS**



# PARTS and OPERATION

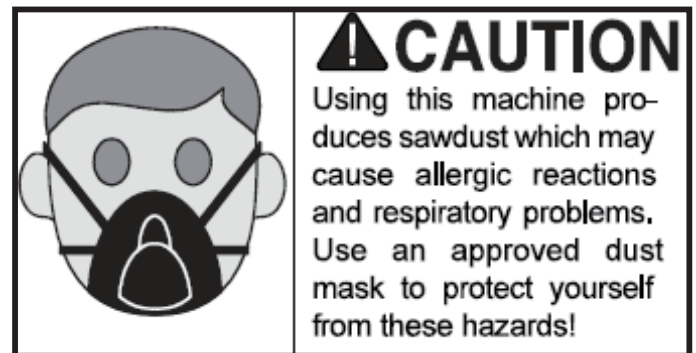
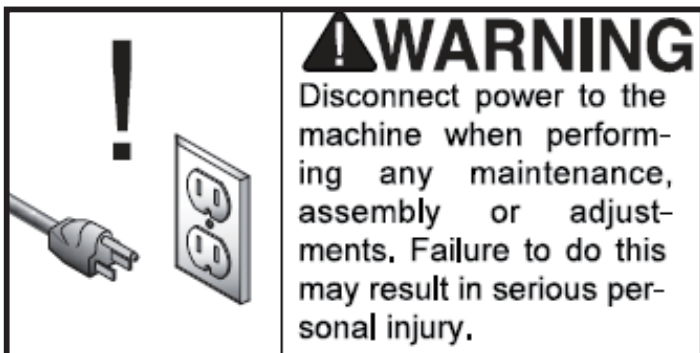


1. Arbor Nut    2. Cloth Buffing Wheels    3. Flange    4. Space 1    5. Space 1    6. Base    7. Power Switch

## MOUNTING THE BUFFER

Make sure the workbench on which you plan to mount the buffer is sturdy enough to hold the weight of the machine. The workbench should have a level surface and be heavy, or attached to the floor, so it will not move during operation. To mount the buffer:

1. Pick a spot on the workbench that will allow enough room to move the size of an anticipated workpiece around the buffer. The operator should make sure they have enough room to move to stand out of the way of the buffer.
2. Mount the buffer to the workbench with bolts that are long enough to exceed the buffer the thickness of your workbench and buffer base. Secure the bolts with flat washers, a lock washer and a hex nut. (Not included).
3. Mount the buffer in an area with proper lighting and near electrical outlets. Keep power or extension cords clear of high-traffic areas. Observe local electrical codes for proper installation of new lighting, outlets or circuits.



The following section is designed to give instructions on the basic operations of this buffer. It is strongly recommended that the user also read instructional texts and videos to maximize the potential of the machine.

## TEST RUN

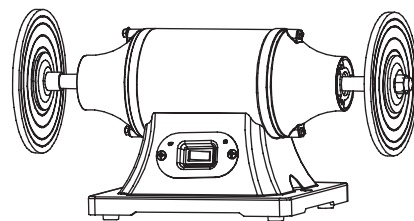
Once mounting is complete and adjustments are done, you are ready to test the machine. Before testing, remove the flanges and shaft nuts from the arbor. Facing the machine, the left hand nut has left hand threads and vice versa on the right hand side.

Plug in the power and turn on the buffer. Make sure your hand is poised near the switch. The buffer should run smoothly with little or no vibration or rubbing noises. Strange and unusual noises should be investigated and corrected before further operation of the machine.

## BUFFING AND POLISHING

1. Make sure the power cord is unplugged and remove the 5/8" hex nuts at the end of each shaft. Facing the machine, the left-hand shaft has left-handed threads, the right has right-handed threads.

2. Sandwich a buffing wheel between the two wheel flanges provided and slide the assembled onto the shaft. Use only the wheel flanges supplied with this machine. The buffing assembly should look like the picture beside



3. Tighten the hex nut while holding the shaft with your other hand. The direction of the threads and motor rotation ensure that the nuts on both sides will not loosen on their own.

4. Plug the buffer into the power source. Select the appropriate stick of polishing compound for your application. Turn ON the buffer and apply the compound to the rotating face of the wheel.

5. With both hands, firmly grasp the item to be polished. Lightly and evenly move the workpiece back and forth on the edge of the buffing wheel in the grayed area in the figure below.

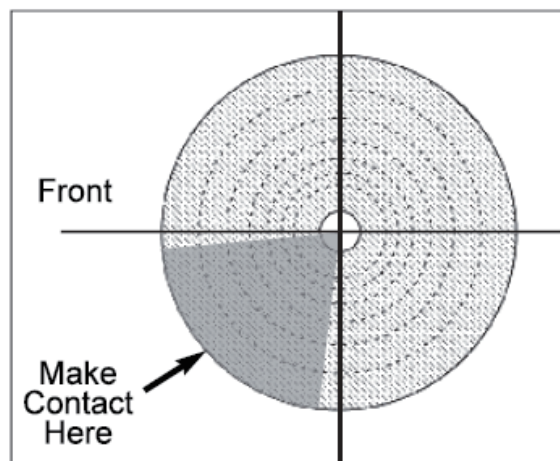
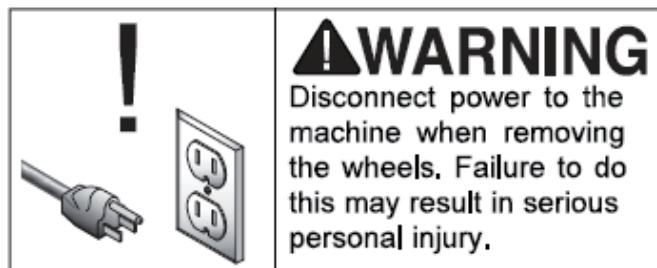


Figure 3. Illustrated from a side profile, shows the only portion of the wheel that should be used during buffing.

## WHEEL REMOVAL

To remove the buffing wheels, ensure that the switch is turned OFF and the power cord is unplugged from the outlet. Hold the shaft with one while loosening the nut with a wrench.



## BUFFING WHEEL SELECTION

Buffing wheels are available for most types of metals and for different stages in the buffing process. The following pictures describe some of the more common wheel types.

## Loose Muslin

Soft feather-edged muslin stitched together near the center leaves the outer edge to provide a wide angle, fine polishing surface.

Perfect for polishing stainless steel, chrome, gold or silver.



## Airway Soft

Made of 100% cotton sheets and held together with a steel retainer. Pleats in the material help hold compound. These wheels are great for polishing soft metals and plastics.

## Spiral Sewn

Consist of layers of 100% unbleached cotton sheeting that are spiral sewn  $\frac{1}{8}$ " apart. Works well for initial polish on brass, stainless steel, aluminum, bronze and cast iron.



## Airway Hard

Made of 100% cotton sheets that are treated to stiffen the material. Pleats in the material help hold compound. These are great for rough cutting plastics and initial polishing a wide variety of metals.



## BUFFING COMPOUND SELECTION

**Red Rouge** - Made for polishing on brass and gold. Provides an excellent shine when used with the loose muslin buffing wheel.

**Green (Extra Fine)** - Great for extra-fine polishing on most metals to bring out a mirror finish. Works best with loose muslin and spiral sewn buffing wheels.

**White** - Great for ivory, plastics and resins when used successively with the soft spiral sewn and soft airway buffing wheels.

**Black** - Designed to be used with the sisal and airway hard buffing wheels, this compound is perfect for the initial rough cut on stainless steel and iron.

**Tripoli** - A true middle-of-the-road abrasive. Tripoli provides an excellent medium cut for brass, aluminium and zinc alloy.

**Green (Fine)** - Slightly more abrasive than the extra fine green. This green compound is great for medium to fine polish with softer metals.

## BUFFING TIPS

- Thoroughly clean all parts that you are planning to buff. Any kind of dirt, oil, rust, paint or other film must be removed either chemically or sprayed with water.
- Apply buffing compounds in small amounts at a time. While the machine is running, press the compound in the wheel for a couple seconds. Avoid using too much compound.
- Put your workpiece under the wheel when you are loading the compound on the buffing wheel. This way, you will catch any compound that would normally be wasted on the floor.
- Only use the area that is grayed-out in Fig. 4 to do the actual buffing. Contacting the workpiece on areas outside of the grayed out are may flip the workpiece out of your hands.

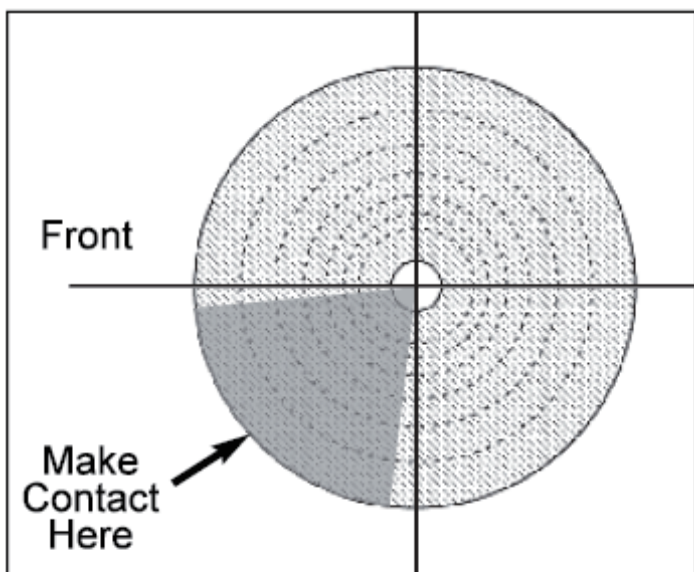


Figure 4. Illustrated from a side profile, shows the only portion of the wheel that should be used during buffing.

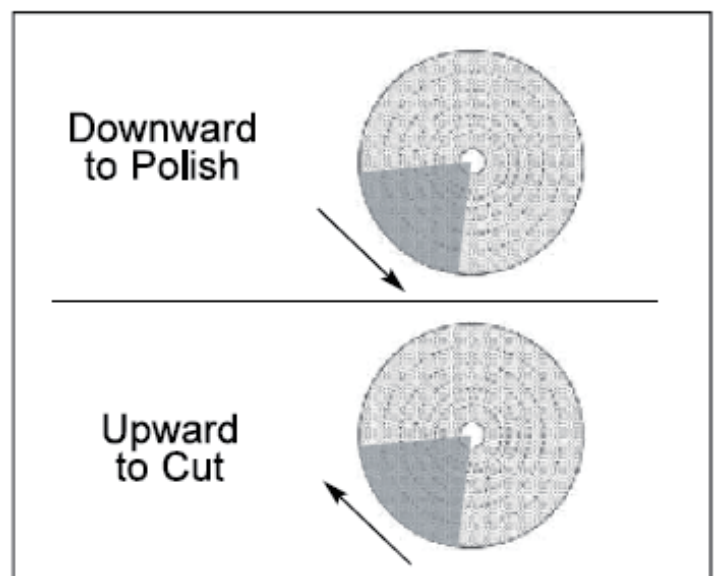


Figure 5. Cutting and Polishing strokes.

# OPERATION

- Hold the workpiece tightly at all times while buffing. One hand near the contact point will give you better control.
- Keep buffing wheels raked out before each use and when build-up gets heavy during use. “Raking” means to clean the buffing wheels with a wheel rake to remove build up compounds and metal particles. An old rough-cut saw blade or a large hacksaw blade will also work as an alternative to a wheel rake. ALWAYS use light pressure when raking wheels.
- **DO NOT** mix two different compounds on the same wheel. for best results, use a separate wheel for each compound.
- Use an upward stroke with heavy to moderate pressure cutting. Use a downward stroke with light pressure for polishing. See Fig. 5

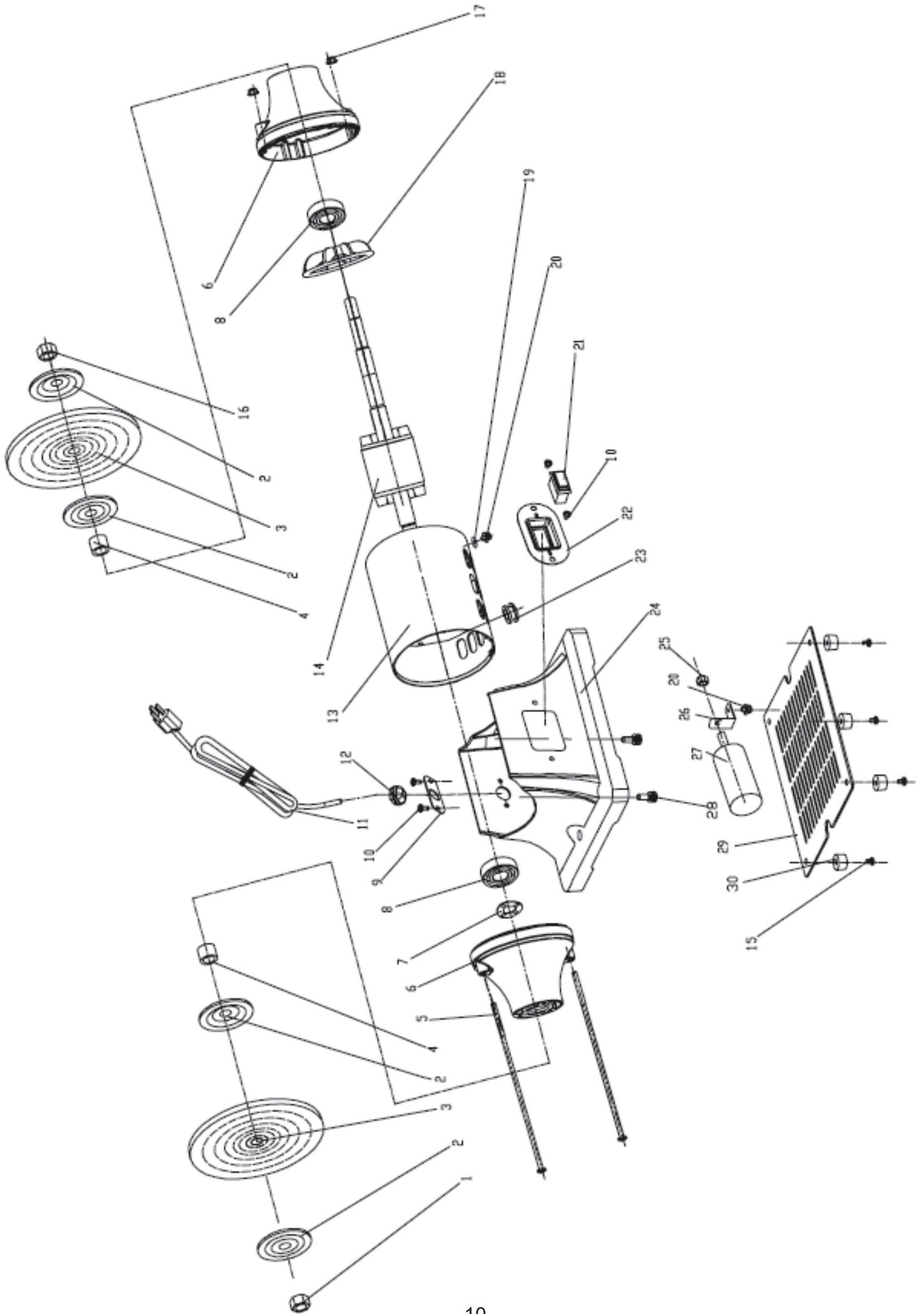
## LUBRICATION

Shielded and pre-lubricated ball bearings require no lubrication for the life of the bearings. All bearings are standard sizes and replacements can be found from our parts department or a bearing supply store.

## SPECIFICATIONS

|            | 6" BUFFER SKU: 45808 | 8" BUFFER SKU: 45809 | 10" BUFFER SKU: 45810 |
|------------|----------------------|----------------------|-----------------------|
| HORSEPOWER | 1/2                  | 3/4                  | 1                     |
| AMPERES    | 4                    | 4.8                  | 8.5                   |
| HERTZ      | 60                   | 60                   | 60                    |
| VOLTAGE    | 120                  | 120                  | 120                   |
| RPM        | 3450                 | 3450                 | 3450                  |
| ROTATION   | Clockwise            | Clockwise            | Clockwise             |
| BORE SIZE  | 1/2"                 | 5/8"                 | 3/4"                  |

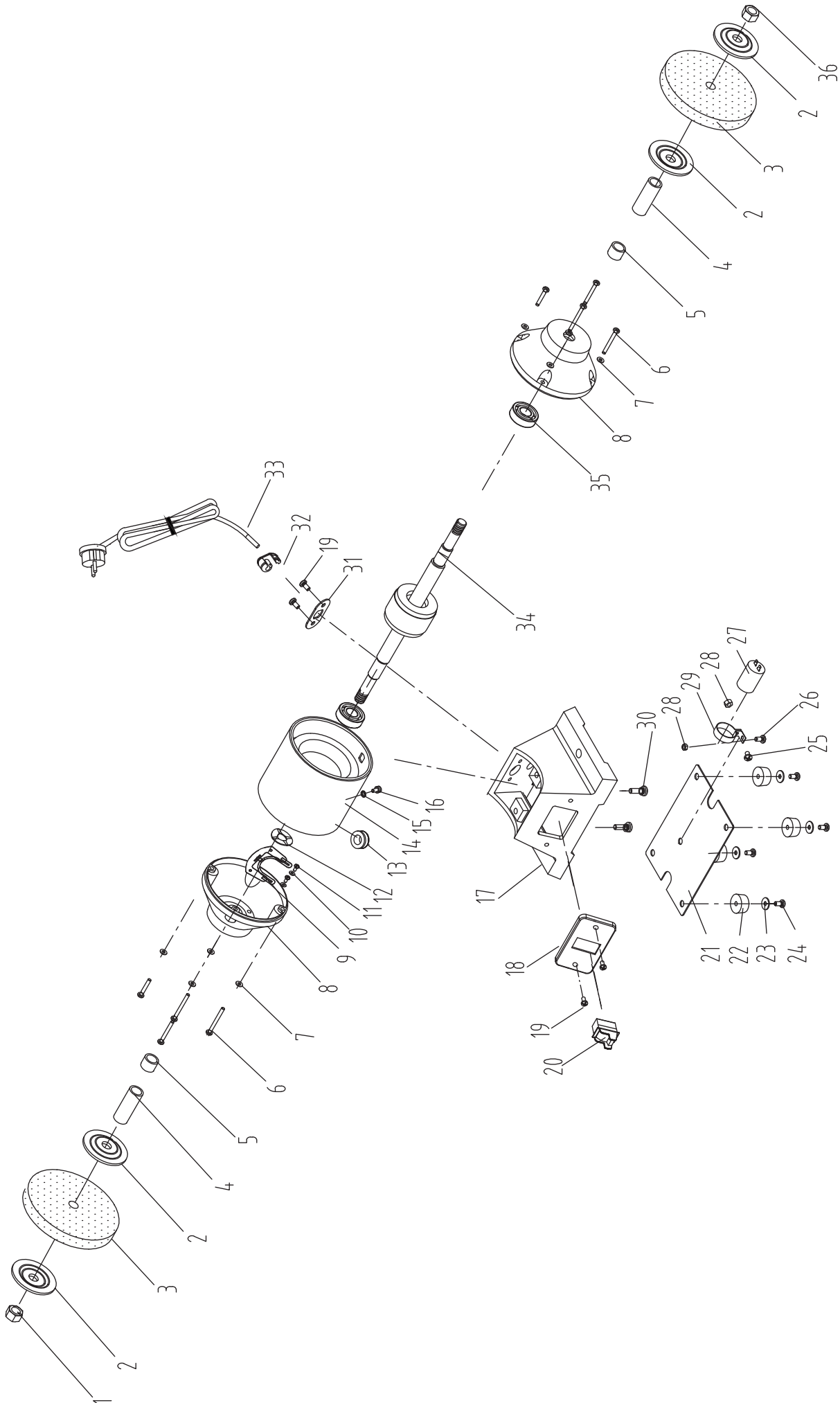
# 6" & 8" PARTS DIAGRAM



# 6" & 8" PARTS LIST

| NO | DESCRIPTION                                 | 6 Inch   |      | 8 Inch   |      |
|----|---|----------|------|----------|------|
|    |   | SPEC     | Q'TY | SPEC     | Q'TY |
| 1  | Hex Nut, I type                             | M12 Left | 1    | M16 Left | 1    |
| 2  | Flange                                      |          | 4    |          | 4    |
| 3  | Cotton buffing wheel                        |          | 2    |          | 2    |
| 4  | Spacer                                      |          | 2    |          | 2    |
| 5  | Philips screw + flat washer                 | M5x200   | 2    | M5x200   | 2    |
| 6  | End caps                                    |          | 2    |          | 2    |
| 7  | Wavy washer                                 | D35      | 1    | D40      | 1    |
| 8  | Bearing                                     | 6202     | 2    | 6203     | 2    |
| 9  | Clip Plate                                  |          | 1    |          | 1    |
| 10 | Philips screw                               | M5X8     | 4    | M5X8     | 4    |
| 11 | Cord & Plug                                 |          | 1    |          | 1    |
| 12 | Cord Clip                                   |          | 1    |          | 1    |
| 13 | Stator                                      |          | 1    |          | 1    |
| 14 | Rotor                                       |          | 1    |          | 1    |
| 15 | Philips screw + flat washer                 | M4x12    | 4    | M4x12    | 4    |
| 16 | Hex Nut, I type                             | M12      | 1    | M16      | 1    |
| 17 | Hex Nut                                     | M5       | 2    | M5       | 2    |
| 18 | Fan   |          | 1    |          | N/A  |
| 19 | Outer locking washer                        | D4       | 1    | D4       | 1    |
| 20 | Philips screw + Spring washer + flat washer | M4x8     | 2    | M4x8     | 2    |
| 21 | Switch                                      |          | 1    |          | 1    |
| 22 | Switch plate                                |          | 1    |          | 1    |
| 23 | Cord bushing                                |          | 1    |          | 1    |
| 24 | Base  |          | 1    |          | 1    |
| 25 | Hex Nut, I type                             | M8       | 1    | M8       | 1    |
| 26 | Capacitor bracket                           |          | 1    |          | 1    |
| 27 | Capacitor                                   |          | 1    |          | 1    |
| 28 | Philips screw + Spring washer               | M6x20    | 2    | M6x20    | 2    |
| 29 | Base plate                                  |          | 1    |          | 1    |
| 30 | Rubber foot                                 |          | 4    |          | 4    |

# 10" PARTS DIAGRAM





# 10" PARTS LIST

| NO | DESCRIPTION                              | SPEC      | QTY |
|----|--|-----------|-----|
| 1  | Nut                                      | M20 Left  | 1   |
| 2  | Flange                                   |           | 4   |
| 3  | Buffing wheel                            | 250*20*20 | 2   |
| 4  | Shaft bushing(Long)                      |           | 2   |
| 5  | Shaft bushing(Short)                     |           | 2   |
| 6  | Philips screw                            | M6X25     | 8   |
| 7  | Sping washer                             | D6        | 8   |
| 8  | End cap                                  |           | 2   |
| 9  | Centrifugal switch                       |           | 1   |
| 10 | Flat washer                              | D4        | 2   |
| 11 | Philips screw                            | M4x6      | 2   |
| 12 | Wave washer                              | D52       | 1   |
| 13 | Lead wire sheath                         |           | 1   |
| 14 | Stator                                   |           | 1   |
| 15 | External teeth lock washer               | D4        | 1   |
| 16 | Phillips screw+Flat washer+Spring washer | M4x8      | 1   |
| 17 | Base                                     |           | 1   |
| 18 | Switch plate                             |           | 1   |
| 19 | Philips screw                            | M5X8      | 4   |
| 20 | Switch                                   |           | 1   |
| 21 | Bottom plate                             |           | 1   |
| 22 | Rubber feet                              |           | 4   |
| 23 | Large flat washer                        | D5        | 4   |
| 24 | Philips screw                            | M5x20     | 4   |
| 25 | Philips screw                            | M5X16     | 1   |
| 26 | Philips screw                            | M5X10     | 1   |
| 27 | Capacitor                                |           | 1   |
| 28 | Hex nut                                  | M5        | 2   |
| 29 | Capacitor clip                           |           | 1   |
| 30 | Hex bolt+Spring washer                   | M8x25     | 2   |
| 31 | Wire clip plate                          |           | 1   |
| 32 | Wire clip                                |           | 1   |
| 33 | Lead wire plug                           |           | 1   |
| 34 | Rotor                                    |           | 1   |
| 35 | Ball bearing                             | 205       | 2   |
| 36 | Nut                                      | M20 Right | 1   |



# MAINTENANCE

## PLEASE READ THE FOLLOWING CAREFULLY

THE MANUFACTURER AND/OR DISTRIBUTOR HAS PROVIDED THE PARTS LIST AND ASSEMBLY DIAGRAM IN THIS MANUAL AS A REFERENCE TOOL ONLY. NEITHER THE MANUFACTURER OR DISTRIBUTOR MAKES ANY REPRESENTATION OR WARRANTY OF ANY KIND TO THE BUYER THAT HE OR SHE IS QUALIFIED TO MAKE ANY REPAIRS TO THE PRODUCT, OR THAT HE OR SHE IS QUALIFIED TO REPLACE ANY PARTS OF THE PRODUCT. IN FACT, THE MANUFACTURER AND/OR DISTRIBUTOR EXPRESSLY STATES THAT ALL REPAIRS AND PARTS REPLACEMENTS SHOULD BE UNDERTAKEN BY CERTIFIED AND LICENSED TECHNICIANS, AND NOT BY THE BUYER. THE BUYER ASSUMES ALL RISK AND LIABILITY ARISING OUT OF HIS OR HER REPAIRS TO THE ORIGINAL PRODUCT OR REPLACEMENT PARTS THERETO, OR ARISING OUT OF HIS OR HER INSTALLATION OF REPLACEMENT PARTS THERETO.

**Record Product's Serial Number Here:** \_\_\_\_\_

**Note:** If product has no serial number, record month and year of purchase instead.

**Note:** Some parts are listed and shown for illustration purposes only and are not available individually as replacement parts.



**SAVE THESE INSTRUCTIONS.**

### Questions, Problems or Missing Parts?

*Before returning to a retailer, our exceptional customer service is available to help.*

*Call Us: 909.628.0880*

*Hours of Operation: 9 to 4pm PST, Monday - Friday*

*Email: [customer@xtremepowerusa.com](mailto:customer@xtremepowerusa.com)*



**PRODUCT MADE IN CHINA**