

STARIK®

· U · S · A

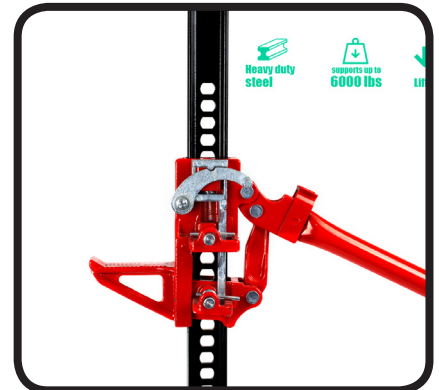
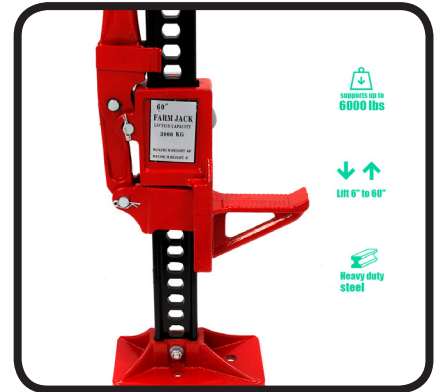
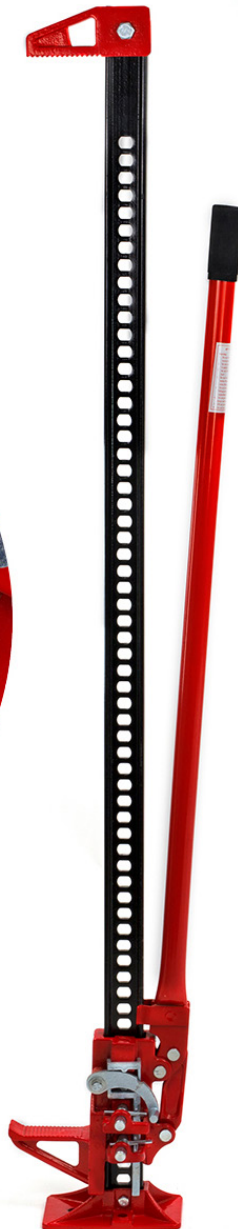
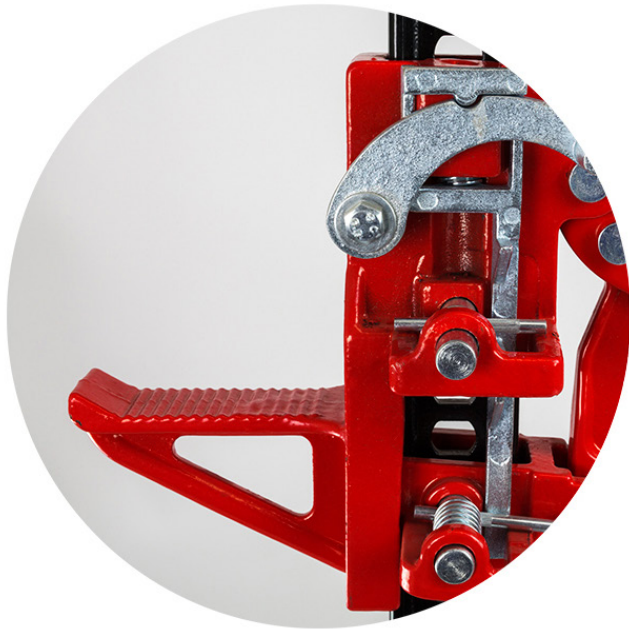
3 TON 60" OFF-ROAD FARM JACK LIFT BUMPER

ITEM: 50017


Heavy duty
steel


supports up to
6000 lbs


Lift 6" to 60"



OWNER'S MANUAL AND SAFETY INSTRUCTIONS

SAVE THIS MANUAL: KEEP THIS MANUAL FOR SAFETY WARNINGS, PRECAUTIONS, ASSEMBLY, OPERATING, INSPECTION, MAINTENANCE AND CLEANING PROCEDURES. WRITE THE PRODUCT'S SERIAL NUMBER ON THE BACK OF THE MANUAL NEAR THE ASSEMBLY DIAGRAM (OR MONTH AND YEAR OF PURCHASE IF PRODUCT HAS NO NUMBER).

For questions please call our customer support: (909) 628 4900 Mon-Fri 9am to 3pm PST

IMPORTANT SAFETY INFORMATION



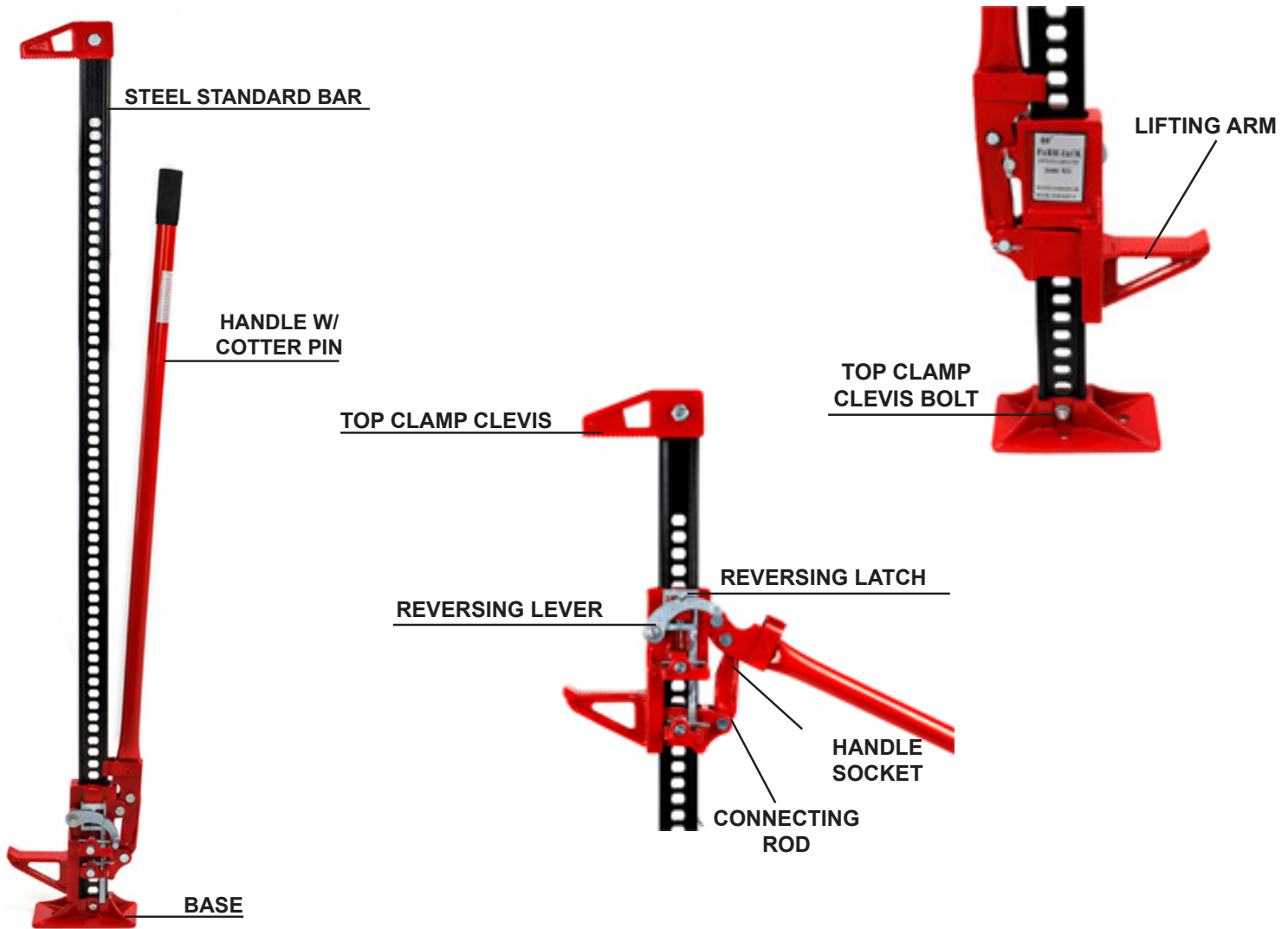
GENERAL SAFETY WARNINGS

Read all safety warnings and instructions. Failure to follow the warnings and instructions may result in serious injury. Save all warnings and instructions for future reference.

The warnings, precautions, and instructions discussed in this instruction manual cannot cover all possible conditions and situations that may occur. It must be understood by the operator that common sense and caution are factors which cannot be built into this product, but must be supplied by the operator. Read carefully and understand all ASSEMBLY AND OPERATION INSTRUCTIONS before operating. Failure to follow the safety rules and other basic safety precautions may result in serious personal injury.

- **Read and understand all instructions.** Failure to follow all instructions may result in serious injury or property damage.
- **DO NOT** allow persons to operate or assemble the product until they have read this manual and have developed a thorough understanding of how it works.
- **DO NOT modify this product in any way.** Unauthorized modification may impair the function and/or safety and could affect the life of the product. There are specific applications for which the product was designed.
- **Use the right tool for the job. DO NOT** attempt to force small equipment to do the work of larger industrial equipment. There are certain applications for which this equipment was designed. This product will be safer and do a better job at the capacity for which it was intended. **DO NOT** use this equipment for a purpose for which it was not intended.
- **DO NOT** exceed 6600 lb. rated capacity
- **Inspect the work area before each use.** Keep work area clean, dry, free of clutter, and well-lit. Cluttered, wet, or dark work areas can result in injury. Using the product in confined work areas may put you dangerously close to cutting tools and rotating parts.
- **Use only on hard, flat, level surfaces.**
- **Lifting device only. Immediately after lifting, support the vehicle with appropriate means.**
- **Keep children and bystanders away from the work area while operating the tool. DO NOT** allow children to handle the product.
- Stay alert, watch what you are doing, and use common sense when operating the tool. **DO NOT** use the tool while you are tired or under the influence of drugs, alcohol, or medication.
- **Wear the proper personal protective equipment when necessary.** Use ANSI Z87.1 compliant safety goggles also use non-skid safety shoes.
- **Lower load slowly in controlled fashion. Do not allow load to drop quickly.**
- **WARNING:** This product contains lead, a chemical known to the State of California to cause cancer and birth defects or other reproductive harm. (California Health & Safety Code § 25249.5, et seq.)
- **Check for damaged parts before each use.** Carefully check that the product will operate properly and perform its intended function. Replace damaged or worn parts immediately. Never operate the product with a damaged part.
- **Be aware of dynamic loading! Sudden load movement may briefly create excess load causing product failure.**

DIAGRAM AND SPECIFICATIONS



SPECIFICATIONS 60" FARM JACK

MAXIMUM LOAD CAPACITY: 3 TONS / 6600 LBS

MAXIMUM RAISED HEIGHT: 60"

This multi-functional farm jack is great for lifting tractors or heavy trucks, pulling posts and poles, and even serves as an all-purpose hoist or winch. Whether pulling posts and poles or lifting heavy vehicles, this versatile high-lift farm jack handles it all. You can even use this all-purpose farm jack as a come-along to stretch fence, recover a vehicle or uproot saplings.

- Multipurpose design for lifting, pulling and spreading
- Ideal for lifting off-road vehicles and field equipment
- Ratcheting action to speed thru the toughest job
- HD steel construction supports up to 6,000 lbs
- Adjustable top clevis clamp can be moved to any position on the upright
- Lifting range: 6" to 60"
- Mounting holes: 3 x 5/16"
- Base dimension: 7" x 4"
- Jaw dimension: 1/2" (W) x 3-1/2" (L)
- Dimension: 4" x 10" x 60-1/2" (handle folded)

LIFTING A LOAD:

1. Place the Jack on a stable area to prevent shifting or slipping.
2. With the Reversing Lever (10) in the down position, move the Lifting Arm (1) to the desired position on the Steel Rail (2) and place the Lifting Arm completely under the object to be lifted.
3. To raise the load, pull up on the Reversing Lever until the notch on the Lever engages the protrusion on the Reversing Latch (11), locking it in the up position.
4. Slowly pump the Handle (4) to raise the load. Always keep a firm grip on the Handle while operating the Jack.
5. After the load is raised to the desired height, insert a Grade 5, 1/2" bolt (sold separately) through the hole in the Steel Rail immediately below the lifting mechanism as a safety precaution.
6. Insert additional supports to make sure the load is properly supported at the lift point to prevent shifting.

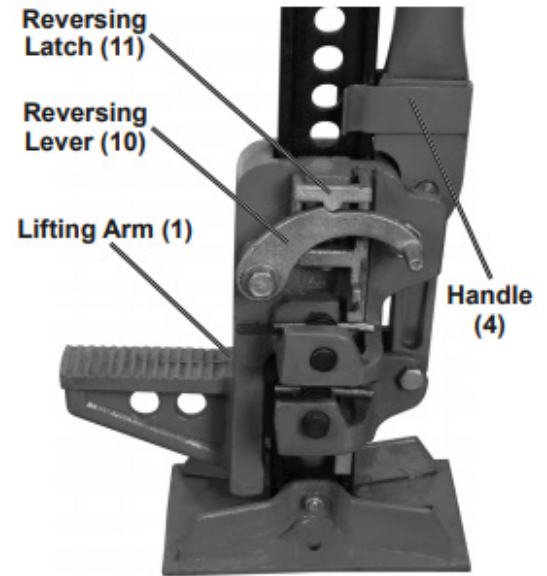


Figure A: Reversing Lever in *Up* Position

NOTE: When the Reversing Lever is in the down position and there is no load on the Jack, the ratcheting mechanism allows the Lifting Arm to move freely up or down on the Steel Rail.

WARNING: Dynamic loading may under certain circumstances create a situation where the actual weight being held or lifted is far in excess of Jack or bolt capacity. DO NOT drop weight onto the Lifting Arm, or allow sudden motion of the Lifting Arm, as this may shear the 1/2" bolt or cause the Jack to fail.

NOTE: Do not use extensions on the handle. Always keep a firm grip on the handle.

LOWERING A LOAD:

1. Place the Handle (4) in the upright position and remove the 1/2" safety bolt placed through the Steel Rail (2) before tripping the Reversing Lever (10) to lower the load.
2. Place the Reversing Lever in the down position.
3. Slowly pump the Handle to lower the load. Continue pumping the Handle until the load rests on the ground.

NOTE: To lower loads one raised level at a time, the Jack must be loaded with 110 lb. (50 kg) or more. Otherwise, the Lifting Arm (1) will drop when the Reversing Lever is placed in the down position.

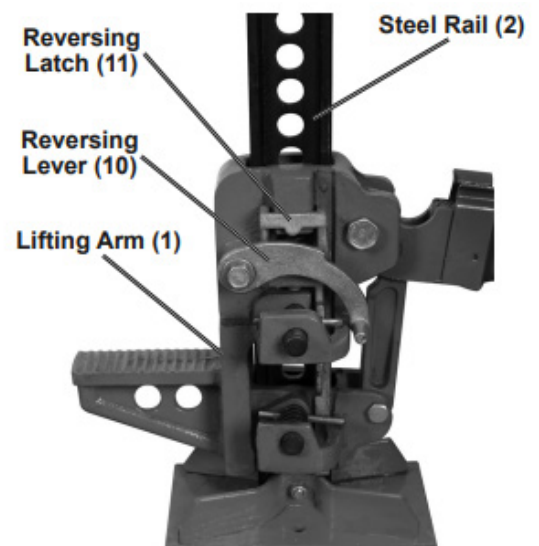


Figure B: Reversing Lever in *Down* Position

DISCLAIMER

PLEASE READ THE FOLLOWING CAREFULLY

THE MANUFACTURER AND/OR DISTRIBUTOR HAS PROVIDED THE PARTS LIST AND ASSEMBLY DIAGRAM IN THIS MANUAL AS A REFERENCE TOOL ONLY. NEITHER THE MANUFACTURER OR DISTRIBUTOR MAKES ANY REPRESENTATION OR WARRANTY OF ANY KIND TO THE BUYER THAT HE OR SHE IS QUALIFIED TO MAKE ANY REPAIRS TO THE PRODUCT, OR THAT HE OR SHE IS QUALIFIED TO REPLACE ANY PARTS OF THE PRODUCT. IN FACT, THE MANUFACTURER AND/OR DISTRIBUTOR EXPRESSLY STATES THAT ALL REPAIRS AND PARTS REPLACEMENTS SHOULD BE UNDERTAKEN BY CERTIFIED AND LICENSED TECHNICIANS, AND NOT BY THE BUYER. THE BUYER ASSUMES ALL RISK AND LIABILITY ARISING OUT OF HIS OR HER REPAIRS TO THE ORIGINAL PRODUCT OR REPLACEMENT PARTS THERETO, OR ARISING OUT OF HIS OR HER INSTALLATION OF REPLACEMENT PARTS THERETO.

Record Product's Serial Number Here: _____

Note: If product has no serial number, record month and year of purchase instead.

Note: Some parts are listed and shown for illustration purposes only and are not available individually as replacement parts.



SAVE THESE INSTRUCTIONS.

The material in this manual is for informational purposes only. The product(s) it describes are subject to change without prior notice, due to the manufacturer's continuous development program. Stark Tools makes no representations or warranties with respect to this manual or with respect to the products described herein. Stark Tools shall not be liable for any damages, losses, costs or expenses, direct, indirect or incidental, consequential or special, arising out of, or related to the use of this material or the products described herein.

Questions, issues or missing parts?

Before returning to your retailer, our customer service team is here to help.



Call Us: 909.628.4900

Email Us: info@starktoolsusa.com

Hours of Operation: 9am - 3pm PST Monday - Friday

PRODUCT MADE IN CHINA