



CUTTER SAW 16 IN.52CC W/BLADE

ITEM:50133



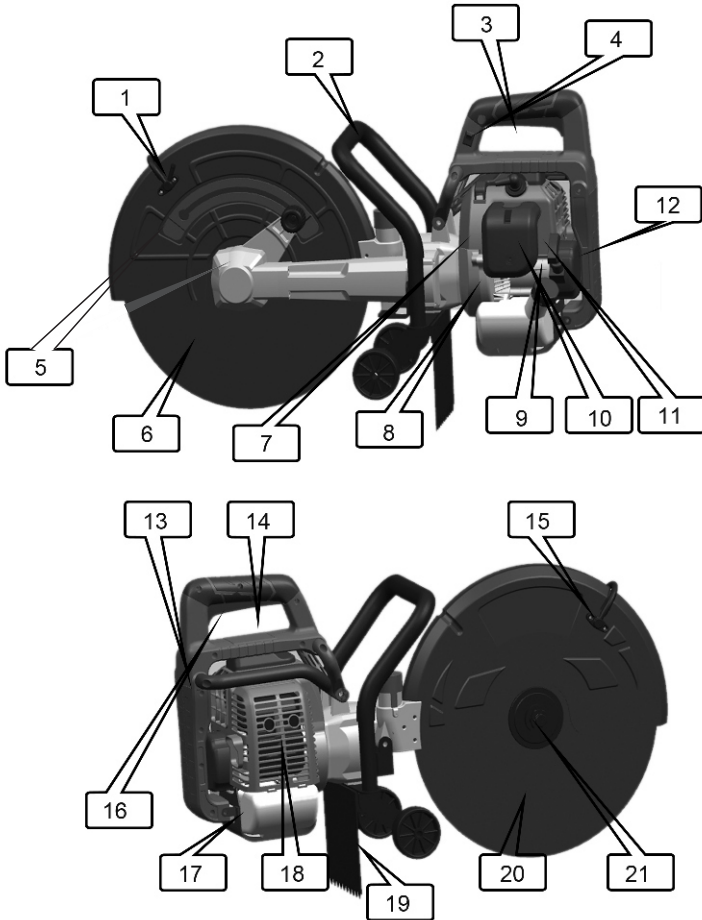
OWNER'S MANUAL AND SAFETY INSTRUCTIONS

SAVE THIS MANUAL: KEEP THIS MANUAL FOR SAFETY WARNINGS, PRECAUTIONS, ASSEMBLY, OPERATING, INSPECTION, MAINTENANCE AND CLEANING PROCEDURES. WRITE THE PRODUCT'S SERIAL NUMBER ON THE BACK OF THE MANUAL NEAR THE ASSEMBLY DIAGRAM (OR MONTH AND YEAR OF PURCHASE IF PRODUCT HAS NO NUMBER).

FOR QUESTIONS PLEASE CALL OUR CUSTOMER SUPPORT: (909) 628 0880 MON-FRI 9AM TO 3PM PST

PRODUCT INFORMATION

No.	Name of Part	No.	Name of Part	No.	Name of Part
1	Protective Cover	8	Fuel Bubble	15	Cooling Water Tower+Water Pipe
2	Assist Handle	9	Fuel Tank Filler	16	Gas Switch
3	Ignition Coil	10	Air Filter	17	Protection Rack of Fuel Tank
4	Flame-off Switch	11	Throttle Switch	18	Muffler
5	Casing	12	Starter	19	Dust Board
6	Reduction Gearbox	13	Switch Handle	20	Saw blade
7	Throttle Line	14	Support	21	Binder Plate



SAFETY WARNINGS

WARNING

Read all safety warnings and instructions. Failure to follow the warnings and instructions may result in injury and/or property damage. Save all warnings and instructions for future reference.

The warning and safety instructions in this manual are not meant to cover all possible conditions and situations that may occur. Common sense, caution and care must be exercised when operating or cleaning tools and equipment. Always contact your dealer, distributor, service agent or manufacturer about problems or conditions you do not understand before operating the product.

- **Keep the work area clean and well lit.** A cluttered work area may cause accidents. Never allow children to use this product. When operating this product, keep children and animals at a safe distance from the work area.
- **Do not operate the unit near any flammables or combustible materials.** Sparks generated by the machine can ignite dust and cause a fire.
- **Observe appropriate work area conditions.** Do not use or store the power cutter in damp or wet locations. Do not expose to rain.
- **Use appropriate safety gear and proper eye protection when operating the cutter.**
- **Keep children, pets and bystanders away when using the cutter.** Children must never be allowed in the work area.
- **In forests, mountains, grasslands and other field sites, fire prevention measures should be taken when using the cutter.** Check with local safety codes before operating the cutter.
- **Dress properly.** Do not wear loose clothing or jewelry as they can be caught in moving parts. Protective, electrically non-conductive clothes and non-skid footwear are recommended when working. Wear restrictive hair covering to contain long hair.
- **After unpacking the unit, inspect carefully for any damage that may have occurred during transit.** Make sure to tighten fittings, bolts, etc. before putting unit into service.
- **Use the auxiliary handle provided with the tool.** Mispoperation may cause accidents.
- **Do not operate if under the influence of alcohol or drugs.** Read warning labels if taking prescription medicine to determine if your judgement or reflexes are impaired while taking drugs. Keep awake and alert, pay attention to what you are doing. Distraction while operating the machine can cause serious injuries.
- **Maintenance.** For your safety, maintenance should be performed regularly by a qualified technician.

SAFETY WARNINGS

- **Gasoline is flammable and should be replenished in a well-ventilated environment.** Turn off the engine when adding oil.
- **Do not overfill.** If there is any fuel spillage, wait until the fuel has completely evaporated before starting the machine.
- **After refueling, tighten the lid of the oil can.** During the working process, check the oil tank frequently to see if there is any leakage. If there is leakage, stop and replace it immediately.
- **Tanks rust from moisture build-up, which weakens the tank.** Make sure to drain tank regularly and inspect periodically for unsafe conditions such as rust formation and corrosion.
- **Before each use, be sure to check whether the fastening screw of the connector is tightened.** If it is loose, fasten the screw before use.
- **WARNING!** Do not spray flammable materials in vicinity of open flame or near ignition sources including the unit.
- When lifting the machine, do not pull the throttle to let the machine run.
- Handles should be kept dry, clean and free of oil or fuel mixtures.
- Pure gasoline (not two-stroke oil) should not be used.
- Enclosed areas must have adequate air flow such as tunnels, ditches etc. The exhaust gas contains carbon oxide. A fan should be provided for ventilation.
- Rapid acceleration or braking is prohibited to avoid damaging the machine.
- Before transporting, empty all fuel from the fuel tank to prevent leakage.

SAVE THESE WARNINGS.

ADDING FUEL

1. **FUEL:** Use only high-quality two-stroke oil that contains gasoline with a mixture ratio of 25:1



WARNING: Do not smoke while filling the tank. Keep all ignition sources away from the fuel tank to avoid fires. Mix the gasoline and oil in a separate clean container and inject.



WARNING: Wipe up all fuel spills before starting.

2. Start the engine

- (1) Place the tool on solid ground.
- (2) Fill the 25:1 ratio mixture into the fuel tank.
- (3) Repeatedly press the oil absorption bubble to make the fuel into the carburetor.(Figure 3)
- (4) When starting, push the flame-off switch to on position “ 1 ” and the off position “ 0 ” . (Figure3-1)



Figure 3

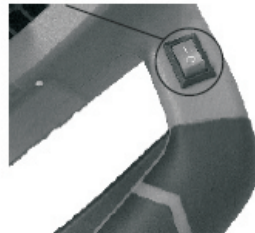


Figure 3-1

OPERATION

5. Hold the handle tightly and pull the recoil starter forcefully. Do not loosen the rope until the end. Figure 3-2



Figure 3-2

6. Before the cold engine starts, the throttle switch pull rod is pushed to the START position, which is in a CLOSED state. After the engine starts normal operation, the throttle switch pull rod is pushed to the RUN position, which is the OPEN state. Figure 3-3

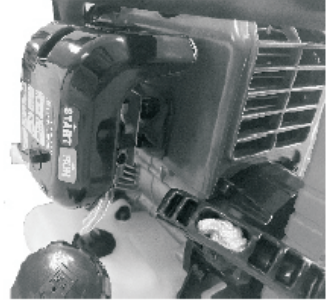


Figure 3-3

WARNING: Once the engine starts, do not leave the tool. Hold the handle tightly so the tool doesn't move back and forth on the foundation or ground. Before and during operation, maintain a stable posture and stay in a safe position to prevent slipping.

OPERATION

1. Install the saw blade or cutting blade correctly and lock the pressure plate.
2. Operate the throttle cable switch, let the engine slowly idle. Preheat about half a minute to make the mechanical part run normally. Confirm there is no shaking.
3. During operation, keep attention focused. Hold the handle to keep your body balanced and uniform.

Engine Stop

1. Press the stop switch to stop engine rotation. Figure 3-1
2. Put the tool on smooth ground and wrap the saw blade to prevent scratches.

TROUBLESHOOTING

Example 1: Difficulties in starting engine in cooling state.

Whether Spark Plug is damp → Wipe dry Spark Plug



Whether the spark plug produces electric spark → Replace Spark Plug



Too much fuel absorbed → Reduce the fuel supply

Example 2: Difficulties in restarting after a sudden stop

Whether fuel is used up or carburetor is blocked → Refill Fuel tank or clean carburetor



Whether fuel filter is blocked → Clean fuel filter



Too much carbon deposit of Spark Plug → Remove carbon deposit of Spark Plug and clean filter element

Example 3: Slow speed and weak power

Carbon deposit of the cylinder or silencer → Remove carbon deposit



Whether the oil tube and the air vent of the fuel Tank is blocked → Clean



Air filter is blocked → Clean filter

Example 4: Abnormal sound

Carbon deposit found in combustion chamber → Remove carbon deposit



Serious abrasion in active components → Replace

Example 5: The machine is working normally but the work efficiency is very low

Rubber ring of impact piston is aged and worn → Replace or renew

Please contact with local Sales Agent or contractual maintenance site for maintenance.

PRODUCT DATA

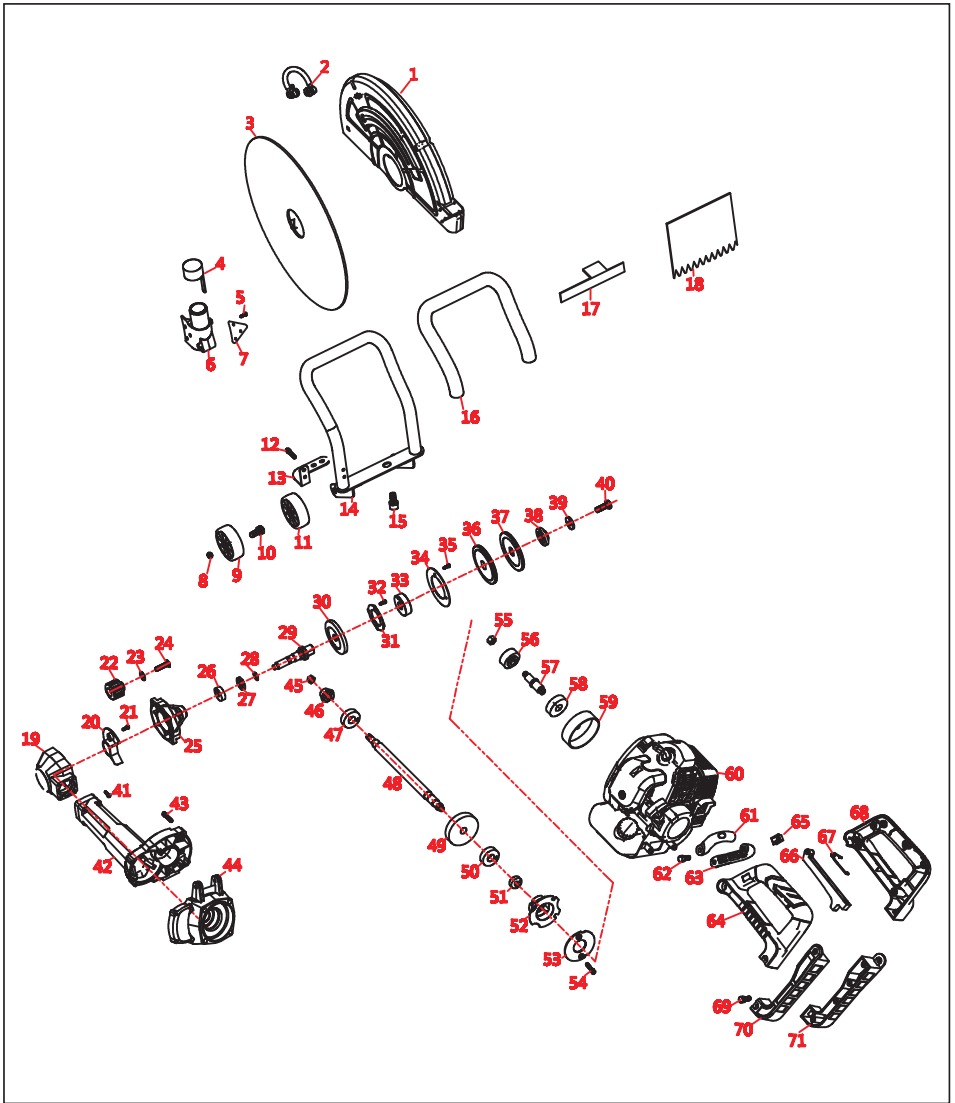
Key Data of Product

Engine type	Single cylinder, air cooling, 2 stroke
Model	50133
Fuel	Mixed oil (Gasoline: two-stroke engine oil=25:1)
Fuel tank capacity	1.3L
Weight	38LBS
Displacement	52CC
Max power and speed	2.0kw/8500r/min
Max torque and speed	2.4N.m/5000r/min
Fuel consumption rate	≤0.60L/h
Starter system	Hand pull start

MAINTENANCE SCHEDULE

The following Data are common data of the product. Under worse working conditions such as thick dust or long work hours of pile driver, the maintenance cycle should be shortened correspondingly.		Before work	After work or every day	After Filling oil	Every Week	Every Month	Temporary Failure	If necessary
The whole machine	Outlook check (state, tightness of screws)	√		√				
	Clean		√					
Control handle/stop button	Function check	√		√				
Air Filter	Clean				√			√
	Replace						√	
Fuel Filter	Check					√		
	Replace						√	
Petrol Tank/Petrol Tank cover	Clean		√	√				
	Check	√		√				
	Tighten							√
Gear Box/Cylinder	Clean					√		
	Add oil							√
Silencer	Check					√		
	Remove carbon deposit							√
Cylinder Cooling Fin	Check					√		
	Clean							√
Spark Plug	Check/Adjust the distance between electrodes					√		
	Replace							√
Screw and Nut	Check	√		√				
	Tighten							√

PARTS EXPLODED VIEW



PARTS EXPLODED VIEW

Parts No.	Name	Parts No.	Name
1	Grinding Wheel Guard	37	Top Press Plate
2	The Cooling Water Tower	38	Press Plate
3	405 Saw Blade	39	Flat Gasket 10*20*3
4	Rubber Cover	40	Inner Hexagon Screw M10*25
5	Flat Screw M4*8	41	Inner Hexagon Screw M6*45
6	Water Outlet	42	Transmission Drum
7	Triangular Iron Plate	43	Inner Hexagon Screw M5*30
8	Screw Nut M8	44	Middle Cover
9	Wheel	45	Screw Nut M10
10	Inner Hexagon Screw M8*45	46	Small Gear
11	Wheel	47	Bearing 6203
12	Screw M6	48	Transmission Shaft
13	Handle connect the Bend Handle	49	Flat Gear
14	Iron Handle	50	Bearing 6203
15	Inner Hexagon Screw M12*25	51	Bearing 6000
16	Handle Sleeve	52	Plastic oil-proof Cover for Transmission Drum
17	Fender Binder Plate	53	Plastic oil-proof Cover for Middle Cover
18	Rubber Fender	54	Three sets of Assembly Screws M4*12
19	Head Housing	55	Screw Nut M10
20	Plastic oil-proof Cover for Head Housing	56	Middle Gear
21	Three sets of Assembly Screws M5	57	Middle Gear Shaft
22	Hand Wheel	58	Bearing 6303
23	Screw Nut M8	59	Passive Plate
24	Screw 8*16	60	Engine
25	Aluminum Front Cover	61	Connecting Rod (LEFT)
26	Bearing 6200	62	Inner Hexagon Screw M8*20
27	Oil Seal 20*28*4.5	63	Connecting Rod (RIGHT)
28	Spindle Ø15	64	Left Handle
29	Output Spindle	65	Flame-off Switch
30	Big Gear	66	Throttle Switch
31	Bearing Gland 6303	67	Torsional Spring
32	Spring Washer M5*12	68	Right Handle
33	Bearing 6303	69	Screw M6*15
34	Gland	70	Handle connecting Cover (LEFT)
35	Three Sets with Hex Socket M5*12	71	Handle connecting Cover (RIGHT)
36	Down Press Plate		

DISCLAIMER

PLEASE READ THE FOLLOWING CAREFULLY

THE MANUFACTURER AND/OR DISTRIBUTOR HAS PROVIDED THE PARTS LIST AND ASSEMBLY DIAGRAM IN THIS MANUAL AS A REFERENCE TOOL ONLY. NEITHER THE MANUFACTURER OR DISTRIBUTOR MAKES ANY REPRESENTATION OR WARRANTY OF ANY KIND TO THE BUYER THAT HE OR SHE IS QUALIFIED TO MAKE ANY REPAIRS TO THE PRODUCT, OR THAT HE OR SHE IS QUALIFIED TO REPLACE ANY PARTS OF THE PRODUCT. IN FACT, THE MANUFACTURER AND/OR DISTRIBUTOR EXPRESSLY STATES THAT ALL REPAIRS AND PARTS REPLACEMENTS SHOULD BE UNDERTAKEN BY CERTIFIED AND LICENSED TECHNICIANS, AND NOT BY THE BUYER. THE BUYER ASSUMES ALL RISK AND LIABILITY ARISING OUT OF HIS OR HER REPAIRS TO THE ORIGINAL PRODUCT OR REPLACEMENT PARTS THERETO, OR ARISING OUT OF HIS OR HER INSTALLATION OF REPLACEMENT PARTS THERETO.

Record Product's Serial Number Here: _____

Note: If product has no serial number, record month and year of purchase instead.

Note: Some parts are listed and shown for illustration purposes only and are not available individually as replacement parts.

The material in this manual is for informational purposes only. The product(s) it describes are subject to change without prior notice, due to the manufacturer's continuous development program. XtremePowerUS makes no representations or warranties with respect to this manual or with respect to the products described herein. XtremePowerUS shall not be liable for any damages, losses, costs or expenses, direct, indirect or incidental, consequential or special, arising out of, or related to the use of this material or the products described herein.

Questions, issues or missing parts?

Before returning to your retailer, our customer service team is here to help.



Call Us: 909.628.0880

Email Us: customer@xtremepowerusa.com

Hours of Operation: 9am - 3pm PST Monday - Friday

MADE IN CHINA