



**CONCRETE VIBRATOR 2HP 2200W**

**ITEM: 61064**



## **OWNER'S MANUAL AND SAFETY INSTRUCTIONS**

**SAVE THIS MANUAL: KEEP THIS MANUAL FOR SAFETY WARNINGS, PRECAUTIONS, ASSEMBLY, OPERATING, INSPECTION, MAINTENANCE AND CLEANING PROCEDURES. WRITE THE PRODUCT'S SERIAL NUMBER ON THE BACK OF THE MANUAL NEAR THE ASSEMBLY DIAGRAM (OR MONTH AND YEAR OF PURCHASE IF PRODUCT HAS NO NUMBER)**

**FOR QUESTIONS PLEASE CALL OUR CUSTOMER SUPPORT: (909) 628 0880 MON-FRI 9AM TO 3PM PST**





## GENERAL SAFETY WARNINGS

Read all safety warnings and instructions. Failure to follow the warnings and instructions may result in electric shock, fire and/or serious injury. Save all warnings and instructions for future reference.

- Keep area well lit. Cluttered or dark areas invite accidents.
- **DO NOT** operate power tools in an explosive atmosphere, such as in the presence of flammable liquids, gases or dust. Power tools create sparks which may ignite dust or fumes.
- This appliance is not intended for use by persons, including children with reduced sensory or mental capabilities or lack of experience or knowledge.
- Keep children and bystanders away while operating the power tool. Distractions can cause the user to lose control.

## ELECTRICAL SAFETY

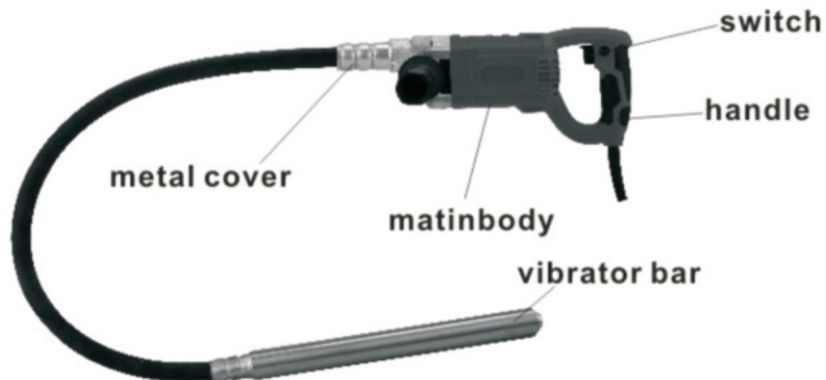
- Power tool plugs must match the power outlet. Never modify the plug on this power tool in any way.
- **DO NOT** use any adapter plugs with earthed (grounded) power tools. Unmodified plugs and matching outlets will reduce the risk of electric shock.
- Always use an approved extension lead suitable for the power input for this tool. Before use, inspect the extension lead for signs of damage, wear or aging. Replace the extension lead if damaged or defective.
- Power tool plugs must match the outlet. Never modify the plug in any way. **DO NOT** use any adapter plugs with grounded power tools. Unmodified plugs and matching outlets will reduce risk of electric shock.
- Avoid body contact with grounded surfaces such as pipes, radiators, ranges and refrigerators. There is an increased risk of electric shock if your body is grounded.
- **DO NOT** expose power tools to rain or wet conditions. Water entering a power tool will increase the risk of electric shock.
- **DO NOT** abuse the cord. Never use the cord for carrying, pulling or unplugging the power tool. Keep cord away from heat, oil, sharp edges or moving parts. Damaged or entangled cords increase the risk of electric shock.
- When operating a power tool outdoors, use an extension cord suitable for outdoor use. Use of a cord suitable for outdoor use reduces the risk of electric shock.
- If operating a power tool in a damp location is unavoidable, use a Ground Fault circuit interrupter (GFCI) protected supply. Use of a GFCI reduces the risk of electric shock.
- Stay alert, watch what you are doing and use common sense when operating a power tool. **DO NOT** use a power tool while you are tired or under the influence of drugs, alcohol or medication. A moment of inattention while operating power tools may result in serious personal injury.
- Use personal protective equipment. Always wear eye protection. Safety equipment such as dust mask, non-skid safety shoes, hard hat, or hearing protection used for appropriate conditions will reduce personal injuries.
- **DO NOT** force the power tool. Use the correct power tool for the application.
- **DO NOT** use the power tool if the power switch does not turn on or off.
- Disconnect the plug from the power source and/or the battery pack from the power tool before making any adjustments, changing accessories or storing power tools.

- Store idle power tools out of the reach of children and do not allow persons unfamiliar with the power tool or these instructions to operate the tool.
- Power tools are dangerous in the hands of untrained users. Maintain power tools. Check for misalignment or binding of moving parts, breakage of parts and any other condition that may affect the power tool's operation. If damaged, have the power tool repaired before use.
- Keep cutting tools clean and sharp. Properly maintained cutting tools with sharp edges are less likely to bind and are easier to control.
- Use the power tool and accessories in accordance with these instructions. Take into account the working conditions and the work to be performed.
- Never use the power tool in locations where materials like lacquer, paint, benzene, thinner, cigarettes or gasoline are present. Explosion or fires may result.
- If you notice the unit is operating poorly or making abnormal noises, immediately stop using the power tool and shut the power tool off. Have the power tool inspected and repaired by a professional technician.
- If the unit is mistakenly dropped or strikes another object, make a thorough check of the unit for cracks, breakage or deformation. Injuries may result if the unit cracks, breakage or deformation.
- **DO NOT** use near objects generating high heat such as stoves. Fires might occur if used near such locations.
- **DO NOT** leave on locations such as benches or floors while still rotating. Injuries might occur.

**SAVE THESE WARNINGS.**

# Concrete vibrator

## Product construction:



## Inspection

Pull the mains plug out before any work on the machine itself.

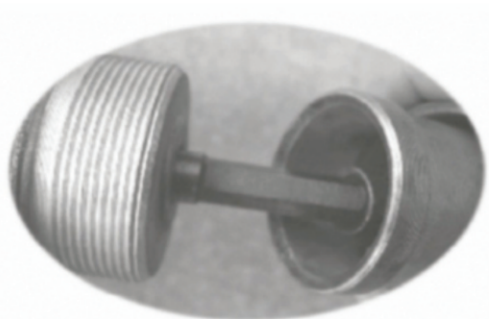
1. The brushes should be checked periodically and worn-out brushes should be replaced in time. After replacing, inspect whether the new brushes can move freely in the brush holder, keep running the motor for 15 minutes to match the contact of the brushes and commutator.
2. Keep the ventilation slots clear from dirt, clean off the accumulated dust, oil and dirt periodically.
3. If any malfunction happens during normal operation, the power supply should be cut off immediately and the tool should be checked and repaired.
4. Regularly inspect all mounting screws and ensure that they are properly tightened, should any of the screws be loose, tighten them up immediately. Failure to do so could result in personal injury or damage to the machine.
5. Do not expose the tool to rain; do not use power tools in damp or wet locations. Keep the work area well lit. Do not use power tools where there is risk to cause fire or explosion.

## Technical Parameters:

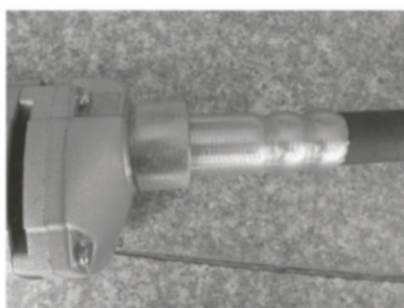
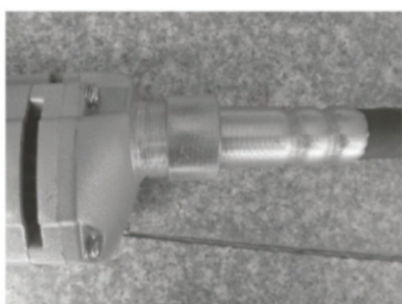
<b>MODEL:</b>	61064
Rated Input Power	2200W
No-load Speed	5000r/min
Rated voltage	110V~
Rated frequency	60Hz

## Installation instructions:

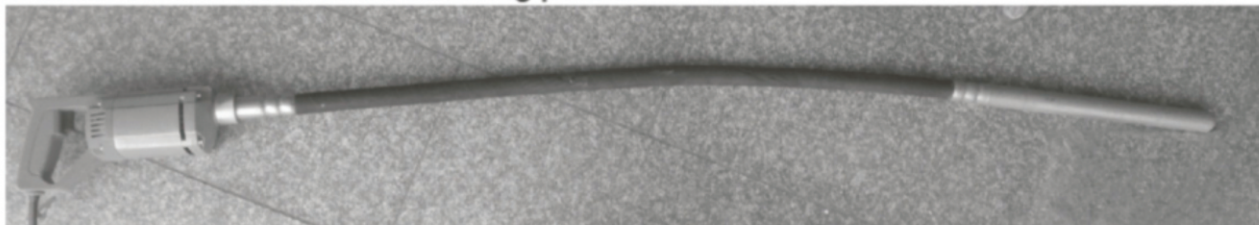
1. Aim the axis of the machine head at the vibration bar's hole, as shown in the following picture



2. Follow the direction of the thread to tighten as shown in the following picture



- 3 Assemble as shown in the following picture



## Application

Apply to concrete casting.

## Operation instruction

1. Overall inspection of the tool.
2. Make sure the main supply is 110V~ before you plug in.
3. Power on the product without the vibrator bar for more than 1 minutes, to check whether the motor runs smoothly.
4. If the motor works fine, then unplug the tool; assemble the vibrator bar according the installation instructions above.
5. Power on the product after assembly and press the switch to use.

(There is a lock key near the switch. You can press the lock key to keep the product on working status.)

6. Turn off the switch and power off after use and make sure it's properly cleaned and stored.

## **Maintenance**

1. Consult a professional to change the vibrator's carbon brush and check the spring pressure regularly.
2. Check whether the vibrator's body is in good condition; make sure the vibrator vibrates smoothly.
3. Ask a professional to check the condition of each part regularly. Change the parts which are not fit for use in time.
4. Fasten any screws that came loose during operation.
5. Regularly check whether the rotating part's bearing, gear and cooling fan blade are flexible and in good condition, timely add oil to the rotating part in order to extend the service life of the vibrator.

## **Safe Operation**

1. Must concentrate when at work. Not only keep your head clear, but also rationally operate the electrical tools. It is strictly forbidden to operate machines under the influence of alcohol, stimulants or drugs.
2. The vibrator casing must be protected by a grounding wire or a neutral wire.
3. Protect the vibrator's wire. To prevent damage it is strictly forbidden to drag the wire everywhere. It is also not allowed to drag the wire into oily water to prevent corrosion.
4. Check whether the insulation and switch are good.
5. Install the vibration bar using appropriate force, then wait several minutes before usage and use it only after it runs normally.
6. Pay attention to your posture when at work, don't treat it casually, make sure to stand stable and keep your balance at any time when operating the machine.
7. When using the vibrator in damp places, you must wear rubber shoes and rubber gloves, stand on a rubber mat or dry wood to prevent electric shock. Safety precautions must be taken when climbing or in an air tight area.

8. Please stop work immediately when the vibrator has a high temperature and stop using it until it cools down.
9. You cannot disassemble and change vibration bar until the vibrator has completely stopped moving. Do not disassemble and assemble the vibrator in unusual circumstances; the vibrator should be given to a professional to be repaired.
10. Cut off the electricity in case of a power outage, when having a rest or leaving the work place.
11. Wear suitable working clothes and not wear too loose ones. Be careful with jewelry, long hair or unbuttoned cufflinks.
12. Store in a suitable area, keep the vibrator and insulation products together.

### **Safety warning and precautions**

Read the instructions before operating this product. Keep these instructions and follow them to reduce the risk of fire, damage and personal injury.

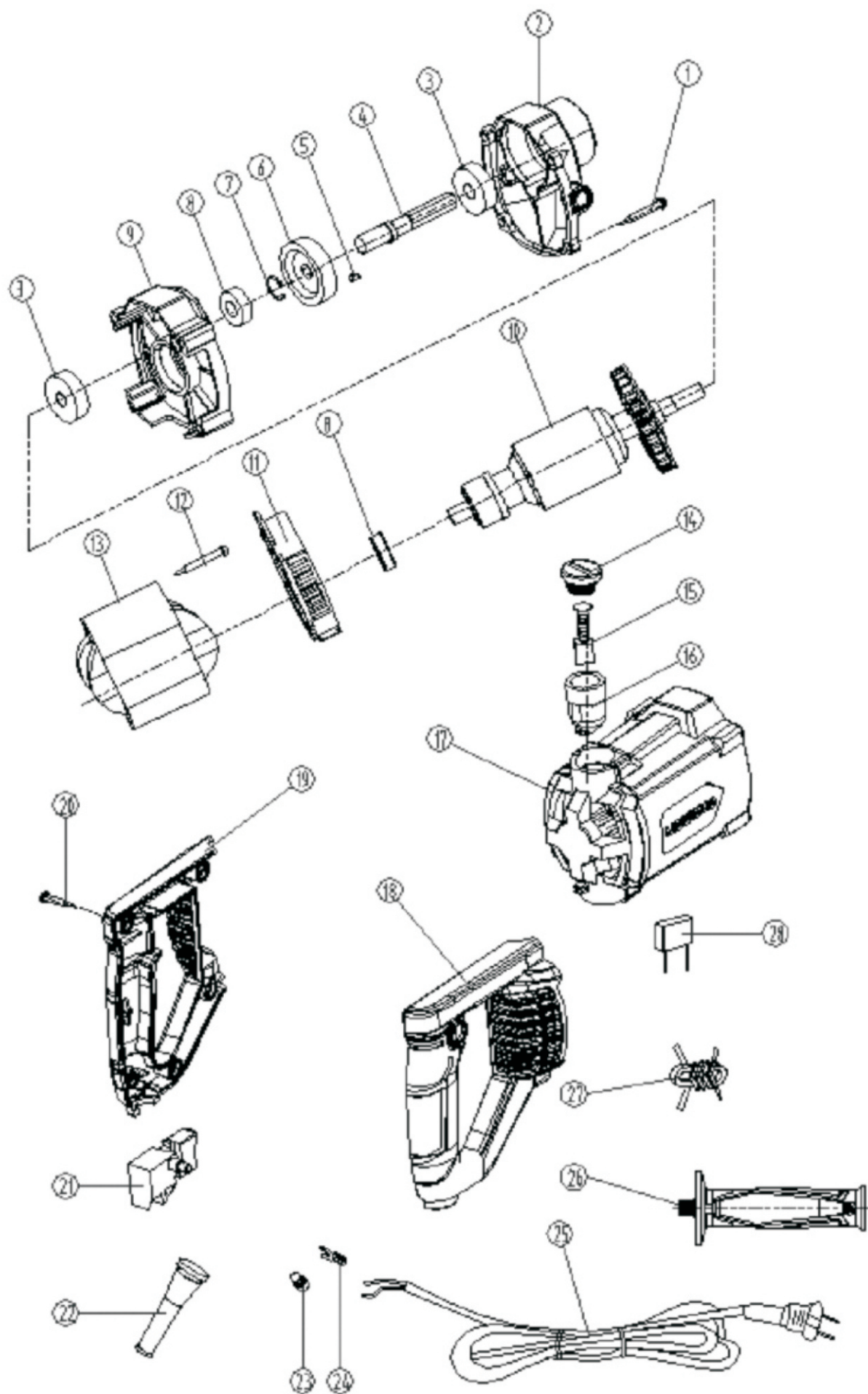
1. The electric motor has been designed for one voltage only. Always check that the power supply corresponds to the voltage on the rating plate.
2. Do not abuse the cord, never carry the tool by the cord or yank it to disconnect it from sockets. Keep the cord away from heat, oil, and sharp edges.
3. Avoid body contact with earth or ground surface. Do not carry the plug-in tools with a finger on the switch. Ensure the switch is turned off when plugging in, always wear earmuffs. Safety glasses and face masks while in operation. Always ensure the insulation in order. Always pay attention to the cable and cable guard. Use the standard parts. Do not use a coolant or water and do not use when the connection isn't in good operation and spark problem.

### **Trouble shooting**

Before you contact our service center, please check the following:

Problem	Possible reason	Advice
Motor does not start	-Power cord not firmly plugged into outlet. -Outlet damaged. -The product not switched on.	-Plug unit firmly. -Check the Outlet. -Switch on the appliance
Vibrator does not work	- Spring of the vibrator bar gets stuck	-Vibrate the vibrator bar on the ground when power on.
Sparks when working	-Motor's problem	-Ask a professional to repair





No	Decription	Quantity	No	Decription	Quantity
1.	Screw ST5*40	4	15.	954 Carbon brush	2
2.	954 Head Cover	1	16.	954 Brush holder	2
3.	6201 Bearing	2	17.	954 Housing	1
4.	Output spindle	1	18.	954 Right Handle	1
5.	Woodruff key3*10	1	19.	954 Left Handle	1
6.	954 Big gear	1	20.	Screw ST4*16	5
7.	Criclip for shaft	1	21.	954 Switch	1
8.	608 Bearing	2	22.	Acord sleeve	1
9.	954 Middle cover	1	23.	Buckle	1
10.	954 Armature	1	24.	4.2 Eye Sploce	1
11.	954 Fan shroud	1	25.	Cord	1
12.	Screw ST4*60	2	26.	Side handle	1
13.	954 Stator	1	27.	Inductance	1
14.	954 Brush cap	2	28.	0.33 Capacitance	1



## **PLEASE READ THE FOLLOWING CAREFULLY**

THE MANUFACTURER AND/OR DISTRIBUTOR HAS PROVIDED THE PARTS LIST AND ASSEMBLY DIAGRAM IN THIS MANUAL AS A REFERENCE TOOL ONLY. NEITHER THE MANUFACTURER OR DISTRIBUTOR MAKES ANY REPRESENTATION OR WARRANTY OF ANY KIND TO THE BUYER THAT HE OR SHE IS QUALIFIED TO MAKE ANY REPAIRS TO THE PRODUCT, OR THAT HE OR SHE IS QUALIFIED TO REPLACE ANY PARTS OF THE PRODUCT. IN FACT, THE MANUFACTURER AND/OR DISTRIBUTOR EXPRESSLY STATES THAT ALL REPAIRS AND PARTS REPLACEMENTS SHOULD BE UNDERTAKEN BY CERTIFIED AND LICENSED TECHNICIANS, AND NOT BY THE BUYER. THE BUYER ASSUMES ALL RISK AND LIABILITY ARISING OUT OF HIS OR HER REPAIRS TO THE ORIGINAL PRODUCT OR REPLACEMENT PARTS THERETO, OR ARISING OUT OF HIS OR HER INSTALLATION OF REPLACEMENT PARTS THERETO.

**Record Product's Serial Number Here:** \_\_\_\_\_

**Note:** If product has no serial number, record month and year of purchase instead.

**Note:** Some parts are listed and shown for illustration purposes only and are not available individually as replacement parts.



**SAVE THESE INSTRUCTIONS.**



### **Questions, problems, missing parts?**

Before returning to your retailer, our exceptional customer service is here to help.

Call Us: 909.628.0880

Email Us: [customer@xtremepowerusa.com](mailto:customer@xtremepowerusa.com)

Hours of Operation: 9am - 4pm (Monday - Friday)

**PRODUCT MADE IN CHINA**