



1000W 1-1/2" ELECTRIC JACK HAMMER CONCRETE BREAKER WITH CHISEL BITS & CASE

ITEM: 61105-XP



OWNER'S MANUAL AND SAFETY INSTRUCTIONS

SAVE THIS MANUAL: KEEP THIS MANUAL FOR SAFETY WARNINGS, PRECAUTIONS, ASSEMBLY, OPERATING, INSPECTION, MAINTENANCE AND CLEANING PROCEDURES. WRITE THE PRODUCT'S SERIAL NUMBER ON THE BACK OF THE MANUAL NEAR THE ASSEMBLY DIAGRAM (OR MONTH AND YEAR OF PURCHASE IF PRODUCT HAS NO NUMBER).

FOR QUESTIONS PLEASE CALL OUR CUSTOMER SUPPORT: (909) 628 0880 MON-FRI 9AM TO 3PM PST



GENERAL SAFETY WARNINGS

Read all safety warnings and instructions. Failure to follow the warnings and instructions may result in electric shock, fire and/or serious injury. Save all warnings and instructions for future reference.

SAFETY

The warnings, precautions, and instructions discussed in this instruction manual cannot cover all possible conditions and situations that may occur. It must be understood by the operator that common sense and caution are factors which cannot be built into this product, but must be supplied by the operator. Read carefully and understand all ASSEMBLY AND OPERATION INSTRUCTIONS before operating. Failure to follow the safety rules and other basic safety precautions may result in serious personal injury.

- **Read and understand all instructions.** Failure to follow all instructions may result in serious injury or property damage.
- **DO NOT** allow persons to operate or assemble the product until they have read this manual and have developed a thorough understanding of how it works.
- **DO NOT modify this product in any way.** Unauthorized modification may impair the function and/or safety and could affect the life of the product. There are specific applications for which the product was designed.
- **Use the right tool for the job. DO NOT** attempt to force small equipment to do the work of larger industrial equipment. There are certain applications for which this equipment was designed. This product will be safer and do a better job at the capacity for which it was intended. **DO NOT** use this equipment for a purpose for which it was not intended.
- Industrial or commercial applications must follow OSHA requirements.
- **Inspect the work area before each use.** Keep work area clean, dry, free of clutter, and well-lit. Cluttered, wet, or dark work areas can result in injury. Using the product in confined work areas may put you dangerously close to cutting tools and rotating parts.
- **DO NOT use the product where there is a risk of causing a fire or an explosion;** e.g., in the presence of flammable liquids, gases, or dust. The product can create sparks, which may ignite the flammable liquids, gases, or dust.
- **DO NOT allow the product to come into contact with an electrical source.** The tool is not insulated and contact will cause electrical shock.
- **Keep children and bystanders away from the work area while operating the tool. DO NOT** allow children to handle the product.
- **Be aware of all power lines, electrical circuits, water pipes, and other mechanical hazards in your work area.** Some of these hazards may be hidden from your view and may cause personal injury and/or property damage if contacted.

IMPORTANT SAFETY INFORMATION

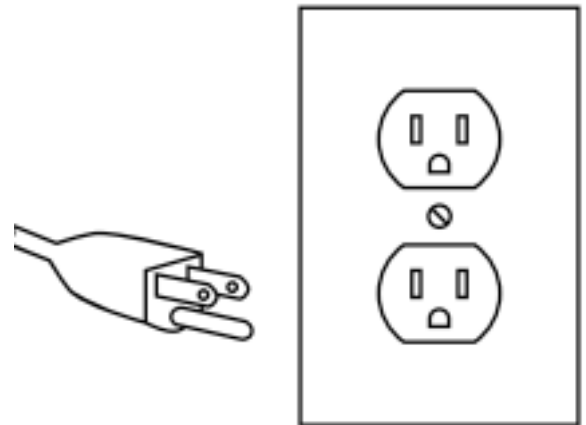
- Stay alert, watch what you are doing, and use common sense when operating the tool. **DO NOT** use the tool while you are tired or under the influence of drugs, alcohol, or medication.
- **Dress properly. DO NOT** wear loose clothing, dangling objects, or jewellery. Keep your hair, clothing and gloves away from moving parts. Loose clothes, jewellery, or long hair can be caught in moving parts. Air vents on the tool often cover moving parts and should be avoided.
- **Wear the proper personal protective equipment when necessary.** Use ANSI Z87.1 compliant safety goggles (not safety glasses) with side shields, or when needed, a face shield. Use a dust mask in dusty work conditions. Also use non-skid safety shoes, hard-hat, gloves, dust collection systems, and hearing protection when appropriate. This applies to all persons in the work area.
- **DO NOT overreach.** Keep proper footing and balance at all times.
- Remove keys or wrenches before connecting the tool to an air supply, power supply, or turning on the tool. A wrench or key that is left attached to a rotating part of the tool may cause personal injury.
- **Secure the work with clamps or a vise instead of your hand when practical.** This safety precaution allows for proper tool operation using both hands.
- **DO NOT force the tool.** Products are safer and do a better job when used in the manner for which they are designed. Plan your work, and use the correct product for the job.
- **Check for damaged parts before each use.** Carefully check that the product will operate properly and perform its intended function. Replace damaged or worn parts immediately. **NEVER** operate the product with a damaged part.
- **DO NOT use a product with a malfunctioning switch.** Any power tool that cannot be controlled with the power switch is dangerous and must be repaired by an authorized service representative before using.
- **Disconnect the power/air supply from the product and place the switch in the locked or off position before making any adjustments,** changing accessories, or storing the tool. Such preventive safety measures reduce the risk of starting the tool accidentally.
- **Store the tool when it is not in use.** Store it in a dry, secure place out of the reach of children. Inspect the tool for good working condition prior to storage and before re-use.
- **Use only accessories that are recommended by the manufacturer for use with your product.** Accessories that may be suitable for one product may create a risk of injury when used with another tool. **NEVER** use an accessory that has a lower operating speed or operating pressure than the tool itself.
- **Keep guards in place and in working order.** Never operate the product without the guards in place.
- **DO NOT leave the tool running unattended.**
- **ALWAYS** wear the proper protective equipment including ANSI Z87.1 compliant eye protection, NIOSH compliant breathing protection, anti-vibration work gloves, steel toed work boots, and a helmet.

VIBRATION SAFETY

This tool vibrates during use. Repeated or long-term exposure to vibration may cause temporary or permanent physical injury, particularly to the hands, arms and shoulders. To reduce the risk of vibration-related injury: **DO NOT** smoke during use. Nicotine reduces the blood supply to the hands and fingers, increasing the risk of vibration-related injury.

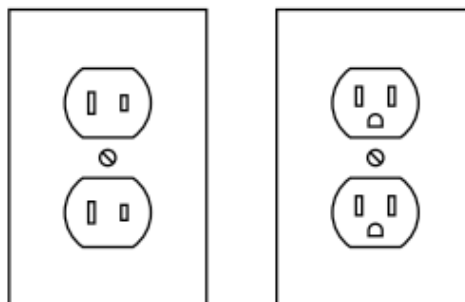
GROUNDING TOOL SAFETY

Check with a qualified electrician if you are in doubt as to whether an outlet is properly grounded. **DO NOT** modify the power cord plug provided with the tool. **NEVER** remove the grounding prong from the plug. **Do not use the tool if the power cord or plug is damaged.** If damaged, have it repaired by a service facility before use. If the plug will not fit the outlet, have a proper outlet installed by a qualified electrician.



3-Prong Plug and Outlet

1. Tools marked with “Grounding Required” have a three wire cord and three prong grounding plug. The plug must be connected to a properly grounded outlet. If the tool should electrically malfunction or break down, grounding provides a low resistance path to carry electricity away from the user, reducing the risk of electric shock.



Outlets for 2-Prong Plug

2. The grounding prong in the plug is connected through the green wire inside the cord to the grounding system in the tool. The green wire in the cord must be the only wire connected to the tool’s grounding system and must never be attached to an electrically “live” terminal.

3. Tools marked “Double Insulated” do not require grounding. They have a special double insulation system which satisfies OSHA requirements. Double insulated tools may be used in either of the 120 volt outlets shown below.

EXTENSION CORD SAFETY

Grounded tools require a three wire extension cord. Double Insulated tools can use either a two or three wire extension cord.

NAMEPLATE AMPERES (at full load)	EXTENSION CORD LENGTH				
	25'	50'	75'	100'	
0 – 2.0	18	18	18	18	16
2.1 – 3.4	18	18	18	16	14
3.5 – 5.0	18	18	16	14	12
5.1 – 7.0	18	16	14	12	12
7.1 – 12.0	18	14	12	10	-
12.1 – 16.0	14	12	10	-	-
16.1 – 20.0	12	10	-	-	-

* Based on limiting the line voltage drop to five volts at 150% of the rated amperes.

- 1. As the distance from the supply outlet increases, you must use a heavier gauge extension cord.** Using extension cords with inadequately sized wire causes a serious drop in voltage, resulting in loss of power and possible tool damage.
- 2. The smaller the gauge number of the wire, the greater the capacity of the cord.** For example, a 14 gauge cord can carry a higher current than a 16 gauge cord.
- 3.** When using more than one extension cord to make up the total length, make sure each cord contains at least the minimum wire size required.
- 4.** If you are using one extension cord for more than one tool, add the nameplate amperes and use the sum to determine the required minimum cord size.
- 5.** If you are using an extension cord outdoors, make sure it is marked with the suffix “W-A” (“W” in Canada) to indicate that it is acceptable for outdoor use
- 6. Make sure the extension cord is properly wired and in good electrical condition.** Always replace a damaged extension cord or have it repaired by a qualified electrician before using it.
- 7.** Protect the extension cords from sharp objects, excessive heat, and damp or wet areas.

PRODUCT INFORMATION

This 3000 RPM demolition jack hammer is ideal for easily tearing through concrete and mortar. It features a ball bearing construction for extended longevity as well as an adjustable 360 degree side handle and an ergonomic D-grip handle for fully control. This jack hammer is great for landscaping or extensive home remodeling.

FEATURES

- Voltage: 110 V/60 HZ
- Input Power: 1000W
- Hammer frequency: 3000BPM(RPM)
- Max. Drill Capacity Dia.: 1-1/2"/38MM

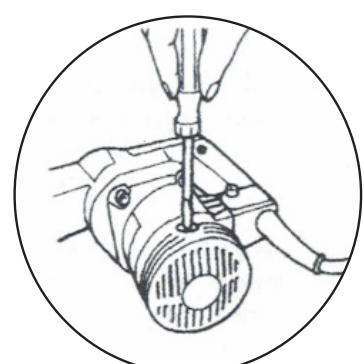
MODEL	810
VOLTAGE	120V~
INPUT	1000W
FULL-LOAD IMPACT RATE	3000 min
WEIGHT	6kg

PACKAGE CONTENTS

- 1 x 1-1/2" Demolition Jack Hammer
- 1 x Side Handle
- 1 x Point Chisel (5/8" Hex Shank)
- 1 x Flat Chisel (5/8" Hex Shank)
- 1 x Key Wrench
- 1 x Pair of Spare Carbon Brushes
- 1 x Carry Case
- 1 x User's Manual

APPLICATIONS

Crushing concrete, chipping, digging and squaring. Installation on piping, wiring, sanitary facility installation, machinery installation, water supply and drainage work, interior jobs, ahrbor facilitites and other civil engineering work.



MAINTENANCE AND INSPECTION

- 1. Inspecting the tool.** Use of a dull tool will cause the motor to malfunction and degrade. Be sure to replace with a new fresh blade when wear or abrasions are noticed.
- 2. Inspecting the mounting screws.** Regularly inspect all mounting screws and ensure that they are properly tightened. If any of the screws are loose, tighten them immediately. Failure to do this right away could result in serious injury or malfunction of the tool.
- 3. Maintenance of the motor.** The motor unit winding is the core of the power tool. Exercise care to ensure the winding does not become damaged and/or wet.
- 4. Inspecting the carbon brushes.** An excessively worn carbon brush could result in motor trouble. Replace the carbon brush with a new carbon brush of the same number when worn or near the “wear limit”. In addition, always keep carbon brushes clean and ensure that they slide freely within the brush holders.
- 5. Replacement of the carbon brush.** The carbon brush can be removed by removing the tail cover and brush cap in that order in the interior for brush replacement.
- 6. Inspection of the dust cover.** When the interior of the dust cover is worn, replace with a new dust cover. Simply remove the dust cover by pulling.

NOTE: Due to the continual research and development of this power tool, the specifications herein are subject to change without notice.

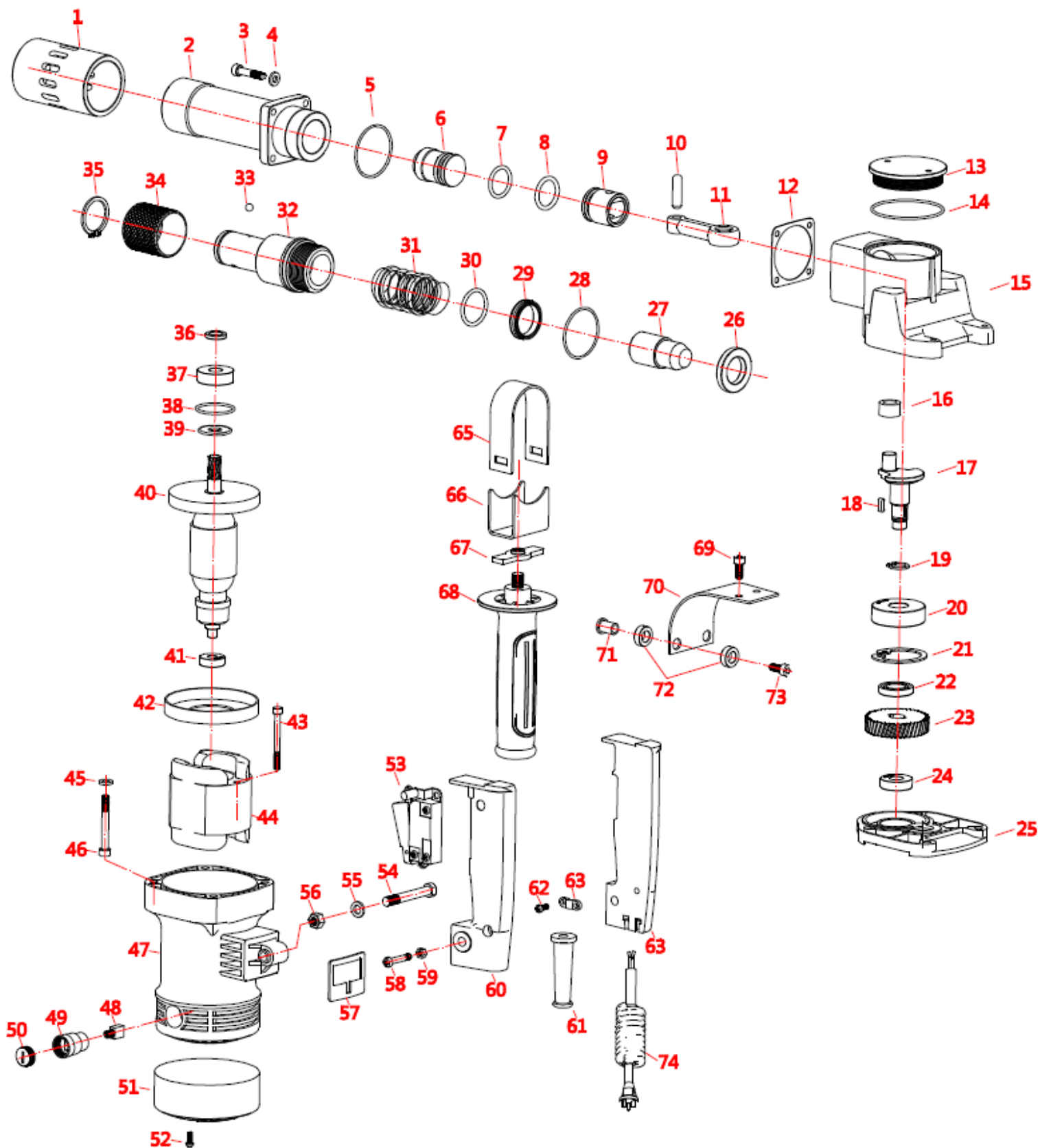
STANDARD ACCESSORIES

1. Steel Case
2. Hexagon Bar Wrench
3. Wrench
4. Bull Point

** Standard accessories are subject to change without notice



PARTS DIAGRAM



PARTS LIST

No.	Parts Description		Qty	No.	Parts Description		Qty
1	Insulation Cover		1	38	O-Ring	∅38*2	1
2	Front housing		1	39	Dust Cover		1
3	Inner Hexagon screw	M6*25	4	40	Armature		1
4	Gasket		4	41	Bearing	608	
5	O-Ring	∅44*2	1	42	Wind Shield		1
6	Impact Hammer		1	43	Philip's Head Screw	M5*60	2
7	O-Ring	∅23.2*3.5	1	44	Stator		1
8	O-Ring	∅23.2*3.5	1	45	Flat Gasket		4
9	Piston		1	46	Inner Hexagon screw	M6*50	4
10	Piston Pin		1	47	Housing		1
11	Connecting Rod		1	48	Carbon Brush		2
12	Paper Gasket		1	49	Brush Pot		2
13	Oil Cap		1	50	Brush Cover		2
14	O-Ring	∅60*2	1	51	Back Cover		1
15	Gear Box		1	52	Philip's Head Screw	M4*12	2
16	Powder Metallurgy Set		1	53	Switch		1
17	Eccentric Shaft		1	54	T-Screw		1
18	Fan JIAN	4*12	2	55	Gasket		1
19	Spindle Chucker	∅14	1	56	Lock Nut	M6	1
20	Bearing	6303	1	57	Sponge		1
21	Punched Card	∅47	1	58	Inner Hexagon screw	M5	1
22	Framework Oil Seal		1	59	Nut	M5	1
23	Big Gear		1	60	Switch Handle (LEFT)		1
24	Bearing	6001	1	61	Protection Line Cover		1
25	Middle Cover		1	62	Philip's Head Screw	M4*10	2
26	Ferrule		1	63	Wire Ramp		1
27	Sinker Bar		1	64	Switch Handle (RIGHT)		1
28	O-Ring	∅44*2	1	65	Handle Clamp		1
29	Double Lip Ring	34*6.8	1	66	Handle Bracket		1
30	O-Ring	∅34*3.5	1	67	Lock Nut Assembly		1
31	Spring		1	68	Front Handle		1
32	Retaining Cap		1	69	Inner Hexagon screw	M6*10	2
33	Steel Ball	∅8	6	70	Flexible Stent		1
34	Sliding Sleeve		1	71	Sleeve		2
35	Snap Ring		1	72	Rubber Ring		4
36	Oil Bearing		1	73	Inner Hexagon screw	M5*25	2
37	Bearing	6201	1	74	Power Cord		1

TROUBLESHOOTING / DISCLAIMER

PROBLEM	POSSIBLE CAUSES	LIKELY SOLUTIONS
Tool will not start	<ol style="list-style-type: none"> 1. Cord not connected 2. No power at outlet 3. Internal damage or wear 	<ol style="list-style-type: none"> 1. Check that the cord is plugged in 2. Check power at outlet, if unpowered, turn off tool and check the circuit breaker. If breaker is tripped, make sure circuit is the right capacity for the tool and circuit has no other loads. 3. Have a technician service the tool
Performance decreases over time	<ol style="list-style-type: none"> 1. Accessory dull or damaged 2. Carbon brushes worn or damaged 	<ol style="list-style-type: none"> 1. Keep cutting accessories sharp, replace as needed 2. Have a qualified technician replace brushes
Excessive noise or rattling	Internal damage or wear	Have a qualified technician service the tool
Overheating	<ol style="list-style-type: none"> 1. Forcing the tool to work too fast 2. Accessory dull or damaged 3. Blocked motor housing vents 	<ol style="list-style-type: none"> 1. Allow the tool to work at its own rate 2. Keep cutting accessories sharp 3. Wear ANSI-Approved safety goggles and NIOSH-Approved dust mask/ respirator while blowing dust out of motor using compressed air.
FOLLOW ALL SAFETY PRECAUTIONS WHENEVER DIAGNOSING OR SERVICING THE TOOL. DISCONNECT POWER SUPPLY BEFORE SERVICE.		

PLEASE READ THE FOLLOWING CAREFULLY

THE MANUFACTURER AND/OR DISTRIBUTOR HAS PROVIDED THE PARTS LIST AND ASSEMBLY DIAGRAM IN THIS MANUAL AS A REFERENCE TOOL ONLY. NEITHER THE MANUFACTURER OR DISTRIBUTOR MAKES ANY REPRESENTATION OR WARRANTY OF ANY KIND TO THE BUYER THAT HE OR SHE IS QUALIFIED TO MAKE ANY REPAIRS TO THE PRODUCT, OR THAT HE OR SHE IS QUALIFIED TO REPLACE ANY PARTS OF THE PRODUCT. IN FACT, THE MANUFACTURER AND/OR DISTRIBUTOR EXPRESSLY STATES THAT ALL REPAIRS AND PARTS REPLACEMENTS SHOULD BE UNDERTAKEN BY CERTIFIED AND LICENSED TECHNICIANS, AND NOT BY THE BUYER. THE BUYER ASSUMES ALL RISK AND LIABILITY ARISING OUT OF HIS OR HER REPAIRS TO THE ORIGINAL PRODUCT OR REPLACEMENT PARTS THERETO, OR ARISING OUT OF HIS OR HER INSTALLATION OF REPLACEMENT PARTS THERETO.

Record Product's Serial Number Here: _____

Note: If product has no serial number, record month and year of purchase instead.

Note: Some parts are listed and shown for illustration purposes only and are not available individually as replacement parts.

Questions, Problems or Missing Parts?

Before returning to a retailer, our exceptional customer service is available to help.

Call Us: 909.628.0880

Hours of Operation: 9 to 4pm PST, Monday - Friday

Email: customer@xtremepowerusa.com

PRODUCT MADE IN CHINA