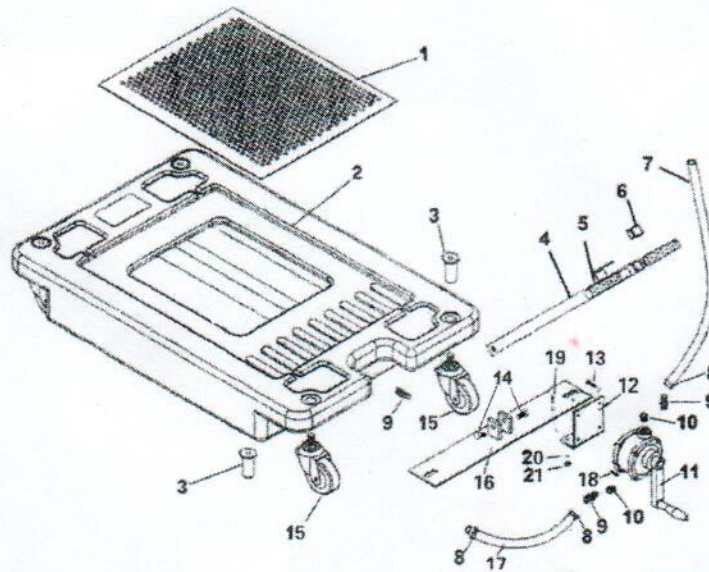


65040

THE HANDLE AND PUMP ASSEMBLY

To mount the Handle # 4 and Pump # 11, you will need to partially disassemble the Rear Mounting plate # 16.

- 1) Remove Right Caster Bolt # 3 from Caster # 15 and slide out the Mounting Plate # 16.
- 2) Attach Handle # 4 to Mounting Plate # 16 using Screw # 14.
- 3) Attach Pump Mounting Bracket # 12 to Mounting Plate # 16 with provided nuts and bolts.
- 4) Re-attach Mounting Plate # 16 and Right Caster.
- 5) Attach Pump #11 to Mounting Bracket # 12 with provided bolts.
- 6) Attach Short Hose # 17 to Hose Fittings # 9 on bottom of Pump #11 and bottom of Reservoir # 2 with Hose Clamps # 8.
- 7) Attach Long Hose # 7 to Hose Fitting #9 on top of Pump # 11 with Hose Fitting # 9.



PARTS LIST

Item No.	Description	No. Req'd	Item No.	Description	No. Req'd
1	Filter Screen	1	12	Mounting Bracket	1
2	Reservoir	1	13	Bolt	4
3	Locknut	4	14	Screw	2
4	Handle	1	15	Caster	4
5	Flex Grip	2	16	Mounting Plate	1
6	Plug	1	17	Short Hose	1
7	Long Hose	1	18	Bolt	4
8	Hose Clamp	3	19	Bolt	2
9	Hose Fitting	3	20	Washer	2
10	Connector	2	21	Nut	2
11	Hand Pump	1			

NOTE: Some parts are listed and shown for illustration purposes only, and are not available individually as replacement parts.