



**7 TON HYDRAULIC LOG SPLITTER**  
**ITEM# 65061-XP**



## OWNER'S MANUAL AND SAFETY INSTRUCTIONS

**SAVE THIS MANUAL. KEEP THIS MANUAL FOR SAFETY WARNINGS, PRECAUTIONS, ASSEMBLY, OPERATION, INSPECTION, MAINTENANCE AND CLEANING PROCEDURES. WRITE THE PRODUCT'S SERIAL NUMBER ON THE BACK OF THE MANUAL, OR THE MONTH AND YEAR OF PURCHASE IF PRODUCT HAS NO SERIAL NUMBER.**

**FOR QUESTIONS, PLEASE CALL CUSTOMER SERVICE: 909.628.4900**

# TABLE OF CONTENTS

GB

## TABLE OF CONTENTS

|                                 |    |
|---------------------------------|----|
| Introduction                    | 2  |
| Specifications                  | 5  |
| Symbols                         | 3  |
| Safety                          | 3  |
| Special Warnings & Instructions | 5  |
| Know your Machine               | 6  |
| Transport                       | 7  |
| Splitter Operation              | 8  |
| Freeing A Jammed Log            | 9  |
| Replacing Hydraulic Oil         | 10 |
| Sharpening Wedge                | 11 |
| Trouble Shooting                | 12 |
| Parts Schedule                  | 13 |
| Parts List                      | 14 |
| Wiring Diagram                  | 15 |
| Plumbing Diagram                | 15 |

## INTRODUCTION

Your new log splitter will more than satisfy your expectations. It has been manufactured under stringent quality standards to meet superior performance criteria. You will find your new unit easy and safe to operate, and with proper care, it will give you many years of dependable service.



**Carefully read through this entire operator's manual before using your new log splitter. Take special care to heed the cautions and warnings.**

## Specifications

|                        |                          |        |
|------------------------|--------------------------|--------|
| Item No.               | 65061-XP                 |        |
| Motor                  | 120V~ 60Hz 1 3/4 HP, 15A |        |
| Log Capacity           | Max. Diameter            | 10"    |
|                        | Max. Length              | 20.5"  |
| Splitting Force        | 7 t                      |        |
| Hydraulic Oil Capacity | 0.93 gal (3.5L)          |        |
| Overall Size           | Length                   | 36.61" |
|                        | Width                    | 10.24" |
|                        | Height                   | 18.31" |
| Weight                 | 97 lbs                   |        |

\* The diameter of the log is indicative - a small log can be difficult to split when it has knobs or a particularly tough fiber. On the other hand, it may not be difficult to split logs with regular fibers.

## ELECTRICAL REQUIREMENTS

Connect the main leads to a standard 120-±10% (60Hz±1%) electrical supply which has protection devices of under-voltage, over-voltage, over-current as well as a residual current device (RCD) which maximum residual current rated at 0.03A.

## RECYCLING AND DISPOSAL



This marking indicates that this product should not be disposed with other household wastes. To prevent possible harm to the environment or human health from uncontrolled waste disposal, recycle it responsibly to promote the sustainable reuse of material resources. To return your used device, please use the return and collection systems or check with your local authority or local stores for advice of environmental safe recycling.

# SAFETY WARNINGS

## SYMBOLS

The rating plate on your machine may show symbols. These represent important information about the product or instructions on its use.



Read these instructions in full before using the machine.



Wear eye protection!  
Wear hearing protection!



Wear protective gloves!



Wear safety footwear!



Lifting Point.



Bundling mark.



Keep your hands away!



Do not remove or tamper with any protection or safety devices.



Dispose of the used oil in an environment-friendly way.



Do not use in the rain.



Danger! Keep clear of moving parts!



Do not remove jammed logs with your hands.



Warning! Stay clear of moving parts!



Before starting any repair maintenance or cleaning, always disconnect the power.



Keep bystanders away from the working area.

## SAFETY

### Safety Warnings & Instructions

GB

#### UNDERSTAND YOUR LOG SPLITTER

Read and understand the owner's manual and labels affixed to the log splitter. Learn its application and limitations as well as the specific potential hazards peculiar to it.

#### DRUGS, ALCOHOL AND MEDICATION

Do not operate the log splitter while under the influence of drugs, alcohol, or any medication that could affect your ability to use it properly.

#### AVOID DANGEROUS CONDITIONS

Put the log splitter on a 72-85 cm high, stable, flat, and level work bench where there is plenty of room for handling, and help the operator stay alert. Bolt the log splitter to the work surface if it tends to slip, walk, or slide.

Keep your work area clean and well lit. Cluttered areas invites injuries.

Do not use the log splitter in wet or damp areas or expose it to rain.

Do not use it in areas where fumes from paint, solvents or flammable liquids pose a potential hazard.

#### INSPECT YOUR LOG SPLITTER

Check your log splitter before turning it on. Keep guards in place and in working order. Form a habit of checking to see that keys and adjusting wrenches are removed from tool area before turning it on. Replace damaged, missing or failed parts before using it.

#### DRESS PROPERLY

Do not wear loose clothing, gloves, neckties or jewelry (rings, wrist watches). They can be caught in moving parts.

Protective electrically non conductive gloves and non-skid footwear are recommended when working. Wear protective hair covering to contain long hair, preventing it from get caught in machinery.

# SAFETY WARNINGS

**GB**

## **PROTECT YOUR EYES AND FACE**

Any log splitter may throw foreign objects into the eyes. This can cause permanent eye damage. Always wear safety goggles. Everyday eyeglasses have only impact resistant lenses. They are not safety glasses.

Do not put the log splitter on the ground for operations. This is awkward operating position means that the operator has to bring his face close to the machine, and thus risks being struck by wood chips or debris.

## **EXTENSION CORDS**

Improper use of extension cords may cause inefficient operation of the log splitter which can result in overheating. Be sure the extension cord is no longer than 25 feet and its diameter is no less than 14 A.W.G. to allow sufficient current flow to the motor.

Avoid use of free and inadequately insulated connections. Connections must be made with protected material suitable for outdoor use.

## **AVOID ELECTRICAL SHOCK**

Check that the electric circuit is adequately protected and that it corresponds with the power, voltage and frequency of the motor. Check that there is a ground connection, and a regulation differential switch upstream.

Ground the log splitter. Prevent body contact with grounded surfaces: pipes, radiators, ranges, and refrigerator enclosures.

Never open the pushbutton box on the motor. Should this be necessary, contact a qualified electrician.

Make sure your fingers do not touch the plug's metal prongs when plugging or unplugging the log splitter.

## **KEEP VISITORS AND CHILDREN AWAY**

The log splitter must be always operated by one person only. Other people should keep a safe distance from the work area, especially when the log splitter is under operations. Never use another person to help you with freeing a jammed log.

## **INSPECT YOUR LOG**

Make sure there are no nails or foreign objects in logs to be split. The ends of the logs must be cut square. Branches must be cut off flush with the trunk.

## **DON'T OVERREACH**

Floor must not be slippery.

Keep proper footing and balance at all times.

Never stand on log splitter. Serious injury could occur if the tool is tipped or if the cutting tools are unintentionally contacted. Do not store anything above or near the log splitter where anyone might stand on the tool to reach them.

## **AVOID INJURY FROM UNEXPECTED ACCIDENT**

Always pay full attention to the movement of the log pusher.

Do not attempt to load the log on until the log pusher has stopped.

Keep hands out of the way of all moving parts.

## **PROTECT YOUR HANDS**

Keep your hands away from splits and cracks which open in the log; They may close suddenly and crush or amputate your hands.

Do not remove jammed logs with your hands.

## **DON'T FORCE TOOL**

It will do a better and safer job at its design rate. Never try to split logs larger than those indicated in the specifications table. This could be dangerous and may damage the machine.

Don't use log splitter for a purpose for which it was not intended.

## **NEVER LEAVE TOOL RUNNING UNATTENDED**

Don't leave tool until it has come to a complete stop.

## **DISCONNECT POWER**

Unplug when not in use, before making adjustments, changing parts, cleaning, or working on the log splitter. Consult technical manual before servicing.

# SAFETY WARNINGS

GB

## PROTECT THE ENVIRONMENT

Take used oil to an authorized collection point or follow the stipulations in the country where the log splitter is used.

Do not discharge into drains, soil or water.

## MAINTAIN YOUR LOG SPLITTER WITH CARE

Keep the log splitter clean for best and safest performance.

## MAKE THE WORKSHOP CHILDPROOF

Lock the shop. Disconnect master switches. Store the log splitter away from children and others not qualified to use it.

## Special Warnings & Instructions

*The splitting operation of the machine is designed to be activated by one person. While there is the possibility that additional operators could be working with the machine (e.g. for loading and unloading), only one operator should activate splitting operations;*

*The machine shall not be used by children;*

*Description of functional tests of the machine;*

*The installation and maintenance requirements including a list of those devices e.g. two-hand control device which should be verified, how frequently the verification shall be carried out and by what method;*

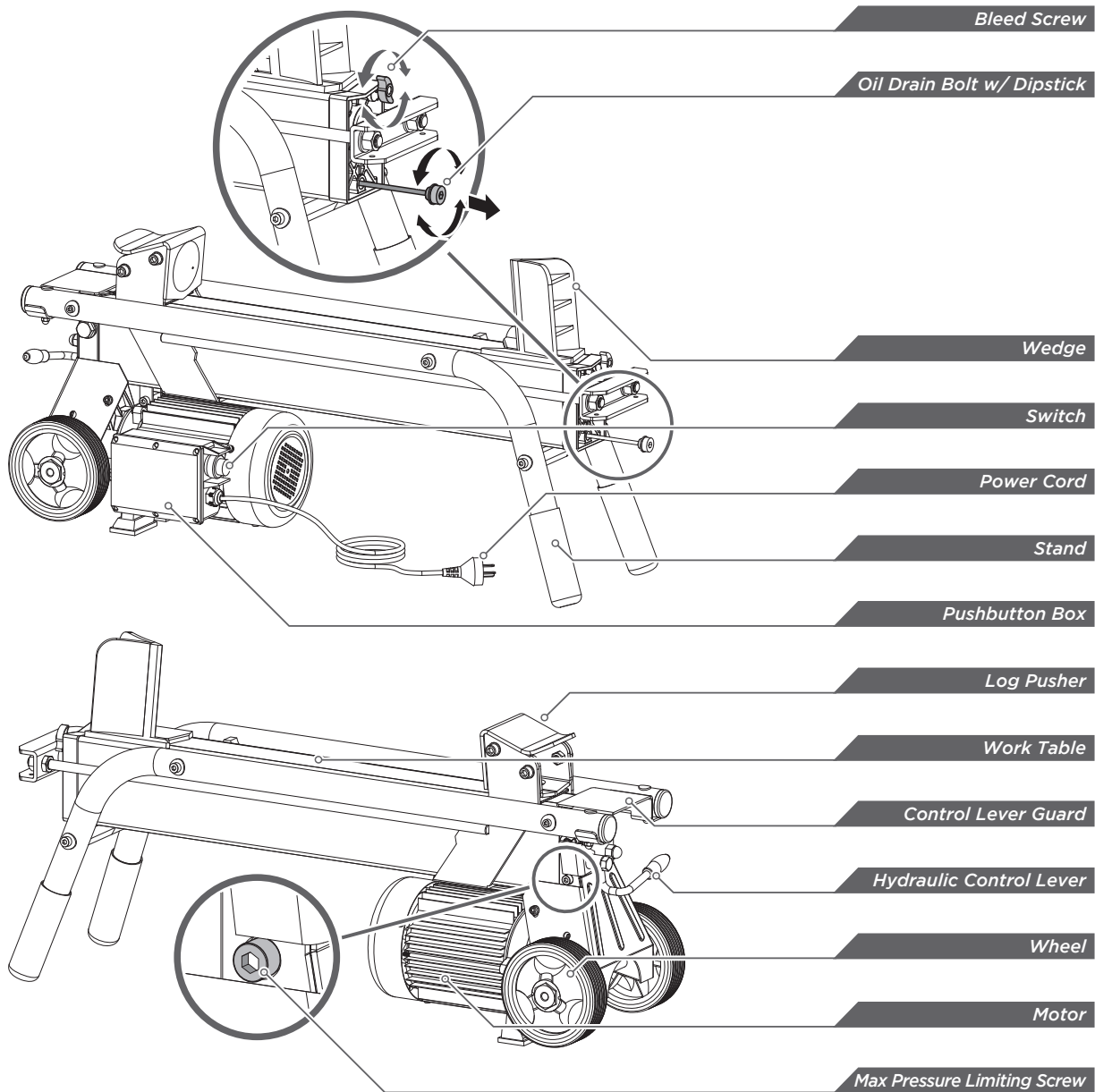
*Do not remove jammed logs with your hands. Never use another person to help you with freeing a jammed log. Lower the wedge until the log is split open.*

*Only qualified person can assemble the machine.*

# OPERATION

GB

## KNOW YOUR MACHINE



## Bleed Screw

Before operating the log splitter, the Bleed Screw should be loosened by some rotations until air can go in and out of the oil tank smoothly.



Air flow thru the Bleed Screw hole should be detectable whilst the log splitter is under operation.

Before moving the log splitter, make sure the Bleed Screw is tightened to avoid oil leaking from this point.



*Failure to loosen the bleed screw will keep the sealed air in hydraulic system being compressed after being decompressed. Such continuous air compression and decompression will blow out the seals of the hydraulic system and cause permant damage to the log splitter.*

## Max Pressure Limiting Screw

Max pressure was set before the log splitter ex work and the max pressure limiting screw is sealed with glue to ensure the log splitter works under pressure no more than 7 tons. The setting was done by qualified mechanic with professional instruments.

Unauthorized resetting will cause the hydraulic pump fail to output enough splitting pressure or **RESULT IN SERIOUS INJURY AS WELL AS DAMAGE TO THE MACHINE.**

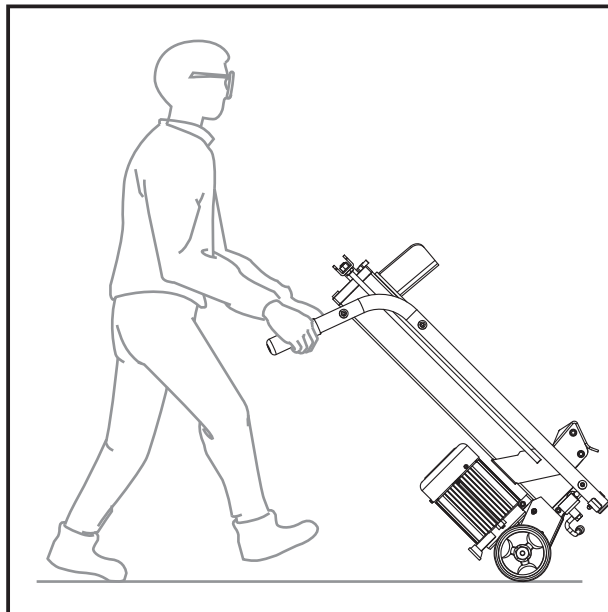


*Do not adjust the max pressure limiting screw !*

## TRANSPORT

GB

The log splitter is equipped with 2 wheels for minor moving. To move the log splitter to the work site. Grip the handle to tilt the log splitter slightly after making sure the oil tank cover is tightened.



*Do not transport the log splitter with wood loaded!*

# OPERATION

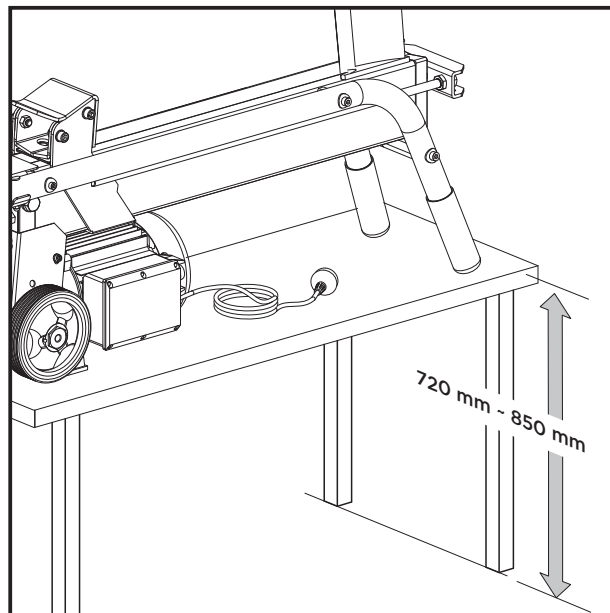
GB

## SPLITTER OPERATION

### Application Conditions

This log splitter is a home use model. It is designed for operating under ambient temperatures between +5°C and 40°C and for installation at altitudes no more than 1000m above M.S.L. The surrounding humidity should be less than 50% at 40°C. It can be stored or transported under ambient temperatures between -25°C and 55°C.

1. Before operation, choose a location where there is plenty of room for handling. Carefully lift the log splitter from both ends and place the log splitter on a stable, flat, and level work surface that is 28-33.5" (72-85cm) high.
2. Make sure the handle is free of oil, grease and resins.
3. Ensure the equipment is in safe working condition. Operate the unit without loading to make sure it is working normally. Check all nuts, bolts and hydraulic fittings are tight. Check the switch, power cable and plug for damage. Check all safety shields are in proper position.
4. Check that the outlets main voltage and frequency match the data stated in the model plate or technical specifications in this manual.
5. Plug in the power cable and switch on the motor. NEVER use an extension cord longer than 25 feet and the size lower than 14 A.W.G.. The power supply to this log splitter must have a protection device (circuit breaker) for over or under voltage.



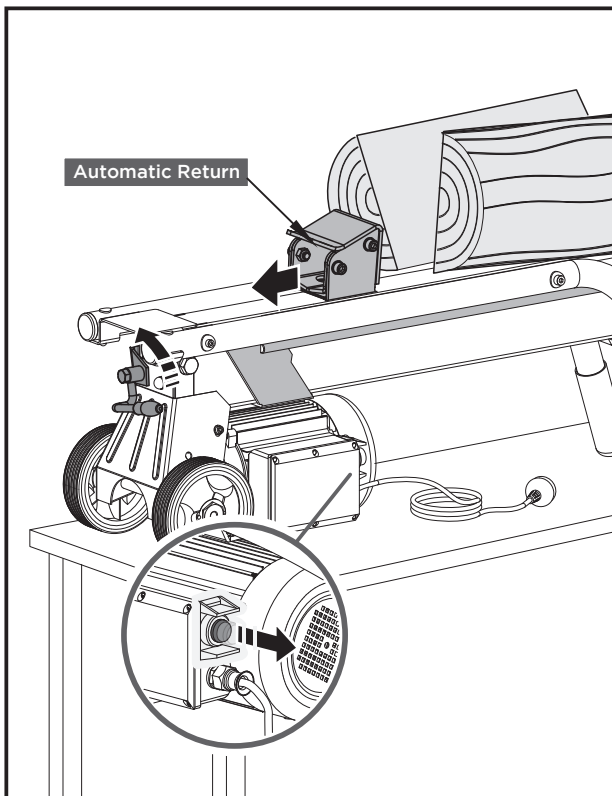
### Splitting - Two Hands Operation

This log splitter is equipped with "ZHB" control system that requires to be operated by both hands of the user-Left hand controls the hydraulic control lever while right hand controls the pushbutton switch. The log splitter will freeze upon absence of either hand. Only after both hands release the controls, the log pusher starts to return backward to the starting position.





# OPERATION



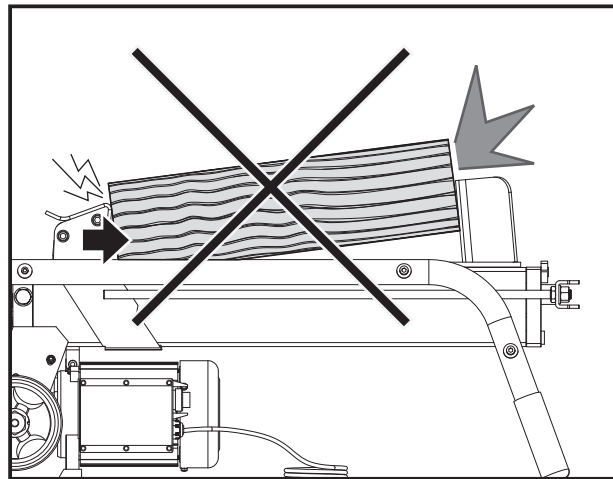
Trigger type lock-out device is adopted to avoid accidental Hydraulic Control Lever pushdown. To operate the Hydraulic Control Lever, draw the Trigger backward with the index finger before pushing the Hydraulic Control Lever forward.



**Never force the log splitter for more than 5 seconds by keeping pressure on it to split excessively hard wood.**

After this time interval, the oil under pressure will be overheated and the machine could be damaged. For such extremely hard log, rotate it by 90° to see whether it can be split in a different direction. In any case, if you are not able to split the log, this means that its hardness exceeds the capacity of the machine and thus that log should be discarded to protect the log splitter.

Always set logs firmly on the log retaining plates and work table. Make sure logs will not twist, rock or slip while being split. Do not force the blade by splitting the log on the upper part. This will break the blade or damage the machine.

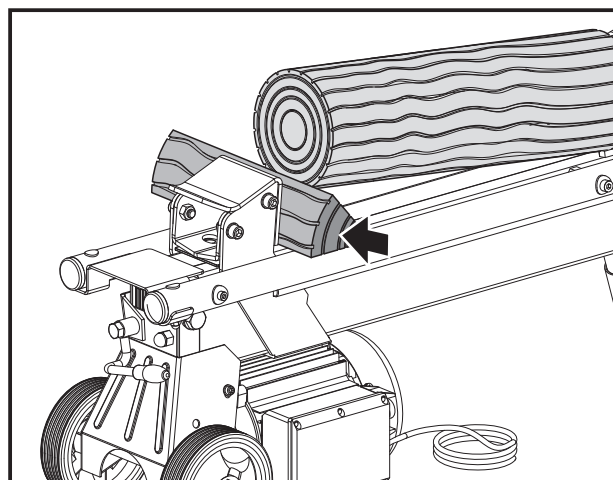


Break log in the direction of its growing grain. Do not place log across the log splitter for splitting. It may be dangerous and may seriously damage the machine.

Do not attempt to split 2 pieces of log at the same time. One of them may fly up and hit you.

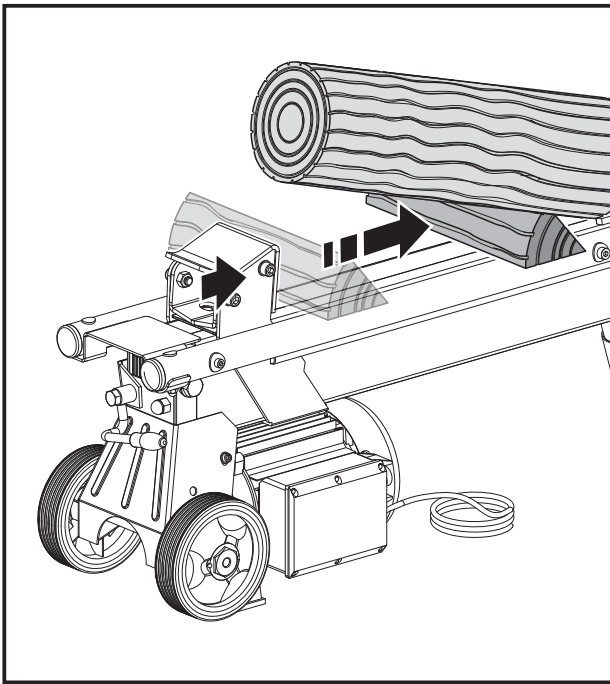
## FREEING A JAMMED LOG

- Release both controls.
- After the log pusher moves back and completely stops at its starting position, insert a wedge wood under the jammed log.
- Start the log splitter to push the wedge wood to go completely under the jammed one.
- Repeat above procedure with sharper slope wedge woods until the log is completely freed.

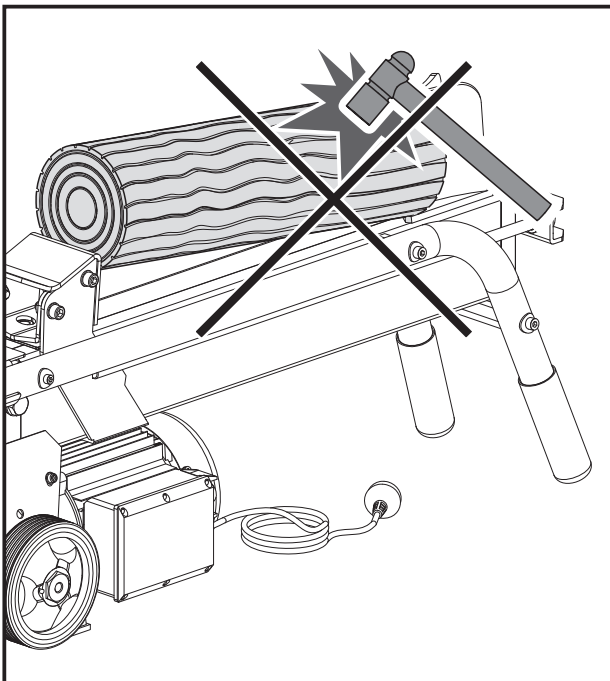


GB

GB



**Do not try to knock the jammed log off. Knocking about will damage the machine or may launch the log and cause an accident.**



## REPLACING HYDRAULIC OIL

Replace the Hydraulic oil in the log splitter after every 150 hours of use. Take the following steps to replace it.

- Make sure all moving parts stop and the log splitter is unplugged.
- Unscrew Oil Drain Bolt with Dipstick to remove it.
- Turn the log splitter on the Support Leg side over a 4 liters capacity container to drain the hydraulic oil off.
- Turn the log splitter on the motor side.
- Refill fresh hydraulic oil at the volume as per the hydraulic oil capacity of a particular model indicated in above specifications table.
- Clean the surface of Dipstick on the Oil Drain Bolt and put it back into the oil tank while keeping the log splitter vertical.
- Make sure the level of the refilled oil is just between 2 grooves around the Dipstick.
- Clean the Oil Drain Bolt before threading them back. Make sure they are tightened to avoid leakage before placing the log splitter horizontally.

Replace the Hydraulic oil in the log splitter after every 150 hours of use. Take the following steps to replace it.

Following hydraulic oils or equivalent are recommend for the log splitter's hydraulic transmission system:

**SHELL Tellus 22**

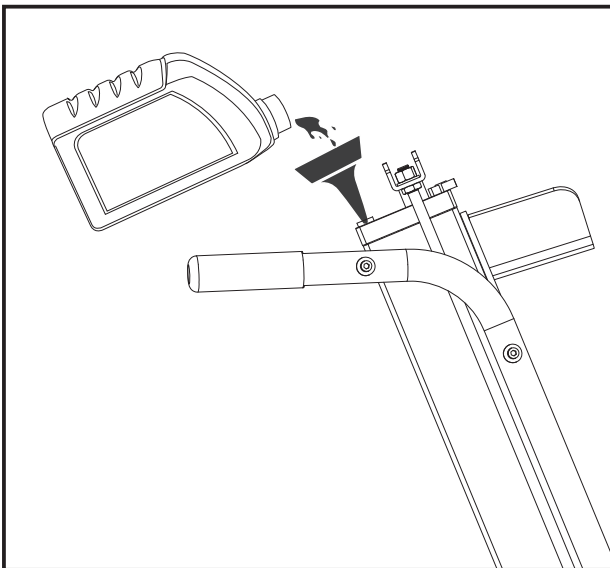
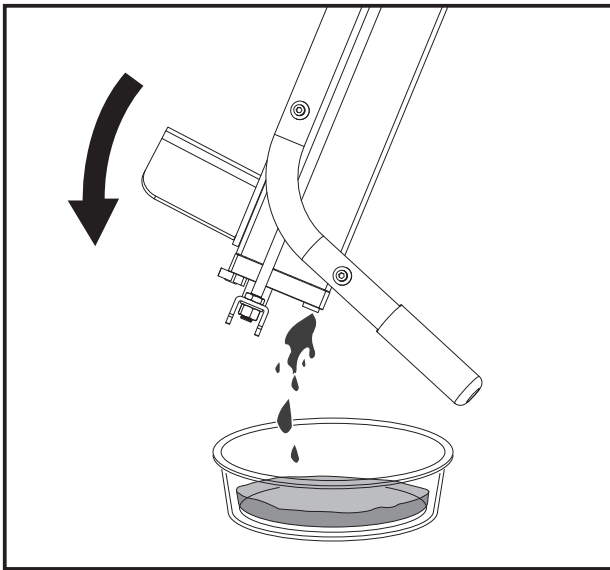
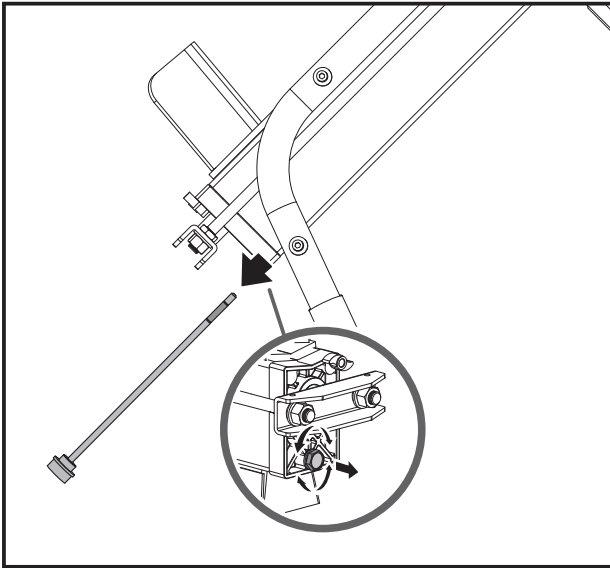
**MOBIL DTE 11**

**ARAL Vitam GF 22**

**BP Energol HLP-HM 22**

# MAINTENANCE

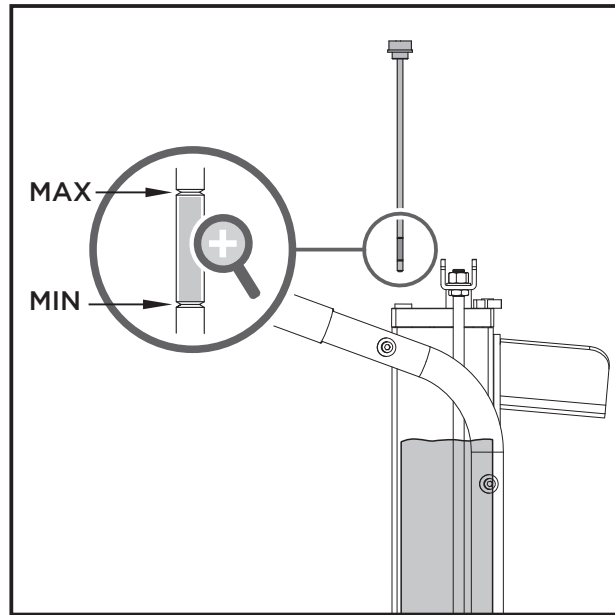
GB



## Oil Level

Use a drain pan to aid in the removal of all used oil and particles.

Remove oil drain plug to drain oil from the hydraulic transmission system. Examine oil for metal chips as a precaution to future problems.



*Read dipstick to determine the maximum and minimum of the oil level. Low oil can damage the oil pump. Overfilling can result in excessive temperature in the hydraulic transmission system.*



## SHARPENING WEDGE

This log splitter is equipped with a reinforced splitting wedge, which has a blade which is specially treated. After long periods of operation, and when required; sharpen the wedge using a fine-toothed file removing any burrs or flat spots on the edge.

# TROUBLE SHOOTING

GB

## TROUBLE SHOOTING

| Problem  | Probable Cause   | Remedy Suggested   |
|--|--|--|
| Fails to split logs  | Log is improperly positioned   | Refer to “Log Splitter Operation” section for perfect log loading.       |
|  | The sizes or hardness of the log exceeds the capacity of the machine                                 | Reduce the log sizes before splitting it on the log splitter.            |
|  | Wedge cutting edge is blunt  | Refer to “Sharpening Wedge” section to sharpen the cutting edge.         |
|  | Oil leaks  | Locate leak(s) and contact the dealer.                                   |
|  | Unauthorized adjustment was made on Max. Pressure Limiting Screw. Lower max pressure rating was set. | Contact the dealer.  |
| The log pusher moves jerkily, taking unfamiliar noise or vibrating a lot | Lack of hydraulic oil and excessive air in the hydraulic system.                                     | Check oil level for possible oil refilling.<br>Contact the dealer.       |
| Oil leaks around cylinder ram or from other points                       | Air sealed in hydraulic system while operating.  | Loosen Bleed Screw by 3 ~ 4 rotations before operating the log splitter. |
|  | Bleed Screw is not tightened before moving the log splitter.   | Tighten the Bleed Screw up before moving the log splitter.               |
|  | Oil Drain Bolt with Dipstick is not tight.   | Tighten the Oil Drain Bolt with Dipstick.                                |
|  | Hydraulic Control Valve Assembly and / or seal(s) worn   | Contact the dealer   |

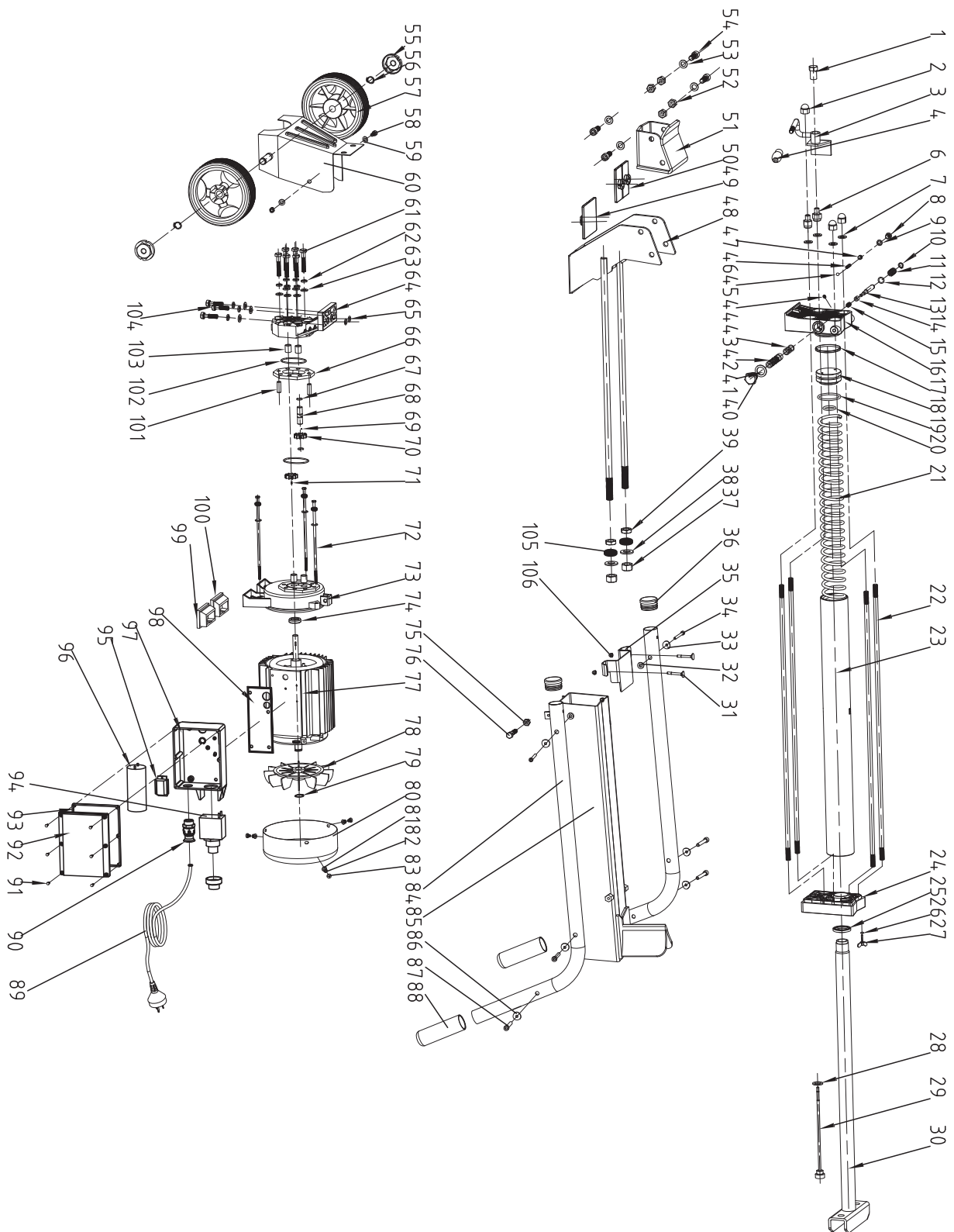


**ATTENTION: ALL REPAIR WORK MUST BE DONE BY A SPECIALIST FOR THIS PRODUCT.**

# PARTS INFORMATION

## PARTS SCHEDULE

GB



# PARTS INFORMATION

GB

## Parts List

| No. | Description                          | Q'ty |
|-----|--------------------------------------|------|
| 1   | Lever Mount Nut                      | 1    |
| 2   | Nut Cap M10                          | 3    |
| 3   | Lever                                | 1    |
| 4   | Lever Knob                           | 1    |
| 5   | ?                                    | ?    |
| 6   | Nut                                  | 2    |
| 7   | Copper Gasket 10                     | 4    |
| 8   | Screw M8                             | 1    |
| 9   | O-ring 5.5x2                         | 1    |
| 10  | Snap Washer 6                        | 1    |
| 11  | Valve Retract Spring                 | 1    |
| 12  | O-ring 6x1.5                         | 1    |
| 13  | Valve Core Rod                       | 1    |
| 14  | Sliding Pressure Sensor Sleeve       | 1    |
| 15  | Sliding Pressure Sensor Sleeve Sping | 1    |
| 16  | Alumium Cover ( Rear )               | 1    |
| 17  | O-ring 60X3.1                        | 1    |
| 18  | Piston                               | 1    |
| 19  | Piston Ring 60                       | 1    |
| 20  | O-ring 32X3.5                        | 1    |
| 21  | Spring                               | 1    |
| 22  | Stud                                 | 4    |
| 23  | Hydraulic Cylinder                   | 1    |
| 24  | Alumium Cover ( Front)               | 1    |
| 25  | Piston Rod Seal 30                   | 1    |
| 26  | O-ring 7x1.9                         | 1    |
| 27  | Wing Bolt M5X12                      | 1    |
| 28  | wahser groupware 14                  | 1    |
| 29  | Dipstick                             | 1    |
| 30  | Piston Rod                           | 1    |
| 31  | ?                                    | 2    |
| 32  | ?                                    | 2    |
| 33  | Washer 6                             | 2    |
| 34  | Screw M6x50                          | 2    |
| 35  | ?                                    | 1    |

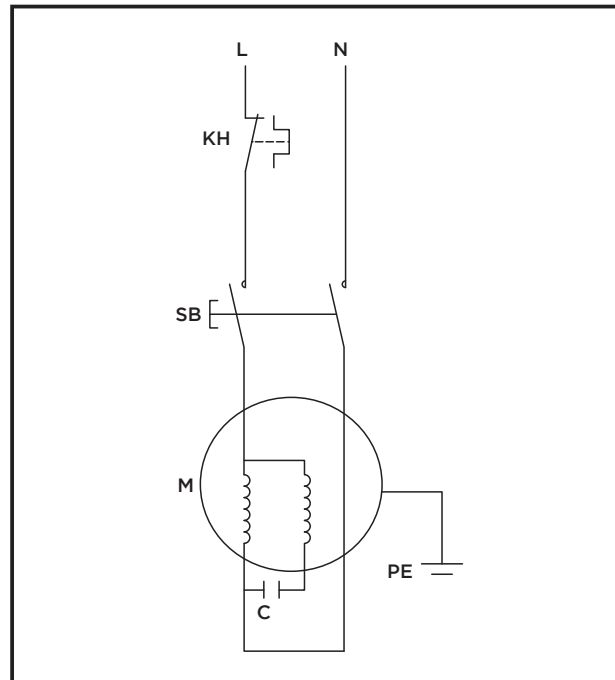
| No. | Description                    | Q'ty |
|-----|--------------------------------|------|
| 36  | ?                              | 2    |
| 37  | Nut M14                        | 2    |
| 38  | Flat Wahser C14                | 2    |
| 39  | Nut M14                        | 2    |
| 40  | Nut Plug                       | 1    |
| 41  | wahser groupware 16            | 1    |
| 42  | Valve Sleeve                   | 1    |
| 43  | O-Ring 14x1.9                  | 5    |
| 44  | Adjusting Screw M5x8           | 1    |
| 45  | Steel Ball 6                   | 1    |
| 46  | Pressure Limited Valve Spring  | 1    |
| 47  | Adjusting Screw M8x8           | 1    |
| 48  | Log Pusher Connection Weldment | 1    |
| 49  | Plastic Insert 1               | 1    |
| 50  | Plastic Insert 2               | 1    |
| 51  | Log Pusher                     | 1    |
| 52  | Nut M10                        | 4    |
| 53  | Flat Wahser C10                | 5    |
| 54  | Screw M10x25                   | 4    |
| 55  | Wheel cover                    | 2    |
| 56  | Block turn 14                  | 2    |
| 57  | Wheel                          | 4    |
| 58  | Screw M10x25                   | 2    |
| 59  | Washer C6                      | 2    |
| 60  | Wheel shelf                    | 1    |
| 61  | Bolt M8x55                     | 6    |
| 62  | Spring Washer 8                | 9    |
| 63  | Washer C8                      | 9    |
| 64  | Gear Pump Cover                | 1    |
| 65  | O-Ring 10.6x2.65               | 2    |
| 66  | Gear Housing Plate             | 1    |
| 67  | Circlip 10                     | 2    |
| 68  | Gear Shaft                     | 1    |
| 69  | Steel Ball 2.5                 | 1    |
| 70  | Gear                           | 2    |

# PARTS INFORMATION

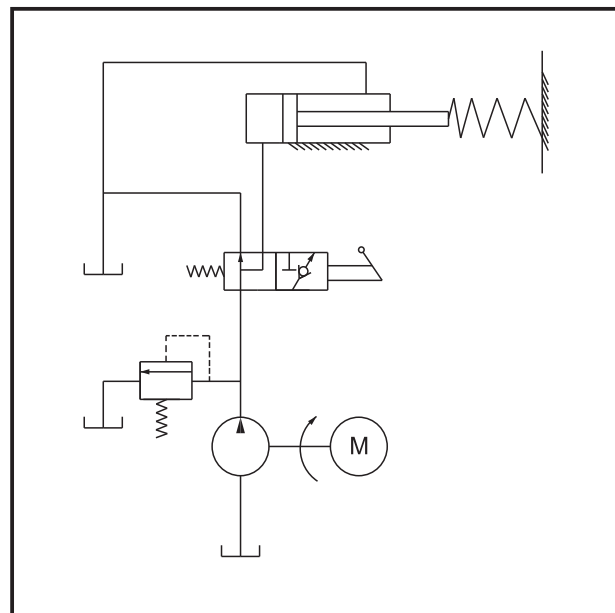
| No. | Description              | Q'ty |
|-----|--------------------------|------|
| 71  | Pin 2.5x4                | 1    |
| 72  | Bolt M5x180              | 3    |
| 73  | Motor Cover              | 1    |
| 74  | Seal FB11x26x7           | 1    |
| 75  | Nut M8                   | 1    |
| 76  | Screw M8x35              | 1    |
| 77  | Motor                    | 1    |
| 78  | Fan                      | 1    |
| 79  | Block Turn A17           | 1    |
| 80  | Shroud                   | 1    |
| 81  | Flat Washer 5            | 6    |
| 82  | Spring Washer 5          | 6    |
| 83  | Screw M5x10              | 2    |
| 84  | Pipe Left                | 2    |
| 85  | Frame Tube               | 1    |
| 86  | ?                        | 4    |
| 87  | ?                        | 4    |
| 88  | ?                        | 2    |
| 89  | Cable & plug             | 1    |
| 90  | ?                        | 1    |
| 91  | Screw M4x10              | 8    |
| 92  | Switch Box cover         | 1    |
| 93  | Airproof Underlay        | 1    |
| 94  | Connection Terminal      | 1    |
| 95  | Capacitor                | 1    |
| 96  | Switch                   | 1    |
| 97  | Switch Box               | 1    |
| 98  | Waterproof underlay      | 1    |
| 99  | Motor Support Left Shoe  | 1    |
| 100 | Motor Support Right Shoe | 1    |
| 101 | Pin 7.8x24               | 2    |
| 102 | O-Ring 46.2x1.8          | 2    |
| 103 | Sliding Sleeve           | 4    |
| 104 | Bolt M8x30               | 3    |
| 105 | Spring Washer 14         | 2    |
| 106 | Cap Nut M6               | 2    |

## WIRING DIAGRAM

GB



## PLUMBING DIAGRAM



## OF NOTE

### PLEASE READ THE FLOLLOWING CAREFULLY

THE MANUFACTURER AND/OR DISTRIBUTOR HAS PROVIDED THE PARTS LIST AND ASSEMBLY DIAGRAM IN THIS MANUAL AS A REFERENCE TOO ONLY. NEITHER THE MANUFACTURER OR DISTRIBUTOR MAKES ANY REPRESENTATION OR WARRANTY OF ANY KIND TO THE BUYER THAT HE OR SHE IS QUALIFIED TO MAKE ANY REPAIRS TO THE PRODUCT, OR THAT HE OR SHE IS QUALIFIED TO REPLACE ANY PARTS OF THE PRODUCT. IN FACT, THE MANUFACTURER AND/OR DISTRIBUTOR EXPRESSLY STATES THAT ALL REPARIS AND PARTS REPLACEMENTS SHOULD BE UNDERTAKEN BY CERTIFIED AND LICENSED TECHNICIANS, AND NOT BY THE BUYER. THE BUYER ASSUMES ALL RISK AND LIABILITY ARISING OUT OF HIS OR HER REPAIRS TO THE ORGINAL PRODUCT OR REPLACEMENT PARTS THERETO, OR ARISING OUT OF HIS OR HER INSTALLATION OF REPLACEMENT PARTS THERETO.

**Record Product's Serial Number Here:** \_\_\_\_\_

**Note:** If product has no serial number, record month and year of purchase instead.

**Note:** Some parts are listed and shown for illustration purposes only and not available individually as replacement parts.

### Questions, issues or missing parts?

Before returning to your retailer, our customer service team is here to help.



**Call Us: 909.628.4900**

**Email Us: [info@starktoolsusa.com](mailto:info@starktoolsusa.com)**

**Hours of Operation: 9am – 3pm PST Monday - Friday,  
July 31, 2020**

**MADE IN CHINA**