



**AIR NAILER**  
**ITEM# 65168/65169**



## **OWNER'S MANUAL AND SAFETY INSTRUCTIONS**

**SAVE THIS MANUAL. KEEP THIS MANUAL FOR SAFETY WARNINGS, PRECAUTIONS, ASSEMBLY, OPERATION, INSPECTION, MAINTENANCE AND CLEANING PROCEDURES. WRITE THE PRODUCT'S SERIAL NUMBER ON THE BACK OF THE MANUAL, OR THE MONTH AND YEAR OF PURCHASE IF PRODUCT HAS NO SERIAL NUMBER**

**FOR QUESTIONS, PLEASE CALL CUSTOMER SERVICE: 909.628.4900**

# SAFETY WARNINGS / OPERATION

## Technical Specifications:

Nail/Brad Capacity: 18 Gauge 10-50mm  
Fastener Diameter: 1.05x1.26 mm  
Stapler Capacity: 5.7mm crown Series 90 Up to 40mm length  
(Fasteners are available from hardware stores)  
Working Pressure: 60-100 PSI  
Av.Air Requirement: 3CFM / 85Lt / min  
Air Inlet:

## Safety:

- When using compressed air always follow the safety codes of practice laid out by the compressor manufacturer.
- Damaged or split air hoses can cause a 'whip' hazard. Immediately replace damaged air hoses.
- Ensure all air couplings are secure and tight.
- Do not try to modify the tool to accept fasteners other than those specified.
- Only use this equipment for its intended use. Do not modify or change its design.
- When tool is not in use always disconnect from the air supply.
- Maintenance should only be carry out by a competent person.
- NEVER point the nail gun at people or yourself.
- When using the tool safety clothing must be worn. Goggles,gloves,ear defenders.Tie back long hair and do not wear loose clothing.
- Do not allow children to use this tool. Never leave the tool connected to the air supply before loading nails or staples.

## Operating Instructions:

To load the magazine with nails or staples, release the magazine by squeezing the lever.

Insert the fasteners into the magazine. (See overleaf details). Then shut the magazine by pushing it fully upwards.

Check that the air supply is at least 60PSI. The gun is now ready to use. Press the head of the gun onto the workpiece to be fastened then squeeze the trigger to fire the nail or staple.



## Maintenance:

- Lubricate gun by applying 2-3 drops of air tool oil to the air intake daily.
- Keep the gun clean.
- Remove top plate covering striking pin and clean monthly or after every 50 hours use.
- Use a water separator in compressor line to reduce Moisture contamination and possible corrosive damage to tool.



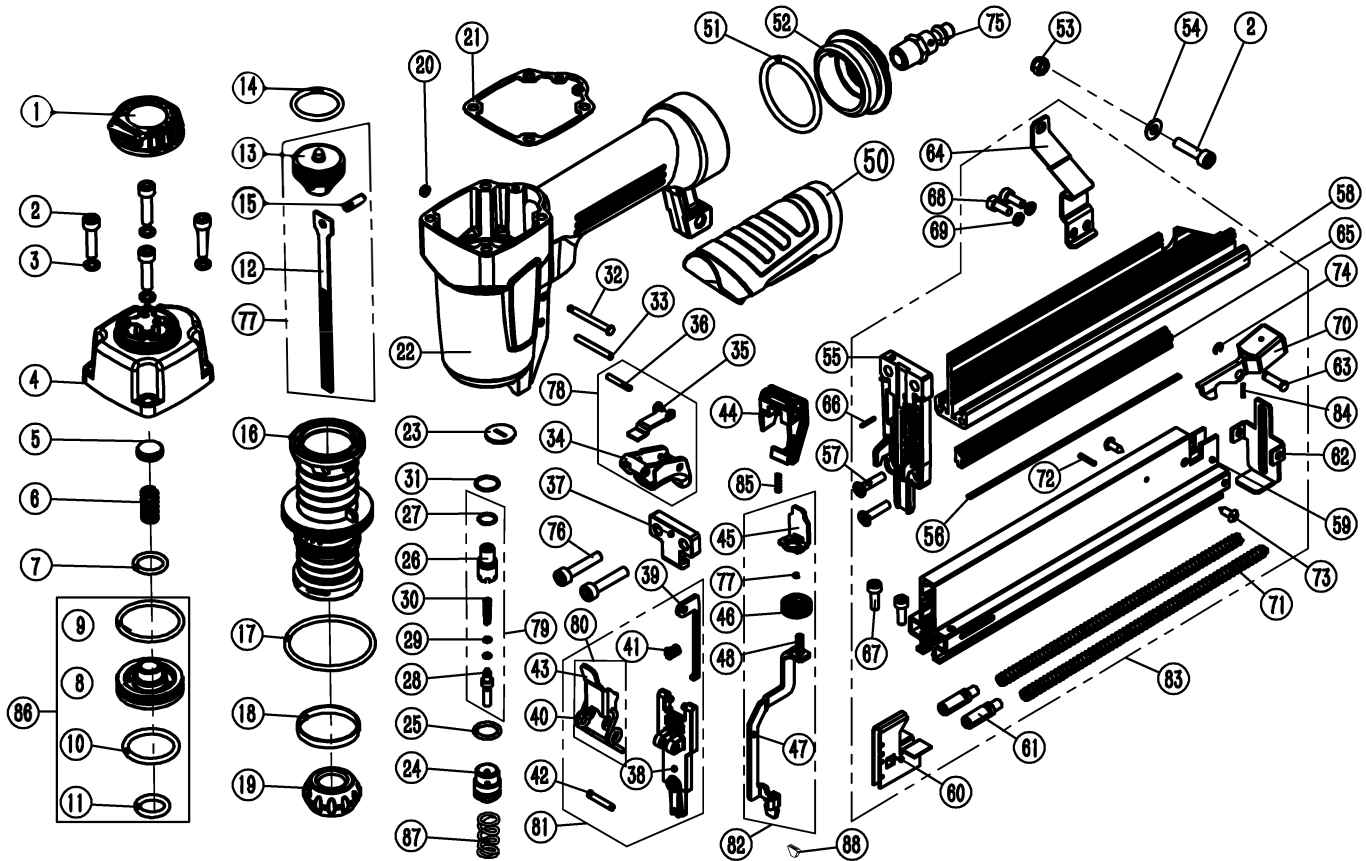
## DECLARATION:

The manufacturer declares that this nailer is in conformity to the following directives and supportive standards:

2006/42/EC Machinery Directive.

EN ISO 11148-13:2018

# PARTS LIST



ITEM NO	DESCRIPTION	PART NO	PCS	ITEM NO	DESCRIPTION	PART NO	PCS
1	EXHAUST COVER	A. 03. 04. 0211	1	47	RELEASE CATCH A	A. 07. 11. 0921	1
2	SCREW M5x20	A. 00. 00. 0201	5	48	Screw	A. 07. 14. 0221	1
3	WASHER #5	A. 00. 05. 0011	4	49	RING	A. 00. 05. 0571	1
4	Cylinder CAP	A. 09. 46. XXX1	1	50	HANDLE GRIP	A. 02. 04. 0711	1
5	SEAL, AIR	A. 03. 11. 0081	1	51	O-RING 37. 5x3. 55	A. 02. 00. 0671	1
6	FEEDER SPRING	A. 01. 00. 0161	1	52	Tail Cover	A. 10. 01. XXX1	1
7	O-RING 13. 8x2. 4	A. 02. 00. 0271	1	53	Nut M5	A. 00. 04. 0011	1
8	FIRING VALVE PISTON	A. 03. 08. 0141	1	54	Washer	A. 00. 05. 0111	1
9	O-RING 36. 3x2. 55	A. 02. 00. 0641	1	55	DRIVER GUIDE	A. 08. 01. 1741	1
10	O-RING 24. 5x3	A. 02. 00. 0461	1	56	Steel Bar	A. 07. 08. 0071	1
11	O-RING 13x3	A. 02. 00. 0251	1	57	SCREW MAX18	A. 00. 01. 0011	2
12	DRIVER BLADE	A. 06. 00. 1231	1	58	NAIL TANK	A. 07. 01. 1001	1
13	Piston head	A. 06. 02. 0311	1	59	UPPER MAG	A. 07. 00. 0721	1
14	O-RING 22. 9x2. 7	A. 02. 00. 0431	1	60	Pusher	A. 07. 00. 0181	1
15	PIN 4. 2x13. 5	A. 00. 06. 0674	1	61	Magazine Support	A. 07. 06. 0011	2
16	CYLINDER	A. 03. 03. 0441	1	62	Tail Cover	A. 07. 18. 0292	1
17	O-RING 43. 7x2. 65	A. 02. 00. 1551	1	63	PIN	A. 00. 06. 0061	1
18	Lantern ring	A. 02. 01. 0041	1	64	Magazine Support	A. 07. 08. 0491	1
19	BUMPER	A. 03. 09. 0341	1	65	Plate in Magazine Assembly	A. 07. 01. 0941	1
20	RING 5. 5x2	A. 00. 05. 0041	1	66	SPRING PIN 1. 5x10	A. 00. 11. 0001	1
21	GASKET	A. 02. 05. 0481	1	67	SCREW M4x12	A. 00. 00. 0031	2
22	Body	A. 04. 59. XXX1	1	68	SCREW M4x10	A. 00. 00. 0021	2
23	NOZZLE	A. 03. 10. 0321	1	69	WASHER #4	A. 00. 05. 0001	2
24	Trigger Valve Guide	A. 05. 03. 0101	1	70	CLICK LEVER	A. 07. 09. 0071	1
25	O-RING 11x1. 9	A. 02. 00. 0221	1	71	FEEDER SPRING	A. 01. 00. 0091	2
26	Upper Housing	A. 05. 03. 0021	1	72	SPRING PIN 2X11	A. 00. 11. 0031	1
27	O-RING 8x1	A. 02. 00. 0151	1	73	SCREW ST4X25	A. 00. 03. 0231	2
28	Upper Housing	A. 05. 04. 0031	1	74	RING	A. 00. 05. 0061	1
29	O-RING 1. 9x1. 2	A. 02. 00. 0011	2	75	AIR PLUG	A. 03. 07. XXX1	1
30	CONICAL SPRING	A. 01. 04. 0001	1	76	SCREW M5x25	A. 00. 00. 0221	2
31	O-RING 11x1. 05	A. 02. 00. 0211	1	77	PISTON SET	B. 06. 00. 1131	1
32	PIN	A. 00. 06. 0541	1	78	TRIGGER SET	B. 05. 00. 0321	1
33	SPRING PIN 3X26	A. 00. 11. 0201	1	79	TRIGGER VALVE SET	B. 05. 04. 0001	1
34	TRIGGER	A. 05. 00. 0321	1	80	CLICK LEVER SET	B. 08. 00. 0091	1
35	RELEASING BLADE	A. 05. 01. 0211	1	81	DRIVER GUIDE COVER SET	B. 08. 01. 0841	1
36	PIN 2. 5x16	A. 00. 06. 0001	1	82	CATCH RELEASE SET	B. 07. 11. 0521	1
37	SPACER	A. 08. 00. 0751	1	83	MAGAZINE SET	B. 07. 01. 1301	1
38	DRIVER GUIDE COVER	A. 08. 01. 1751	1	84	FEEDER SPRING	A. 01. 00. 0231	1
39	DRIVER GUIDE COVER	A. 08. 01. 1731	1	85	FEEDER SPRING	A. 01. 00. 0281	1
40	RETAINER SPRING	A. 01. 03. 0091	1	86	HEAD VALVE PISTON SET	B. 03. 00. 0141	1
41	FEEDER SPRING	A. 01. 00. 0831	1	87	FEEDER SPRING	A. 01. 00. 0431	1
42	SPRING PIN 3X18	A. 00. 11. 0491	1	88	HANDLE GRIP	A. 02. 04. 0371	1
43	CLICK LEVER	A. 07. 19. 0451	1				
44	FLAKE	A. 07. 12. 0411	1				
45	RELEASE CATCH B	A. 07. 11. 0891	1				
46	Screw	A. 07. 14. 0011	1				

# DISCLAIMER

## PLEASE READ THE FOLLOWING CAREFULLY

THE MANUFACTURER AND/OR DISTRIBUTOR HAS PROVIDED THE PARTS LIST AND ASSEMBLY DIAGRAM IN THIS MANUAL AS A REFERENCE TOOL ONLY. NEITHER THE MANUFACTURER OR DISTRIBUTOR MAKES ANY REPRESENTATION OR WARRANTY OF ANY KIND TO THE BUYER THAT HE OR SHE IS QUALIFIED TO MAKE ANY REPAIRS TO THE PRODUCT, OR THAT HE OR SHE IS QUALIFIED TO REPLACE ANY PARTS OF THE PRODUCT. IN FACT, THE MANUFACTURER AND/OR DISTRIBUTOR EXPRESSLY STATES THAT ALL REPAIRS AND PARTS REPLACEMENTS SHOULD BE UNDERTAKEN BY CERTIFIED AND LICENSED TECHNICIANS, AND NOT BY THE BUYER. THE BUYER ASSUMES ALL RISK AND LIABILITY ARISING OUT OF HIS OR HER REPAIRS TO THE ORIGINAL PRODUCT OR REPLACEMENT PARTS THERETO, OR ARISING OUT OF HIS OR HER INSTALLATION OF REPLACEMENT PARTS THERETO.

**Record Product's Serial Number Here:** \_\_\_\_\_

**Note: If product has no serial number, record month and year of purchase instead.**

**Note: Some parts are listed and shown for illustration purposes only and are not available individually as replacement parts.**

The material in this manual is for informational purposes only. The product(s) it describes are subject to change without prior notice, due to the manufacturer's continuous development program. XtremePowerUS makes no representations or warranties with respect to this manual or with respect to the products described herein. XtremePowerUS shall not be liable for any damages, losses, costs or expenses, direct, indirect or incidental, consequential or special, arising out of, or related to the use of this material or the products described herein.

## Questions, issues or missing parts?

Before returning to your retailer, our customer service team is here to help.



**Call Us: 909.628.4900**

**Email Us: [info@starktoolsusa.com](mailto:info@starktoolsusa.com)**

**Hours of Operation: 9am - 3pm PST Monday - Friday**

**MADE IN CHINA**