

XTREMEPOWER ^{US}

AUTOMATIC SUCTION SWIMMING POOL VACUUM CLEANER

ITEM: 75036-XP & 75037-XP



OWNER'S MANUAL AND SAFETY INSTRUCTIONS

SAVE THIS MANUAL: KEEP THIS MANUAL FOR SAFETY WARNINGS, PRECAUTIONS, ASSEMBLY, OPERATING, INSPECTION, MAINTENANCE AND CLEANING PROCEDURES. WRITE THE PRODUCT'S SERIAL NUMBER ON THE BACK OF THE MANUAL NEAR THE ASSEMBLY DIAGRAM (OR MONTH AND YEAR OF PURCHASE IF PRODUCT HAS NO NUMBER)

FOR QUESTIONS PLEASE CALL OUR CUSTOMER SUPPORT: (909) 628 0880 MON-FRI 9AM TO 3PM PST



GENERAL SAFETY WARNINGS

Read all safety warnings and instructions. Failure to follow the warnings and instructions may result in electric shock, fire and/or serious injury. Save all warnings and instructions for future reference.

The warnings, precautions, and instructions discussed in this instruction manual cannot cover all possible conditions and situations that may occur. It must be understood by the operator that common sense and caution are factors which cannot be built into this product, but must be supplied by the operator. Read carefully and understand all **ASSEMBLY AND OPERATION INSTRUCTIONS** before operating. Failure to follow the safety rules and other basic safety precautions may result in serious personal injury.

- **Read and understand all instructions.** Failure to follow all instructions may result in serious injury or property damage.
- **DO NOT** allow persons to operate or assemble the product until they have read this manual and have developed a thorough understanding of how it works.
- **DO NOT modify this product in any way.** Unauthorized modification may impair the function and/or safety and could affect the life of the product. There are specific applications for which the product was designed.
- If your pool is equipped with one, you **MUST** cover your dedicated suction port/vac port/automatic pool cleaner port when not in use by the cleaner.
- **DO NOT** play with cleaner or apply cleaner or hose to body, clothing, or hair. The hose and cleaner can take hold of your body, hair, or clothing. The suction from the hose or cleaner, or just the hose or cleaner alone, can trap a swimmer underwater. **NEVER ALLOW ANYONE TO ENTER THE POOL** when the cleaner is in use.
- **DO NOT** allow anyone, especially children, to use or play with or around the cleaner or hose. Educate the pool users about the dangers of the hose, cleaner, and suction ports.
- **STOP PUMP** Cleaner must be completely disabled by turning off the pool's pump and suction before cleaning or maintaining the cleaner. Moving parts and suction can injure fingers or body.
- **STOP PUMP** before swimming. The moving pool cleaner, hose, and suction ports can injure or entrap swimmers. **STOP PUMP**, detach hose, and move the cleaner and hose to an unused corner of the pool. If the hose may interfere with the swimmers, remove it from the pool.
- Carefully follow all instructions contained in this manual. Failure to do so may inhibit the cleaner's operation or damage your pool. The manufacturer disclaims any liability for repairs or replacement to any structures or components in the customer's pool. This cleaner was not designed to be the first clean after pool construction or at the beginning of the season. Check your vinyl pool for wear or tear, or for roots, branches, rocks, or other obstructions under the liner. Gunite, plaster, and tile pools must be free of deterioration, cracked or loose tiles, or other conditions that could damage the cleaner. All pools must be cleaned of algae and debris prior to the cleaner's first use.

FEATURES AND SPECIFICATIONS



75036-XP: Automatic Pool Cleaner Stingray In/Above Ground

This automatic pool cleaner is perfect for your in-ground or above-ground pools regardless size, shape and construction. The magnificent function design helps the suction equipment attaches to the majority pool surface, such as concrete and fiberglass. The powerful suction ability is enough to pick up everything from dirt and bug to pebbles and twigs. It also attaches to all the filtration systems, which means you can use your exist one but no need to change. No electrical needed, no tools needed as well as no wheels to jam, no gears to break and no diaphragms to replace provides more relaxation and convenience. The smart design allows you open it in seconds for easy maintenance. This poor cleaner also is ideal for above-ground and in-ground pools, whose sizes up to 16' x 34' and require at least a HP swimming pool pump or 1600GHP to function properly.

FEATURES:

- Dimension: 18.9" (L) x 5.5" (W) x 40.6" (H)
- Unit Net Weight: 14.99 lbs
- Ideal for pools up to 16' x 32'
- Attaches to all filtration systems
- No electricity required, No tool required
- Vacuum all shapes and sized pools
- Magnificent function suction system
- Required a 3/4 HP swimming pool pump or 1600GHP to function properly



75036-XP: Automatic Pool Cleaner In/Above Ground Complete Set

The Deluxe Inground Pool Cleaner can clean your inground pool from top to bottom automatically. This cleaner uses enough suction power to pick up everything from dirt and bugs to pebbles and twigs. This will allow you to spend more time swimming in your pool instead of having to clean it. This cleaner operates with only one moving part. There are no wheels to jam, no gears to break and no diaphragms to replace. Its smart design lets you open it in seconds for easy maintenance. The Deluxe Inground Pool Cleaner comes with 30 feet of hose and a 1-year warranty. Vacuum inground pools regardless of size, shape, or construction. No tools required. No need for electricity. Attaches to your existing filtration system. Includes 30' of vacuum hose. Ideal for pools up to 16' x 32'. Require at least a 3/4 hp swimming pool pump or 1600gph to function properly.

FEATURES:

- Attaches to your existing filtration system
- No tools required and no electricity needed
- Require at least a 1 hp swimming pool pump or 1600 GHP to function properly.

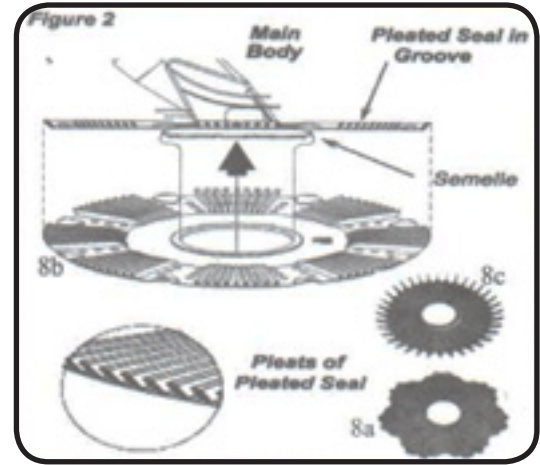
ASSEMBLY

Step 1: Attaching the Seal

To install the seal, locate the words “Up” or “Top” and face them towards the main body. Slip the seal over the foot pad, flat side down towards the pool floor and pull gently until it seats itself on the other side in its groove as illustrated in Figure 2.

Seal must be installed flat side down, pleated side up. Once in place, the seal should rotate and turn freely.

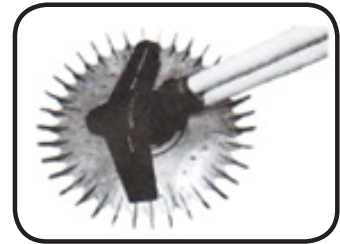
The seal is not reversible. The raised pleats on the pleated seal must face upward. The flat side of the seal should face down to rest against the pool surface.



Step 2: Attaching the Adapter

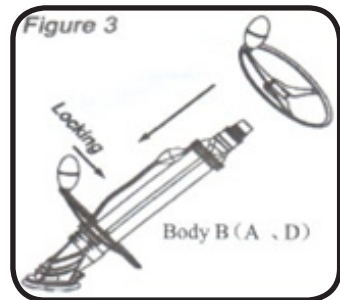
The adapter is fitted onto the body, see diagram.

NOTE: This step is applicable only to models A and C



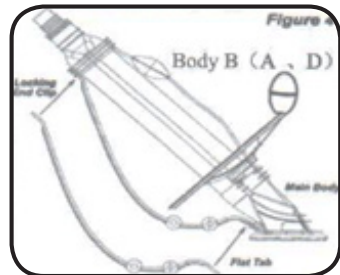
Step 3: Attaching the Roller Bumper Strap

Insert the bottom end of the strap into the slot provided on the main body. Insert the top end of the strap into the locking clip attached to the swivel head. See Figure 3.



Step 4: Attach the Dive Float Restrictor

Insert the bottom end of the strap into the slot provided on the main body. Insert the top end of the strap into the locking clip attached to the swivel head. See Figure 3.



Step 5. Attach the Hose Weights and Assemble the Hose

The cleaner hose comes in sections that must be assembled. You will need enough sections to reach from where the cleaner is connected, to the farthest end of your pool, plus an extra section. You will have to attach hose weights to the hose to neutralize the hose’s buoyancy in the water. The number of hose weights required is determined by the maximum depth of your pool. The deeper the pool the more weight will be needed. See Table A to determine how many hose weights your pool will require.

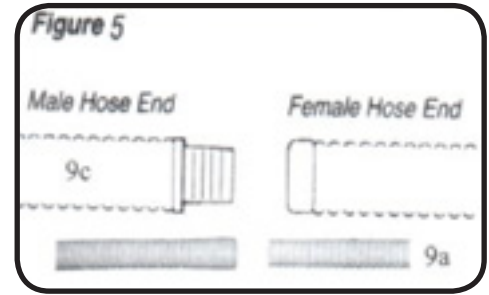
TABLE A

POOL DEPTH	WEIGHT PLACEMENT
4 feet or less	1 weight: 4 to 12 inches from the swivel head
4 - 7 feet	2 weights: one 4 to 12 inches and one 6 feet from the swivel head
7 - 12 feet	3 weights: one 4 to 12 inches, one 6 feet and one 10 feet from the swivel head
12 feet or more	4 weights: one 4 to 12 inches, one 6 feet, one 10 feet and one 12 feet from the swivel head

ASSEMBLY

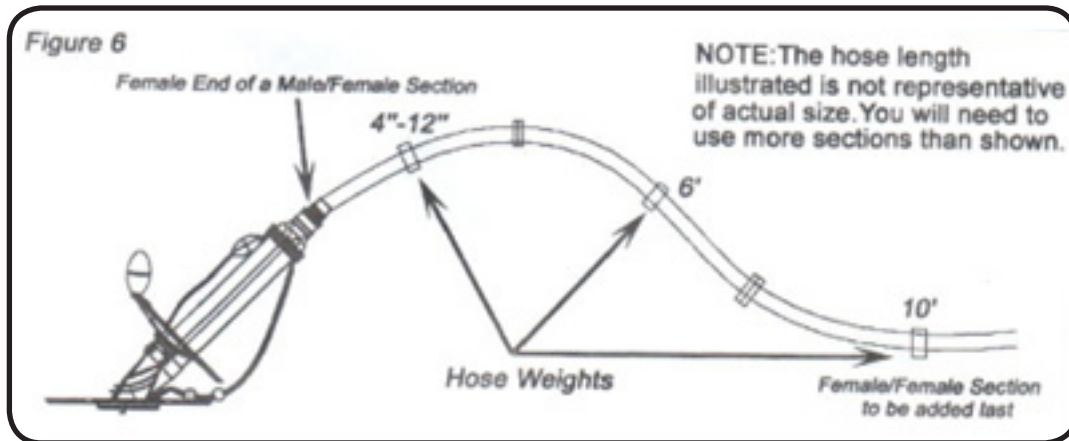
Twist and push the female ends into the male ends into the pool to wet them. See Figure 5.

Continue until you've connected all the sections you need. After connecting the hose weights to the hose described in Table A, connect the hose to the cleaner. See Figure 6.



One of the hose sections has two female ends and a hose protector. This section should be fitted last and attached to the pool's vacuum connection.

Your fully assembled cleaner should look like this.



The body is connecting with the hose, please refer to the right picture. Only Model D needs to use an adapter to connect the hose.



III. Installation

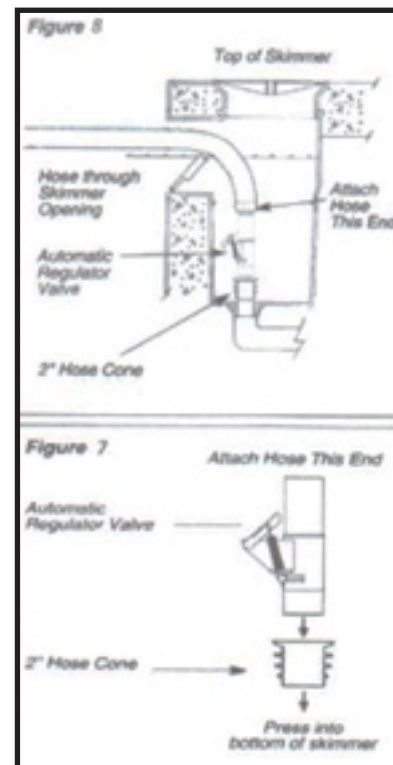
The cleaner is designed to work in a variety of swimming pools. Which is why there are items such as a 2" hose cone and valve cap for the regulator valve included with your cleaner. These may or may not be necessary depending on the features of your pool. Both the standard in-skimmer installation and an optional vacuum line installation are covered in this manual. Check to see which most closely fit your pool configuration and follow the directions

Standard Installation

For pools with one skimmer, using the automatic regulator valve. The advantage of this installation is that the automatic regulator valve automatically balances the water flow between the skimmer and the cleaner. We recommend the use of an automatic regulator valve for maximum safety and performance. The valve automatically adjusts to changes in the amount of water flow to provide the cleaner with the power necessary to ensure proper cleaning performance.

INSTALLATION

1. Turn the pool pump off.
2. Close the main drain and all suction lines except the line from the skimmer to which the cleaner will be connected.
3. Remove the skimmer basket
4. Press the 2" hose cone into the vacuum connection in the bottom of the skimmer as shown in Figure 8.
5. Press the automatic regulator valve into the 2" hose cone. The end of the valve marked "Attach Hose to This End" must point upwards. See Figure 7.
6. Place the cleaner into the pool and allow it to sink to the floor of the pool. Continue to feed the hose vertically downward into the pool until it is filled with water and purged of air.
7. Insert the end of the hose through the skimmer opening and connect the hose directly onto the automatic regulator valve.



IV. Adjustments

After completing the installation, turn the pool pump on. Allow the pump to run for a couple minutes to ensure all air completely cycles out of the system. The cleaner should be moving around the pool at a rate of 8 to 12 feet per minute. Check each of the following initial adjustments to the cleaner at this time.

Hose Length

IMPORTANT: The pump must be on when you check the hose length. The hose contracts when the pump is operating and will be longer when the pump is off.

With the cleaner operating, position it at the furthest point of the pool from where it is attached. It is easy to position the cleaner by moving it around the pool with a pole. The cleaner's hose should be long enough to reach the furthest end of the pool, plus one hose section. If necessary, remove extra hose sections from the center portion of the hose. Removing center hose sections avoids having to disturb the hose weight placement. Save extra hose sections for use as needed for replacement. NOTE: Turn pool pump off when adding or removing hose sections.

Hose Balance

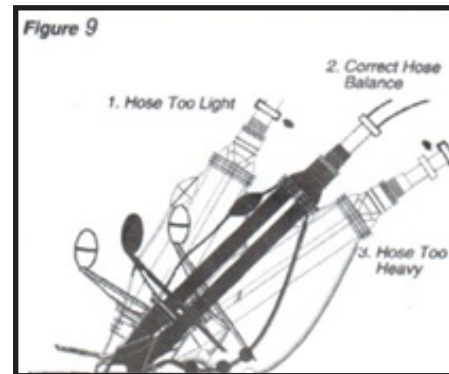
To determine correct hose balance, turn the pump off and observe the cleaner. Hose balance is correct when the cleaner's seal rests flat on the pool floor and the diver tubes make a 45° angle with the floor, as shown in Figure 9. The cleaner achieves the best cleaning coverage when the hose neither weighs down nor pulls up on the unit. Adjust hose weights one inch at a time as needed until proper hose balance is achieved. In pools with both shallow and deep areas, adjust hose weights first in the deep area and then in the shallow area.

INSTALLATION

1. Hose too light: If the hose rises towards the surface at an angle greater than 45° move the weights closer to the cleaner or move the first two weights closer to each other.

2. Hose Too Heavy: If the hose sags downward at an angle less than 45°, move the weights away from the cleaner or separate the first two weights away from each other.

Note: Figure 9 shows only model B, a schematic diagram of the pool balance. Model A, C and D with the same balance diagram of the pool.



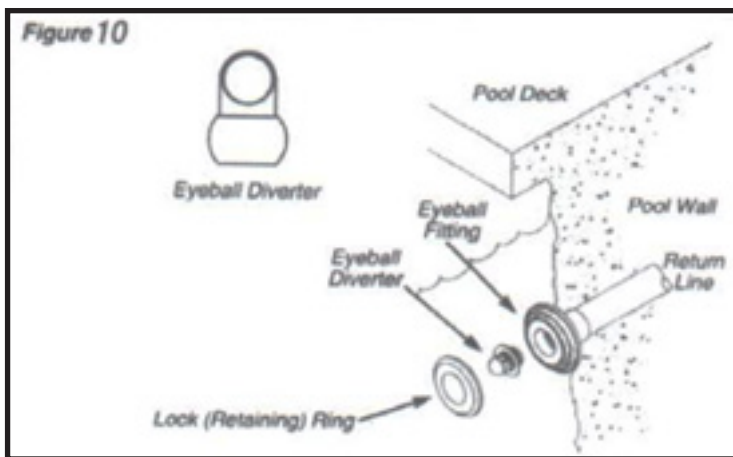
Return Line Water Flow

IMPORTANT: The water flow from your return line can push the cleaner's hose and affect its performance. It may cause the cleaner to steer away from the end of the pool where the return line is located, or it may cause the cleaner to remain in one section of the pool. To correct this, use the eyeball diverter included with your cleaner.

To Install the Eyeball Diverter:

1. First make sure your pool pump is off. Remove the original eyeball from the return line in the pool by unscrewing the lock ring.
2. Replace the original eyeball with the cleaner's eyeball diverter.
3. Replace the lock ring and tighten. Make sure the opening of the eyeball diverter points are facing in the proper direction before tightening fully. See Figure 10.

Eyeball Diverter Positions

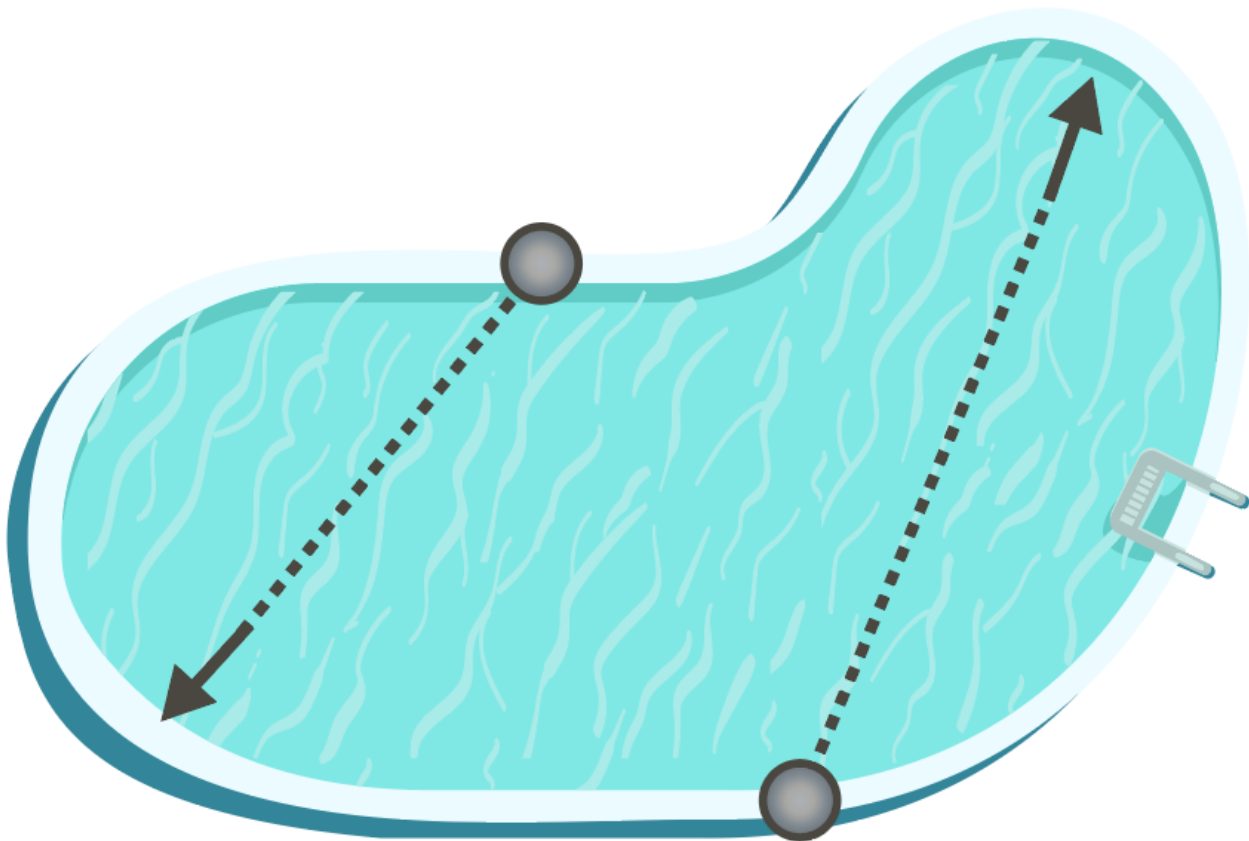


Position the diverter opening to redirect the return line water flow so it does not interfere with the cleaner's movement. Try different positions to see which works best in your pool.

-
- Flow directed along the side of the pool (the tile line)
- Flow directed downward
- Flow directed against the hose will help steer the cleaner away from obstructions such as stairs and ladders.

After installing the eyeball diverter, turn the pool pump on. The cleaner should begin moving across the pool floor vacuuming debris in its path.

INSTALLATION



To ensure the best coverage of your pool, the pool cleaner's hose should be placed at the middle point of the pool. Be sure to keep excess hose out of the pool.

VIDEO TUTORIALS 

LINK TO INSTALLATION VIDEO HERE 

LINK TO TROUBLESHOOTING VIDEO HERE 

Troubleshooting

Because of the individual characteristics of your pool, some additional adjustments may be required to get the best performance from your cleaner.

Is the bottom main drain closed?	Close drain
Is the filter clean?	Clean filter
Is the pump strainer basket clean?	Clean basket
Is debris blocking the bottom of the cleaner?	Remove debris
Are there any leaks in the hose?	Replace leaky section
Is the automatic regulator valve free of debris?	Clean valve

If the cleaner is not moving or pulsating:

- Check to ensure that the main drain and all suction lines are closed except for the suction line to which the cleaner is attached.
- Check for debris in the filter and/or pump basket.
- Check for debris in the cleaner's flapper. Debris may prevent flapper movement or restrict flow.
- Pool pump and filter system may be too small, incapable of providing 20 gallons per minute of water flow. Consult a pool professional if you are unsure.

If the cleaner stays in one end of the pool:

- Check the return line water flow and redirect as necessary with an eyeball diverter.
- Check that the hose is long enough to reach the furthest end of the pool.
- Check that the cleaner has proper hose balance.

If the cleaner stays on the main drain:

- Check to ensure that the main drain is closed. A pool professional may need to assist you.
- Check to make sure the main drain grate is installed.
- If main drain is not flush with the pool floor, consult your pool professional.

If the cleaner slows and air bubbles enter the pool at the return line:

- Find and correct the air leak that is causing the pump to lose its prime
- Check the hose to ensure there are no leaks.
- Check the vacuum connection, it should be submerged so no air enters the system.
- Check the pump basket lid for looseness, cracks and/or worn or missing O-rings. If you need assistance, consult your pool professional.

If the cleaner pulls air from, or remains at the water's surface:

- Check to ensure the dive float mechanism is operating freely and the dive float restrictor is installed.
- Check the automatic regulator valve for proper installation and ensure it is not clogged with debris.
- Make sure the water level is at least 2 inches below the pool deck.
- Check to ensure your cleaner is operating at the proper speed of 8-12 feet per minute.

TROUBLESHOOTING AND MAINTENANCE

If the cleaner stays at the shallow end of the steps:

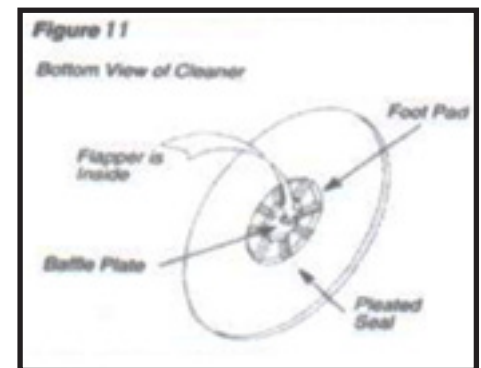
- Check the return line water flow and redirect as necessary with an eyeball diverter.
- Check the automatic regulator valve for its proper installation and ensure it is not clogged with debris.
- Check that the hose is long enough to reach the furthest end of the pool, including the pool steps.
- Check that the cleaner has proper hose balance in the shallow end.
- Check to ensure the dive float mechanism is operating freely and the dive float restrictor is installed.
- Shorten the roller bumper strap by ½ inch. Pull out the upper end of the bumper strap from the locking end clip attached to swivel head. Cut ½ inch off then return bumper strap into locking end clip.

If the cleaner tracks in a repetitive pattern:

- Check the swivel on the top of the cleaner, it should turn freely.
- Check the return line water flow and redirect as necessary with an eyeball diverter.
- Check the cleaner's hose to ensure it has not become bent or kinked, it only takes a bent or kinked hose section to hinder the cleaning coverage. One way to check for kinks in your hose is to lay each section flat on your pool's deck or other flat surface. The hose should be perfectly straight and flat. Do not coil the hose when taking your cleaner out of the pool because it will retain the coil shape, forming a bend or kink.

To remove debris from the flapper:

- Sometimes debris may clog the bottom of the cleaner and prevent flapper movement or restrict water flow. The flapper is located inside the main body and must always move freely. You can see the flapper through the opening in the baffle plate when you turn the cleaner upside down as shown in Figure 11. Jiggle the flapper with your finger or flush the cavity with a hose to force out any debris lodged inside the main body.
- If debris is still lodged inside, you must remove the flapper. First remove the four lids in the foot pad, unscrew it and remove it from the main body. In succession, take out the screw from the piffle plate, pull it out and lastly, remove the flapper. See Figure 12.
- Once the debris is dislodged, insert the flapper back into the main body and snap the baffle plate back into position. Be sure that it is securely in place. See Figure 12.



MAINTENANCE

Visually inspect your cleaner from time to time to make sure that:

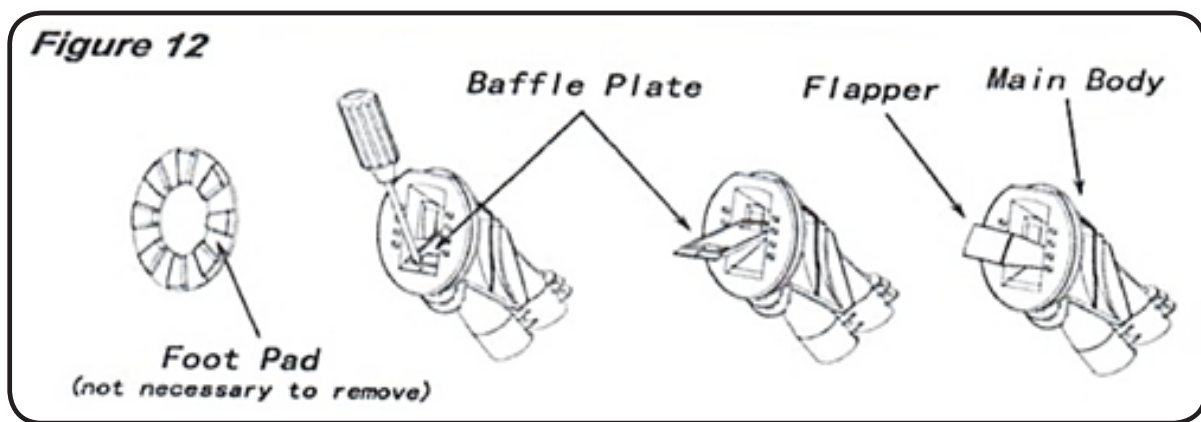
- The flapper is moving freely and is not obstructed by debris.
- The foot pad is not excessively worn. When the traction pads on the bottom have worn down it is time for a replacement.

When storing the cleaner, do not coil the hose. Lay the hose flat in an area protected from direct sunlight. If hose sections are disconnected, try not to disturb the hose weight locations. The cleaner's hose is specifically designed to ensure optimum performance from the cleaner. Should replacement be required, be sure to get a genuine cleaner hose. **Be sure to swap around the hoses every 3 months to prevent them from getting stuck together. This can stop the cleaner from moving properly.**

TROUBLESHOOTING

Disclaimer of Liability – About Your Pool and the Cleaner

There are a multitude of factors that contribute to the life of your pool. The Automatic Pool Cleaner is a passive product that will have no impact on the life of your pool. Please be aware that over time, deterioration, discoloration and brittleness of any pool finish can be caused separately by, or in combination with, age, an imbalance in pool water chemistry, improper installation among other factors. An automatic pool cleaner, such as this cleaner, will not remove or cause wear on “good” pool plaster. In fact, the opposite is true. Pool plaster will eventually cause wear on the cleaner. The same situation holds true for vinyl lined inground swimming pools because vinyl liners are also affected by the environment and factors such as pool water chemistry, sunlight and the pool’s surroundings. Therefore, over time, vinyl can become brittle and weak. In addition, vinyl line pools are affected by the workmanship, composition and installation of the liner and the quality of construction of the supporting walls and pool base. These are all factors which can contribute to liner failure. The existence of any of these types of conditions in your pool is not caused by the use or operation of the cleaner. The manufacturer does not claim responsibility nor liability for repairs or replacement of any of the above named structured or components of the customer’s pool. The pool owner assumes all responsibility for the condition and maintenance of the pool’s surface, water and deck.



Cleaner must be completely disabled by turning off the pool’s pump and suction before cleaning or maintaining the cleaner. Moving parts and suction can injure fingers or body.

STOP PUMP before swimming. The moving pool cleaner, hose, and suction ports can injure or entrap swimmers. **STOP PUMP**, detach hose, and move the cleaner and hose to an unused corner of the pool. If the hose may interfere with the swimmers, remove it from the pool.

This cleaner is not meant to replace chemical treatments. Continue chemical treatments; remove the cleaner during shock treatments.

The cleaner is meant to vacuum small debris and dirt from your pool. Large debris and fallen objects will need to be removed manually.

DO NOT wait until your pool is filthy to run the cleaner. The cleaner should be considered a preventative maintenance for a clean pool.

DO NOT allow anyone, especially children, to use or play with or around the cleaner or hose. Educate the pool users about the dangers of the hose, cleaner, and suction ports.

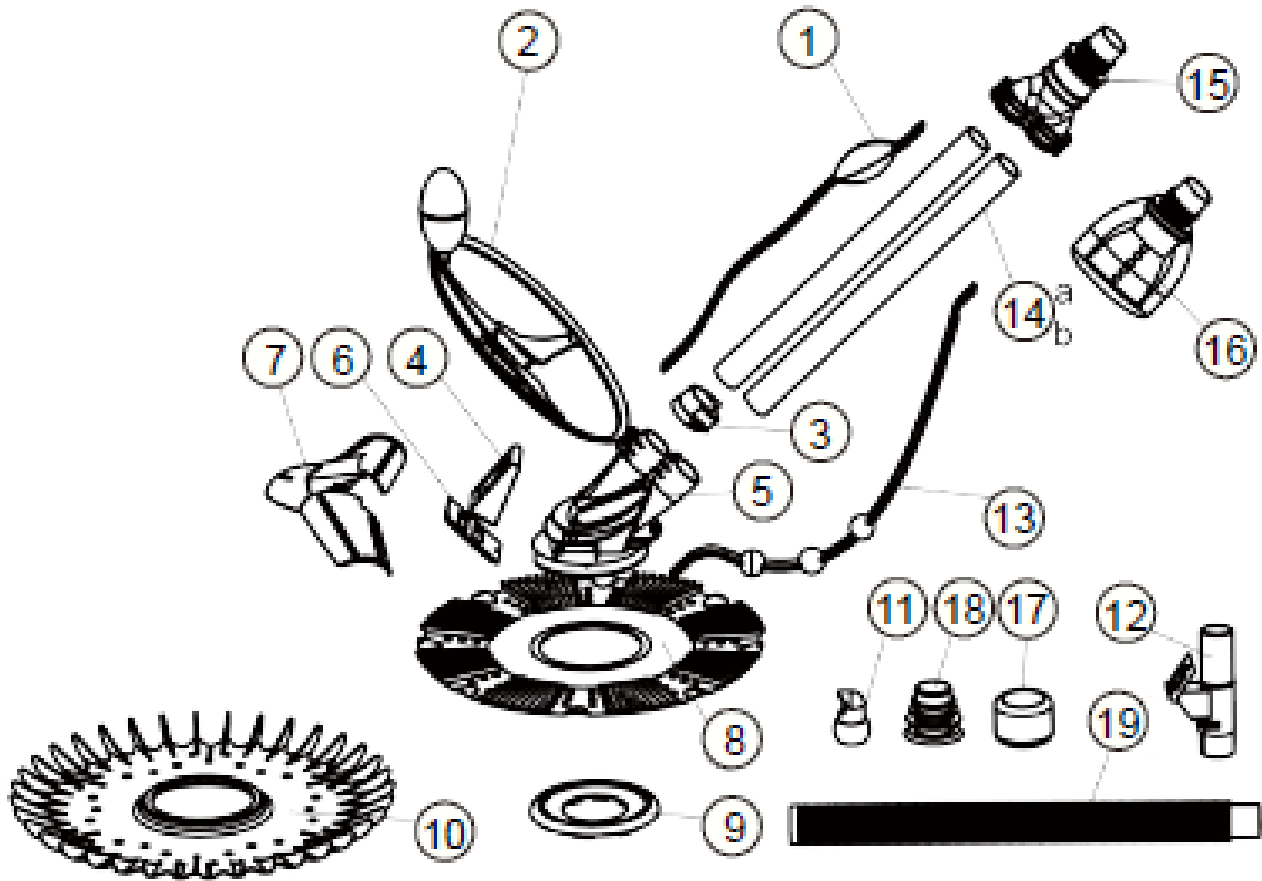
Carefully follow all instructions contained in this manual. Failure to do so may inhibit the cleaner’s operation or damage your pool. The manufacturer disclaims any liability for repairs or replacement to any structures or components in the customer’s pool.

This cleaner was not designed to be the first cleaning after pool construction or at the beginning of the season. Check your pool for wear or tear, for roots, branches, rocks, or other obstructions under the liner. Pools must be free of deterioration, cracked or loose tiles, or other conditions that could damage the cleaner. All pools must be cleaned of algae and debris prior to the cleaner’s first use.

TROUBLESHOOTING

Main issue	Possible cause	Possible resolution
Cleaner hose gets tangled	Hose wound too tightly for a long period of time	Lay hose out in the sun to re set the "memory" and flatten out the hose again
	Swivel points not properly swiveling	Swap hoses around with each-other to create a better connection
	Too much hose for the pool size	Remove sections to reach furthest end of pool without excess
	Weights improperly balanced	Adjust weights one piece at a time, try with one weight then 2 and so on, properly weighting it down so that the hose makes the cleaner sit at a 45* angle
Cleaner moving slowly	Pressure or suction not strong enough	Clean pump basket and filter, turn off bottom suction on pool to divert all suction to the skimmer or vacuum port where the cleaner is hooked up, make sure that your pump is at least 3/4hp, check feed hose/cleaner for any blockage or cracking that would allow pressure to escape, adjust regulator on cleaner to allow for full suction to pass thru.
Cleaner not moving at all	Suction too strong, cleaner sucking down to the bottom of the pool	Reduce suction with the regulator on the cleaner, make sure bottom suction on the pool is turned on
	Cleaner is at the wrong angle	Adjust weights to properly weigh the hoses down so that cleaner sits at a 45* angle, also make sure you have at least 3ft of water so the cleaner can work properly
	Cleaner is stuck on the stairs	Most manufacturers have "ladder guards" that you can use to prevent this.
	Cleaner gets stuck on drain cover	Pool cleaner drain cover can be used to prevent this
	No movement/vibration	Sticks, stones and leaves can get stuck inside the cleaner base, turn cleaner over and check to see if "flapper" inside moves from hole to hole when tipped back and forth, if there is no movement you need to clean out the debris
Cleaner not reaching all areas of the pool	Cleaner gets stuck in the deep end	May be pressure problem, see pressure or suction not strong enough above
	Water flow from the return lines prevents the cleaner from reaching those areas	Eyeball diverter included can be attached to the return line to adjust the way in which the water flows
	Not climbing stairs or reaching to the top of the water line	Most cleaners are not able to reach the top of the water line, on the side or on top of the stairs/love seat.
	Hose is too long/short	See too much hose for the pool size and/or add hose as needed
	Cleaner not reaching shallow end	Check depth of pool, 3ft required 3-1/2ft preferred for cleaner to properly angle the whole way thru

PARTS LIST



Ref. No.	Part No.	Description	QTY
1	647325072	Above balance assembly(only for 75037)	1
2	647325073	Dive float restrictor	1
3	647325024	Strap fixed support	1
4	647325012	Flapper	1
5	647325071	Flapper plate	1
6	647325013	Bottom cover	1
7	647325076	Plane shape assembly for 75036	1
8	647325019	Pleated seal for 75037 only	1
9	647325020	Bottom plate	1
10	647325036	Pleated seal for 75036	1
11	647325021	Eyeball diverter and outer ring	1
12	647325075	Automatic regulator valve	1
13	647325014	Roller bumper strap	1
14a	65748020001	Cleaner pipe for 75036	1
14b	65748020052	Cleaner pipe for 75037	1
15	647325074	Tee assembly for 75037	1
16	647325078	Tee assembly for 75036	1
17	647325025	Hose weights	3
18	647325001	Hose cone	1
19	647325077	Hoses for cleaner 1m	10

DISCLAIMER

PLEASE READ THE FOLLOWING CAREFULLY

THE MANUFACTURER AND/OR DISTRIBUTOR HAS PROVIDED THE PARTS LIST AND ASSEMBLY DIAGRAM IN THIS MANUAL AS A REFERENCE TOOL ONLY. NEITHER THE MANUFACTURER OR DISTRIBUTOR MAKES ANY REPRESENTATION OR WARRANTY OF ANY KIND TO THE BUYER THAT HE OR SHE IS QUALIFIED TO MAKE ANY REPAIRS TO THE PRODUCT, OR THAT HE OR SHE IS QUALIFIED TO REPLACE ANY PARTS OF THE PRODUCT. IN FACT, THE MANUFACTURER AND/OR DISTRIBUTOR EXPRESSLY STATES THAT ALL REPAIRS AND PARTS REPLACEMENTS SHOULD BE UNDERTAKEN BY CERTIFIED AND LICENSED TECHNICIANS, AND NOT BY THE BUYER. THE BUYER ASSUMES ALL RISK AND LIABILITY ARISING OUT OF HIS OR HER REPAIRS TO THE ORIGINAL PRODUCT OR REPLACEMENT PARTS THERETO, OR ARISING OUT OF HIS OR HER INSTALLATION OF REPLACEMENT PARTS THERETO.

Record Product's Serial Number Here: _____

Note: If product has no serial number, record month and year of purchase instead.

Note: Some parts are listed and shown for illustration purposes only and are not available individually as replacement parts.



SAVE THESE INSTRUCTIONS.

The material in this manual is for informational purposes only. The product(s) it describes are subject to change without prior notice, due to the manufacturer's continuous development program. XtremePowerUS makes no representations or warranties with respect to this manual or with respect to the products described herein. XtremePowerUS shall not be liable for any damages, losses, costs or expenses, direct, indirect or incidental, consequential or special, arising out of, or related to the use of this material or the products described herein.

Questions, issues or missing parts?

Before returning to your retailer, our customer service team is here to help.



Call Us: 909.628.0880

Email Us: customer@xtremepowerusa.com

Hours of Operation: 9am - 3pm PST Monday - Friday

PRODUCT MADE IN CHINA