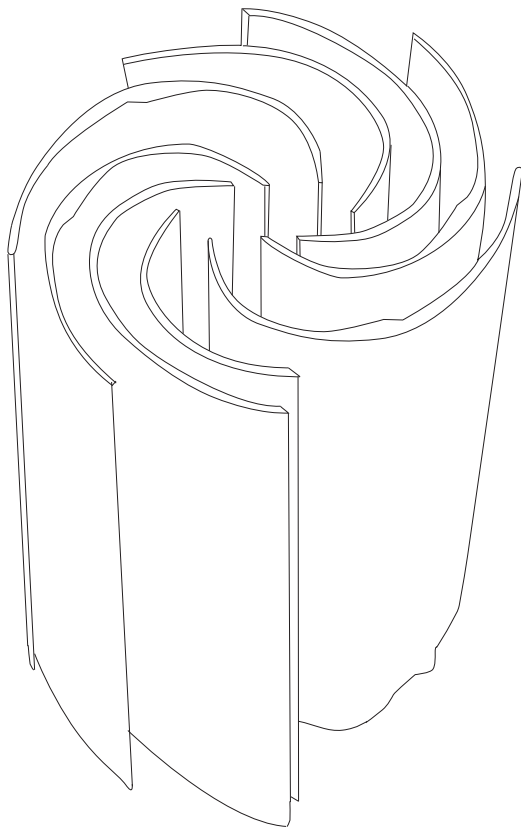




## DE FILTER REPLACEMENT GRID SET

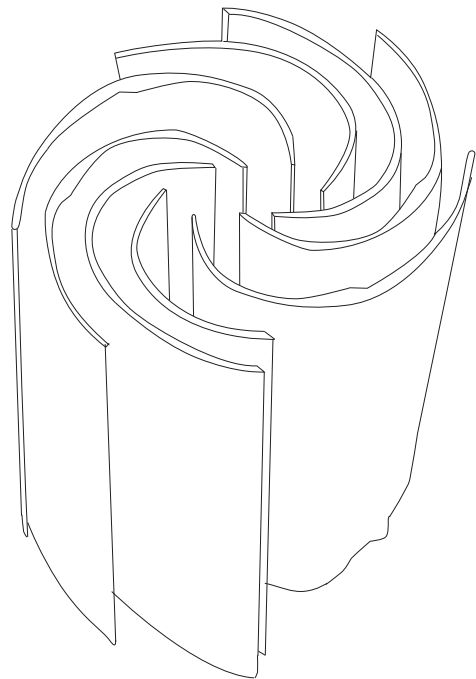
**SKU: 75207**

FITS **62** FT<sup>2</sup> DE FILTER



**SKU: 75208**

FITS **48** FT<sup>2</sup> DE FILTER

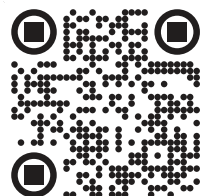


## ASSEMBLY AND USER'S GUIDE

75207



75208





# TABLE OF CONTENTS

<b>TABLE OF CONTENTS</b> .....	<b>1</b>
<b>IMPORTANT SAFETY INSTRUCTIONS</b> .....	<b>2</b>
<i>Legends and Symbols</i> .....	2
<b>PRODUCT INFORMATION</b> .....	<b>3</b>
PACKAGING CONTENTS.....	3
INTRODUCTION.....	4
<b>ASSEMBLY</b> .....	<b>5</b>
ASSEMBLY INSTRUCTIONS.....	5
Step 1: Verify Grid Size.....	5
Step 2: Backwash Filter.....	5
Step 3: Open Air Relief Valve.....	6
Step 4: Drain Tank.....	6
Step 5: Power Shutdown.....	7
Step 6: Detach Clamp Assembly.....	7
Step 7: Lift Tank Lid.....	8
Step 8: Extract Grid Assembly.....	9
Step 9: Disassemble Grid Assembly.....	10
Step 10: Inspect and Select Grids.....	11
Step 11: Clean Tank.....	11
Step 12: Assemble New Grids.....	12
Step 13: Install Grid Retainer.....	13
Step 14: Insert Tie Rod.....	13
Step 15: Position Grid Assembly Upright.....	14
Step 16: Fasten Tie Rod.....	14
Step 17: Position New Grid Assembly.....	15
Step 18: Place Tank Lid.....	15
Step 19: Attach Clamp Assembly.....	16
Step 20: Attach Drain Plug.....	17
Step 21: Leak Testing.....	17
<b>DISCLAIMER</b> .....	<b>18</b>
<i>Disclaimer</i> .....	18
<i>Customer Service</i> .....	18

# IMPORTANT SAFETY INSTRUCTIONS

## IMPORTANT SAFETY INSTRUCTIONS


This guide provides instructions for installing and using the DE FILTER REPLACEMENT GRID SET. If you have any questions about the equipment, please contact XtremepowerUS.


This guide contains important information about safely installing and operating this product. After installation, make sure to share this information with the owner/operator or leave it with them for their reference.


### *Legends and Symbols*

When you come across the safety-alert symbol on your equipment or in this manual, pay attention to the following signal words and remain vigilant about the potential for personal injury.

 **DANGER:** Ignoring these hazards can result in death, severe personal injury, or significant property damage.

 **WARNING:** Indicates potential hazards that can result in severe personal injury, death, or significant property damage. Ignoring these warnings presents a real danger.

 **CAUTION:** Indicates potential hazards that can result in minor or moderate personal injury, property damage, or actions that are unpredictable and unsafe. Ignoring these cautions presents a potential hazard.


 **NOTE:** This label indicates important special instructions that are not directly related to hazards.


---

### **USE OF NON-XTREMEPOWERUS REPLACEMENT PARTS VOIDS WARRANTY**

**ATTENTION INSTALLER:** This manual contains vital information regarding the installation, operation, and safe use of this product. It is essential to provide this manual to the end user of the product. Failure to read and follow all instructions could lead to severe injuries.

---

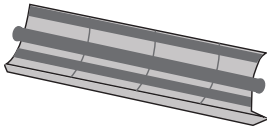
 **DANGER** Failure to comply with all instructions and warnings may lead to severe bodily injury or even death. For optimal safety and functionality, it is advisable to have the product installed and serviced by a certified service professional. Prior to using this product, installers, operators, and owners must carefully review these warnings and all instructions provided in the owner's manual. It is essential to leave these warnings and the owner's manual with the owner for their reference and safety.

 **WARNING** For safety reasons, children should not be allowed to use this product. Packing materials and plastic bags are not toys. Keep them away from children to prevent the risk of suffocation.

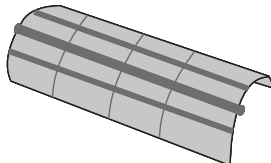
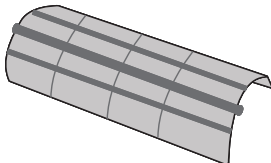
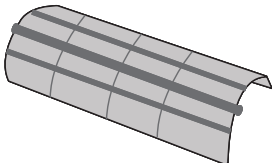
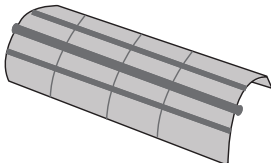
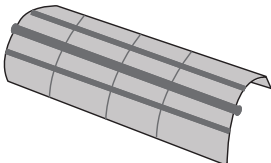
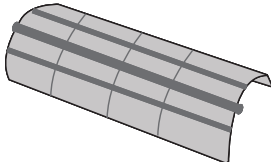
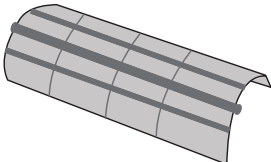
# PRODUCT INFORMATION

## PRODUCT INFORMATION

### PACKAGING CONTENTS



**PARTS # 1**  
**SMALL REPLACEMENT GRID**  
1 PC(S)



**PARTS # 2**  
**REGULAR REPLACEMENT GRID**  
7 PC(S)

## PRODUCT INFORMATION

### INTRODUCTION

XtremepowerUS DE Filter Replacement Grid Set – the optimal choice for maintaining crystal-clear pool water. This replacement grid set is engineered to provide superior filtration, ensuring that every swim is in clean and pure water.

Crafted with high-quality materials, this replacement grid is designed for seamless integration with DE filter systems, making installation straightforward and hassle-free. Its robust construction leads to fewer replacements and improved filtration performance.

The unique design of the DE Filter Replacement Grid maximizes the filtration area, allowing for the most efficient capture of dirt and debris. This results in less maintenance and more time for enjoyment. It's not just a replacement; it's an upgrade to pool cleanliness and peace of mind.

With the Premier DE Filter Replacement Grid, expect:

- Enhanced filtration for water that sparkles with cleanliness.
- Easy installation with a perfect fit for DE filter systems.
- Durable construction that withstands regular use.
- Cost-effective maintenance due to long-lasting materials.

# ASSEMBLY

## ASSEMBLY

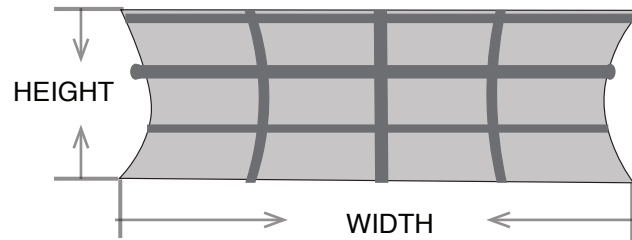
### ASSEMBLY INSTRUCTIONS

#### Step 1: Verify Grid Size

Verify the replacement grids' size match the original ones from the tank.

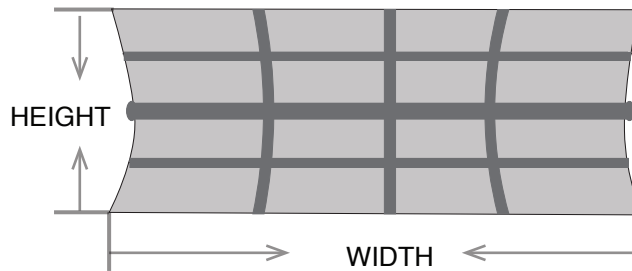
PARTS # 1

THE **SMALL** GRID FROM THE SET



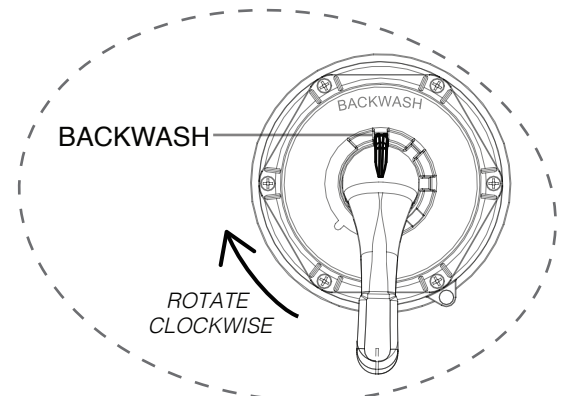
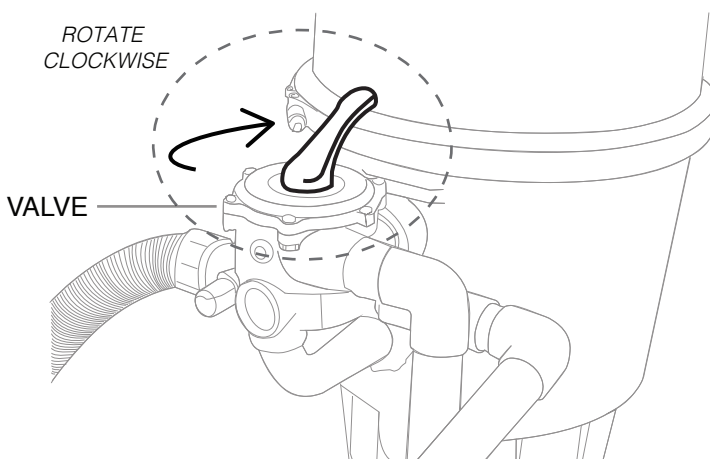
PARTS # 2

THE **REGULAR** GRID FROM THE SET



#### Step 2: Backwash Filter

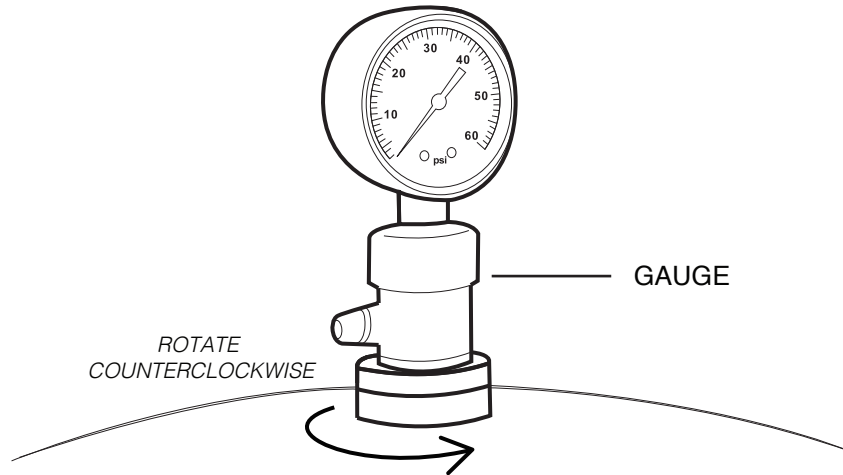
Perform a backwash to remove old DE and debris, facilitating cleaner grid change.



# ASSEMBLY

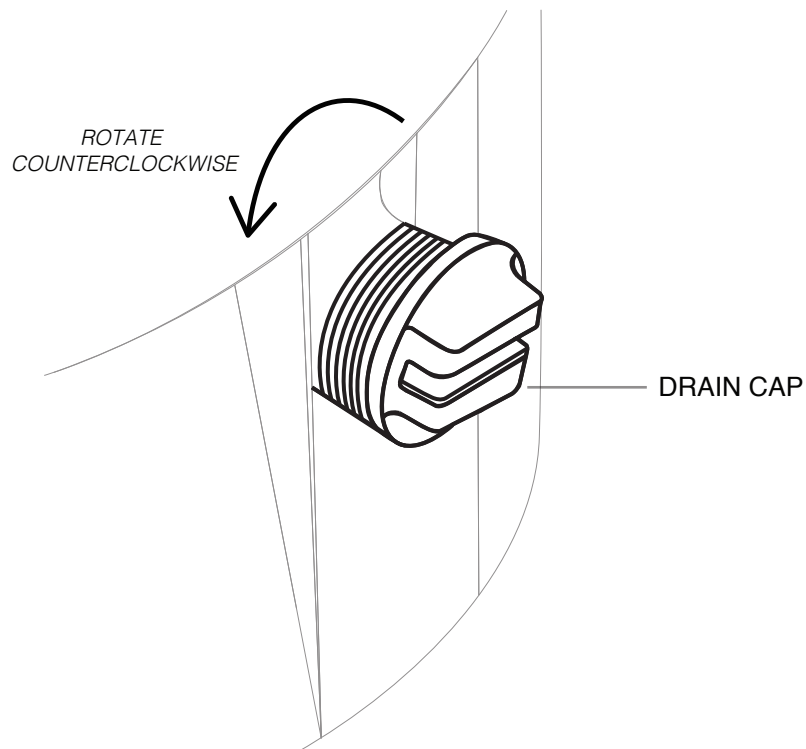
## Step 3: Open Air Relief Valve

Flush out water from tank and plumbing by opening the filter's pressure gauge or (valve).



## Step 4: Drain Tank

Remove the filter's drain cap for water evacuation.

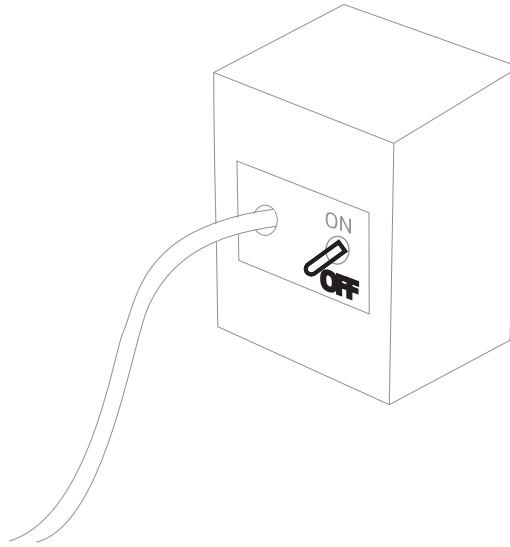




# ASSEMBLY

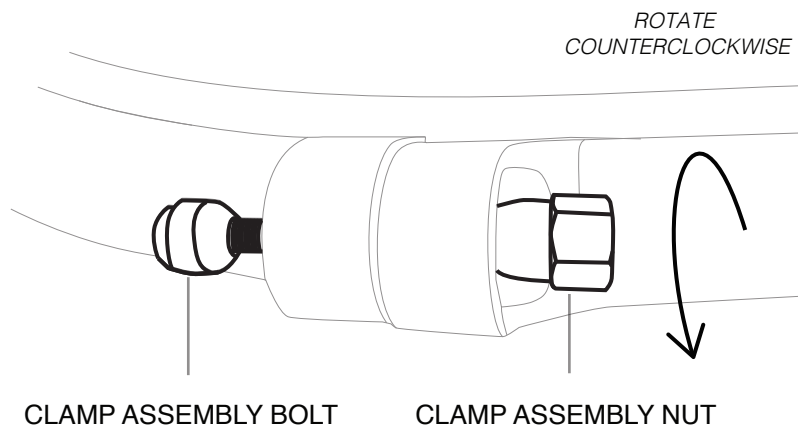
## Step 5: Power Shutdown

Ensure all equipments' power are disconnected at the breaker.



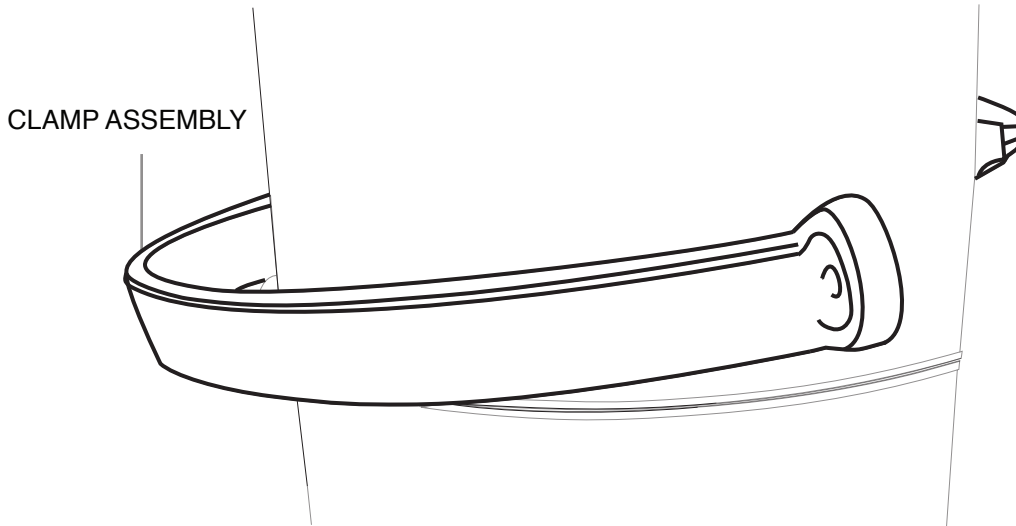
## Step 6: Detach Clamp Assembly

Remove the bolt and nut from the filter's clamp assembly, then remove the whole clamp.



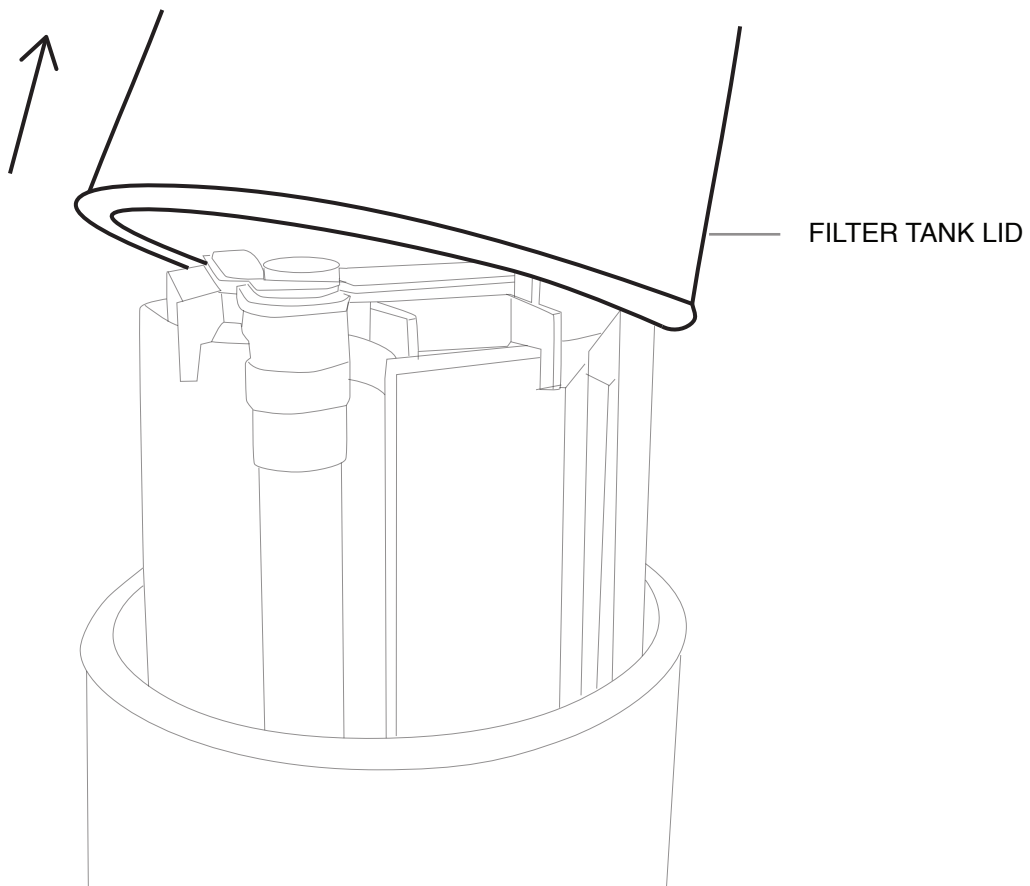
# ASSEMBLY

## Step 6: Detach Clamp Assembly (Continued)



## Step 7: Lift Tank Lid

Take off the filter tank lid for later reinstallation.

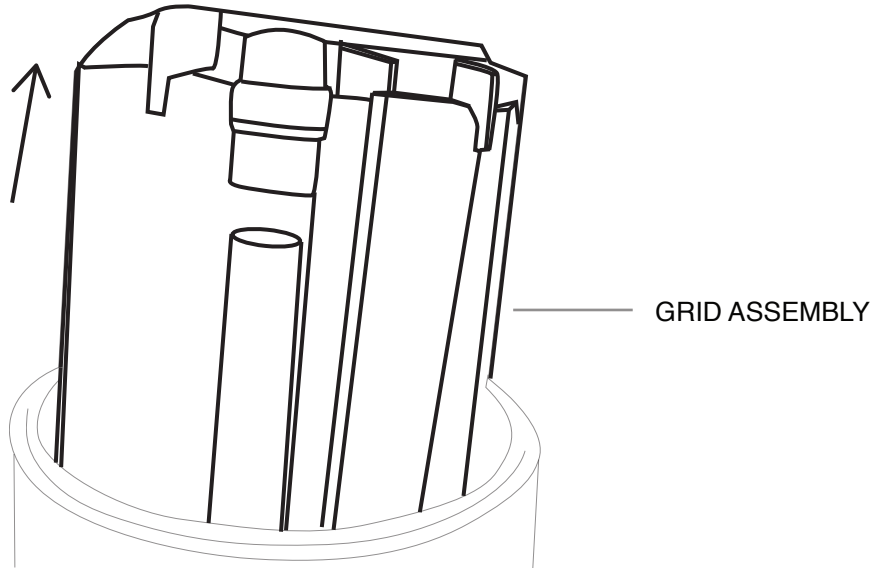


# ASSEMBLY

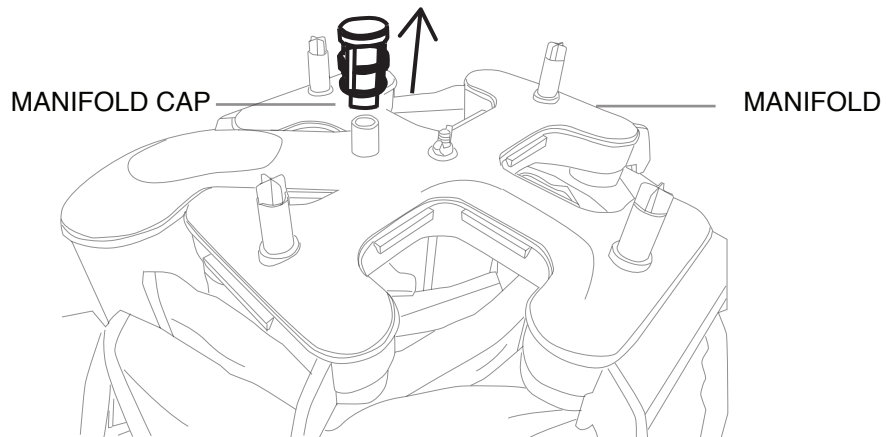
## Step 8: Extract Grid Assembly

Lift the grid assembly from tank. Detach the manifold cap from the top of manifold.

*TOP GRID RETAINER SIDE*



*TOP MANIFOLD SIDE*

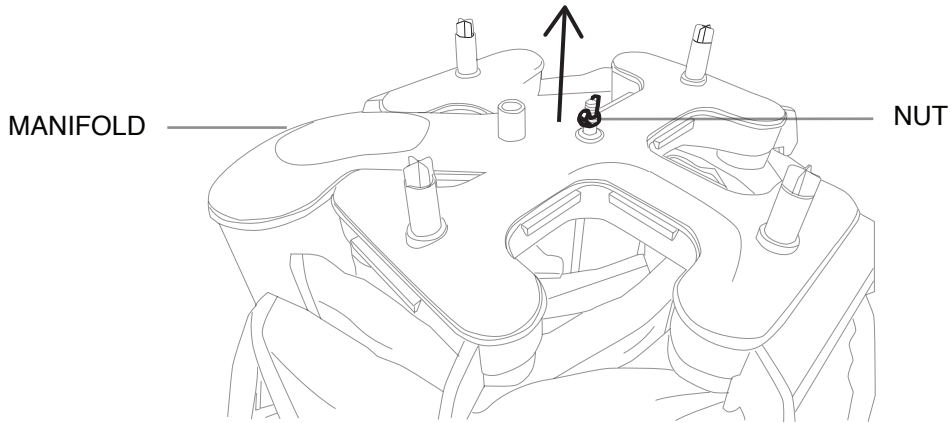


# ASSEMBLY

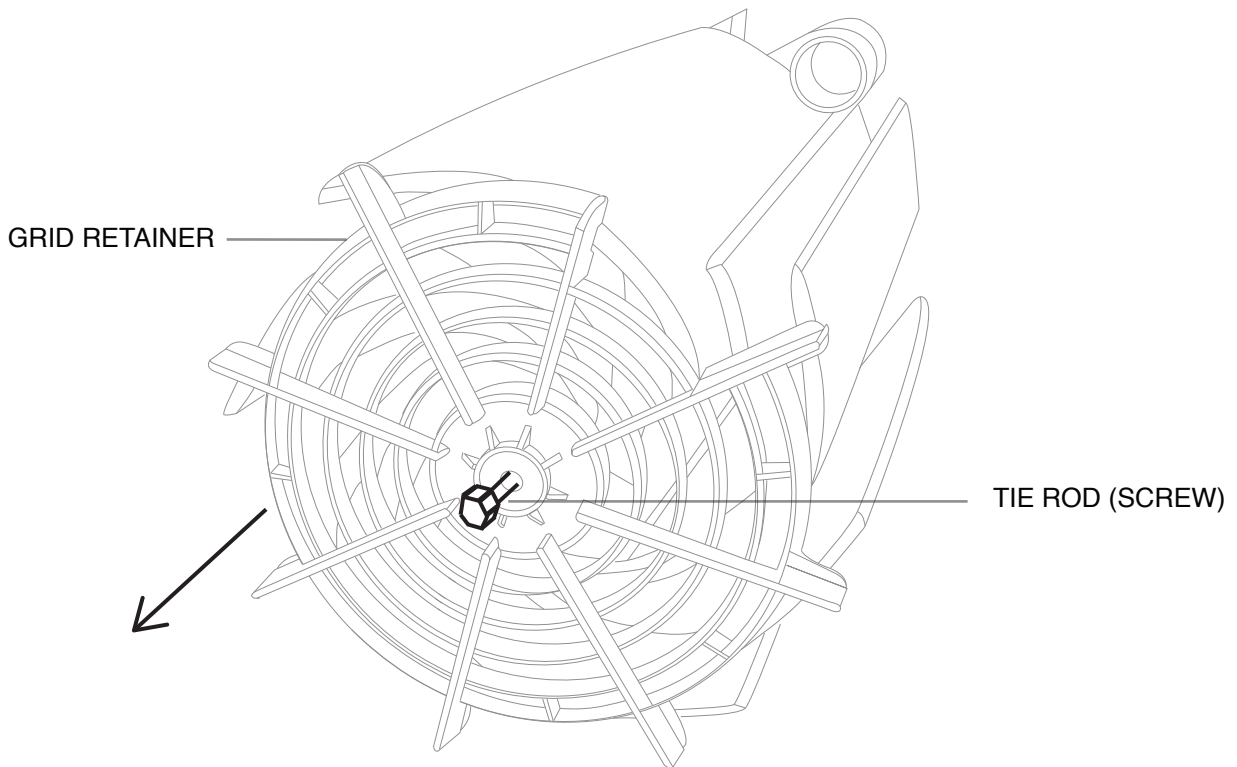
## Step 9: Disassemble Grid Assembly

Detach the manifold from the tie rod by unscrewing the securing nut, preparing for individual grid inspection or replacement.

TOP MANIFOLD SIDE



TOP MANIFOLD SIDE

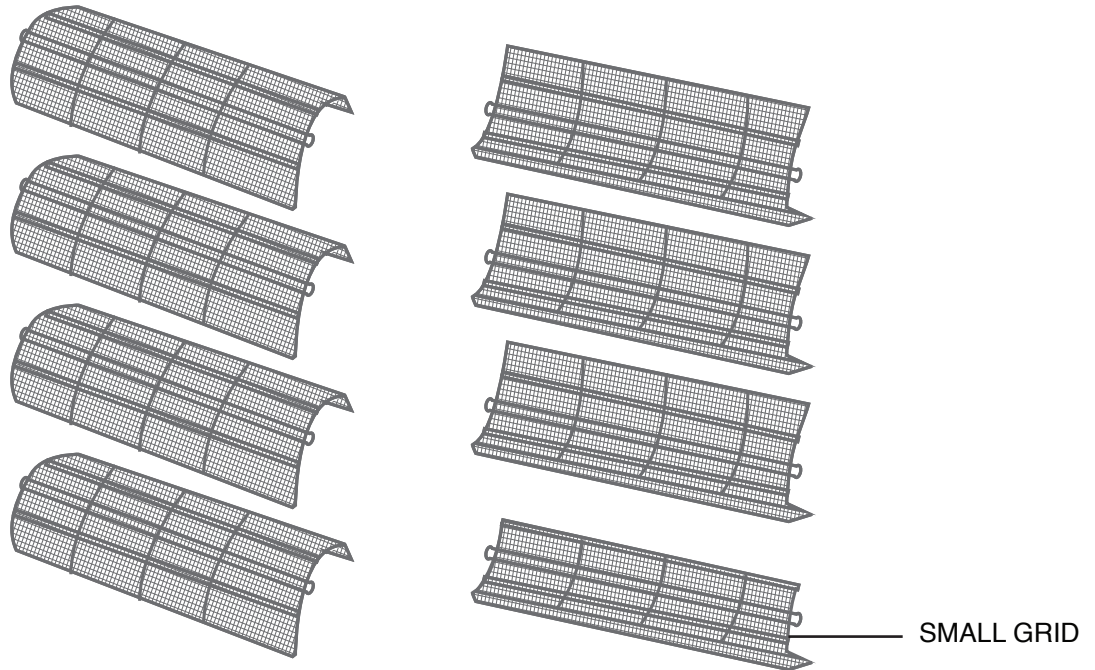


BOTTOM GRID RETAINER SIDE

# ASSEMBLY

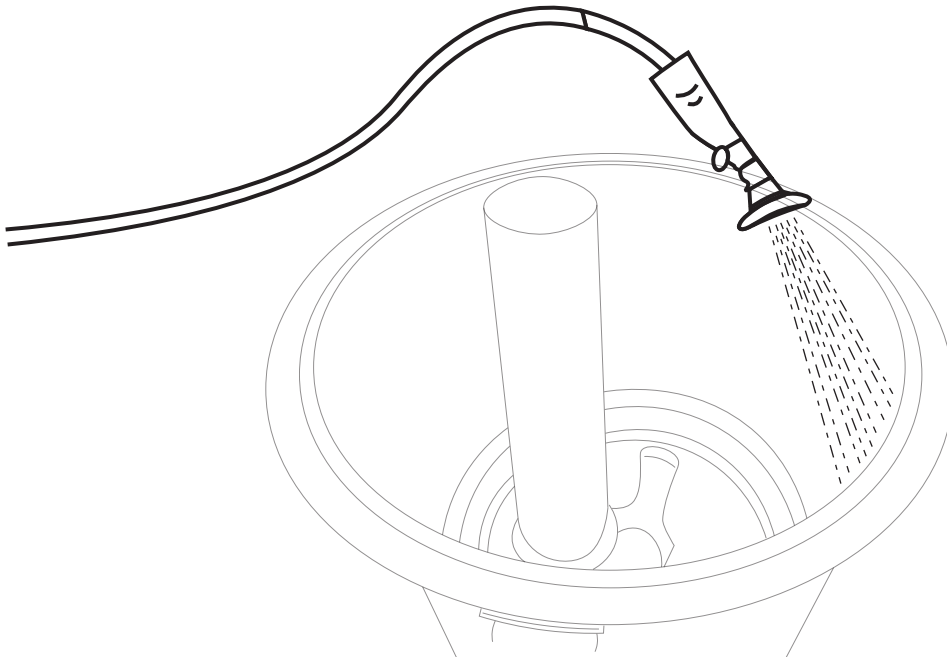
## Step 10: Inspect and Select Grids

Evaluate grids for damage, removing only those necessary or replace the entire set as needed.



## Step 11: Clean Tank

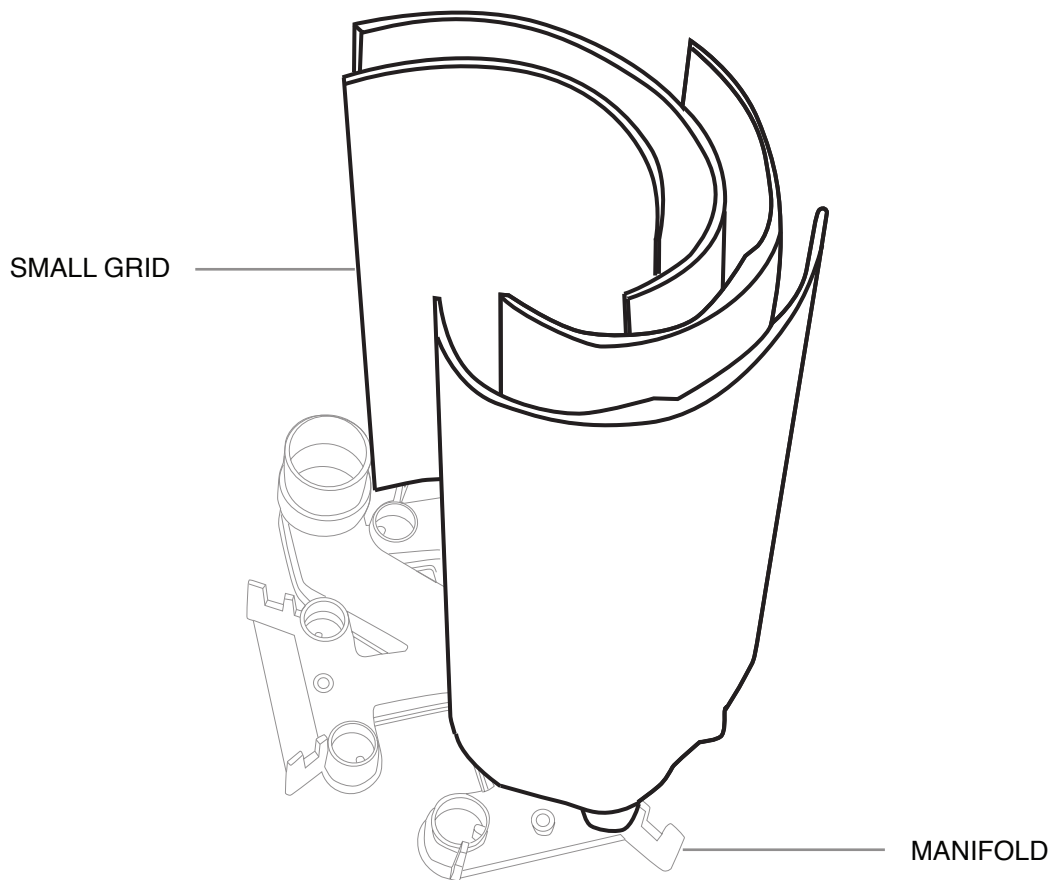
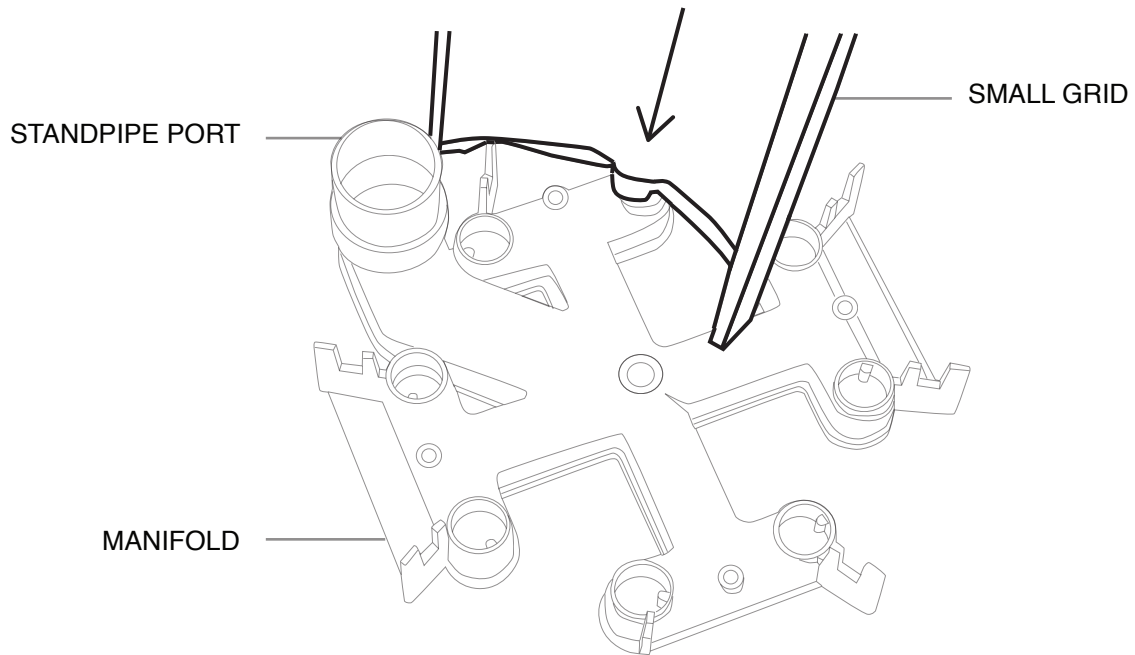
Wash out any residual DE powder or debris, ensuring the tank's bottom and gasket grooves are clean.



# ASSEMBLY

## Step 12: Assemble New Grids

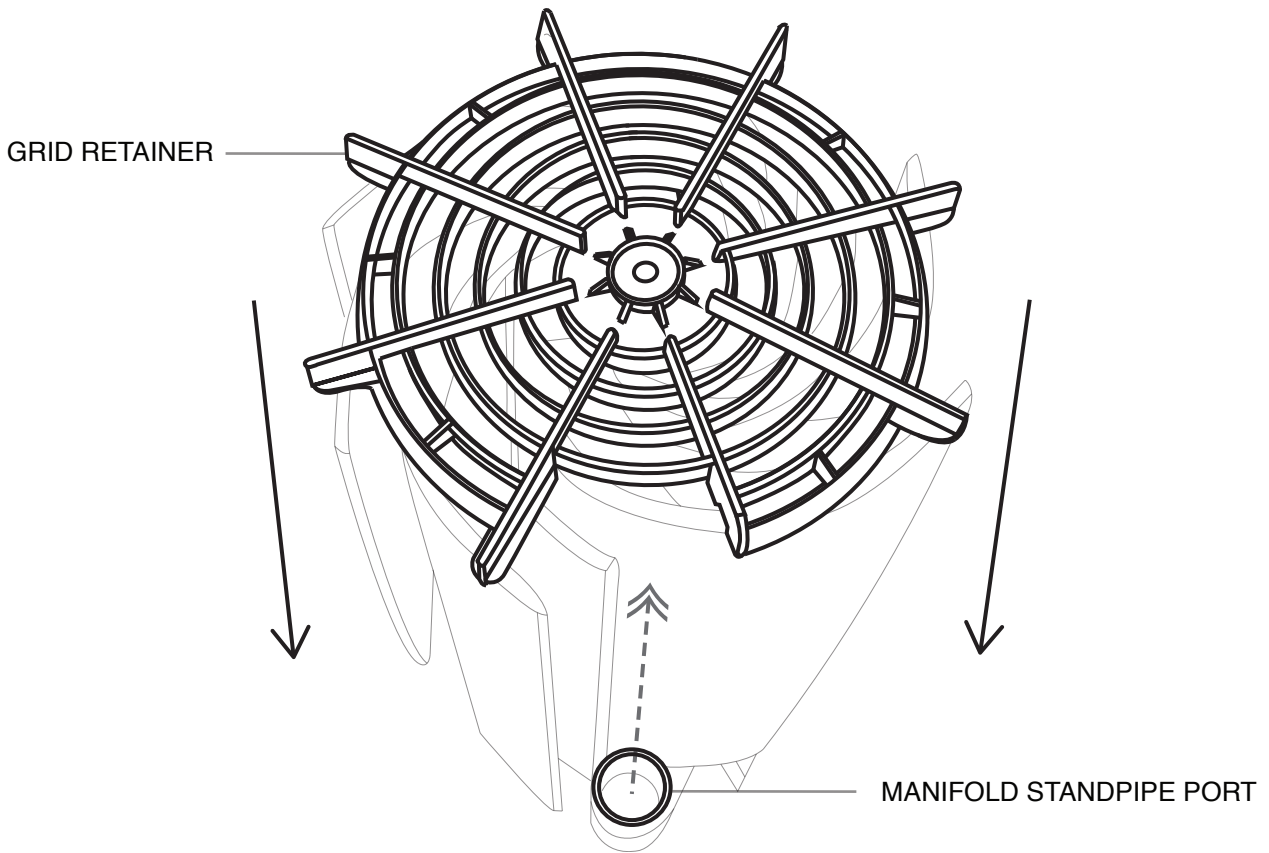
Place the manifold on a stable surface, then sequentially install grids into the manifold, starting from the standpipe port with small grid.



# ASSEMBLY

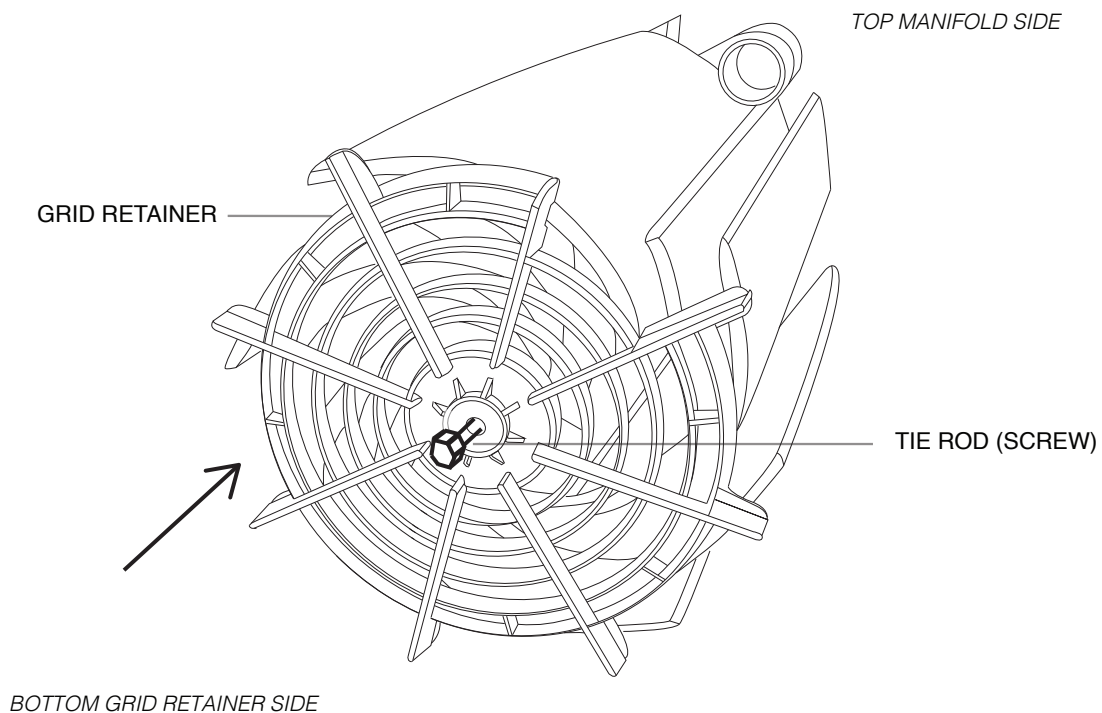
## Step 13: Install Grid Retainer

Align the grid retainer and top manifold standpipe port, ensuring correct grid placement.



## Step 14: Insert Tie Rod

Insert the tie rod through the retainer and manifold.

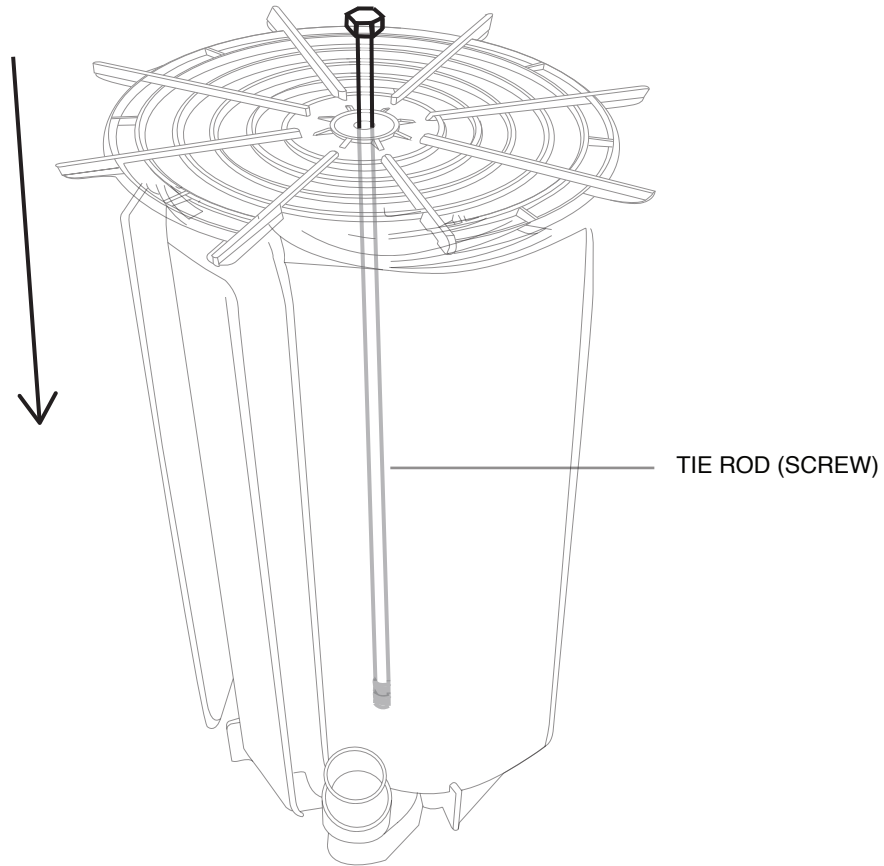


# ASSEMBLY

## Step 15: Position Grid Assembly Upright

Flip the grid assembly to an upright position, holding both the retainer and manifold.

*BOTTOM GRID RETAINER SIDE*

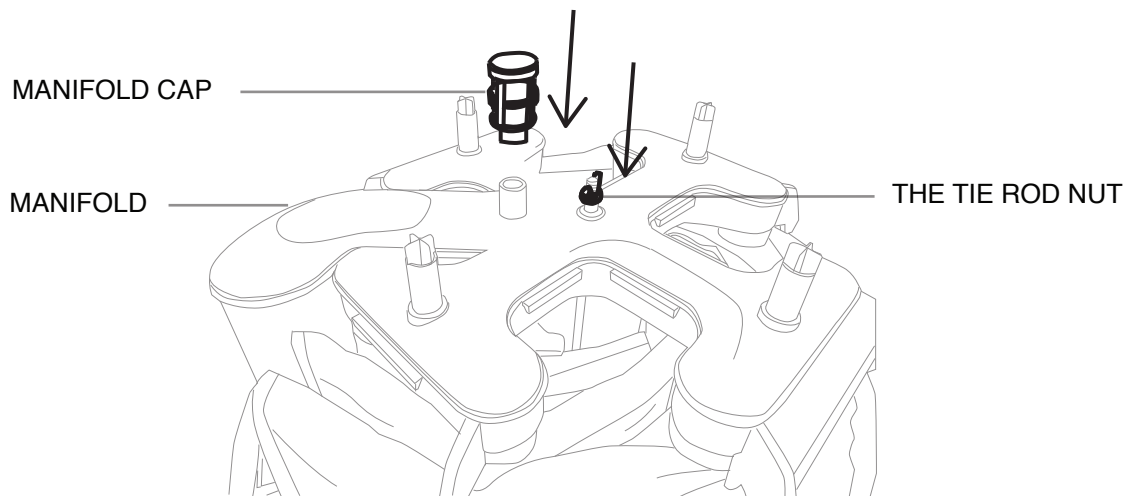


*TOP MANIFOLD SIDE*

## Step 16: Fasten Tie Rod

Attach the tie rod nut to secure the manifold at the assembly's top. Attach the manifold cap to the top of manifold.

*TOP MANIFOLD SIDE*

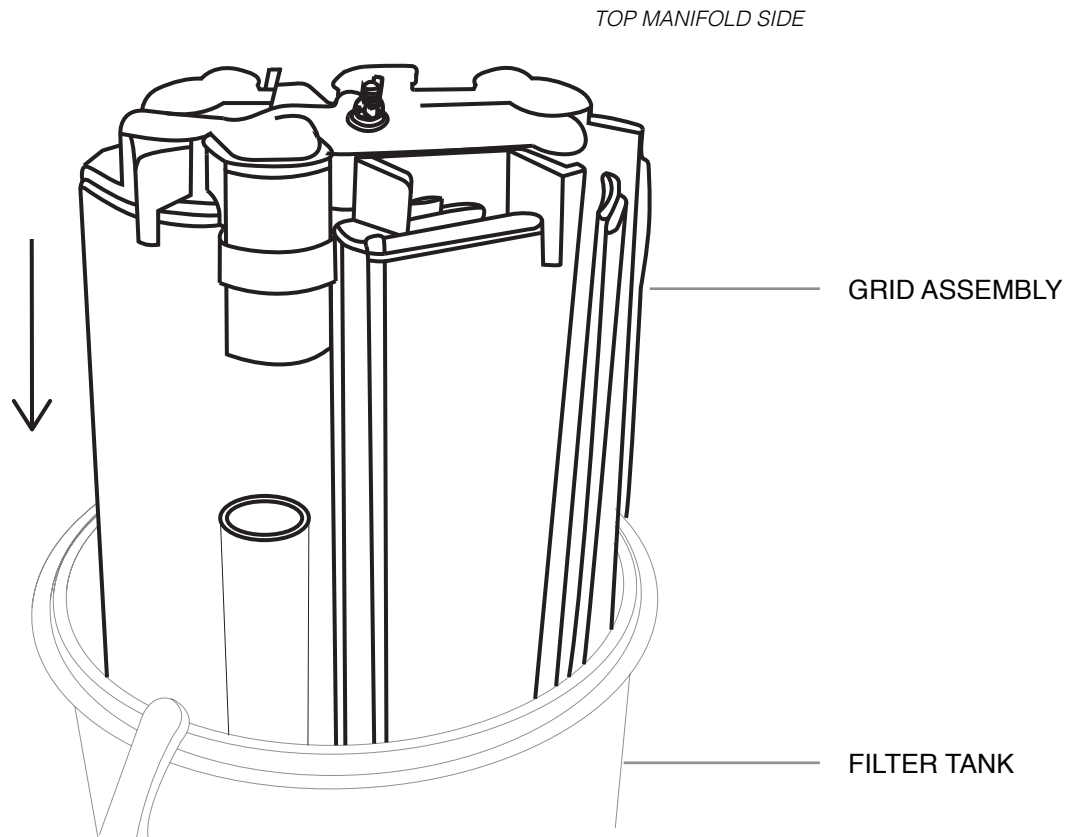




# ASSEMBLY

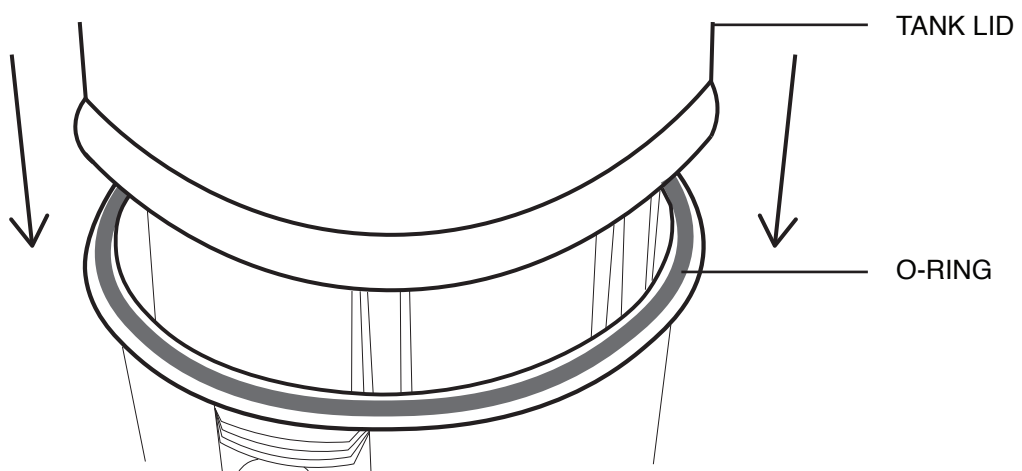
## Step 17: Position New Grid Assembly

Align and install the grid assembly within the tank, ensuring proper standpipe alignment, then reassemble the manifold cap onto the top of manifold.



## Step 18: Place Tank Lid

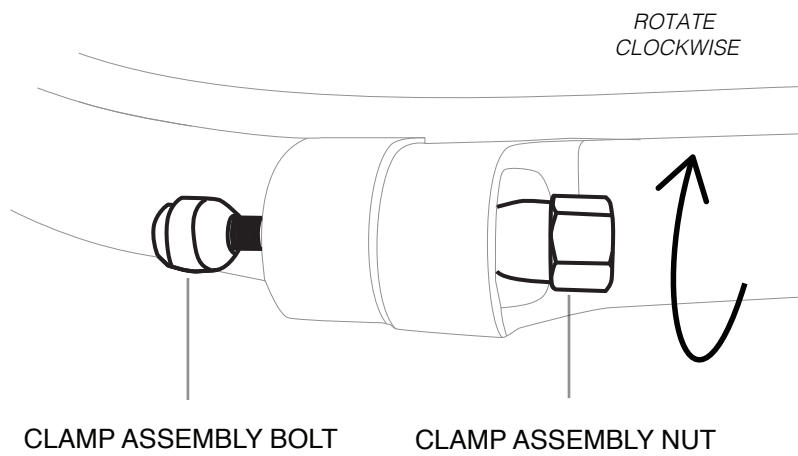
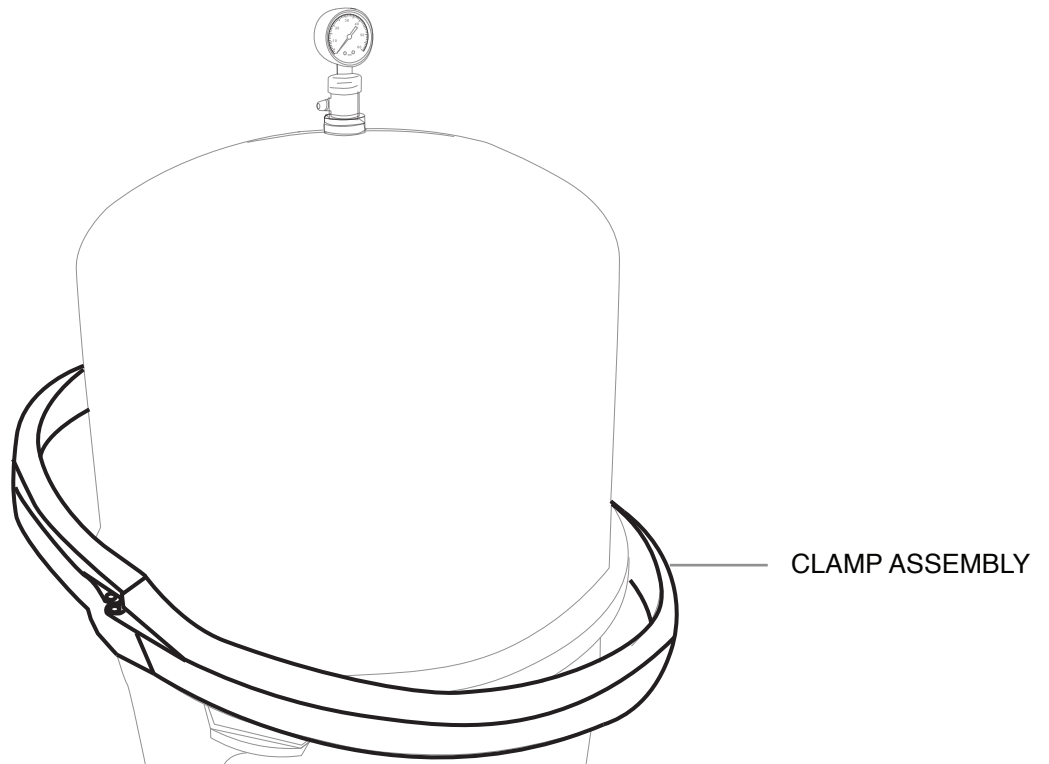
Reattach the tank lid, maintaining the o-ring in its designated groove.



# ASSEMBLY

## Step 19: Attach Clamp Assembly

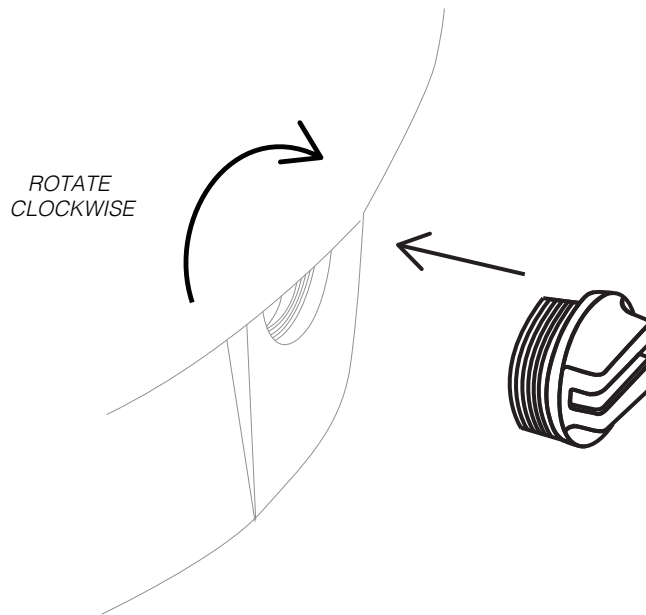
Evenly attach the clamp assembly, and securely fasten the bolt and nut.



# ASSEMBLY

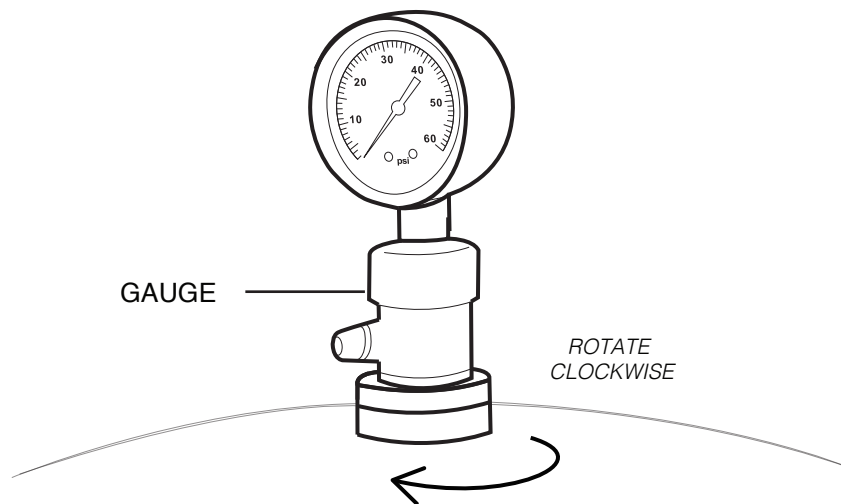
## Step 20: Attach Drain Plug

Secure the tank's drain plug.



## Step 21: Leak Testing

Fasten and secure the filter's pressure gauge or (valve). Activate the pump for priming, checking for leaks and ensuring proper seal alignment if leaks are present.



## DISCLAIMER

### *PLEASE READ THE FOLLOWING CAREFULLY*

---

The manufacturer and/or distributor have provided the parts list and assembly diagram in this manual for reference purposes only. They do not make any representation or warranty to the buyer that they are qualified to make repairs to the product or replace any parts of the product. In fact, the manufacturer and/or distributor expressly state that all repairs and parts replacements should be undertaken by certified and licensed technicians, and not by the buyer.

The buyer assumes all risk and liability arising from their repairs to the original product or replacement parts or arising from their installation of replacement parts. It is strongly advised that qualified professionals handle any repairs or replacements to ensure safety and proper functioning of the product. Improper installation and operation may result in injury, property damage, or voiding of warranty. The manufacturer and/or distributor shall not be held responsible for any accidents, damages, or malfunctions resulting from the buyer's installation and operation of the product. It is essential to follow all safety guidelines and recommendations provided in this manual and to seek professional assistance if unsure about the installation or operation procedures.

---

## CUSTOMER SERVICE

If you have any questions about ordering our pool pumps and replacement parts or pool products, please feel free to contact us using the following contact information:

### *Customer Service and Technical Support*

**Phone:** (909) 628-0880

**Email:** [customer@xtremepowerusa.com](mailto:customer@xtremepowerusa.com)

**Hours of Operation:** Monday – Friday, 9AM – 4PM (CST)

---