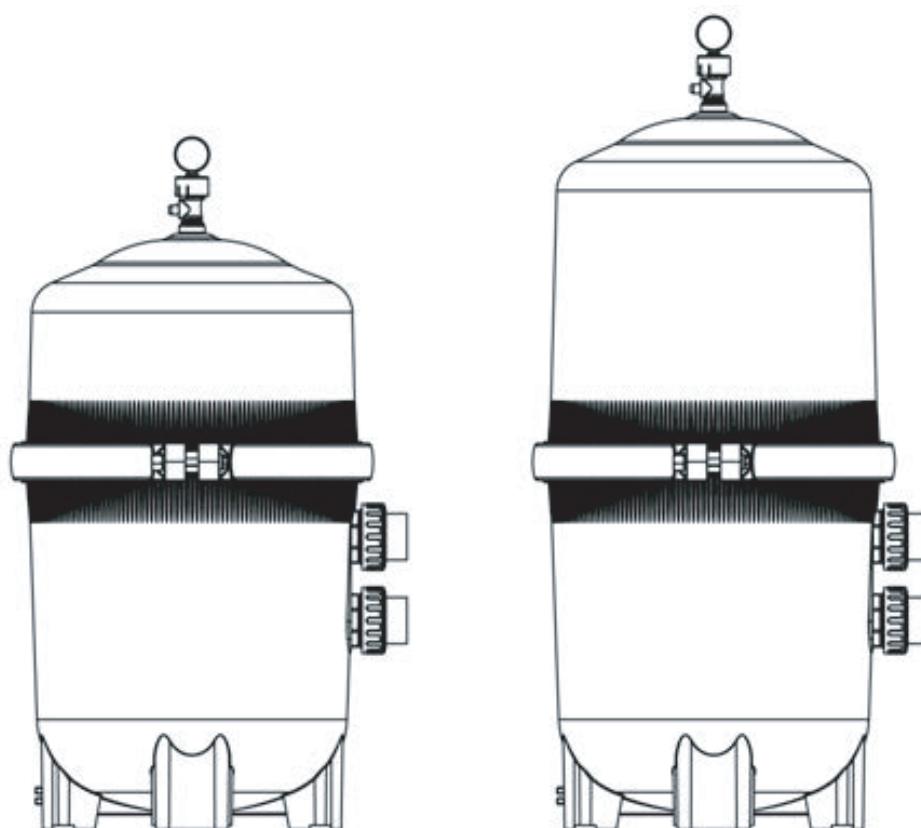




DE FILTER 60 FT / 48 FT

SKU: 75221

SKU: 75222



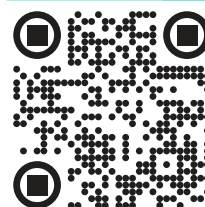
INSTALLATION AND USER'S GUIDE

⚠ DANGER

Read all safety warnings and instructions.
Failure to follow the warnings and
instructions may result in electric shock,
fire and/or serious injury. Save all warnings
and instructions for future reference.

75221

75222



THIS PAGE INTENTIONALLY LEFT BLANK

TABLE OF CONTENTS

TABLE OF CONTENTS	1
CUSTOMER SERVICE	1
<i>Customer Service and Technical Support</i>	1
IMPORTANT SAFETY INSTRUCTIONS	2
<i>Legends and Symbols</i>	2
GENERAL SAFETY	3-4
OVERVIEW (PRODUCT INFORMATION)	5
PACKAGE CONTENTS	5
INSTALLATION	6
GENERAL INFORMATION	6
INSTALLATION	6
OPERATION	7
STARTING THE PUMP AND FILTER SYSTEM	7
FILTERING	8
MAINTENANCE	9
FILTER MAINTENANCE	9
DISASSEMBLY INSTRUCTIONS	9
CLEANING	10
ASSEMBLY INSTRUCTIONS (<i>STEP 1 - 21</i>)	11-23
REMOVING THE MANUAL AIR RELIEF VALVE	24
WINTERIZING	24
SERVICE AND REPAIRS	25
TROUBLESHOOTING	25
REPLACEMENT PARTS	26
<i>Parts Diagram</i>	26
DISCLAIMER	27

CUSTOMER SERVICE

If you have any questions about ordering our pool pumps and replacement parts or pool products, please feel free to contact us using the following contact information:

Customer Service and Technical Support

Phone: (909) 628-0880

Email: customer@xtremepowerusa.com

Hours of Operation: Monday – Friday, 9AM – 4PM (CST)

IMPORTANT SAFETY INSTRUCTIONS





IMPORTANT SAFETY INSTRUCTIONS

This guide provides instructions for installing and using the pump. If you have any questions about the equipment, please contact XtremepowerUS.

This guide contains important information about safely installing and operating this product. After installation, make sure to share this information with the owner/operator or leave it with them for their reference.


Legends and Symbols


When you come across the safety-alert symbol on your equipment or in this manual, pay attention to the following signal words and remain vigilant about the potential for personal injury.


-  **DANGER:** Ignoring these hazards can result in death, severe personal injury, or significant property damage.
-  **WARNING:** Indicates potential hazards that can result in severe personal injury, death, or significant property damage. Ignoring these warnings presents a real danger.
-  **CAUTION:** Indicates potential hazards that can result in minor or moderate personal injury, property damage, or actions that are unpredictable and unsafe. Ignoring these cautions presents a potential hazard.
-  **NOTE:** This label indicates important special instructions that are not directly related to hazards.

USE OF NON-XTREMEPOWERUS REPLACEMENT PARTS VOIDS WARRANTY

ATTENTION INSTALLER: This manual contains vital information regarding the installation, operation, and safe use of this variable speed pump. It is essential to provide this manual to the end user of the product. Failure to read and follow all instructions could lead to severe injuries.

 **CAUTION** READ, UNDERSTAND, AND FOLLOW ALL SAFETY AND OPERATION INSTRUCTIONS. FAILURE TO COMPLY WITH THESE INSTRUCTIONS MAY RESULT IN SEVERE PERSONAL INJURY OR DEATH.

 **CAUTION** To minimize the risk of injury, do not allow children to use or climb on this product. Always supervise children closely. According to the ANSI/NSPI-4 Standard (for above-ground and on-ground pools), components like the filtration system, pumps, and heaters should be positioned to prevent young children from accessing the pool.

 **WARNING** **COMPONENT SEPARATION HAZARD**
Pool and spa water circulation systems operate under dangerous pressure during startup, regular operation, and potentially after pump shutdown. Failure to follow safety and operation instructions can cause explosive component separation in the upper filter body, resulting in severe personal injury or death. This product should be installed and serviced exclusively by a qualified pool professional.

IMPORTANT SAFETY INSTRUCTIONS

TO AVOID COMPONENT SEPARATION:

- Adhere to all safety and operation instructions.
- Do not operate the water circulation system if any system component is improperly assembled, damaged, missing, or not a genuine component.
- Before performing maintenance on the water circulation system, ensure that all system and pump controls are in the OFF position and the filter manual air relief valve is in the OPEN position.
- Use ONLY genuine components to avoid potential failures and explosive separation.
- Never rely on hand-tightening the clamp nut to the clamp bolt. Use a 3/4" socket on a torque wrench and torque the clamp nut and clamp bolt to 150 inch-lbs.
- Before starting the system pump, ensure that the filter manual air relief valve body is in the LOCK position in the filter upper body.
- Check that all system valves are positioned to allow water from the filter to return to the pool before starting the system pump.
- Prior to starting the system pump, make sure the manual air relief valve is in the OPEN position.
- Do not stand over or near the filter when starting the pump.
- If water leakage occurs around the filter tank clamp area, immediately shut off all system circulation pumps and electrical power. Do not approach the filter until all water flow has ceased. Follow the instructions in this owner's manual to reassemble the clamp system and stop the leak.
- Only close the manual air relief valve when a continuous stream of water (not air or a mixture of air and water) is discharged from it.
- Do not change the filter control valve position while the system pump is running.

⚠ WARNING EXCESS PRESSURE HAZARD

Pressure testing the pump and filter system above 50 PSI can lead to explosive component separation, resulting in severe personal injury or death.

⚠ WARNING ELECTROCUTION HAZARD

High Voltage electricity is present within the pool and spa equipment, posing a risk of electric shock and electrocution, which can lead to severe personal injury or death.

- Ensure that all electrical wiring complies with local codes, regulations, and the National Electrical Code (NEC).
- Prior to any service or maintenance on electrical equipment, turn off all electrical power.
- Consult a licensed electrician or building inspector to learn about local electrical codes and bonding requirements.
- Confirm that water discharged from the filter manual air relief valve is directed away from electrical devices and avoid locating pump controls over or near the filter.



COMPONENT SEPARATION HAZARD



EXCESS PRESSURE HAZARD



ELECTROCUTION HAZARD

IMPORTANT SAFETY INSTRUCTIONS

⚠ WARNING SUCTION ENTRAPMENT HAZARD

Suction outlets and/or suction outlet covers that are damaged, broken, cracked, missing, or unsecured can pose severe injury and death risks due to various entrapment hazards:

- Hair Entrapment: Hair can become entangled in suction outlet covers.
- Limb Entrapment: Inserting a limb into a damaged, broken, cracked, missing, or unsecured suction outlet sump or cover can lead to mechanical binding or limb swelling.
- Body Suction Entrapment: Negative pressure applied to a large portion of the body or limbs can result in entrapment.
- Evisceration/Disembowelment Entrapment: Directly applying negative pressure to the intestines through an unprotected suction outlet sump or cover can cause evisceration/disembowelment entrapment.
- Mechanical Entrapment: There is a risk of jewelry, swimsuits, hair decorations, fingers, toes, or knuckles getting caught in openings of a suction outlet cover, leading to mechanical entrapment.



SUCTION ENTRAPMENT HAZARD

TO MINIMIZE ENTRAPMENT HAZARDS:

- Install a minimum of two functioning suction outlets per pump. Suction outlets in the same plane (e.g., floor or wall) must be positioned at least three feet (3') or one meter apart, measured from the nearest points.
- Place dual suction outlets to prevent "dual blockage" by a user.
- Avoid locating dual suction outlets on seating areas or their backrests.
- Design the pool or spa circulation system in accordance with ANSI/APSP-7 2006.
- Ensure that suction outlet covers adhere to ANSI/ASME A112.19.8 standards.
- Do not use the pool or spa if any suction outlet component (cover/grate) is damaged, broken, cracked, missing, or not securely attached.
- Promptly replace any damaged, broken, cracked, missing, or insecurely attached suction outlet components.
- Regularly clear suction outlet components of debris such as leaves, dirt, hair, paper, and other materials to reduce the potential for suction entrapment.

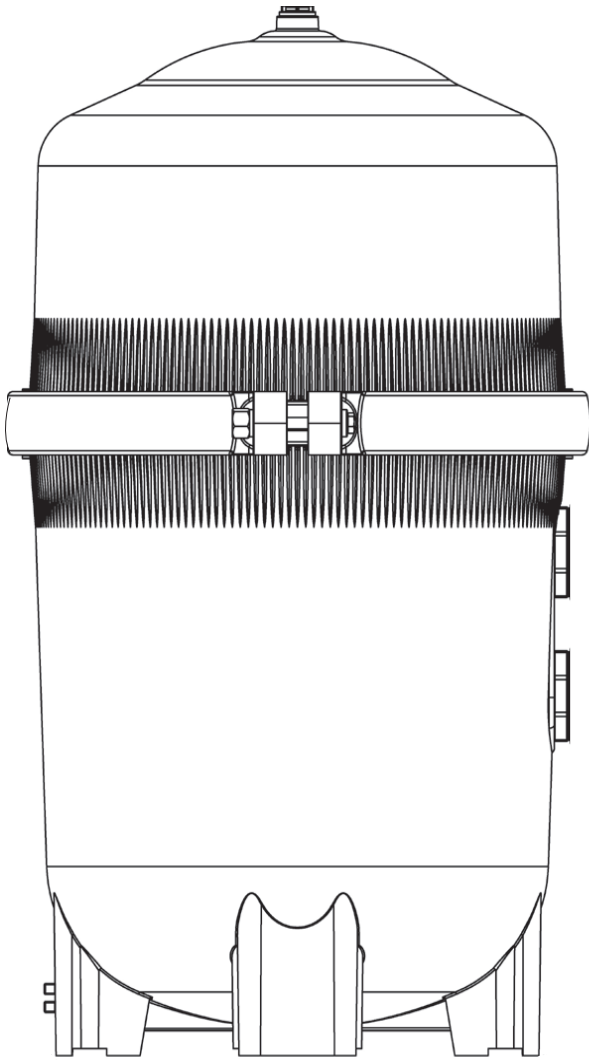
Suction outlet covers and grates have a limited lifespan and should be inspected regularly and replaced within the specified time frame.

SAVE THESE INSTRUCTIONS

OVERVIEW (PRODUCT INFORMATION)

PACKAGE CONTENTS

SKU 75221 / SKU 75222



D.E. POOL FILTER 1 PC(S)



**INSTRUCTION MANUAL
1 PC(S)**

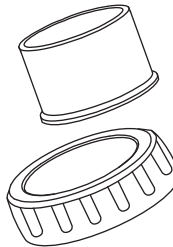


**PARTS # 1
PRESSURE GAUGE
1 PC(S)**

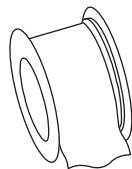
**PARTS # 2
MANUAL AIR RELIEF ASSEMBLY
1 PC(S)**



**PARTS # 16
O-RING
2 PC(S)**



**PARTS # 15
ADAPTOR PLUG SCREW
2 PC(S)**



**THREAD SEALING TAPE
1 PC(S)**

MODEL	EFFECTIVE FILTRATION RATE		DESIGN FLOW RATE	
	<i>FT²</i>	<i>M²</i>	Residential <i>GPM</i>	Commercial <i>LPM</i>
75221	60	5.7	120	454
75222	48	4.46	96	363

MAXIMUM WORKING PRESSURE FOR ALL MODELS 50 PSI (3.45 BAR)

INSTALLATION

GENERAL INFORMATION

The Vertical Grid D.E. Filter provides an effective water filtration solution, combining user-friendly operation with corrosion-resistant construction. It employs diatomaceous earth (D.E.), renowned as the most efficient dirt remover and filter medium available. During the initial start-up, D.E. is typically introduced through the skimmer, coating the filter elements, which are protected by a custom monofilament polypropylene filter cloth. As pool water is pumped through the control valve into the lower section of the filter tank, the D.E. coating efficiently captures even the smallest particles, resulting in crystal-clear, sparkling water.

Over time, as dirt accumulates in the filter, it creates resistance to water flow, leading to increased pressure and reduced flow. This indicates that the D.E.'s dirt-holding capacity has been reached, signaling the need to clean (backwash) the filter. With the control valve set to the backwash position, water reverses through the filter, flushing out trapped dirt, debris, and D.E. through the waste line. Once the filter has been backwashed and cleared, the control valve is manually returned to the filter position, and a fresh supply of D.E. is added to resume filtration.

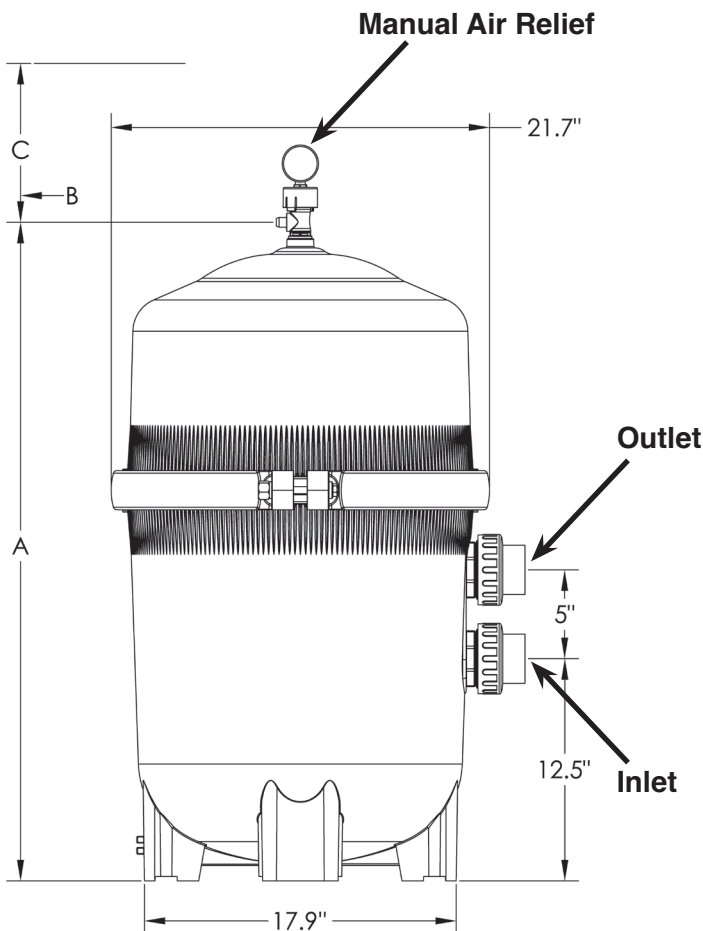
INFO SKU	A		REQUIRED CLEARANCE			
			"B" SIDE		"C" ABOVE	
	IN	CM	IN	CM	IN	CM
75221	37	94	18	46	18	46
75222	44.3	112.5	18	46	22	56

INSTALLATION LOCATION



This product must be installed and serviced exclusively by a qualified pool professional. Below are important installation guidelines to follow:

1. The filter system should be situated on a level concrete slab or another sturdy base. Choose a well-drained and ventilated area that does not flood during rainfall. Position the filter so that the piping connections and winter drain are easily accessible for operation, service, maintenance, and winterization.
2. Place the filter in a position that allows it to drain by gravity.
3. If possible, position the pump and filter in a shaded area to protect them from continuous direct sunlight and excessive heat.
4. Attach the appropriate Filter Control Valve (not included) to the filter. First, lubricate the O-ring. Align the two valve pipe connections, each with an O-ring in place, with the two openings on the side of the filter tank, and press them in firmly. Secure the assembly to the tank connections with the two bulkhead lock nuts. Be careful not to over-tighten.
5. Connect the pool suction plumbing, linking the skimmer, pool outlet, and the pump.
6. Connect the pump discharge (pump OUTLET) to the filter INLET.
7. Connect the filter OUTLET to the pool return plumbing lines.
8. Avoid placing pump controls directly over or near the filter.
9. Ensure that the water discharge from the Manual Air Relief Valve (MAR) is directed away from electrical devices to prevent any potential hazards.

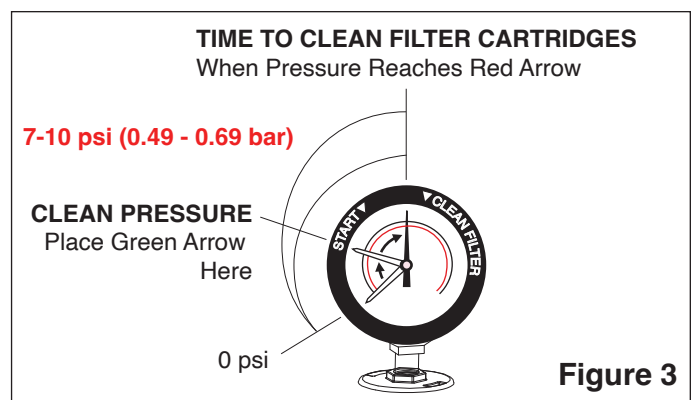


STARTING THE PUMP AND FILTER SYSTEM



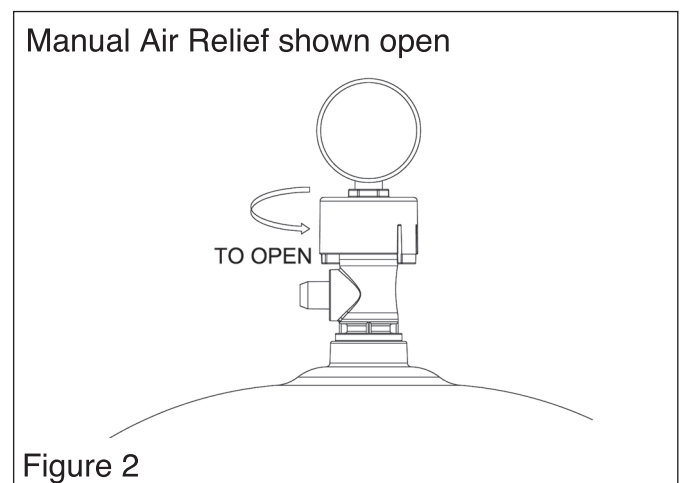
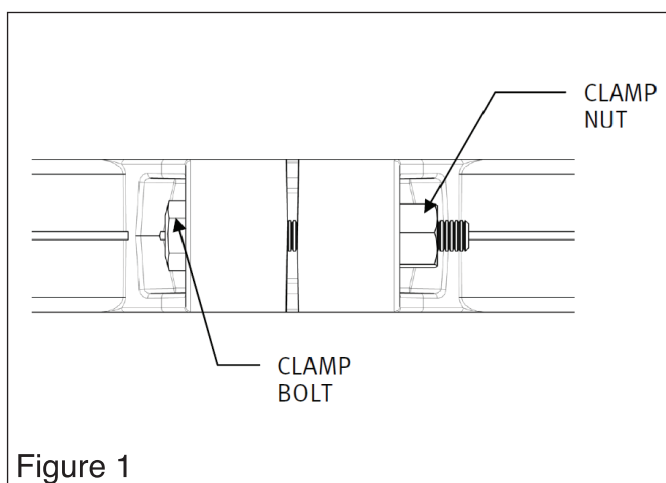
BEFORE STARTING THE PUMP

- **Use ONLY Original Components:** Utilize only original components, as non-original parts may malfunction during use, potentially leading to explosive separation of components.
- Verify that the upper and lower filter bodies are securely fastened with the filter body clamp.
- Avoid relying solely on hand-tightening the clamp nut. Instead, use a $\frac{3}{4}$ " socket with a torque wrench to tighten the clamp nut to the clamp bolt, applying 150 inch-lbs of torque (refer to Fig. 1).
- Ensure the filter manual air relief valve is securely locked in position, and confirm that no filter components are missing, damaged, or non-genuine (see Fig. 2).
- **Close Filter Drain:** Note that the filter drain plug requires an o-ring seal for proper closure (see Fig. 4).
- **Open All System Valves:** Ensure all system valves are fully open to allow water to flow from the pool to the filtration system and from the filter back to the pool.
- **Position the Manual Air Relief Valve:** Place the manual air relief valve in the OPEN position (see Fig. 2).



STARTING THE PUMP

- **Exercise Caution:** When starting the system pump, avoid standing directly over or near the filter. If water leakage occurs at the filter tank clamp, immediately turn off all system circulation pumps and disconnect the electrical power. Do not approach the filter until the water leakage has completely stopped. To resolve the leak, follow the clamp system reassembly instructions detailed on page 7 of this owner's manual.
- **Closing the Manual Air Relief Valve:** Return to the filter only after a steady stream of water (with no air or a mixture of air and water) is discharged from the manual air relief valve. Once the water flow is consistent, you can safely CLOSE the manual air relief valve.



- **Important Safety Reminder:** Always exercise extreme caution when following these instructions to ensure the safe operation of your pump and filter system.

OPERATION

WARNING



FILTERING

Filtration begins once the filter has been pre-coated. As the filter removes dirt from the pool water, the accumulated debris will create resistance to the flow. Consequently, the gauge pressure will increase, and the flow rate will decrease. When the pressure rises 8-10 psi (0.55-0.69 bar) above the pre-coat pressure, it indicates the need to perform a backwash (cleaning) operation on the filter. After your filter is operational and a pressure reading is visible, align the green arrow with the current reading (refer to Fig. 3). When the pressure reaches or exceeds the red or second arrow, it is essential to clean the filter.

Please note that during the initial cleanup of the pool, especially with a new pool or highly contaminated water, more frequent backwashing may be required due to the heavy initial dirt load. Exercise caution and vigilance to maintain the effectiveness of your filtration system.

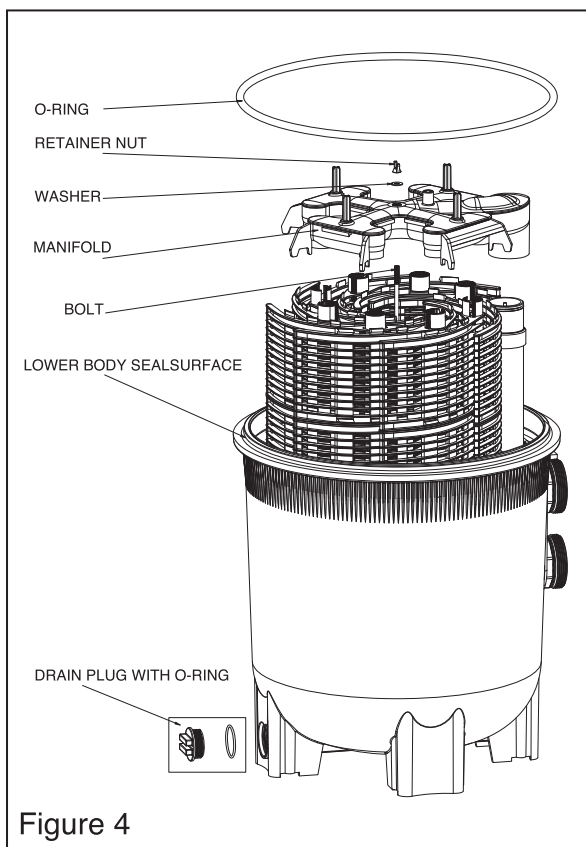


Figure 4

FILTER	<ul style="list-style-type: none"> Set the valve to FILTER for normal filtration. This setting is also used for regular vacuuming.
BACKWASH	<ul style="list-style-type: none"> Shut off the pump. Set the Filter Control Valve to BACKWASH. Start the pump and backwash for approximately two minutes, or until the water coming out of the waste line appears clean. Shut off the pump. Set the Control Valve to RINSE. Start the pump and run it for 20 seconds. Shut off the pump. Set the Filter control valve back to FILTER. Follow the pre-coating process to add fresh D.E.
RINSE	<ul style="list-style-type: none"> Water flows through the filter similarly to the FILTER position, but in this setting, the water goes to WASTE. This position is optimal for pre-coating if a large cloud (pre-coat puff) is observed returning to the pool during the pre-coating process.
WASTE	<ul style="list-style-type: none"> Use this setting to bypass the filter for draining or lowering the water level. It is also useful for vacuuming heavy debris directly to WASTE.
RECIRCULATE	<ul style="list-style-type: none"> Water is re-circulated through the pool system, bypassing the filter.
CLOSED	<ul style="list-style-type: none"> Shuts off the flow from the pump to the filter.
POOL OR SPA BOOST	<ul style="list-style-type: none"> This function directs water to be re-circulated through the pool system without going through the filter, which can help boost water flow for either the pool or spa as needed.

	VALVE TYPE		
	Six-Way Filter Control Valve	Four-Way Filter Control Valve	Two-Way Slide Valve
Filter	X	X	X
Backwash	X	X	X
Rinse	X		
Waste	X	X	
Recirculate	X		
Closed	X		
Pool or SPA Boost		X	

MAINTAINING YOUR FILTER

WARNING

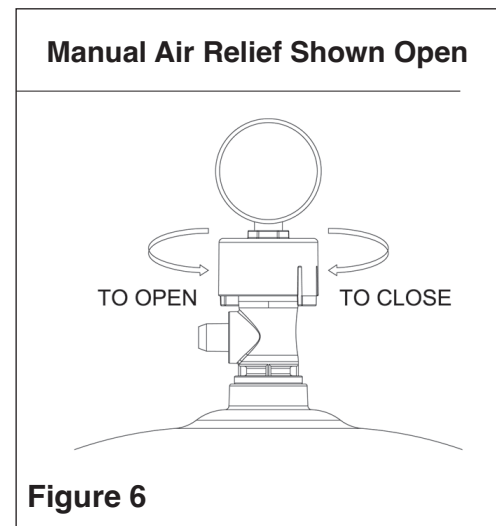
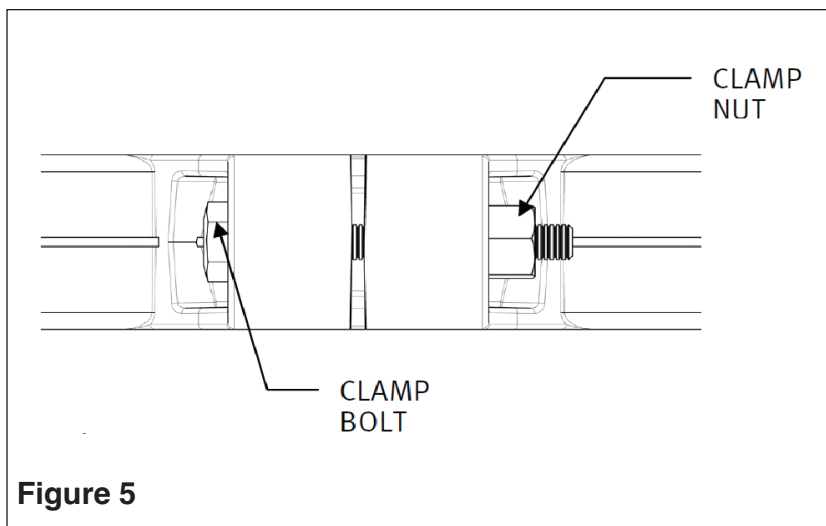


WARNING

This product must be installed and serviced exclusively by a qualified pool professional.

FILTER DISASSEMBLY INSTRUCTIONS

1. Turn off all system circulation pumps and all electrical power on the equipment pad.
2. Set all system valves to a position that prevents water from flowing to the filter.
3. Ensure the manual air relief valve is in the OPEN position (refer to Fig. 6).
4. Remove the filter drain plug (Fig. 4) and drain the water from the filter.
5. Using 3/4" wrenches or hex sockets, loosen and remove the clamp nut and bolt (Fig. 5).
6. While securely holding both ends of the filter clamp, carefully spread the clamp ends and lift the clamp over the upper filter body. Take care not to drop the clamp, as it may become damaged. Avoid striking the clamp with metal tools to prevent damage.
7. Lift off the upper filter body, taking care not to use the pressure gauge as a lifting point.



REMOVING THE ELEMENT CLUSTER

1. Remove the upper filter body, unscrew the retainer nut, and then remove the manifold on top of the filter (Fig. 4).
2. Remove the filter element cluster assembly by using a slight rocking motion and lifting it up.
3. Clean the filter element cluster.

CLEANING THE FILTER ELEMENT CLUSTER

The filter element cluster can be cleaned by washing it inside and outside with a garden hose. After hosing down the filter element cluster, gently brush the pleated surface to remove fine particles for optimal results. Avoid using high-pressure washing, as it can damage the filter element cluster. Some debris may remain on the element cluster even after hosing.

FILTER REASSEMBLY INSTRUCTIONS

⚠ WARNING

Before proceeding with re-assembly, note the following safety guidelines. This product must be installed and serviced exclusively by a qualified pool professional.

REINSTALLING THE FILTER ELEMENT CLUSTER ASSEMBLY

1. Lubricate the O-rings on the outlet elbow.
2. Carefully replace the filter element cluster into the filter tank, ensuring that the top collector manifold outlet fits snugly over the outlet elbow's O-ring.

CLEANING THE SEAL RING AND SEAL SURFACE

1. Remove the filter tank seal.
2. Use a clean cloth to wipe the lower filter body seal surface, thoroughly clean it of all dirt and debris (see Fig. 4). Do not use any solvent.
3. Similarly, use a clean cloth to wipe the upper filter body seal surface.

★ NOTE

- Do not use any petroleum-based solvents to clean the filter components.
- Do not lubricate the seal.



⚠ WARNING

BODY AND CLAMP REASSEMBLY

1. Place the metal-reinforced seal on the lower filter body (see Fig. 4). Position the upper filter body on top of the metal-reinforced seal and the lower filter body, ensuring that all operation and safety labels are clearly visible and that the upper filter body is centered on the lower filter body. Press down firmly and evenly on the upper filter body to seat the seal (see Fig. 7).
2. Reattach the filter clamp around both the upper and lower filter bodies. Hold the clamp ends in place to position the clamp, ensuring that the clamp ends align with the safety and operation labels on the filter bodies (see Fig. 7).
3. Insert the clamp bolt through the clamp ends and thread the clamp nut onto the clamp bolt, with the rounded end of the nut facing towards the ends of the clamp (see Fig. 8).
4. Do not rely on hand-tightening the clamp nut to the clamp bolt. Use a 3/4" socket on a torque wrench to tighten the clamp nut to the clamp bolt, applying 150 inch-lbs of torque (see Fig. 9).

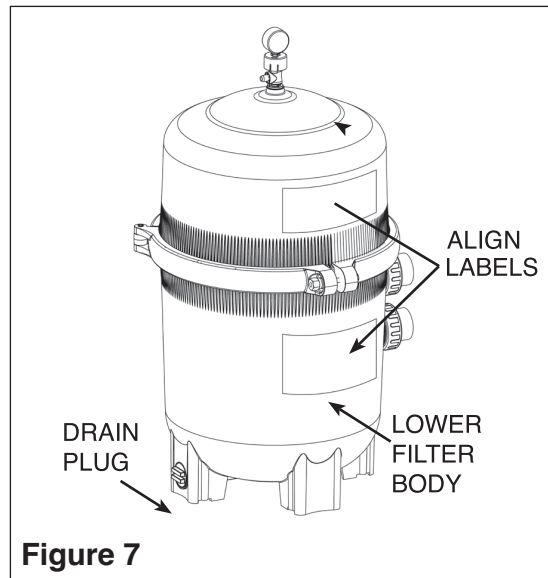


Figure 7

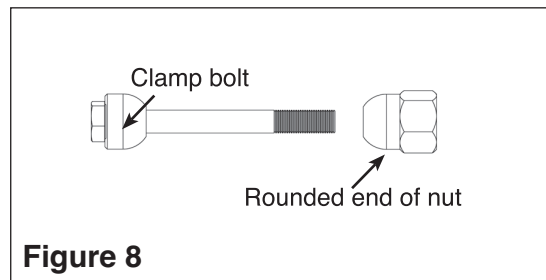


Figure 8

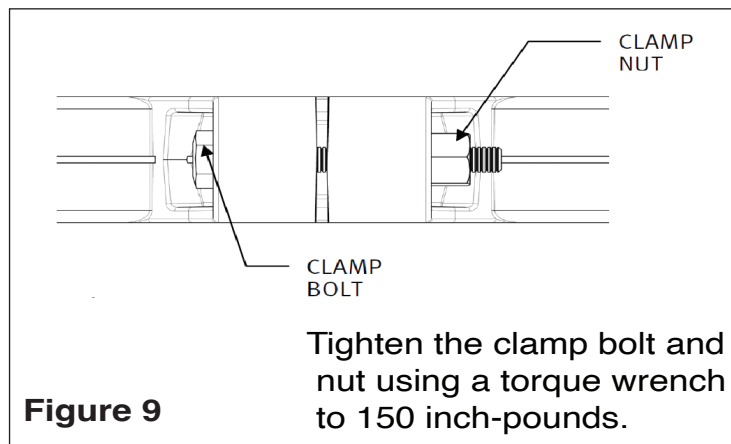


Figure 9

⚠ WARNING

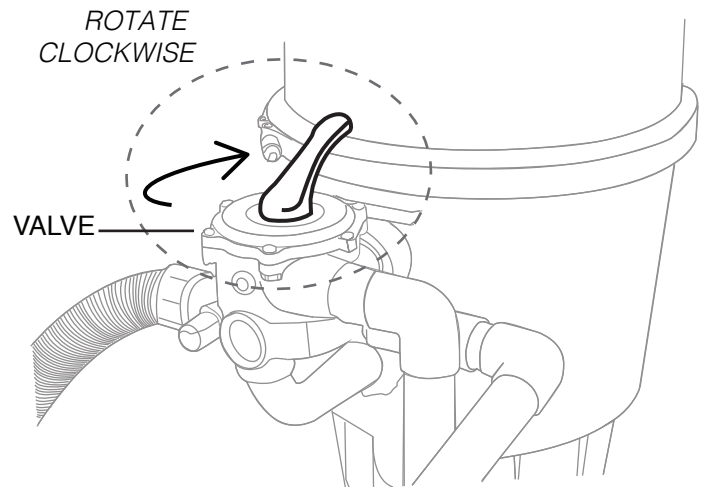
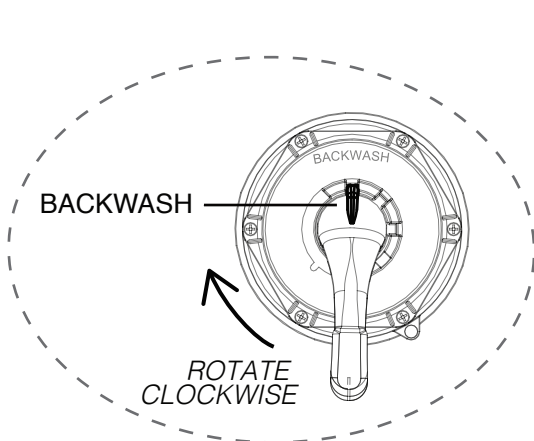
Never hit or strike the clamp with a hammer or metal tools. Follow the operating instructions for 'Starting the Pump and Filter System' (Refer to page 5).

ASSEMBLY

ASSEMBLY INSTRUCTIONS

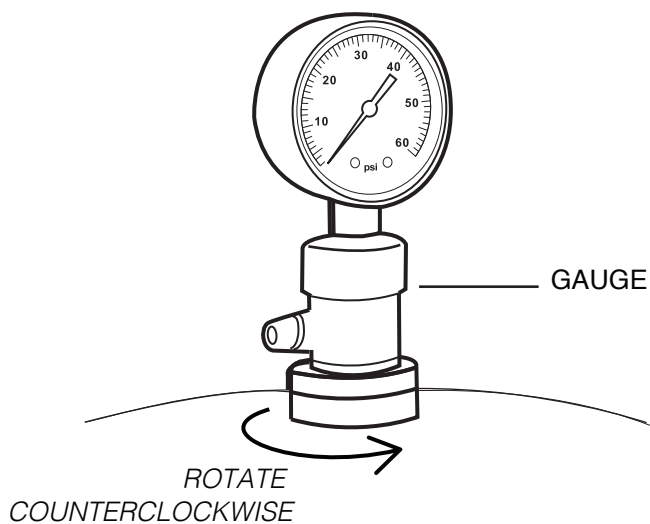
Step 1: Backwash Filter

Perform a backwash to remove old DE and debris, facilitating a cleaner grid change.



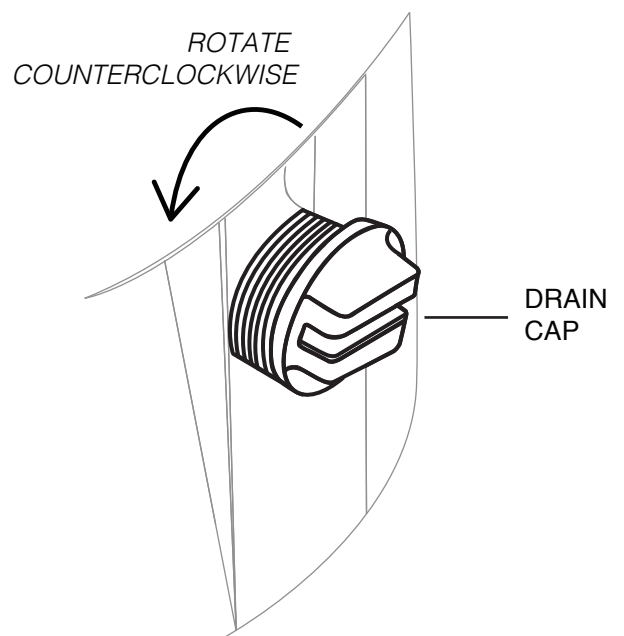
Step 2: Open The Air Relief Valve

Flush out water from filter's tank and plumbing by opening the filter's pressure gauge or valve.



Step 3: Drain Tank

Remove the filter's drain cap for water evacuation.

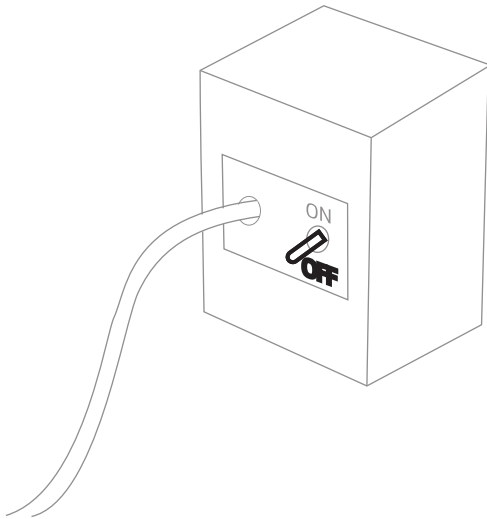


ASSEMBLY

ASSEMBLY INSTRUCTIONS

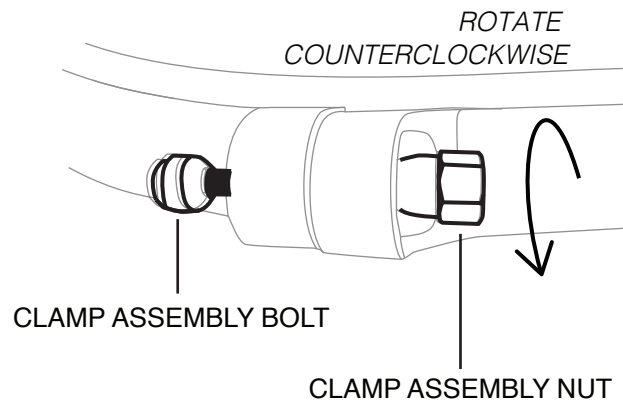
Step 4: Power Shutdown

Ensure all equipment power is disconnected at the breaker.

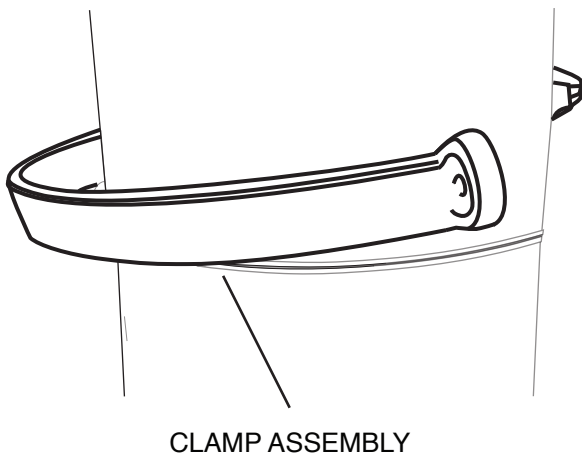


Step 5: Detach The Clamp Assembly

Remove the bolt and nut from the filter's clamp assembly, then remove the entire clamp.

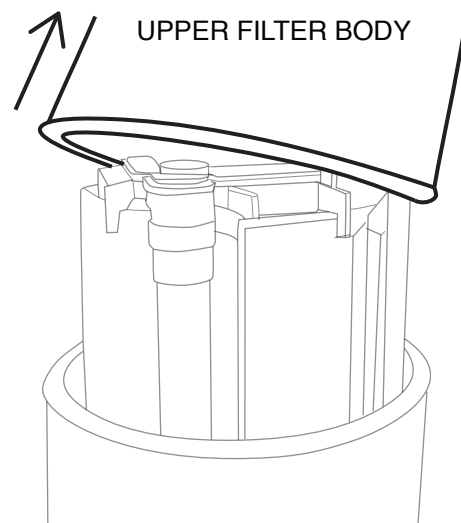


Step 6: Continued From Step 5



Step 7: Lift The Tank Lid

Remove the upper filter body and set it aside for reinstallation later.

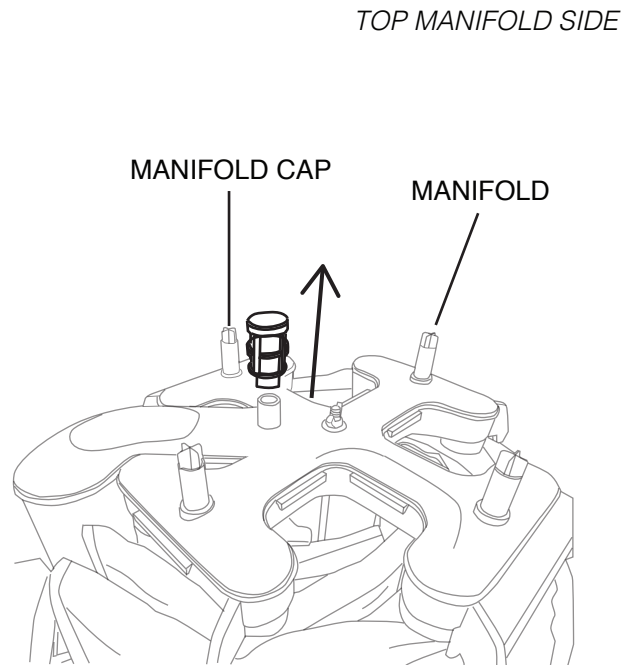
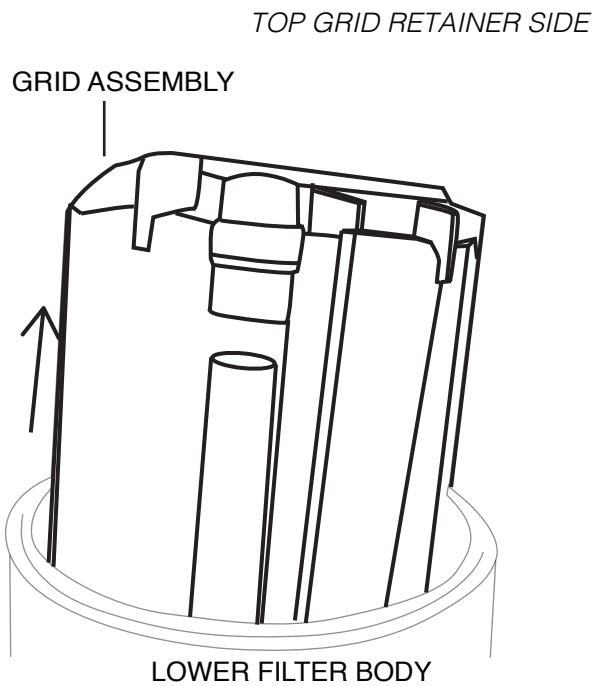


ASSEMBLY

ASSEMBLY INSTRUCTIONS

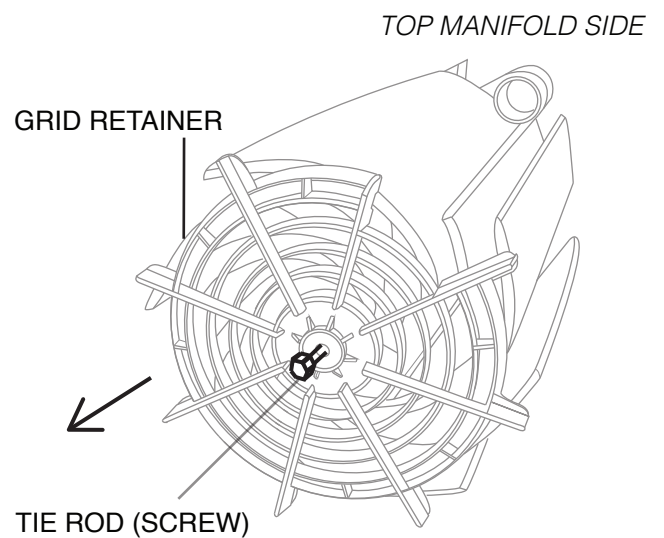
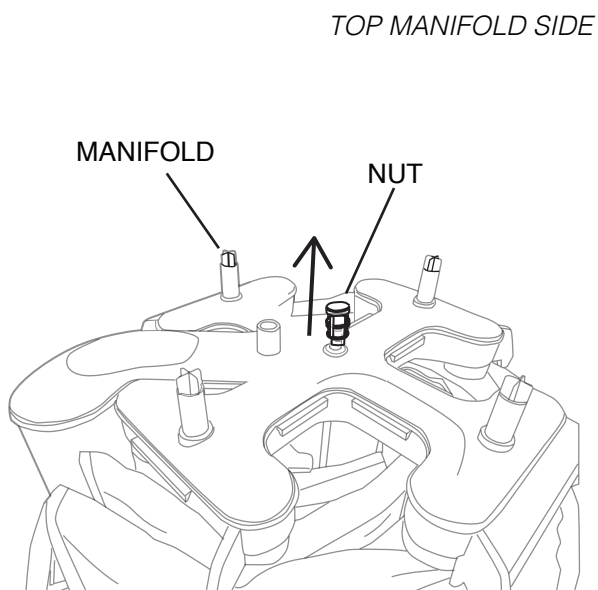
Step 8: Extract Grid Assembly

Lift the grid assembly from the filter's tank. Detach the manifold cap from the top of manifold.



Step 9: Disassemble Grid Assembly

Detach the manifold from the tie rod by unscrewing the securing nut, preparing for individual grid inspection or replacement.



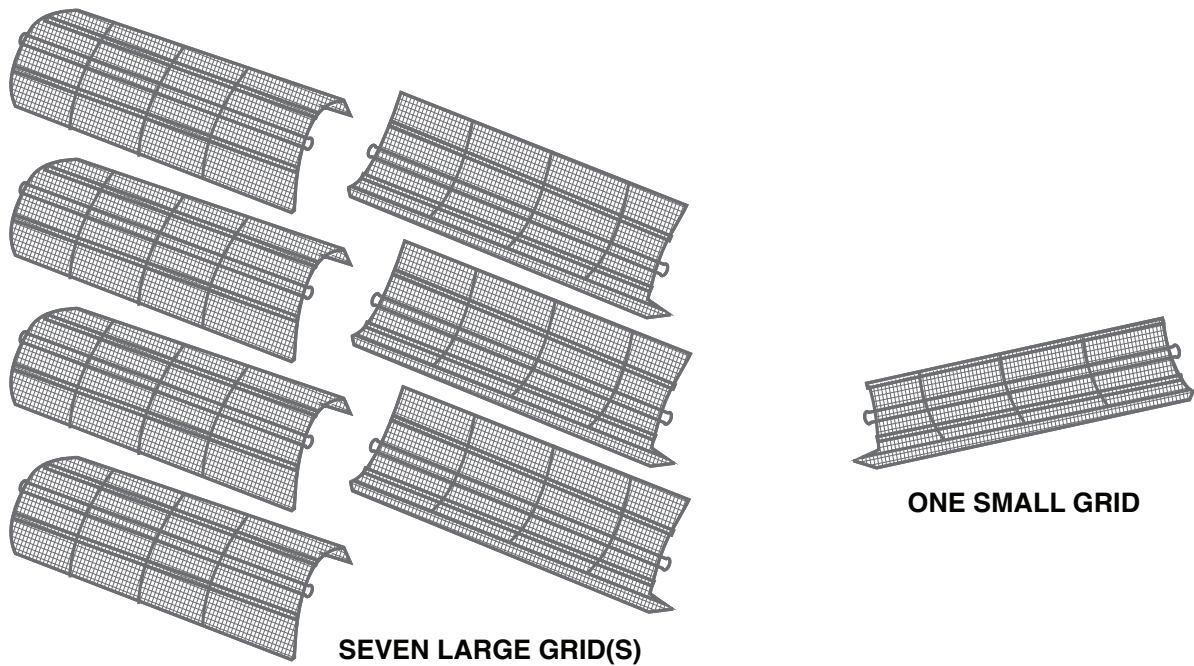
BOTTOM GRID RETAINER SIDE

ASSEMBLY

ASSEMBLY INSTRUCTIONS

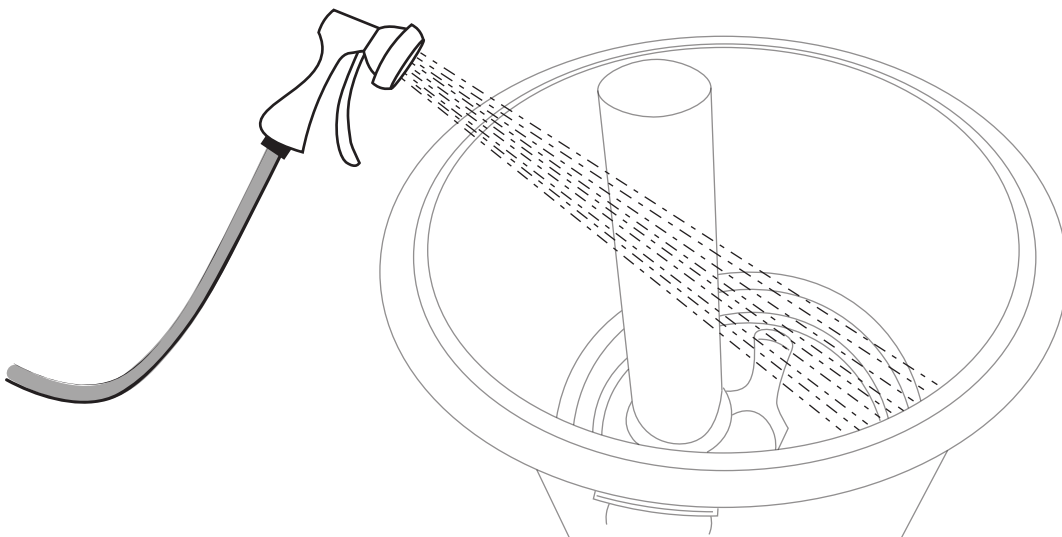
Step 10: Inspect and Select Grids

Evaluate grids for damage, removing only those necessary or replace the entire set as needed.



Step 11: Clean Tank

Wash out any residual DE powder or debris, ensuring the lower filter body and gasket grooves are clean.

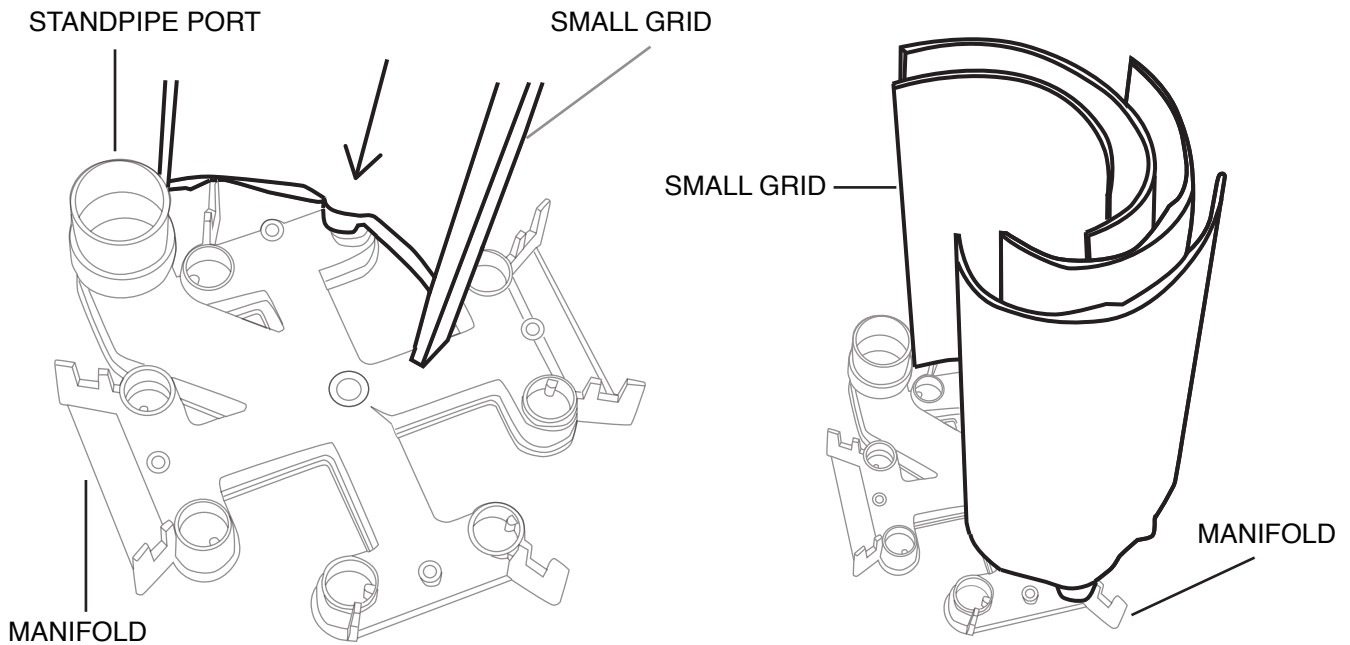


ASSEMBLY

ASSEMBLY INSTRUCTIONS

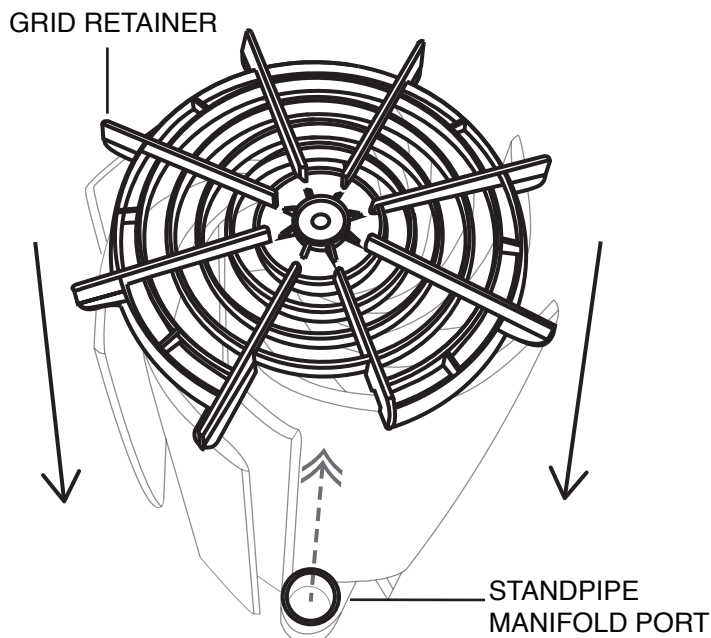
Step 12: Assemble New Grids

Place the manifold on a stable surface, then sequentially install grids into the manifold, starting with the smaller grid at the standpipe port.



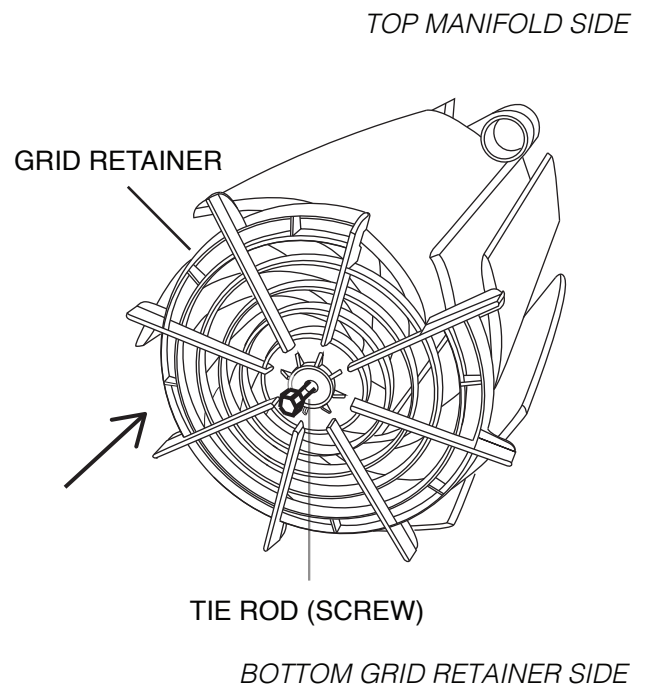
Step 13: Install Grid Retainer

Align the grid retainer and top standpipe manifold port, ensuring correct grid placement.



Step 14: Insert Tie Rod

Insert the tie rod through the retainer and manifold.

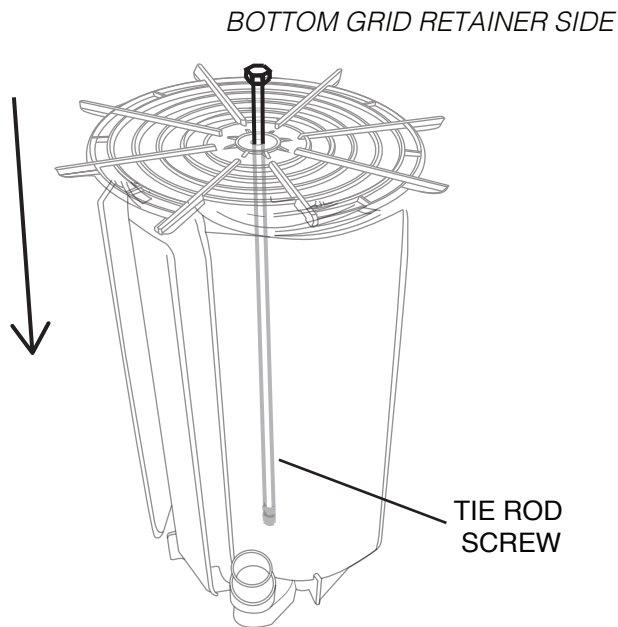


ASSEMBLY

ASSEMBLY INSTRUCTIONS

Step 15: Position The Grid Assembly Upright

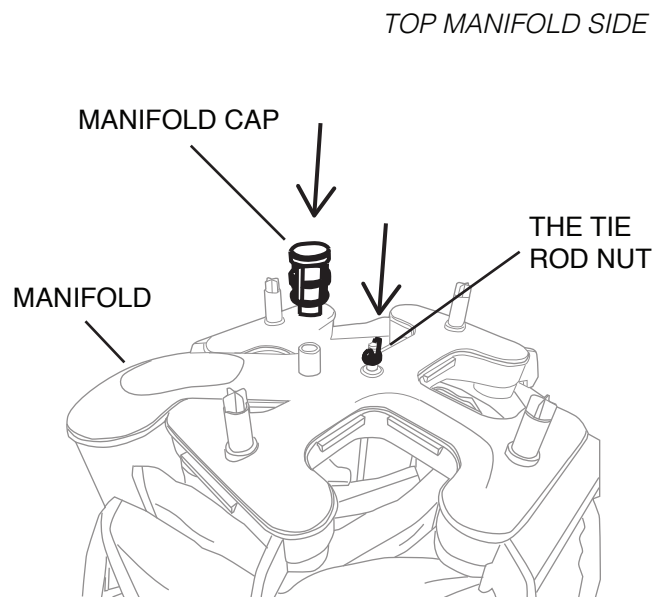
Flip the grid assembly to an upright position, ensuring both the retainer and manifold are held securely.



TOP MANIFOLD SIDE

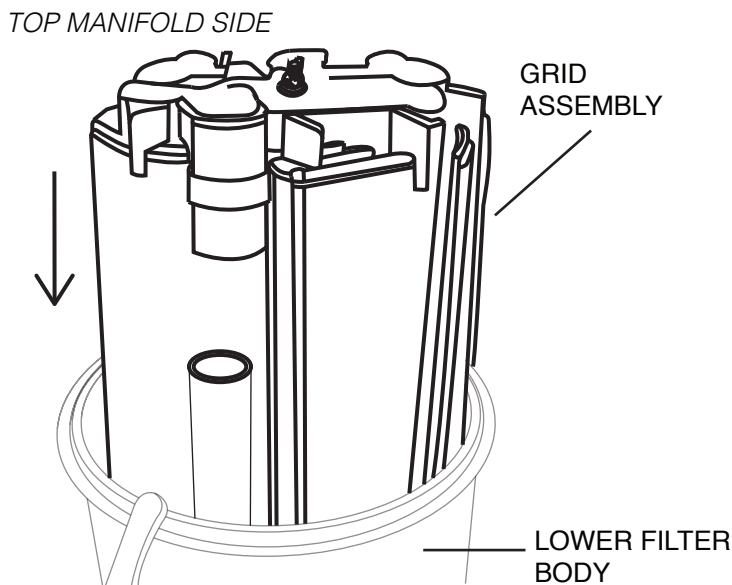
Step 16: Fasten Tie Rod

Attach the tie rod nut to secure the manifold at the assembly's top. Attach the manifold cap to the top of manifold.



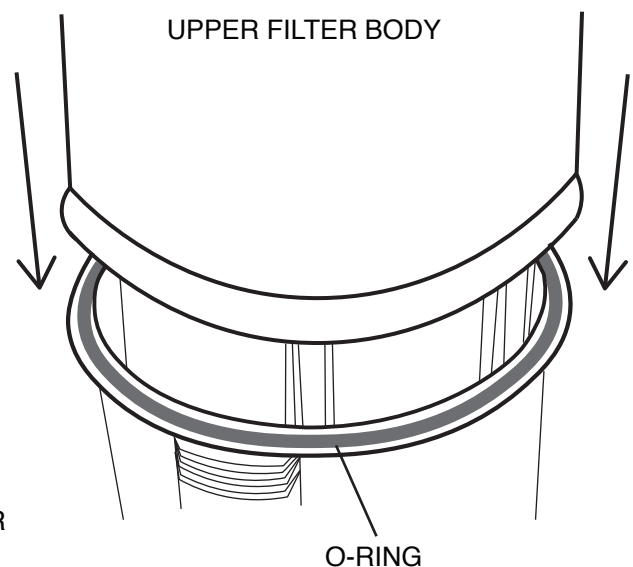
Step 17: Position New Grid Assembly

Align and install the grid assembly within the lower filter body, ensuring proper standpipe alignment, then reassemble the manifold cap onto the top of manifold.



Step 18: Place Tank Lid

Reattach the upper filter body, maintaining the o-ring in its designated groove.

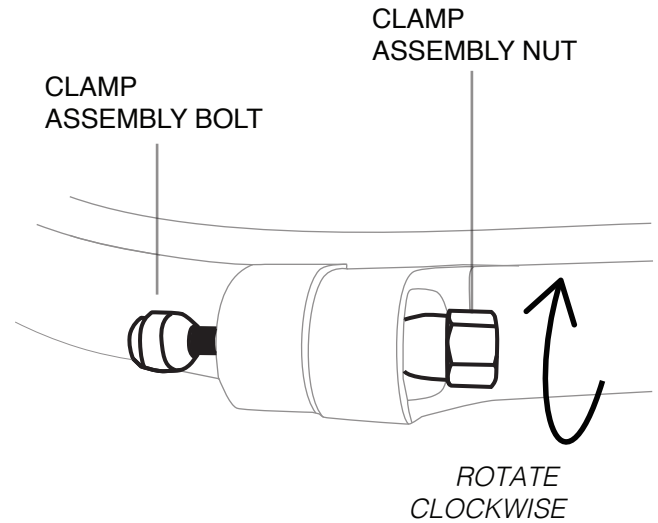
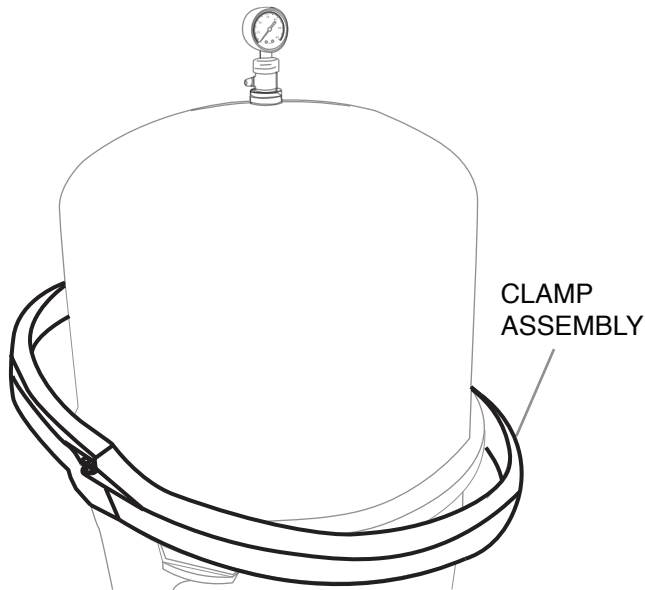


ASSEMBLY

ASSEMBLY INSTRUCTIONS

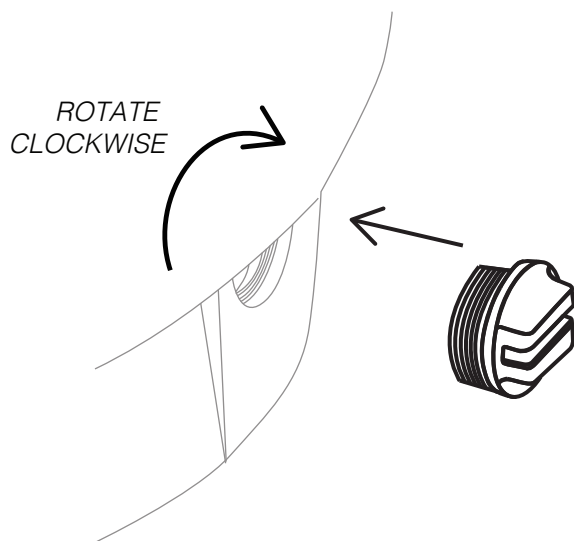
Step 19: Attach The Clamp Assembly

Evenly position the clamp assembly, and securely fasten the bolt and nut.



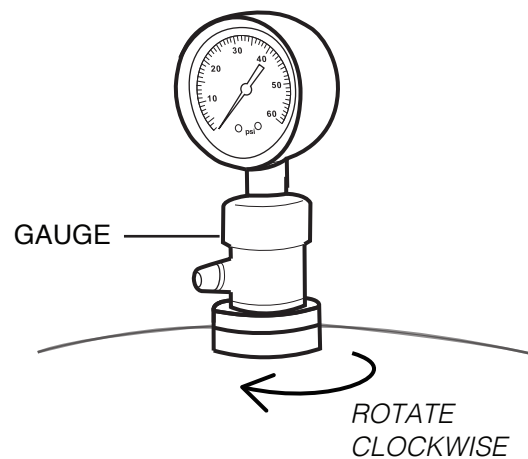
Step 20: Attach The Drain Plug

Secure the filter's drain plug.



Step 21: Leak Testing

Fasten and secure the filter's pressure gauge or valve. Activate the pump for priming, checking for leaks and ensuring proper seal alignment if leaks are present.



VACUUMING POOL

Vacuuming can be performed directly into the filter when necessary. The filter should be backwashed after vacuuming, if required.

REMOVING THE MANUAL AIR RELIEF VALVE

⚠ WARNING



This product must be installed and serviced exclusively by a qualified pool professional.

1. Turn off all system circulation pumps and all electric power on the equipment pad.
2. Set all system valves to a position that prevents water from flowing to the filter.
3. The manual air relief valve (MAR) must be placed in the OPEN position (see Fig. 10).
4. Wait until all water leakage has stopped.
5. The air relief valve can be removed by unscrewing the entire part counterclockwise (see Fig. 10).

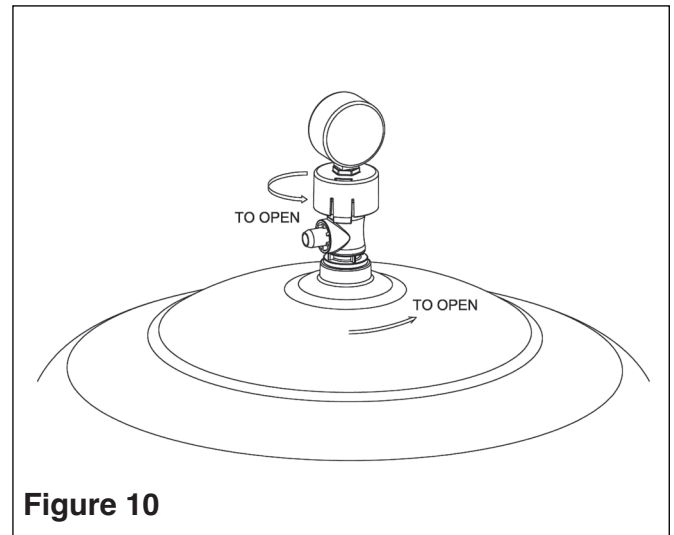


Figure 10

⚠ WARNING

This product should be installed and serviced exclusively by a qualified pool professional.

1. Check the o-ring seals and replace them as needed.
2. With a clean cloth, wipe the upper filter body and o-ring groove removing all dirt and debris.
3. Align the notch in the MAR flange with the notch on the top of the upper filter body.
4. Press the MAR straight down into the upper filter body.
5. Turn the MAR clockwise until the indicator is aligned with the 'LOCK' position on the upper filter body.
6. Verify that the MAR discharge points away from all electrical connections.

WINTERIZING FILTER

⚠ WARNING



⚠ WARNING

Before proceeding with re-assembly, note the following safety guidelines. This product must be installed and serviced exclusively by a qualified pool professional.

⚠ WARNING

In areas where sub-freezing temperatures can be expected, the filter should be drained to protect it from damage.

1. The filter should be disassembled, and the filter elements cleaned or replaced.
2. Follow the directions under **Filter Disassembly Instructions**.
3. Then, follow the **Removing Filter Element Cluster** instructions.
4. Reassemble according to the **Filter Reassembly Instructions**.
5. Be sure to leave the drain plug unattached during the winter season to avoid cracking the filter body.

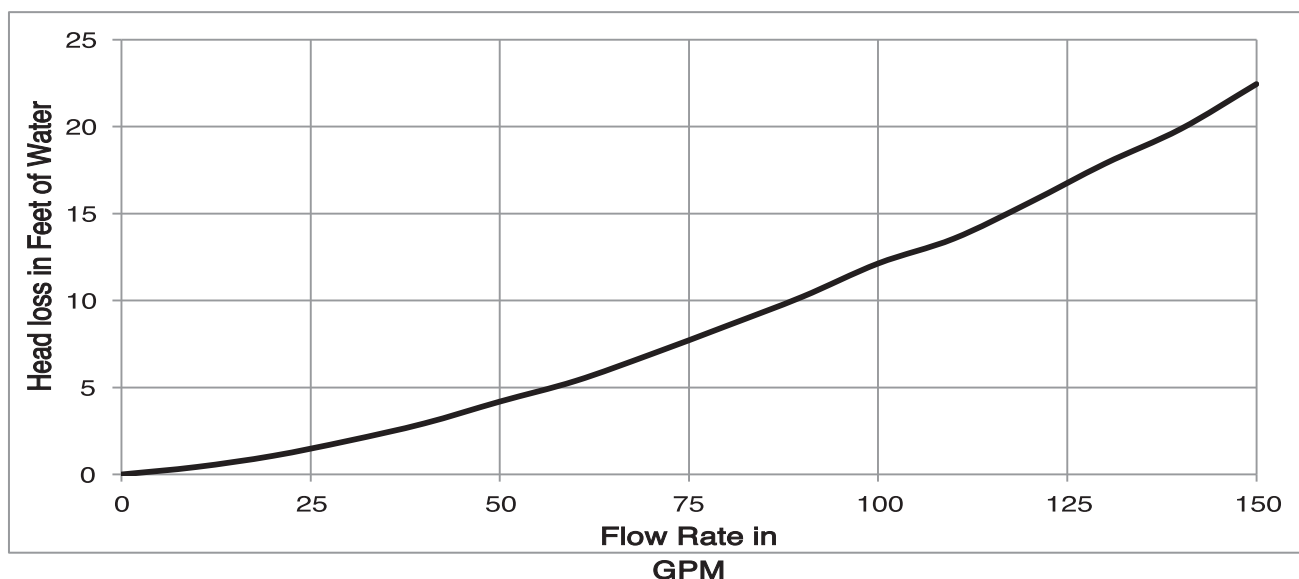
SERVICE AND REPAIRS

SUGGESTED POOL WATER CHEMISTRY	
PH	7.2 To 7.8
TOTAL ALKALINITY	80 To 120 ppm
CALCIUM HARDNESS	200 To 400 ppm
COMBINED CHLORINE	0.2 ppm Maximum
CHLORINE (Stabilized)	1.0 To 3.0 ppm
CHLORINE STABILIZER (Cyanuric Acid)	60 To 80 ppm

TROUBLESHOOTING

REMEDY	LOW WATER FLOW	<ol style="list-style-type: none"> 1. Check the element cluster and pump strainer basket for debris. 2. Check for restrictions in the intake and discharge lines. 3. Check for air leaks in the intake line, indicated by bubbles returning to the pool.
	SHORT FILTER CYCLES	<ol style="list-style-type: none"> 1. Check for algae in the pool and superchlorinate as required. 2. Ensure that chlorine and pH levels are within the proper range (adjust as required)
	POOL WATER WON'T CLEAR UP	<ol style="list-style-type: none"> 1. Check chlorine, pH, and total alkalinity levels, and adjust as required. 2. Ensure the flow rate through the filter is sufficient. 3. Operate the filter for longer periods if necessary.

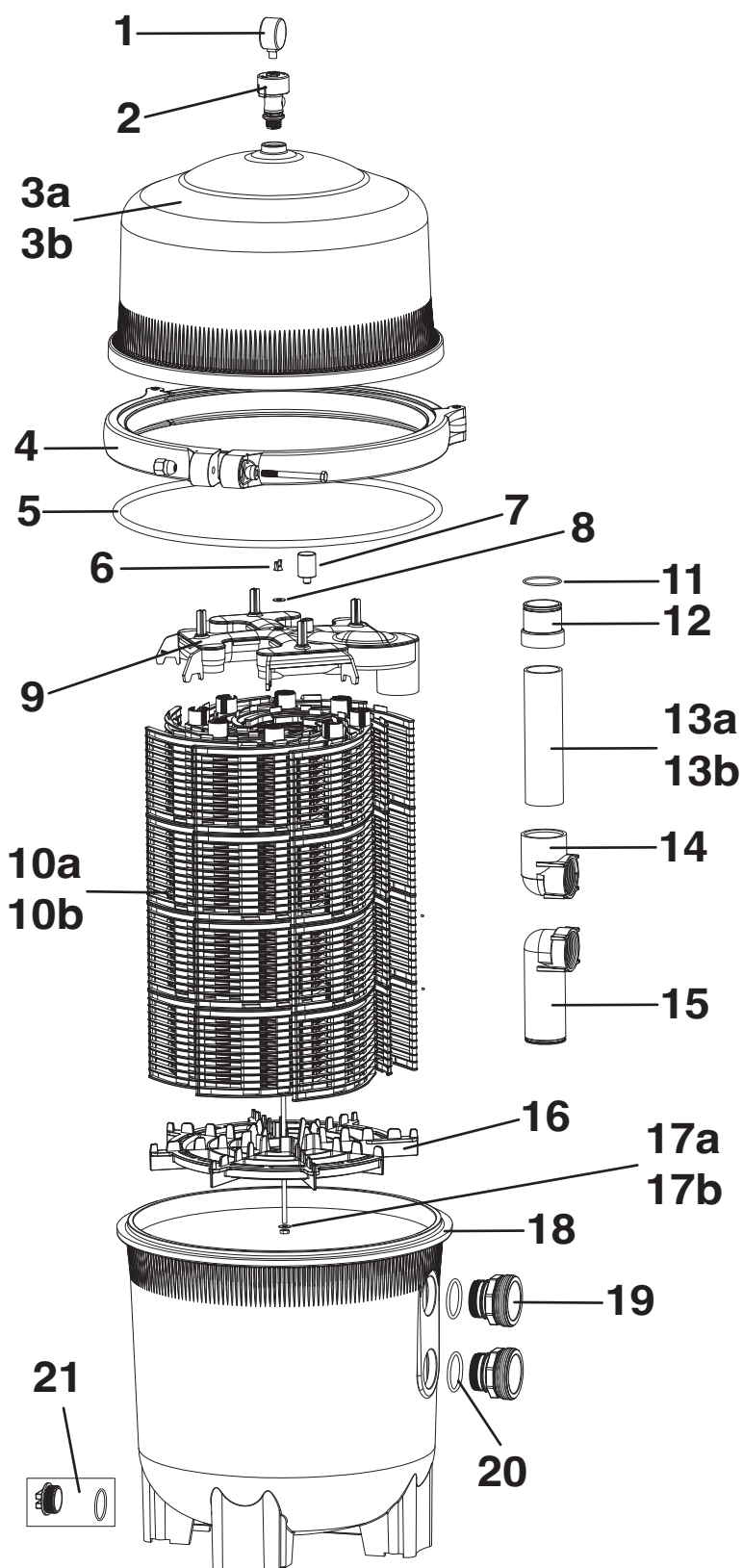
HEAD LOSS



REPLACEMENT PARTS

REPLACEMENT PARTS

PARTS DIAGRAM



ITEM	PARTS NO.	DESCRIPTION	QTY
1	5024015000	PRESSURE GAUGE	1
2	647311973000	MANUAL AIR RELIEF ASSEMBLY	1
3a	47311901080	UPPER FILTER BODY - SKU 75222	1
3b	47311905080	UPPER FILTER BODY - SKU 75221	1
4	647311971000	CLAMP SYSTEM	1
5	5431146080	O-RING	1
6	5233042000	RETAINER NUT	1
7	5758083000	AIR RELIEF FILTER	1
8	5244060000	SEAL	2

ITEM	PARTS NO.	DESCRIPTION	QTY
9	47312512001	TOP COLLECTOR MANIFOLD	1
10a	647312571	FILTER ELEMENT CLUSTER H=608mm - SKU 75222	1
10b	647312572	FILTER ELEMENT CLUSTER H=792mm - SKU 75221	1
11	5431073080	O-RING	1
12	47311913001	ADAPTOR	1
13a	5748122001	PVC PIPE - SKU 75222	1
13b	5748123001	PVC PIPE - SKU 75221	1
14	47311908001	ADAPTOR - SHORT	1
15	47311909001	ADAPTOR - LONG_	1
16	47312507080	FILTER ELEMENT LOCATOR	1
17a	5227065000	SHORT BOLT - SKU 75222	1
17b	5227066000	LONG BOLT - SKU 75221	1
18	47311902080	LOWER FILTER BODY	1
19	47312508080	ADAPTOR PLUG SCREW	2
20	5471147080	O-RING	3
21	91215001	1 1/2" DRAIN PLUG WITH O-RING	1

DISCLAIMER

DISCLAIMER

PLEASE READ THE FOLLOWING CAREFULLY

The manufacturer and/or distributor have provided the parts list and assembly diagram in this manual for reference purposes only. They do not make any representation or warranty to the buyer that they are qualified to make repairs to the product or replace any parts of the product. In fact, the manufacturer and/or distributor expressly state that all repairs and parts replacements should be undertaken by certified and licensed technicians, and not by the buyer.

The buyer assumes all risk and liability arising from their repairs to the original product or replacement parts or arising from their installation of replacement parts. It is strongly advised that qualified professionals handle any repairs or replacements to ensure safety and proper functioning of the product. Improper installation and operation may result in injury, property damage, or voiding of warranty. The manufacturer and/or distributor shall not be held responsible for any accidents, damages, or malfunctions resulting from the buyer's installation and operation of the product. It is essential to follow all safety guidelines and recommendations provided in this manual and to seek professional assistance if unsure about the installation or operation procedures.

CUSTOMER SERVICE

If you have any questions about ordering our pool pumps and replacement parts or pool products, please feel free to contact us using the following contact information:

Customer Service and Technical Support

Phone: (909) 628-0880

Email: customer@xtremepowerusa.com

Hours of Operation: Monday – Friday, 9AM – 4PM (CST)
