



OWNER'S MANUAL

30 IN. STAND FAN

SKU: 92026



OWNER'S MANUAL AND SAFETY INSTRUCTIONS

SAVE THIS MANUAL: KEEP THIS MANUAL FOR SAFETY WARNINGS, PRECAUTIONS, ASSEMBLY, OPERATING, INSPECTION, MAINTENANCE AND CLEANING PROCEDURES. WRITE THE PRODUCT'S SERIAL NUMBER ON THE BACK OF THE MANUAL NEAR THE ASSEMBLY DIAGRAM (OR MONTH AND YEAR OF PURCHASE IF PRODUCT HAS NO NUMBER)

FOR QUESTIONS PLEASE CALL OUR CUSTOMER SUPPORT: 909.628.0880 MON-FRI 9AM TO 3PM PST

SAFETY INFORMATION

WARNING

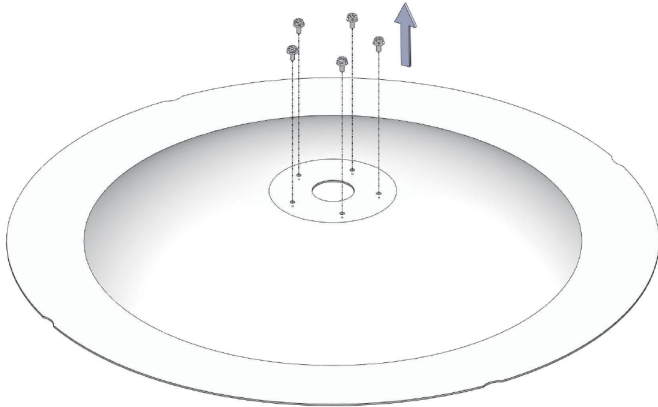
1. Read and save these instructions. Do not operate fan unless you have read these instructions.
2. Unplug the fan before moving it or performing maintenance. Do not touch the fan when your hands are wet.
3. Those who are not qualified electricians should not disassemble, repair or rebuild the fan.
4. Unplug the fan when it is not in use.
5. DO NOT unplug the fan by pulling the cable cord. Unplug by holding the plug and pulling.
6. DO NOT use the fan when there is damage to the cable cord or plug. If the supply cord is damaged, it has to be replaced by the manufacturer, its service agent or similarly qualified persons.
7. DO NOT use the fan with an extension cord.
8. DO NOT use the fan close to fires or flammable material.
9. DO NOT insert your hand or other objects into the grille or the movable parts.
10. To reduce the risk of fire or electric shock, do not use this fan with any solid-state speed control device.
11. DO NOT use this fan outdoors, this fan is designed for indoor use only.

CAUTION

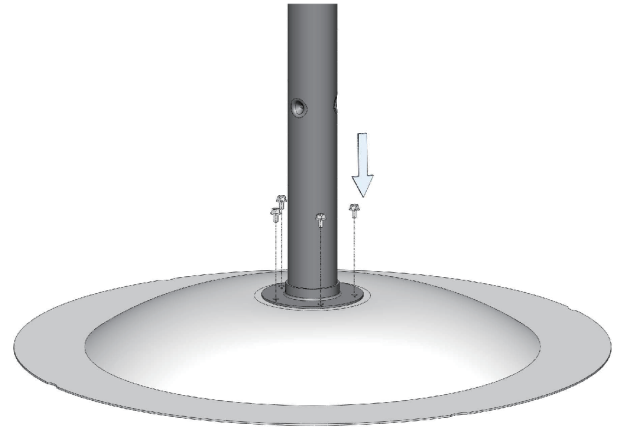
1. Unplug the fan from the socket and clean it with a soft cloth.
2. DO NOT immerse the fan in liquid.
3. Fit the guard onto the fan before starting up the fan.
4. This fan is not intended for use by people (including children) with reduced physical, sensory or mental capabilities or lack of experience and knowledge unless they have been given supervision or instruction concerning use of the fan by a person responsible for their safety. Supervise children to ensure they do not play with the fan.

ASSEMBLY

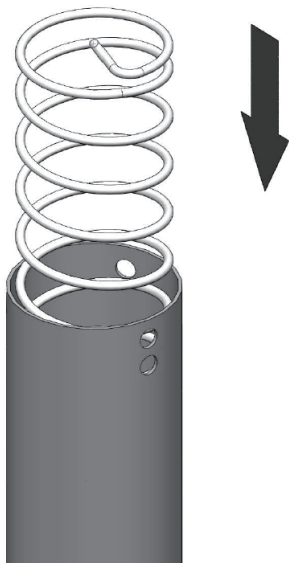
1. Remove the screws from the base. Save them for Step 2.



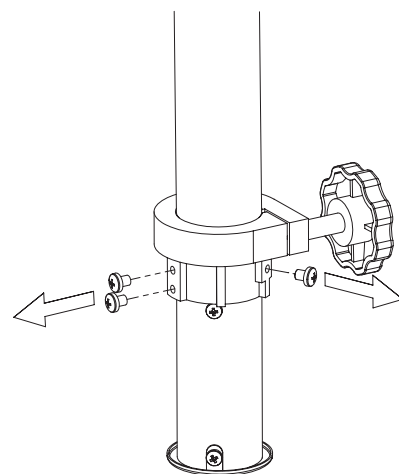
2. Attach support post to base by tightening with the five screws from Step 1.



3. Insert the spring into the support post as shown in the picture.



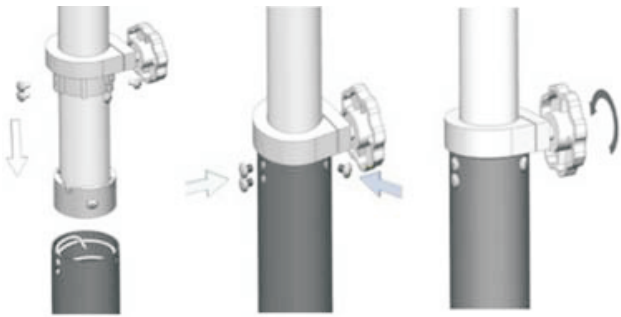
4. Remove three screws on black ring around extension pipe. Save them from Step 5.



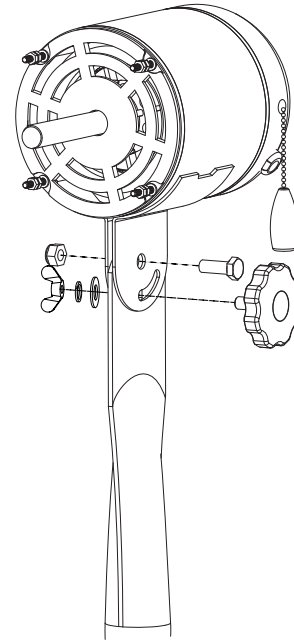
ASSEMBLY

5. Insert extension pipe into support post. Fix black ring onto support by tightening back three screws from Step 4. Adjust extension pipe to your desired height and secure it by tightening back the height adjustment knob.

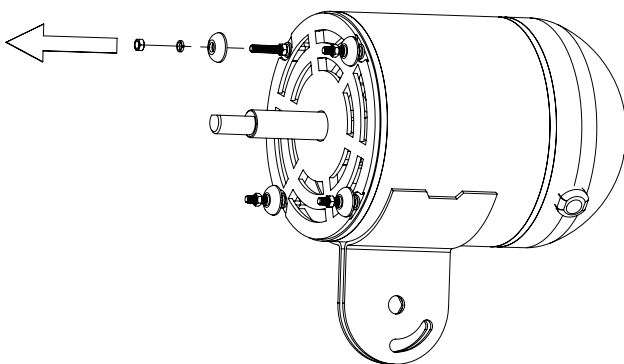
⚠ CAUTION: To avoid injury and prevent from cutting, never put your head over the extension pipe during or before the extension pipe was secured onto the support post tightly.



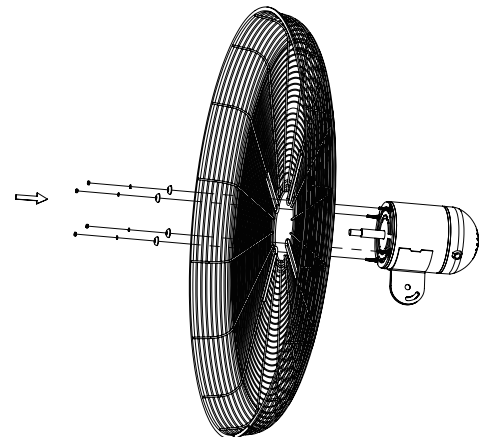
6. Mount fan head onto extension pipe by tightening back the hexagonal bolt, bolt sheath and washer.



7. Remove four sets of hexagonal nuts, spring washers and big washers from fan head. Save them for Step 8.

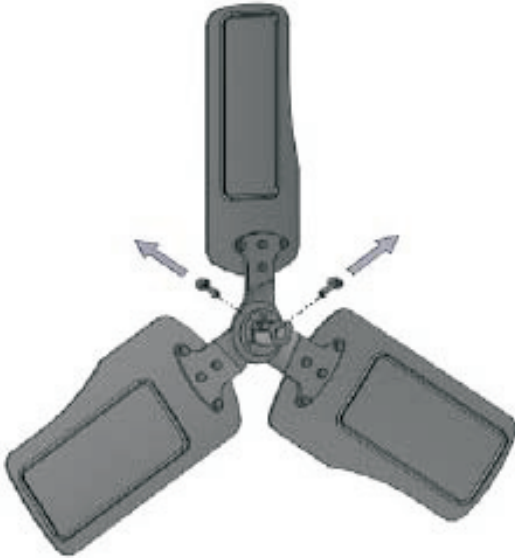


8. Set rear guard in proper position and fix it to fan head by securing back the hexagonal nuts, spring and washers and big washers from Step 7.

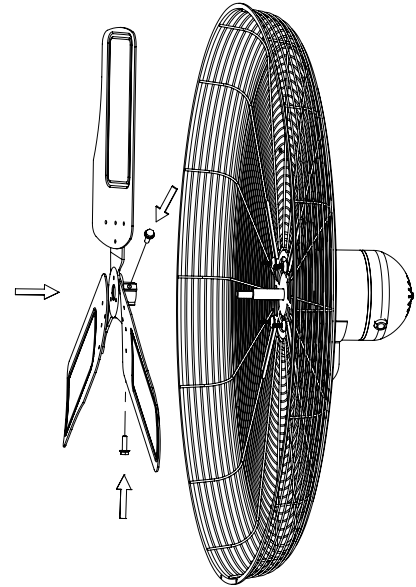


ASSEMBLY

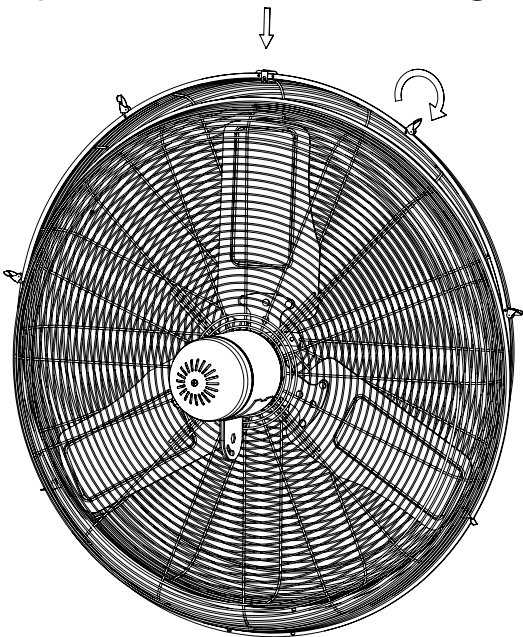
9. Remove two screws from fan blade. Save them for Step 10.



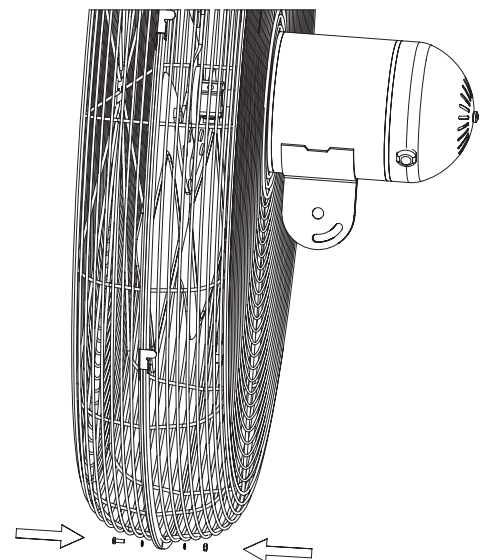
10. Assemble fan blade onto motor shaft by tightening two screws. Make sure each screw is tightly secured.



11. Assemble front guard to rear guard by fixing both guards together with clips on the rim of front guard.

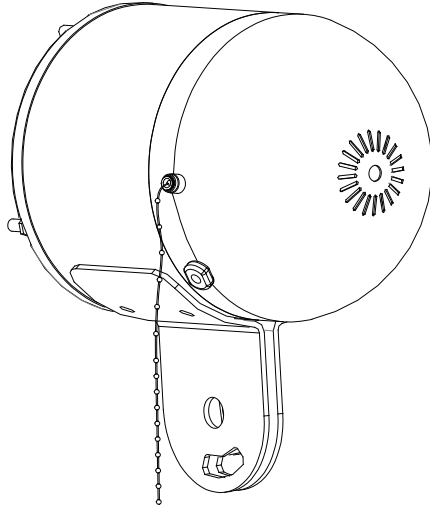


12. Secure the assembly of front guard and rear guard by tightening a screw and nut on the bottom and position of them.



OPERATION

1. Place the fan on a safe, flat surface where it can not fall or be pulled by the cord.
2. Adjust the desired speed by pulling the chain switch (Stop - Low- Medium - High).



CARE AND CLEANING

Unplug the appliance before cleaning. Do not use water for cleaning metal surfaces. Slightly moisten a cloth and wipe off the surfaces of the fan. In order to remove dust from the grill, use a vacuum cleaner or remove the front grill by removing the securing screws on the edge of the grill. After cleaning, remount the grill. After doing this, fasten the screws on the edge of the grill.

OF NOTE

PLEASE READ THE FOLLOWING CAREFULLY

THE MANUFACTURER AND/OR DISTRIBUTOR HAS PROVIDED THE PARTS LIST AND ASSEMBLY DIAGRAM IN THIS MANUAL AS A REFERENCE TOOL ONLY. NEITHER THE MANUFACTURER OR DISTRIBUTOR MAKES ANY REPRESENTATION OR WARRANTY OF ANY KIND OF THE BUYER THAT HE OR SHE IS QUALIFIED TO MAKE ANY REPAIRS TO THE PRODUCT, OR THAT HE OR SHE IS QUALIFIED TO REPLACE ANY PARTS OF THE PRODUCT. IN FACT, THE MANUFACTURER AND/OR DISTRIBUTOR EXPRESSLY STATES THAT ALL REPAIRS AND PARTS REPLACEMENTS SHOULD BE UNDERTAKEN BY CERTIFIED AND LICENSED TECHNICIANS, AND NOT BY THE BUYER. THE BUYER ASSUMES ALL RISK AND LIABILITY ARISING OUT OF HIS OR HER REPAIRS TO THE ORIGINAL PRODUCT OR REPLACEMENT PARTS THERETO, OR ARISING OUT OF HIS OR HER INSTALLATION OF REPLACEMENT PARTS THERETO.

Record Product's Serial Number Here: _____

Note: If product has no serial number, record month and year of purchase instead.

Note: Some parts are listed and shown for illustration purposes only and are not available individually as replacement parts.



SAVE THESE INSTRUCTIONS.

Questions, Problems or Missing Parts?

Before returning to a retailer, our exceptional customer service is available to help.



Call Us: 909.628.0880

Hours of Operation: 9 to 4pm PST, Monday-Friday

Email: customer@xtremepowerusa.com

PRODUCT MADE IN CHINA