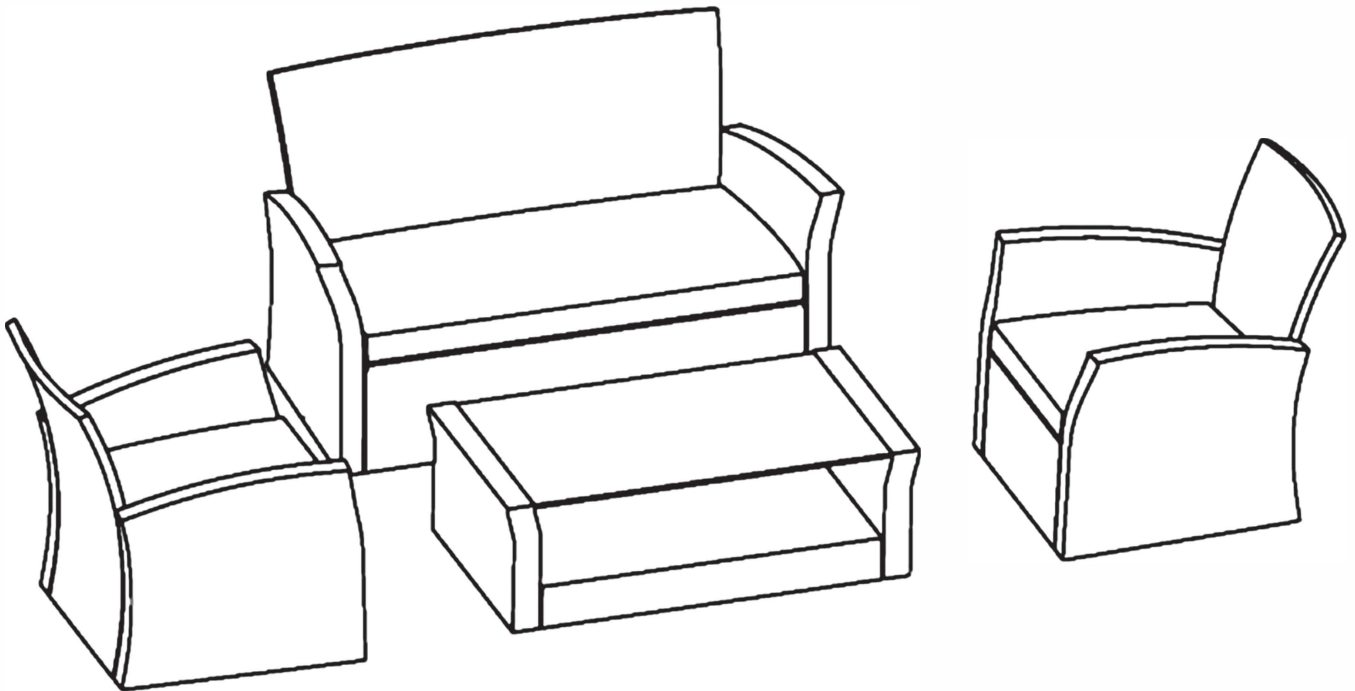


the LifeStyle
Barton
Home Office Patio

PATIO WICKER LOUNGE 4PC SET

ITEM: 93511



OWNER'S MANUAL AND SAFETY INSTRUCTIONS

SAVE THIS MANUAL: KEEP THIS MANUAL FOR SAFETY WARNINGS, PRECAUTIONS, ASSEMBLY, OPERATING, INSPECTION, MAINTENANCE AND CLEANING PROCEDURES. WRITE THE PRODUCT'S SERIAL NUMBER ON THE BACK OF THE MANUAL NEAR THE ASSEMBLY DIAGRAM (OR MONTH AND YEAR OF PURCHASE IF PRODUCT HAS NO NUMBER).

FOR QUESTIONS PLEASE CALL OUR CUSTOMER SUPPORT: (909) 628 0880 MON-FRI 9AM TO 3PM PST



GENERAL SAFETY WARNINGS

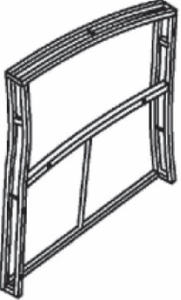

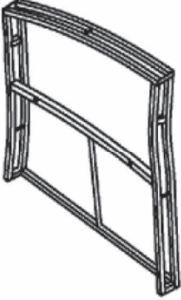
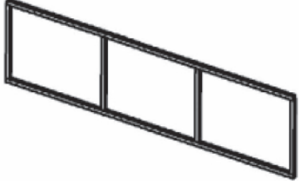
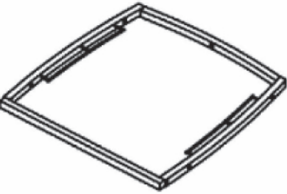
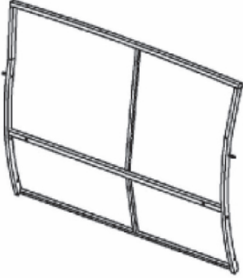
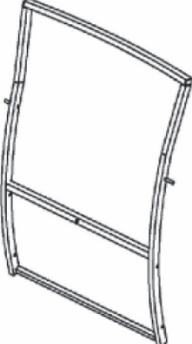
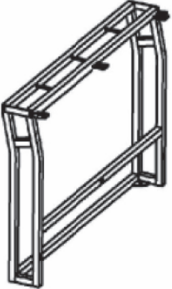
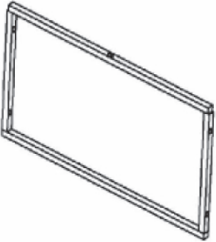
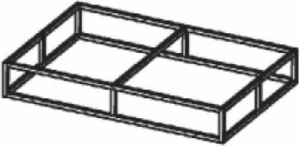
The warnings, precautions, and instructions discussed in this instruction manual cannot cover all possible conditions and situations that may occur. It must be understood by the operator that common sense and caution are factors which cannot be built into this product, but must be supplied by the operator. Read carefully and understand all instructions before operating. Failure to follow the safety rules and other basic safety precautions may result in serious personal injury.

- Please keep away from sources of extreme heat and naked flames.
- Please read through this manual before beginning assembly.
- Two adults for assembly is recommended.
- Clear out space for assembly and lay out all parts based on the parts list, extra room will allow you to easily determine if all the pieces are present.
- Save all packing materials until assembly is complete to avoid accidentally discarding smaller parts or hardware.
- Keep small parts and pieces away from children.
- Use on sturdy, flat and even surfaces only.
- Improper use of this product or failure to use as directed may result in injury.
- Ensure that all bolts are securely tightened before use. It is recommended to re-check all nuts and bolts occasionally and re-tighten as necessary.












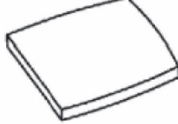
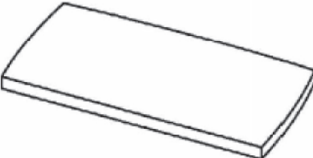
SAVE THESE INSTRUCTIONS.

PARTS LIST AND HARDWARE

PART	PICTURE	QTY	PART	PICTURE	QTY
A		3	F		1
B		3	G		1
C		2	H		1
D		2	I		2
E		2	J		1

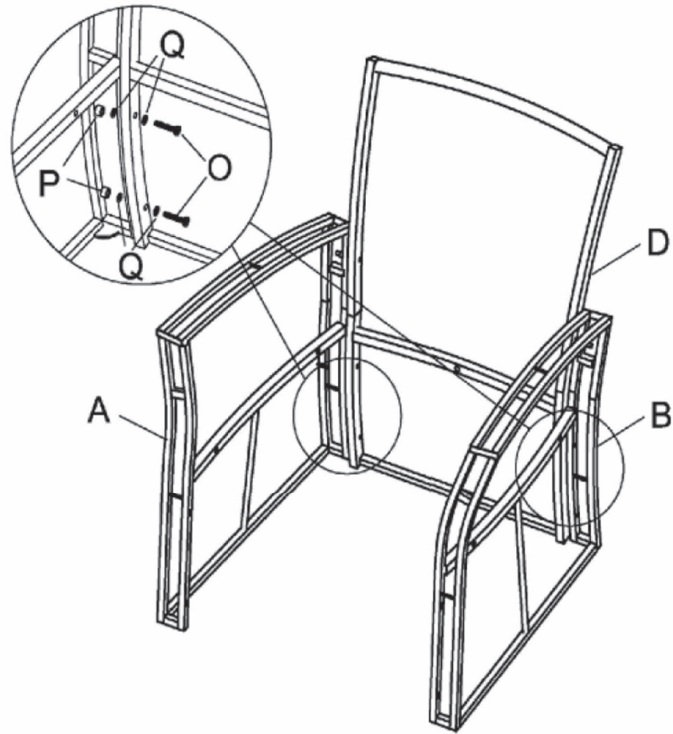
PARTS LIST AND HARDWARE

PART	PICTURE	QTY
K		1
L	 M6*43	18
M	 M6*55	12
N	 M6*35	8
O	 M6*50	12

PART	PICTURE	QTY
P		42
Q		92
R		2
S		2
T	 45/49.5x54x5 cm	2
U	 103/108x54x5 cm	1

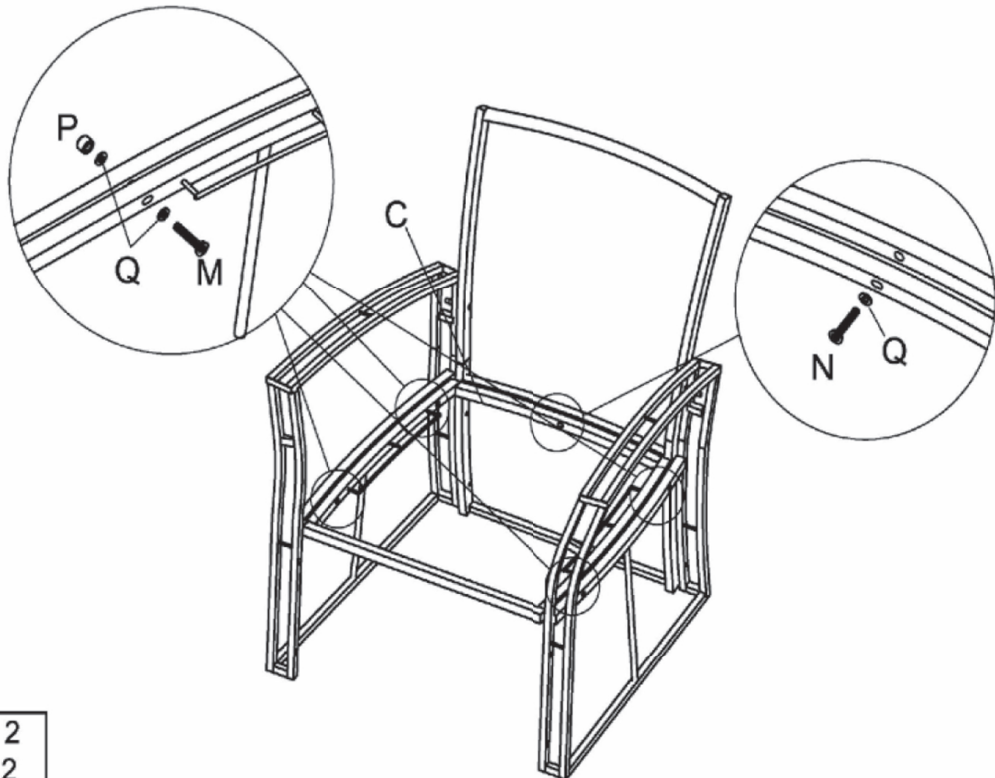
CHAIR ASSEMBLY

1



O = 4 x 2
P = 4 x 2
Q = 8 x 2

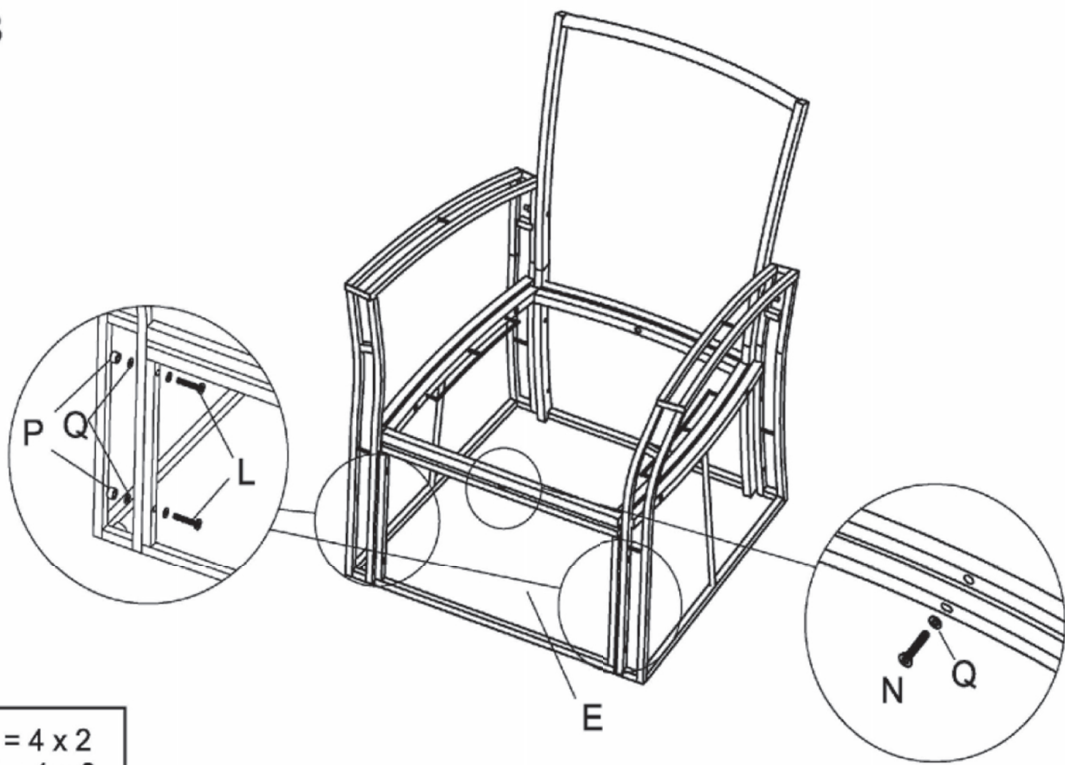
2



M = 4 x 2
N = 1 x 2
P = 4 x 2
Q = 9 x 2

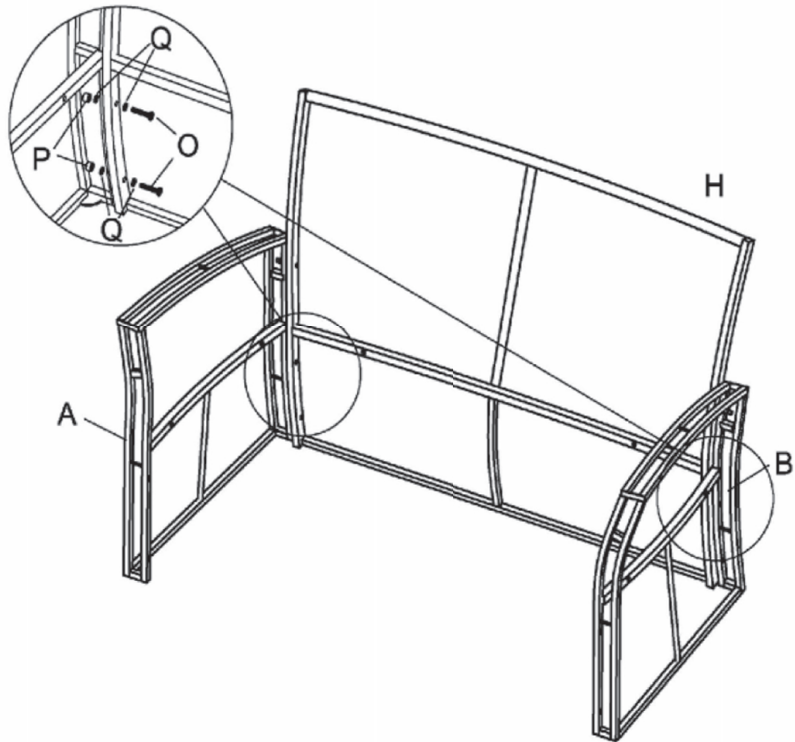
CHAIR / BENCH ASSEMBLY

3



- L = 4 x 2
- N = 1 x 2
- P = 4 x 2
- Q = 9 x 2

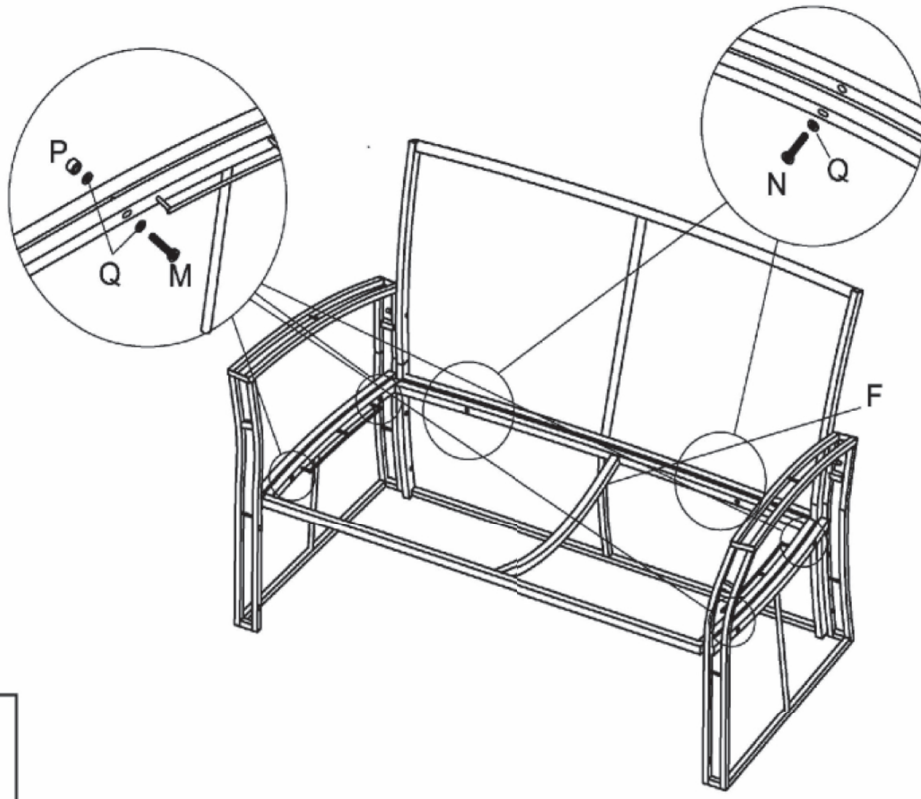
4



- O = 4 x 1
- P = 4 x 1
- Q = 8 x 1

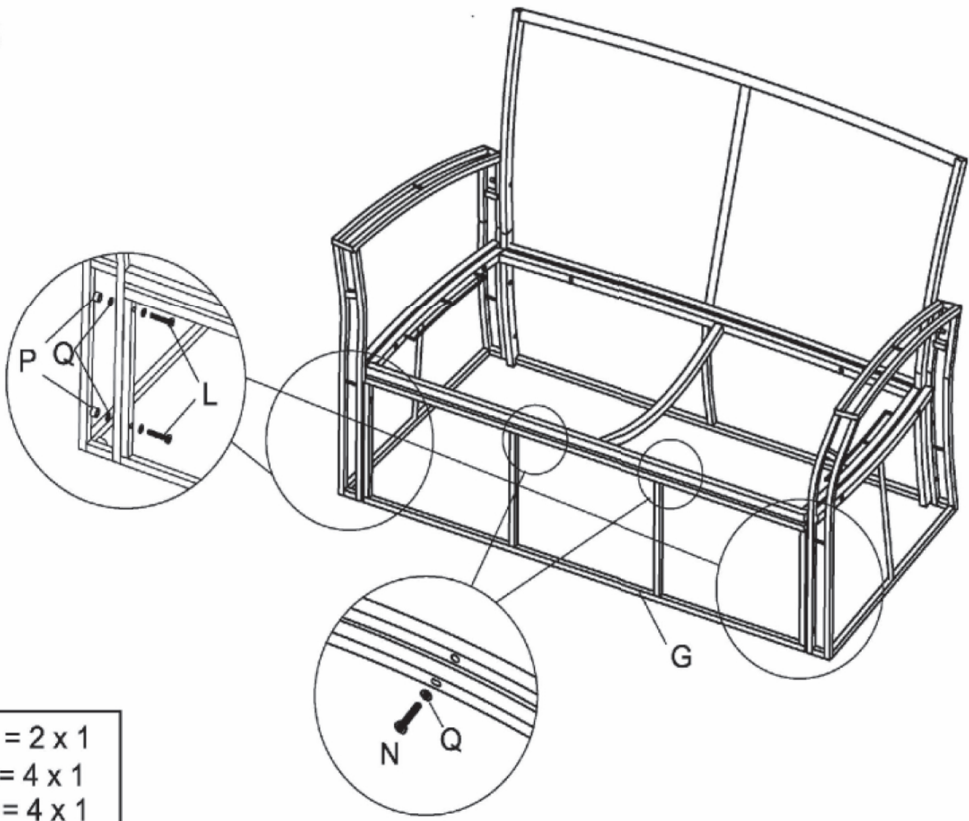
BENCH ASSEMBLY

5



- M = 4 x 1
- N = 2 x 1
- P = 4 x 1
- Q = 10 x 1

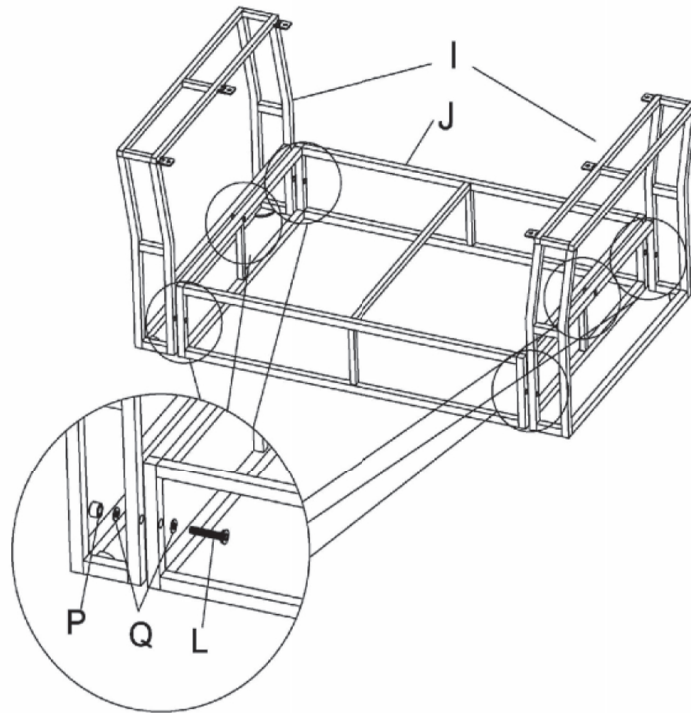
6



- N = 2 x 1
- L = 4 x 1
- P = 4 x 1
- Q = 10 x 1

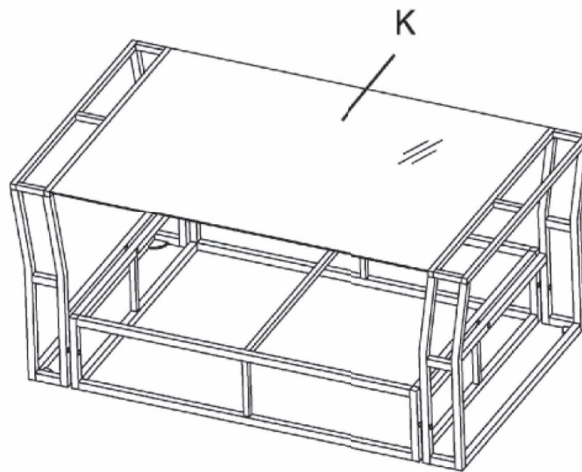
TABLE ASSEMBLY

7



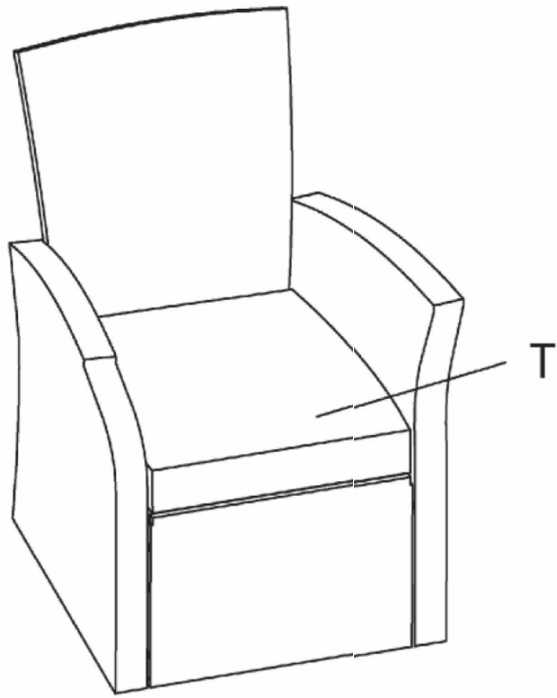
L = 6 x 1
P = 6 x 1
Q = 12 x 1

8



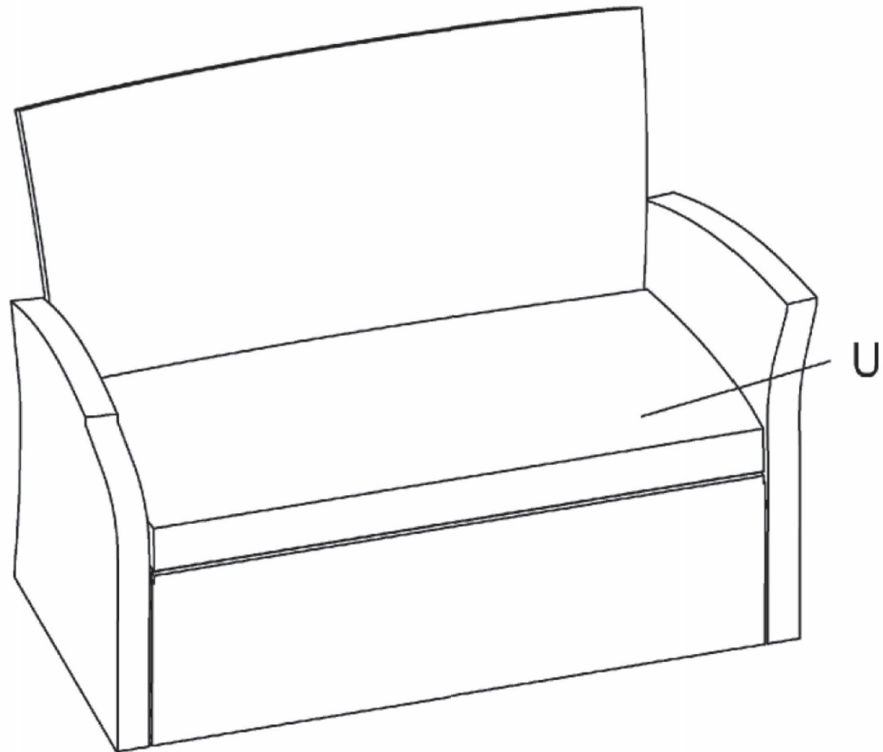
CHAIR ASSEMBLY

9



T=1x2

10



U=1x1

OF NOTE

PLEASE READ THE FOLLOWING CAREFULLY

THE MANUFACTURER AND/OR DISTRIBUTOR HAS PROVIDED THE PARTS LIST AND ASSEMBLY DIAGRAM IN THIS MANUAL AS A REFERENCE TOOL ONLY. NEITHER THE MANUFACTURER OR DISTRIBUTOR MAKES ANY REPRESENTATION OR WARRANTY OF ANY KIND TO THE BUYER THAT HE OR SHE IS QUALIFIED TO MAKE ANY REPAIRS TO THE PRODUCT, OR THAT HE OR SHE IS QUALIFIED TO REPLACE ANY PARTS OF THE PRODUCT. IN FACT, THE MANUFACTURER AND/OR DISTRIBUTOR EXPRESSLY STATES THAT ALL REPAIRS AND PARTS REPLACEMENTS SHOULD BE UNDERTAKEN BY CERTIFIED AND LICENSED TECHNICIANS, AND NOT BY THE BUYER. THE BUYER ASSUMES ALL RISK AND LIABILITY ARISING OUT OF HIS OR HER REPAIRS TO THE ORIGINAL PRODUCT OR REPLACEMENT PARTS THERETO, OR ARISING OUT OF HIS OR HER INSTALLATION OF REPLACEMENT PARTS THERETO.

Record Product's Serial Number Here: _____

Note: If product has no serial number, record month and year of purchase instead.

Note: Some parts are listed and shown for illustration purposes only and are not available individually as replacement parts.

Questions, problems, missing parts?



Before returning to your retailer, our exceptional customer service is here to help.

Call Us: 909.628.0880

Email Us: customer@bartonliving.com

Hours of Operation: 9am - 4pm (Monday - Friday)

PRODUCT MADE IN CHINA