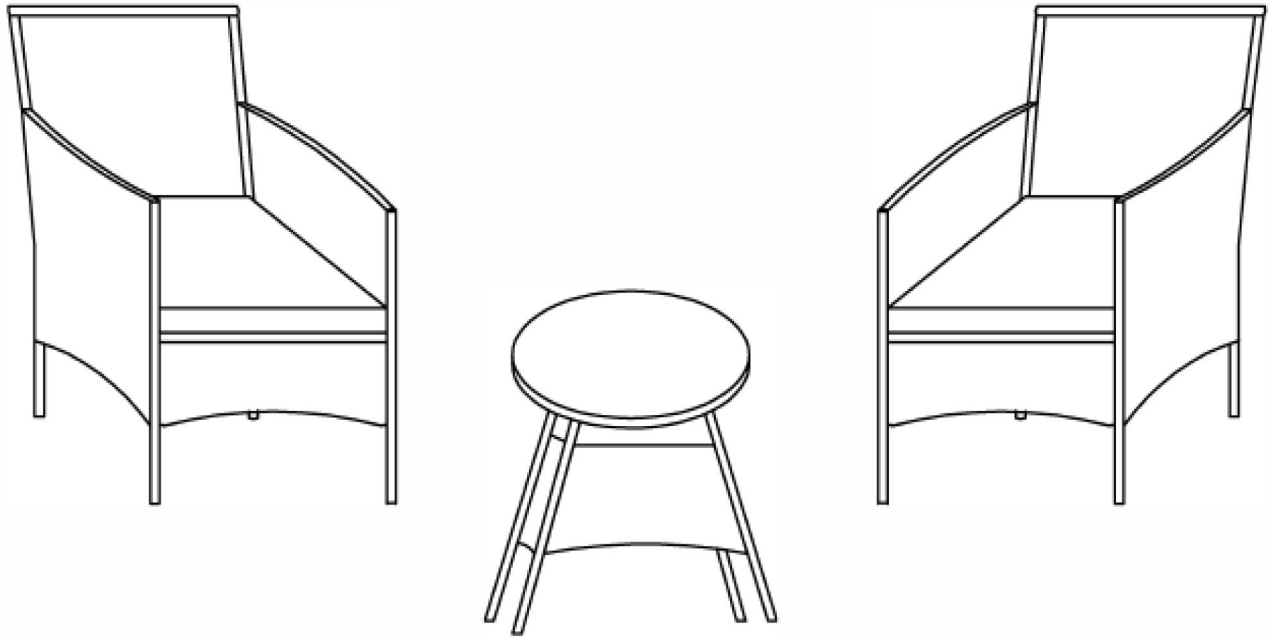


the LifeStyle  
*Barton*  
Home                  Office                  Patio

**3PC BISTRO PATIO SET**

**ITEM # 93519**

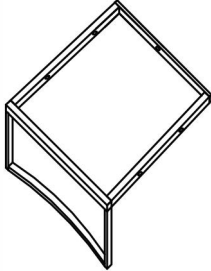
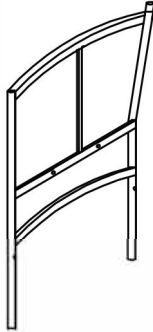
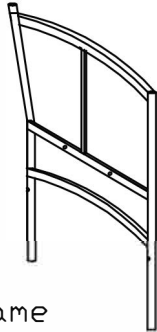
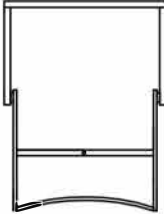
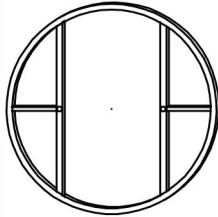
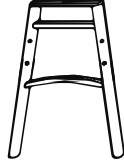
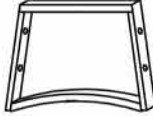
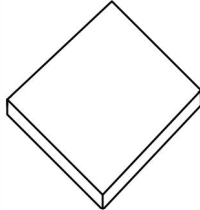







**OWNER'S MANUAL AND SAFETY INSTRUCTIONS**

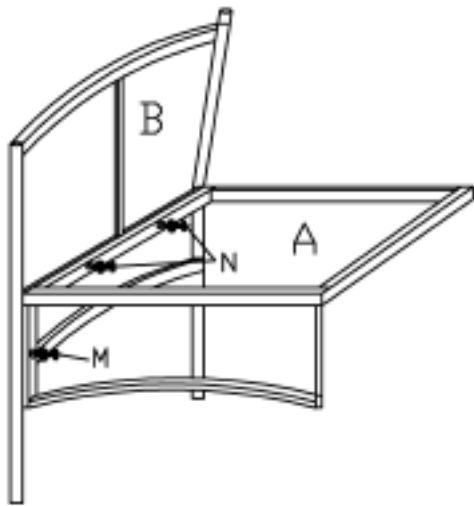
**SAVE THIS MANUAL. KEEP THIS MANUAL FOR SAFETY WARNINGS, PRECAUTIONS, ASSEMBLY, OPERATION, INSPECTION, MAINTENANCE AND CLEANING PROCEDURES. WRITE THE PRODUCT'S SERIAL NUMBER ON THE BACK OF THE MANUAL, OR THE MONTH AND YEAR OF PURCHASE IF PRODUCT HAS NO SERIAL NUMBER**

**FOR QUESTIONS, PLEASE CALL CUSTOMER SERVICE: 909.628.4900**

# PARTS LIST AND HARDWARE

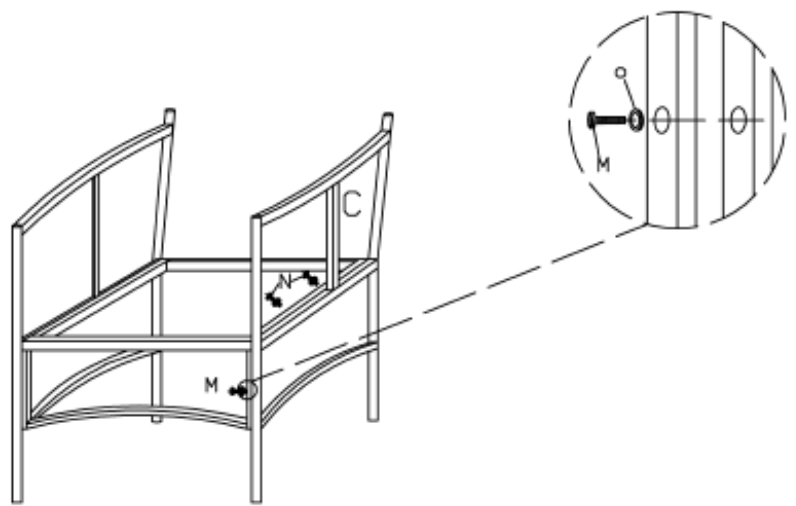
<p>Ax2</p>  <p>Seat Frame</p>	<p>Bx2</p>  <p>Left Frame</p>	<p>Cx2</p>  <p>Right Frame</p>
<p>Dx2</p>  <p>Back Frame</p>	<p>Ex1</p>  <p>Toptable Frame</p>	<p>Fx2</p>  <p>Table Leg Frame</p>
<p>Gx2</p>  <p>Table Side Frame</p>	<p>Hx2</p>  <p>Seat Cushion</p>	<p>Jx2</p>  <p>Bolt M6x20</p>
<p>Mx18</p>  <p>Bolt M6x30</p>	<p>Nx8</p>  <p>Bolt M6x40</p>	<p>Ox28</p>  <p>Washer 16x8x1</p>
<p>Px1</p>  <p>Allen Key</p>		

# ASSEMBLY



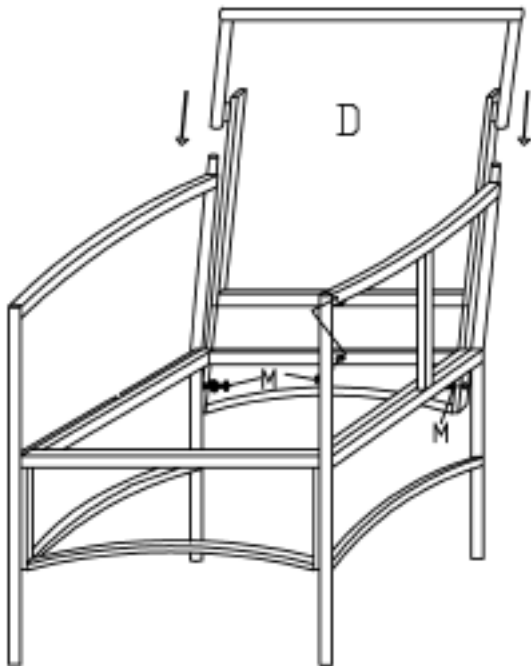
## STEP 1:

Connect left frame **B** and seat frame **A** with bolt **N** and secure with the allen key.



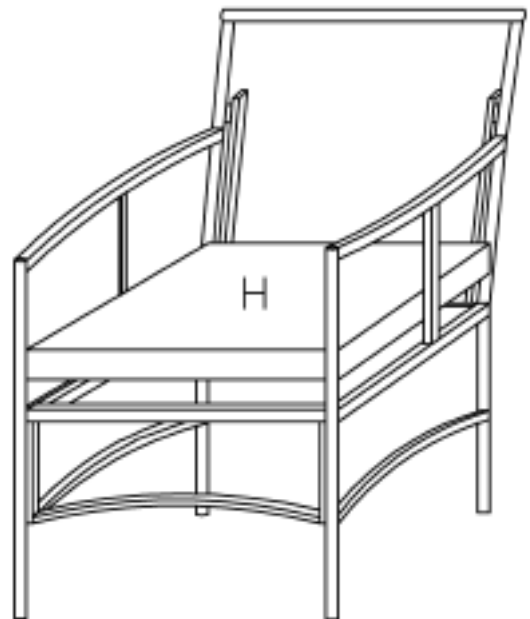
## STEP 2:

Connect the parts from step 1 to the right frame **C** with bolt **N** and secure it with an allen wrench.



## STEP 3:

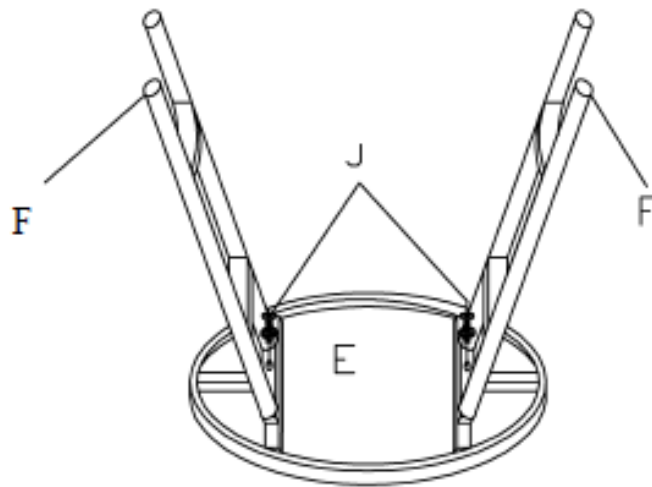
Connect the parts from step 2 and back frame **D** with bolt **N** with an allen key.



## STEP 4:

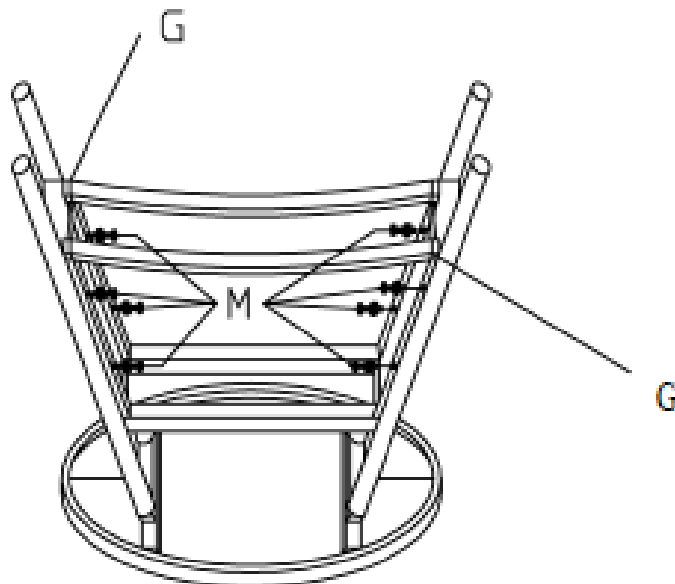
Put on the seat cushion **J** to finish assembly of the chair.

# ASSEMBLY



## STEP 5:

Connect table leg from **F** and tabletop frame **E** with bolt **J** and washer. Tighten with Allen wrench.



## STEP 6:

Connect the part from step 5 on to the table side frame **G** with tool M8 washer and tighten with allen key

## PLEASE READ THE FOLLOWING CAREFULLY

THE MANUFACTURER AND/OR DISTRIBUTOR HAS PROVIDED THE PARTS LIST AND ASSEMBLY DIAGRAM IN THIS MANUAL AS A REFERENCE TOOL ONLY. NEITHER THE MANUFACTURER OR DISTRIBUTOR MAKES ANY REPRESENTATION OR WARRANTY OF ANY KIND TO THE BUYER THAT HE OR SHE IS QUALIFIED TO MAKE ANY REPAIRS TO THE PRODUCT, OR THAT HE OR SHE IS QUALIFIED TO REPLACE ANY PARTS OF THE PRODUCT. IN FACT, THE MANUFACTURER AND/OR DISTRIBUTOR EXPRESSLY STATES THAT ALL REPAIRS AND PARTS REPLACEMENTS SHOULD BE UNDERTAKEN BY CERTIFIED AND LICENSED TECHNICIANS, AND NOT BY THE BUYER. THE BUYER ASSUMES ALL RISK AND LIABILITY ARISING OUT OF HIS OR HER REPAIRS TO THE ORIGINAL PRODUCT OR REPLACEMENT PARTS THERETO, OR ARISING OUT OF HIS OR HER INSTALLATION OF REPLACEMENT PARTS THERETO.

**Record Product's Serial Number Here:** \_\_\_\_\_

**Note: If product has no serial number, record month and year of purchase instead.**

**Note: Some parts are listed and shown for illustration purposes only and are not available individually as replacement parts.**

The material in this manual is for informational purposes only. The product(s) it describes are subject to change without prior notice, due to the manufacturer's continuous development program. Barton makes no representations or warranties with respect to this manual or with respect to the products described herein. Barton shall not be liable for any damages, losses, costs or expenses, direct, indirect or incidental, consequential or special, arising out of, or related to the use of this material or the products described herein.

### Questions, issues or missing parts?

Before returning to your retailer, our customer service team is here to help.



Call Us: 909.628.0880

Email Us: [customer@bartonliving.com](mailto:customer@bartonliving.com)

Hours of Operation: 9am - 3pm PST Monday - Friday

**MADE IN VIETNAM**