



# 1500W CAST IRON STANDING FIREPLACE

ITEM: 95153



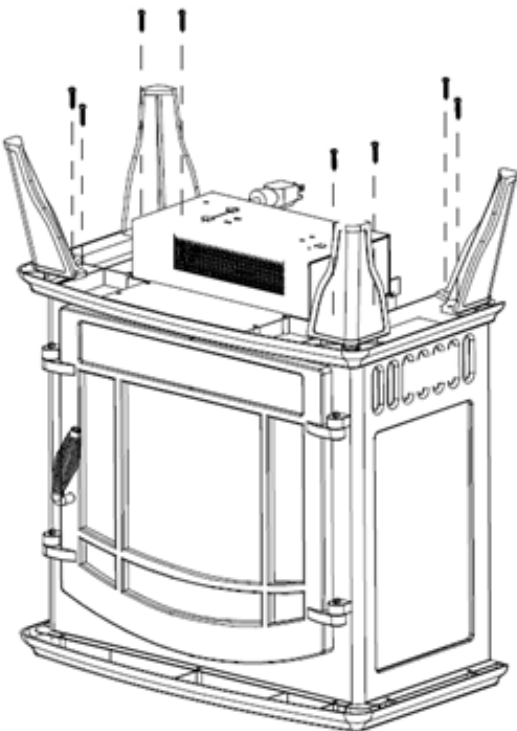
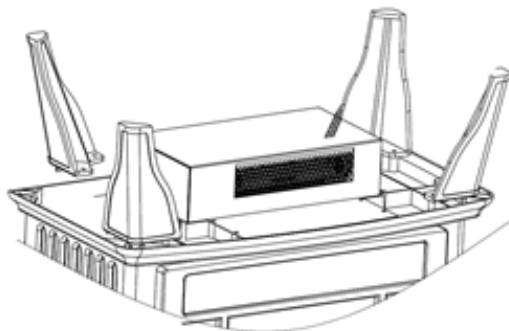
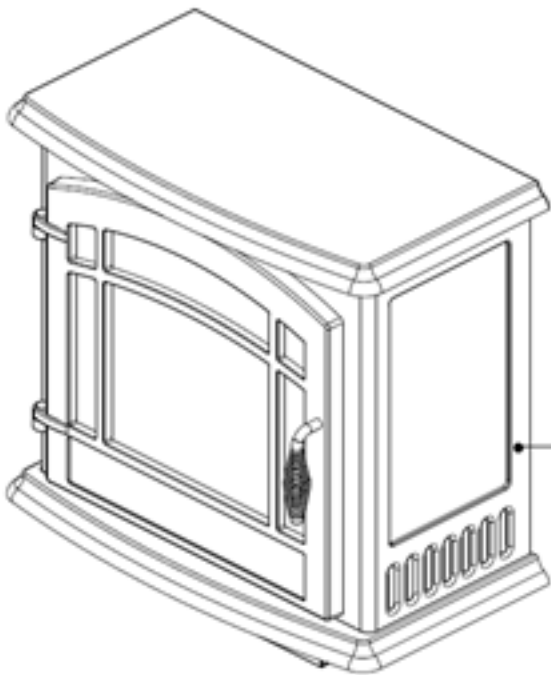
## OWNER'S MANUAL AND SAFETY INSTRUCTIONS

SAVE THIS MANUAL: KEEP THIS MANUAL FOR SAFETY WARNINGS, PRECAUTIONS, ASSEMBLY, OPERATING, INSPECTION, MAINTENANCE AND CLEANING PROCEDURES. WRITE THE PRODUCT'S SERIAL NUMBER ON THE BACK OF THE MANUAL NEAR THE ASSEMBLY DIAGRAM (OR MONTH AND YEAR OF PURCHASE IF PRODUCT HAS NO NUMBER).

FOR QUESTIONS PLEASE CALL OUR CUSTOMER SUPPORT: (909) 628 0880 MON-FRI 9AM TO 3PM PST

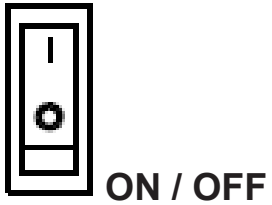
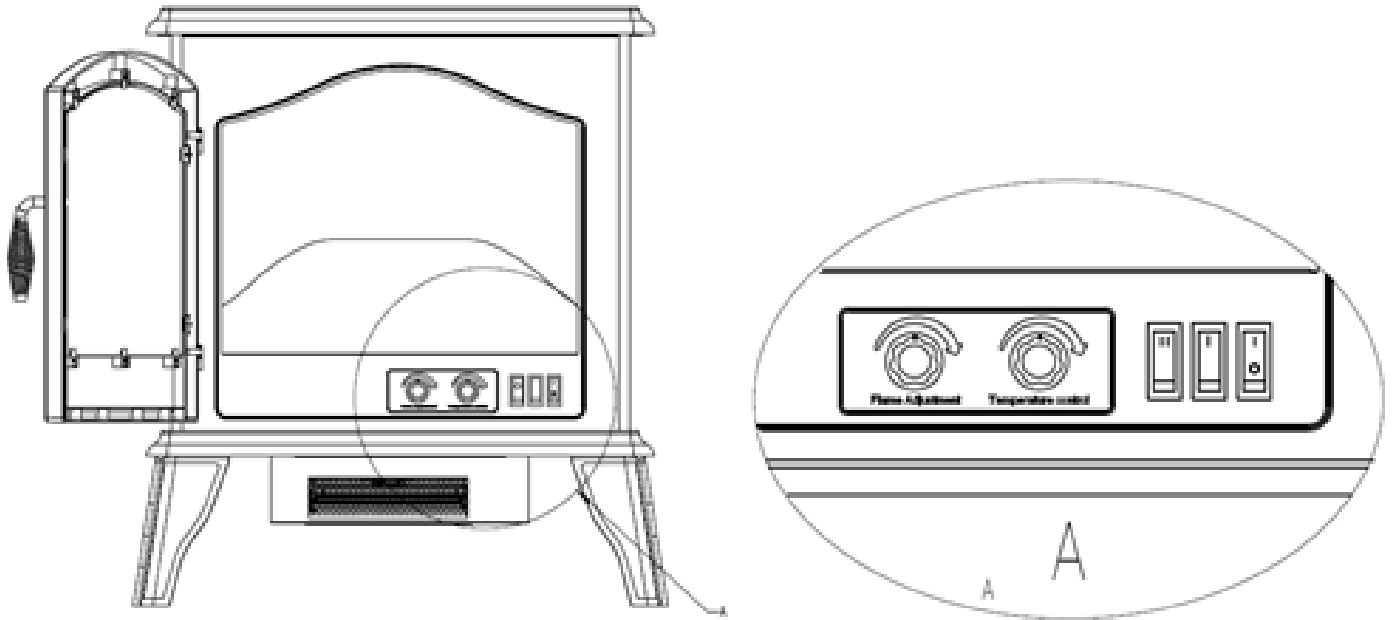
# PARTS LIST

- Before operating this unit, please read these instructions completely and save them for the future use.
- This appliance is not intended for use by persons ( including children ) with reduced physical, sensory or mental capabilities, or lack of experience and knowledge, unless they have been given supervision or instruction concerning use of the appliance by a person responsible for their safety.
- Children should be supervised to ensure that they do not play with the appliance.
- In order to avoid any danger, the cable must be changed by the special person from manufacture, maintain department or relative department if the cable there is any broken.

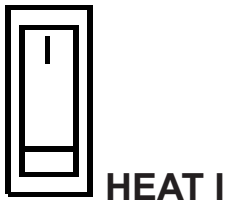


Insert the leg buckles into the holes located on the base of the stove. Fasten the legs using the screws ( 1 screw per leg ) and tighten with a Phillips head screwdriver, as followed picture.

# OPERATION



The power switch supplies power to all of the functions of the fireplace and will illuminate the flame effect. This switch must be lit for any of the functions to work.



**LOW:** Turning on this button will set the heater at 750W.



**HIGH:** Turning on this button will set the heater at 1500W.

## WARNINGS AND CAUTIONS

**WARNING:** To avoid electrical shock not open the back panel of the insert unless the Power has been turned off. And the insert has been unplugged.

**WARNING:** Any electrical repairs to this electric fireplace. Should only be performed by a qualified technician.

**WARNING:** Any electrical wiring repairs should only be performed by a qualified Technician. And also must comply with local buildings codes.

**WARNING:** Discontinue use of this electric fireplace if any of the follow has occurred: Water Damage: If insert has been or dented. If power cord has Become broken. If power cord becomes hot to touch, if unit smokes or Smells like smoke.

**NOTE:** When the heat functions is used for the first time. A slight odor may be present. This is normal and should be occur again unless heater is not used for extended periods of time and dust is allowed to accumulate on heater element.

## Technical Specification

**Supply:** 120V-60Hz

**Rated Power:** 1500W

## Safety Cut-Off

- This appliance is fitted with a safety cut-off which will operate if the fire overheats (e.g. due to blocked air vents) .For safety reasons, the fire will NOT automatically reset.
- To reset the appliance, disconnect the appliance from the mains supply for at least 15 minutes. Reconnect the supply to the mains and switch on the appliance.

## TROUBLESHOOTING

Symptom	Solution
No operation/no fan,	Check fuse by replacement, Check for safety cut-off operation,
No fire effect light,	Check the LED light with technician.

# DISCLAIMER

## PLEASE READ THE FOLLOWING CAREFULLY

THE MANUFACTURER AND/OR DISTRIBUTOR HAS PROVIDED THE PARTS LIST AND ASSEMBLY DIAGRAM IN THIS MANUAL AS A REFERENCE TOOL ONLY. NEITHER THE MANUFACTURER OR DISTRIBUTOR MAKES ANY REPRESENTATION OR WARRANTY OF ANY KIND TO THE BUYER THAT HE OR SHE IS QUALIFIED TO MAKE ANY REPAIRS TO THE PRODUCT, OR THAT HE OR SHE IS QUALIFIED TO REPLACE ANY PARTS OF THE PRODUCT. IN FACT, THE MANUFACTURER AND/OR DISTRIBUTOR EXPRESSLY STATES THAT ALL REPAIRS AND PARTS REPLACEMENTS SHOULD BE UNDERTAKEN BY CERTIFIED AND LICENSED TECHNICIANS, AND NOT BY THE BUYER. THE BUYER ASSUMES ALL RISK AND LIABILITY ARISING OUT OF HIS OR HER REPAIRS TO THE ORIGINAL PRODUCT OR REPLACEMENT PARTS THERETO, OR ARISING OUT OF HIS OR HER INSTALLATION OF REPLACEMENT PARTS THERETO.

**Record Product's Serial Number Here:** \_\_\_\_\_

**Note:** If product has no serial number, record month and year of purchase instead.

**Note:** Some parts are listed and shown for illustration purposes only and are not available individually as replacement parts.



**SAVE THESE INSTRUCTIONS.**

### Questions, issues or missing parts?

Before returning to your retailer, our customer service team is here to help.



Call Us: 909.628.0880

Email Us: [customer@bartonliving.com](mailto:customer@bartonliving.com)

Hours of Operation: 9am - 3pm PST Monday - Friday

**PRODUCT MADE IN CHINA**