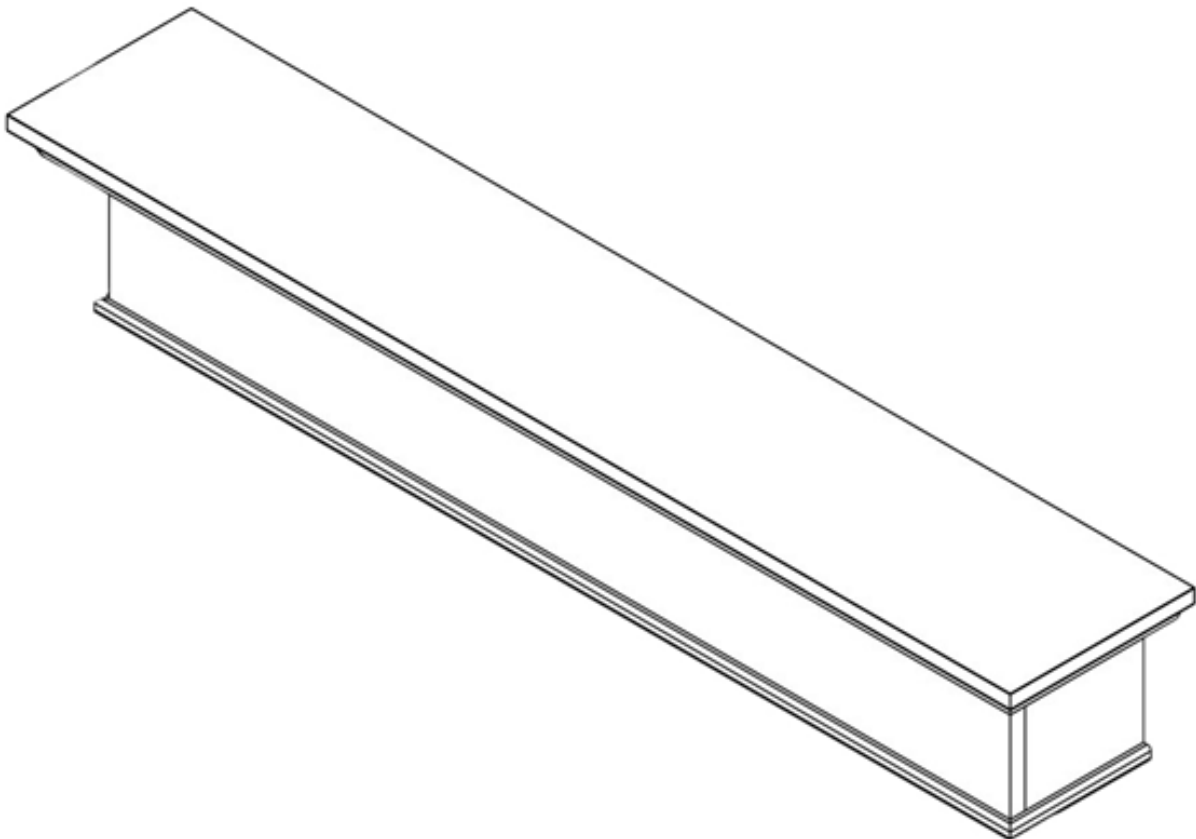


FIREPLACE MANTEL

SKUS:

95154 GREY 48" 95156 GREY 60" 95158 GREY 72"

95155 WHITE 48" 95157 WHITE 60" 95159 WHITE 72"








OWNER'S MANUAL AND SAFETY INSTRUCTIONS

SAVE THIS MANUAL. KEEP THIS MANUAL FOR SAFETY WARNINGS, PRECAUTIONS, ASSEMBLY, OPERATION, INSPECTION, MAINTENANCE AND CLEANING PROCEDURES. WRITE THE PRODUCT'S SERIAL NUMBER ON THE BACK OF THE MANUAL, OR THE MONTH AND YEAR OF PURCHASE IF PRODUCT HAS NO SERIAL NUMBER

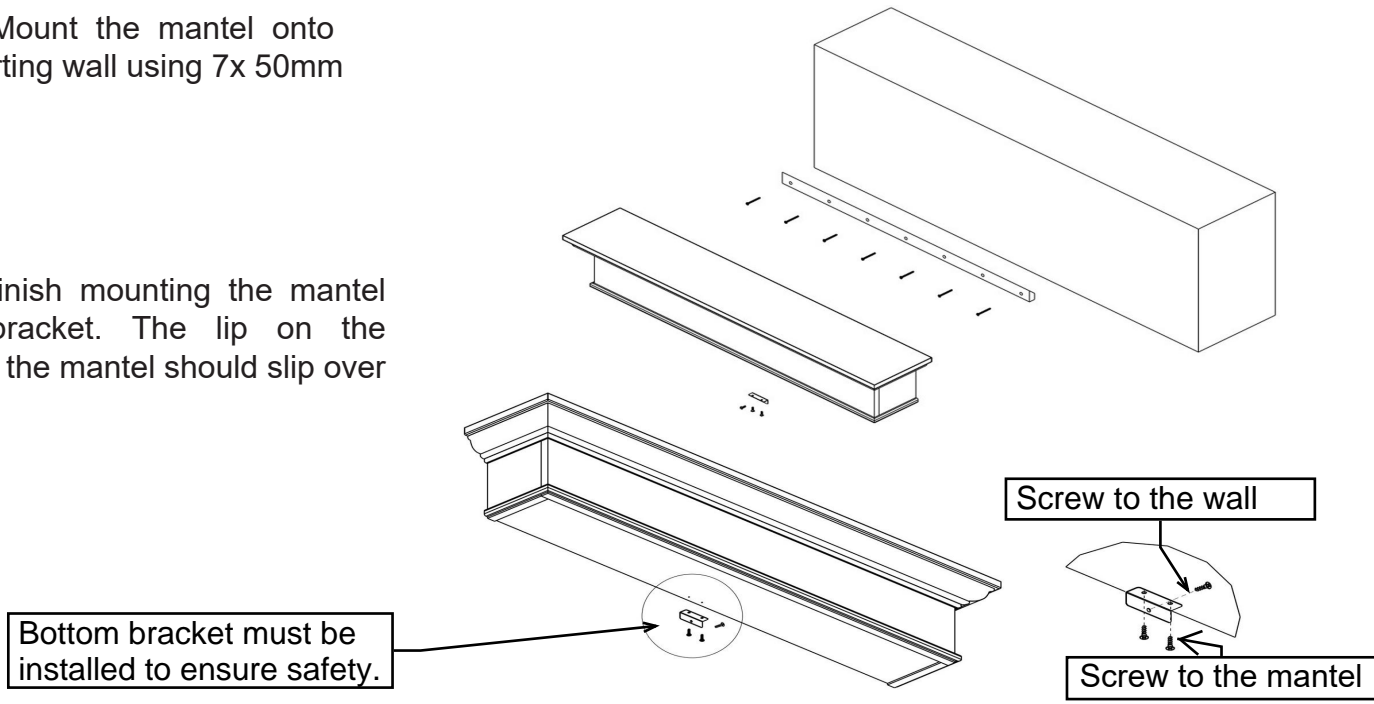
FOR QUESTIONS, PLEASE CALL CUSTOMER SERVICE: 909.628.0880

PARTS LIST AND ASSEMBLY

	1	2	3	4	5
SIZE(L)	Mantel	Bracket	Bottom Bracket	50mm Screw	20mm Screw
					
48Inch	1pcs	1pcs	1pcs	7pcs	3pcs
60Inch	1pcs	1pcs	1pcs	9pcs	3pcs
72Inch	1pcs	1pcs	1pcs	11pcs	3pcs

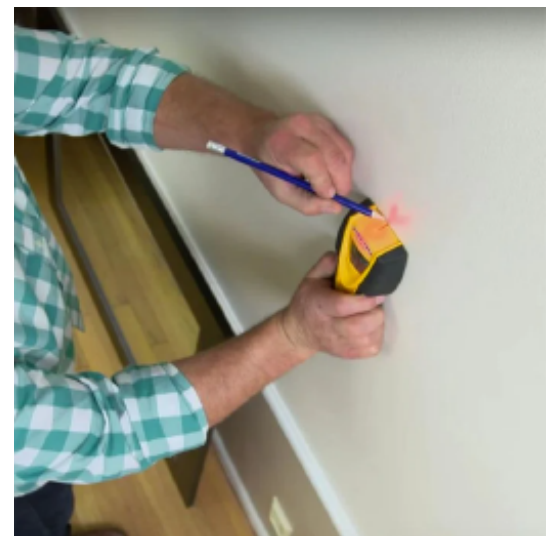
STEP 1: Mount the mantel onto the supporting wall using 7x 50mm screws.

STEP 2: Finish mounting the mantel onto the bracket. The lip on the backside of the mantel should slip over the bracket.



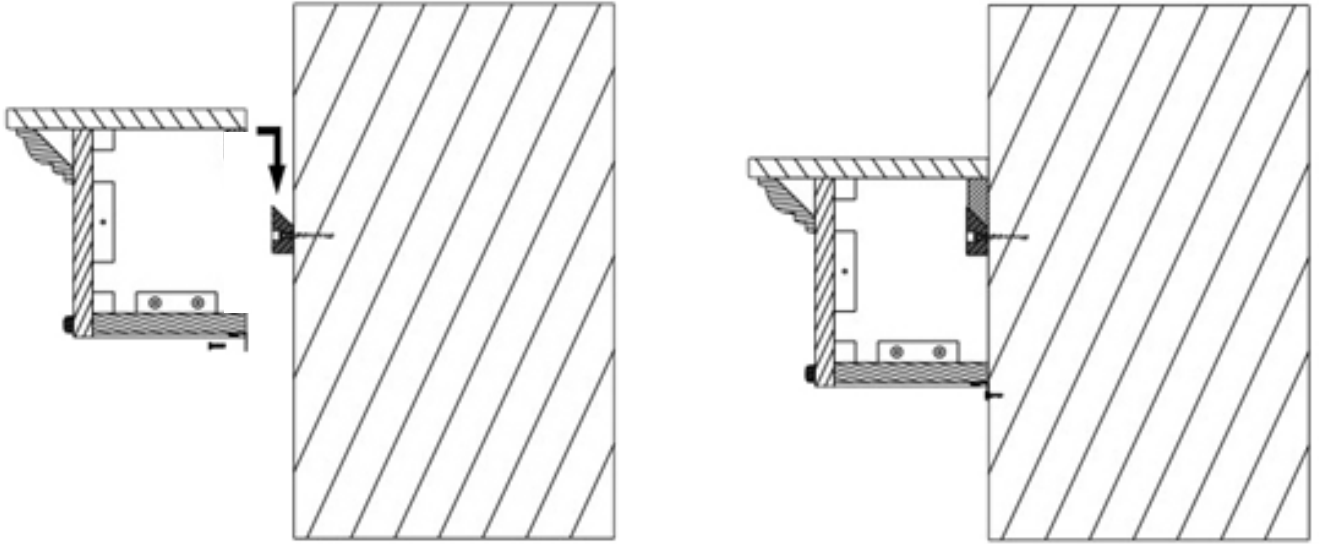
NOTE: Secure the mantel onto the wall by finding the wood studs within the wall and screwing into the wood studs. Do not screw into drywall alone as it is not secure and may falter under the weight of the mantel.

Use a stud finder to locate the studs in the wall. If you are unsure where to find the studs, consult with a professional before installing the mantel.



ASSEMBLY AND SAFETY

CAUTION: Confirm that the mantel is secured and does not bend or give under pressure before placing anything onto the mantel.



CAUTION: Do not allow anyone to hang off of the mantel.

CAUTION: Before installing into the wall, confirm there is no electrical wiring or components behind the wall prior to drilling.

DISCLAIMER

PLEASE READ THE FOLLOWING CAREFULLY

THE MANUFACTURER AND/OR DISTRIBUTOR HAS PROVIDED THE PARTS LIST AND ASSEMBLY DIAGRAM IN THIS MANUAL AS A REFERENCE TOOL ONLY. NEITHER THE MANUFACTURER OR DISTRIBUTOR MAKES ANY REPRESENTATION OR WARRANTY OF ANY KIND TO THE BUYER THAT HE OR SHE IS QUALIFIED TO MAKE ANY REPAIRS TO THE PRODUCT, OR THAT HE OR SHE IS QUALIFIED TO REPLACE ANY PARTS OF THE PRODUCT. IN FACT, THE MANUFACTURER AND/OR DISTRIBUTOR EXPRESSLY STATES THAT ALL REPAIRS AND PARTS REPLACEMENTS SHOULD BE UNDERTAKEN BY CERTIFIED AND LICENSED TECHNICIANS, AND NOT BY THE BUYER. THE BUYER ASSUMES ALL RISK AND LIABILITY ARISING OUT OF HIS OR HER REPAIRS TO THE ORIGINAL PRODUCT OR REPLACEMENT PARTS THERETO, OR ARISING OUT OF HIS OR HER INSTALLATION OF REPLACEMENT PARTS THERETO.

Record Product's Serial Number Here: _____

Note: If product has no serial number, record month and year of purchase instead.

Note: Some parts are listed and shown for illustration purposes only and are not available individually as replacement parts.

The material in this manual is for informational purposes only. The product(s) it describes are subject to change without prior notice, due to the manufacturer's continuous development program. XtremePowerUS makes no representations or warranties with respect to this manual or with respect to the products described herein. XtremePowerUS shall not be liable for any damages, losses, costs or expenses, direct, indirect or incidental, consequential or special, arising out of, or related to the use of this material or the products described herein.

Questions, issues or missing parts?

Before returning to your retailer, our customer service team is here to help.



Call Us: 909.628.0880

Email Us: customer@bartonliving.com

Hours of Operation: 9am - 3pm PST Monday - Friday

MADE IN CHINA